



US00D945979S

(12) **United States Design Patent**
Lu et al.

(10) **Patent No.: US D945,979 S**
(45) **Date of Patent: ** *Mar. 15, 2022**

(54) **WIRELESS SPEAKER**

FOREIGN PATENT DOCUMENTS

(71) Applicant: **Amazon Technologies, Inc.**, Seattle, WA (US)

CN 306367931 * 3/2021
CN 306422050 * 3/2021

(Continued)

(72) Inventors: **Wen-Yo Lu**, Pasadena, CA (US);
Matthew J. England, Santa Monica, CA (US)

OTHER PUBLICATIONS

(73) Assignee: **Amazon Technologies, Inc.**, Seattle, WA (US)

Amazon and Apple Built . . . , May 7, 2021, [retrieved Jun. 1, 2021], Retrieved from Internet, URL: <<https://www.wsj.com/articles/amazon-apple-wireless-networks-sidewalk-find-my-11620397704>> (Year: 2021).*

(*) Notice: This patent is subject to a terminal disclaimer.

(Continued)

(**) Term: **15 Years**

Primary Examiner — Barbara Fox
Assistant Examiner — Aram Kwon

(21) Appl. No.: **29/718,163**

(74) *Attorney, Agent, or Firm* — Lee & Hayes, P.C.

(22) Filed: **Dec. 20, 2019**

(51) **LOC (13) Cl.** **14-01**

(52) **U.S. Cl.**
USPC **D14/204**

(58) **Field of Classification Search**
USPC D14/155–159, 160–173, 187–188,
D14/203.1–203.8, 204–216, 217–222,
D14/225–229, 356–358, 361, 362, 365,
D14/367, 370, 388, 496; D13/103,
D13/107–108

CPC H04R 1/02; H04R 1/021; H04R 1/025;
H04R 1/026; H04R 1/028; H04R 1/06;
H04R 1/105; H04R 1/323; H04R 1/403;
H04R 1/2803; H04R 1/2834

See application file for complete search history.

(57) **CLAIM**

The ornamental design for a wireless speaker, as shown and described.

DESCRIPTION

FIG. 1 is a top, front, right-side perspective view of a wireless speaker.
FIG. 2 is a bottom, front, left-side perspective view thereof;
FIG. 3 is a top, back, right-side perspective view thereof;
FIG. 4 is a front view thereof;
FIG. 5 is a back view thereof;
FIG. 6 is a left-side view thereof;
FIG. 7 is a right-side view thereof;
FIG. 8 is a top view thereof; and,
FIG. 9 is a bottom view thereof.

The crosshatched pattern represents a woven fabric and is understood to be distributed uniformly over the surface of the claimed design upon which the pattern occurs.

The dashed broken lines depict portions of the wireless speaker that form no part of the claimed design.

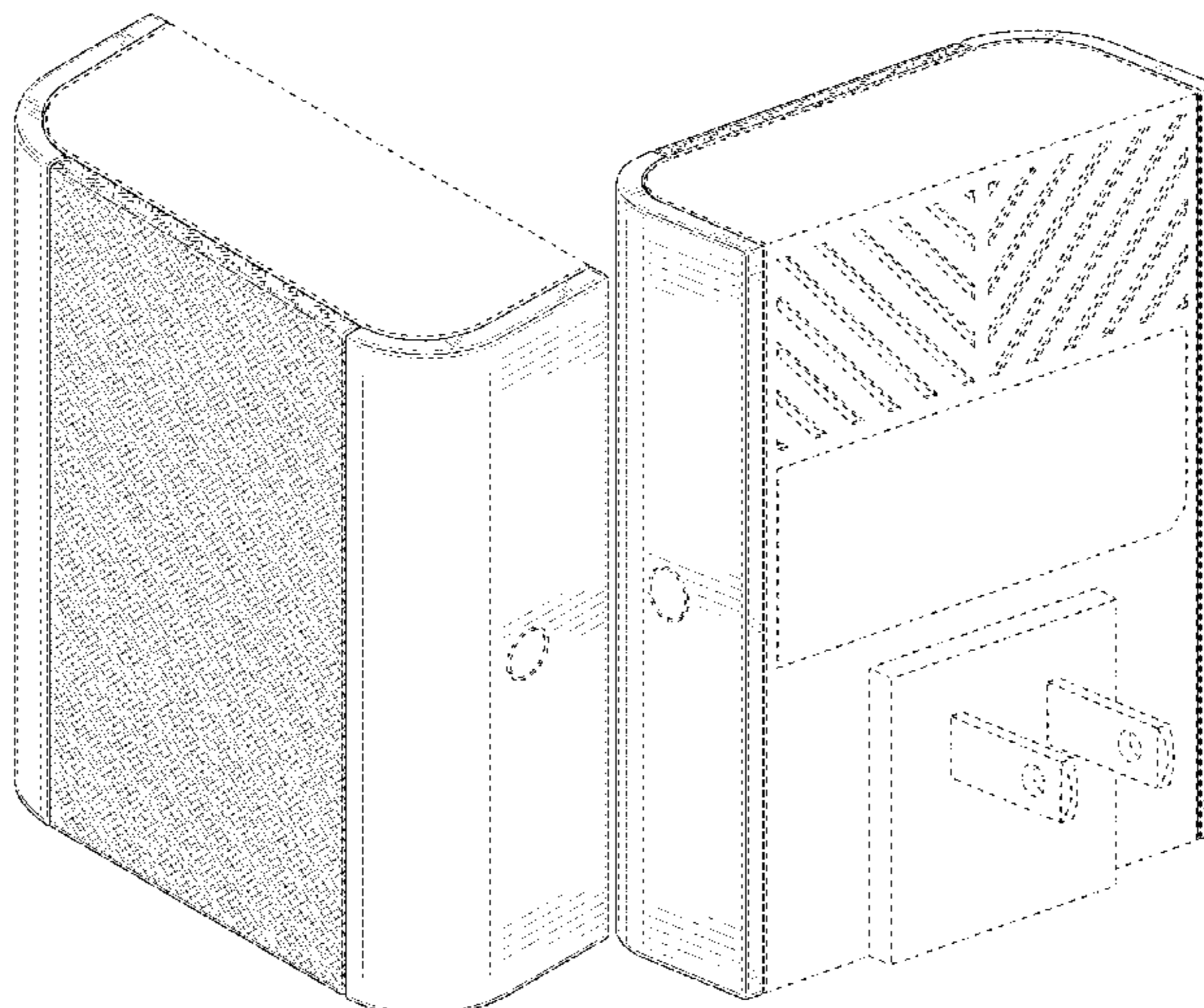
(56) **References Cited**

U.S. PATENT DOCUMENTS

D521,447 S * 5/2006 Ono D13/103
D537,070 S * 2/2007 Warden D14/214
D548,724 S * 8/2007 Hakoda D14/211
D548,725 S * 8/2007 Hakoda D14/214
D554,618 S * 11/2007 Sogabe D14/214

(Continued)

1 Claim, 9 Drawing Sheets



(56)

References Cited

U.S. PATENT DOCUMENTS

D565,541	S	*	4/2008	Han	D14/211
D565,544	S	*	4/2008	Han	D14/214
D634,269	S	*	3/2011	Griffin, Jr.	D13/108
D695,717	S	*	12/2013	Carpenter	D14/221
D728,477	S	*	5/2015	Meyer	D13/123
D737,758	S	*	9/2015	Takeshita	D13/103
10,304,296	B2	*	5/2019	Tso	H03K 17/962
D860,176	S	*	9/2019	Siminoff	D14/240
D866,381	S	*	11/2019	Siminoff	D10/120
10,499,011	B2	*	12/2019	Siminoff	H04M 11/025
D901,471	S	*	11/2020	Siminoff	D14/240
D902,925	S	*	11/2020	Li	D14/358
D924,135	S	*	7/2021	England	D13/110

FOREIGN PATENT DOCUMENTS

JP	2020011399	A	1/2020
JP	2020011400	A	1/2020
JP	2020011401	A	1/2020
JP	2020011402	A	1/2020
JP	2020011403	A	1/2020
JP	2020011537	A	1/2020
JP	2020011538	A	1/2020
JP	2020011539	A	1/2020
JP	2020011540	A	1/2020
JP	2020011541	A	1/2020
JP	D1680869	*	3/2021
JP	D1680870	*	3/2021
JP	D1680917	*	3/2021
JP	D1680918	*	3/2021

OTHER PUBLICATIONS

Amazon's Echo Flex . . . , Dec. 9, 2019, [retrieved Jun. 1, 2021],
Retrieved from Internet URL; <<https://www.theverge.com/2019/12/>

9/21001146/amazon-echo-flex-alexa-smart-speaker-review-price-specs-features> (Year: 2019).*

The Chinese Office Action dated Sep. 10, 2020 for Chinese Patent Application No. 202030306294.7, a counterpart of the U.S. Appl. No. 29/718,163, 1 page.

The Japanese Office Action dated Aug. 25, 2020 for Japanese Design Application No. 2020-011537, a counterpart foreign application of the Design U.S. Appl. No. 29/718,163, 2 pages.

The Japanese Office Action dated Aug. 25, 2020 for Japanese Design Application No. 2020-011538, a counterpart foreign application of the Design U.S. Appl. No. 29/718,163, 2 pages.

The Japanese Office Action dated Aug. 25, 2020 for Japanese Design Application No. 2020-011539, a counterpart foreign application of the Design U.S. Appl. No. 29/718,163, 2 pages.

The Japanese Office Action dated Aug. 25, 2020 for Japanese Design Application No. 2020-011540, a counterpart foreign application of the Design U.S. Appl. No. 29/718,163, 2 pages.

The Japanese Office Action dated Aug. 25, 2020 for Japanese Design Application No. 2020-011541, a counterpart foreign application of the Design U.S. Appl. No. 29/718,163, 2 pages.

The Japanese Office Action dated Aug. 25, 2020 for Japanese Design Application No. 2020-011399, a counterpart foreign application of the Design U.S. Appl. No. 29/718,169, 2 pages.

The Japanese Office Action dated Aug. 25, 2020 for Japanese Design Application No. 2020-011400, a counterpart foreign application of the Design U.S. Appl. No. 29/718,169, 2 pages.

The Japanese Office Action dated Aug. 25, 2020 for Japanese Design Application No. 2020-011401, a counterpart foreign application of the Design U.S. Appl. No. 29/718,169, 2 pages.

The Japanese Office Action dated Aug. 25, 2020 for Japanese Design Application No. 2020-011402, a counterpart foreign application of the Design U.S. Appl. No. 29/718,169, 2 pages.

The Japanese Office Action dated Aug. 25, 2020 for Japanese Design Application No. 2020-011403, a counterpart foreign application of the Design U.S. Appl. No. 29/718,169, 2 pages.

Office Action for U.S. Appl. No. 29/718,169, dated Jun. 10, 2021, Lu, "Wireless Speaker and Range Extender Device", 10 pages.

* cited by examiner

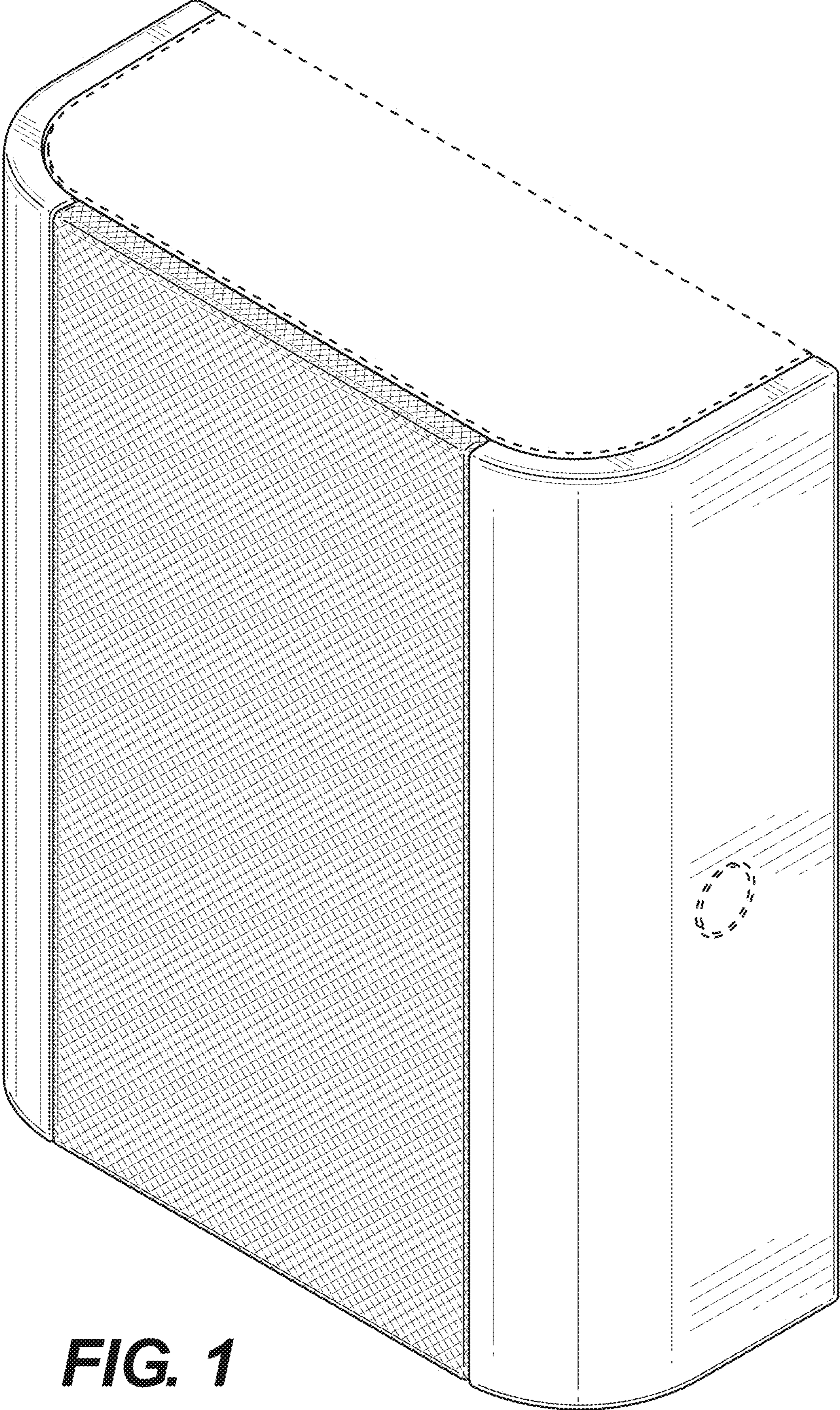


FIG. 1

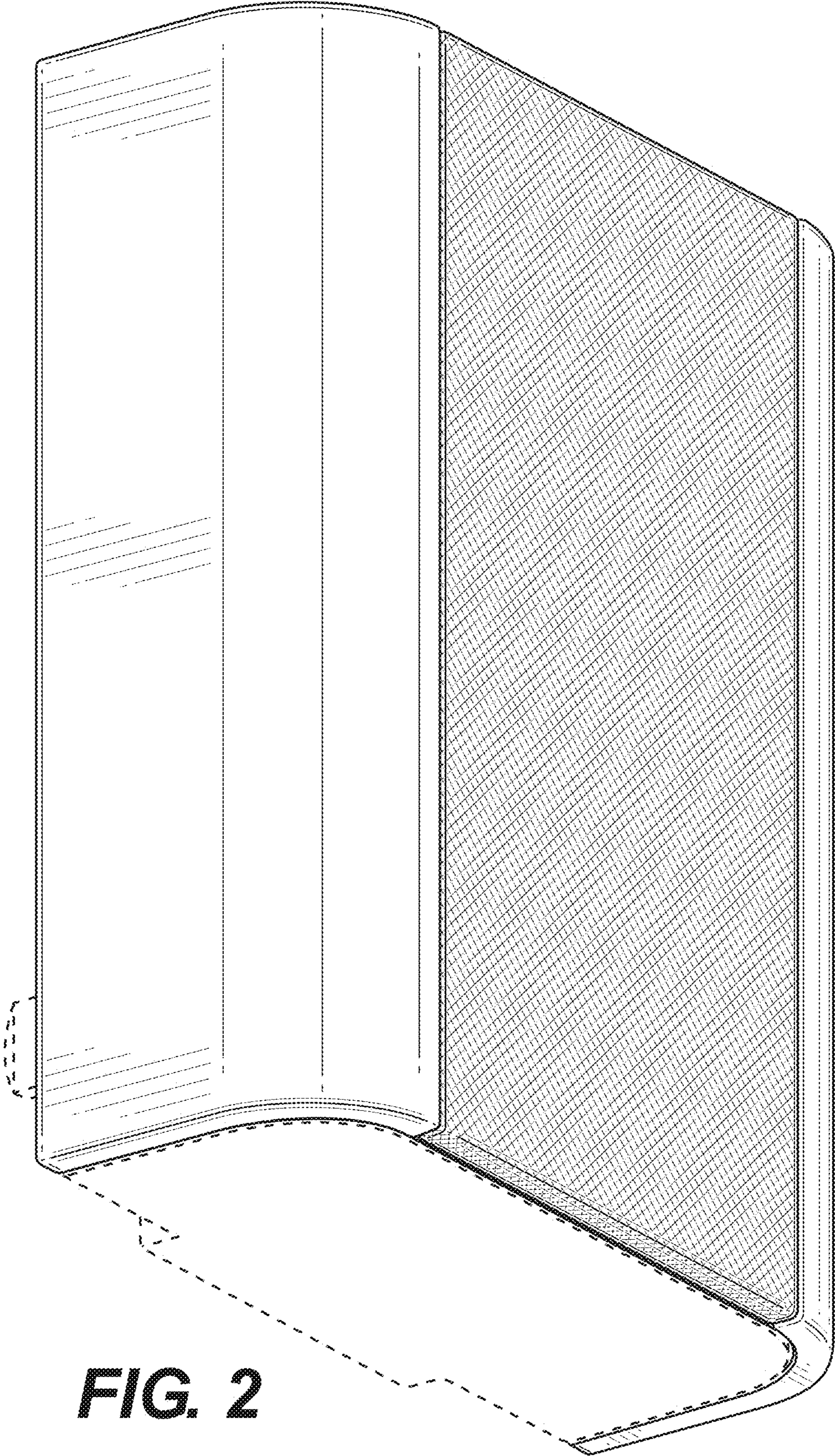


FIG. 2

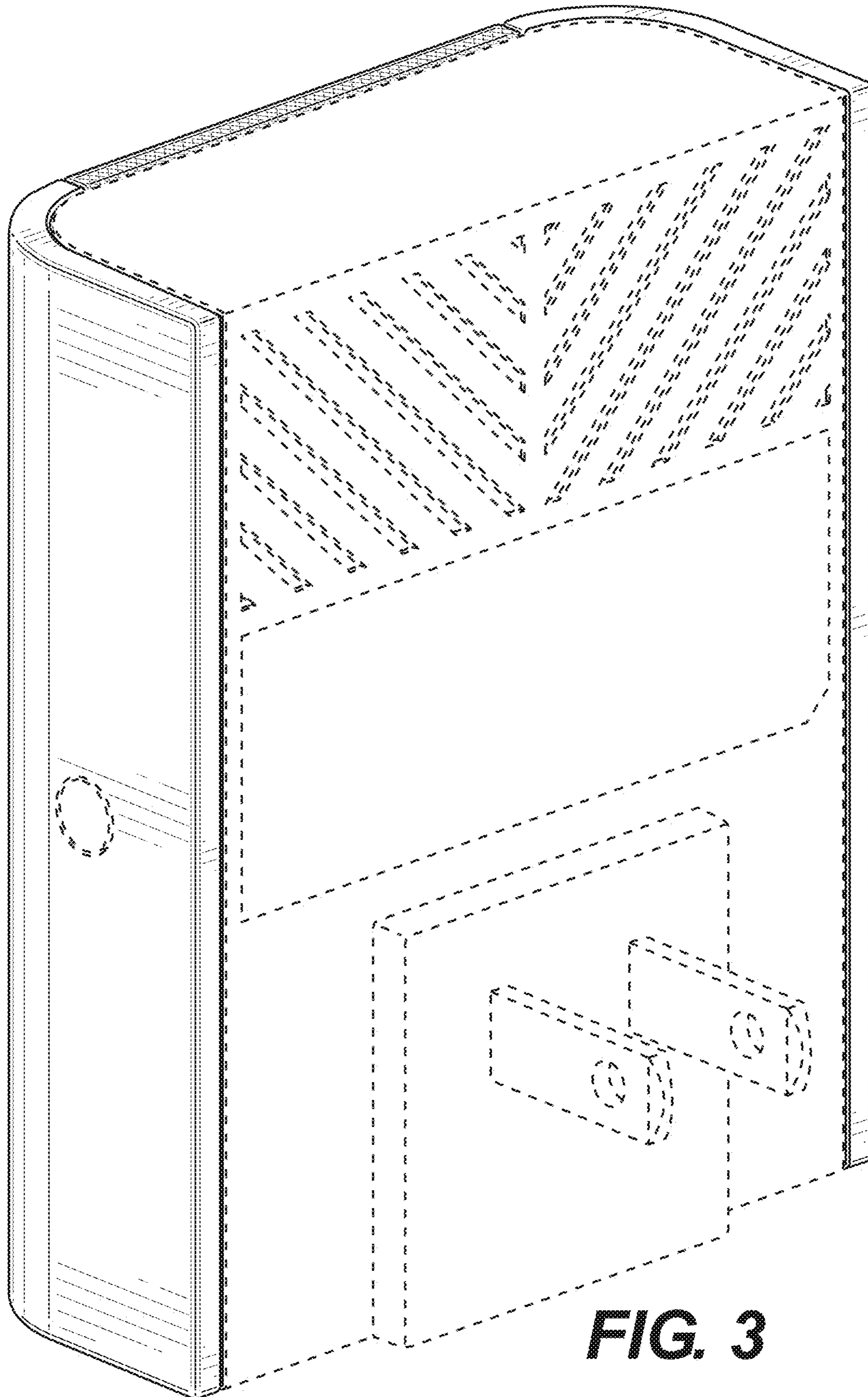


FIG. 3

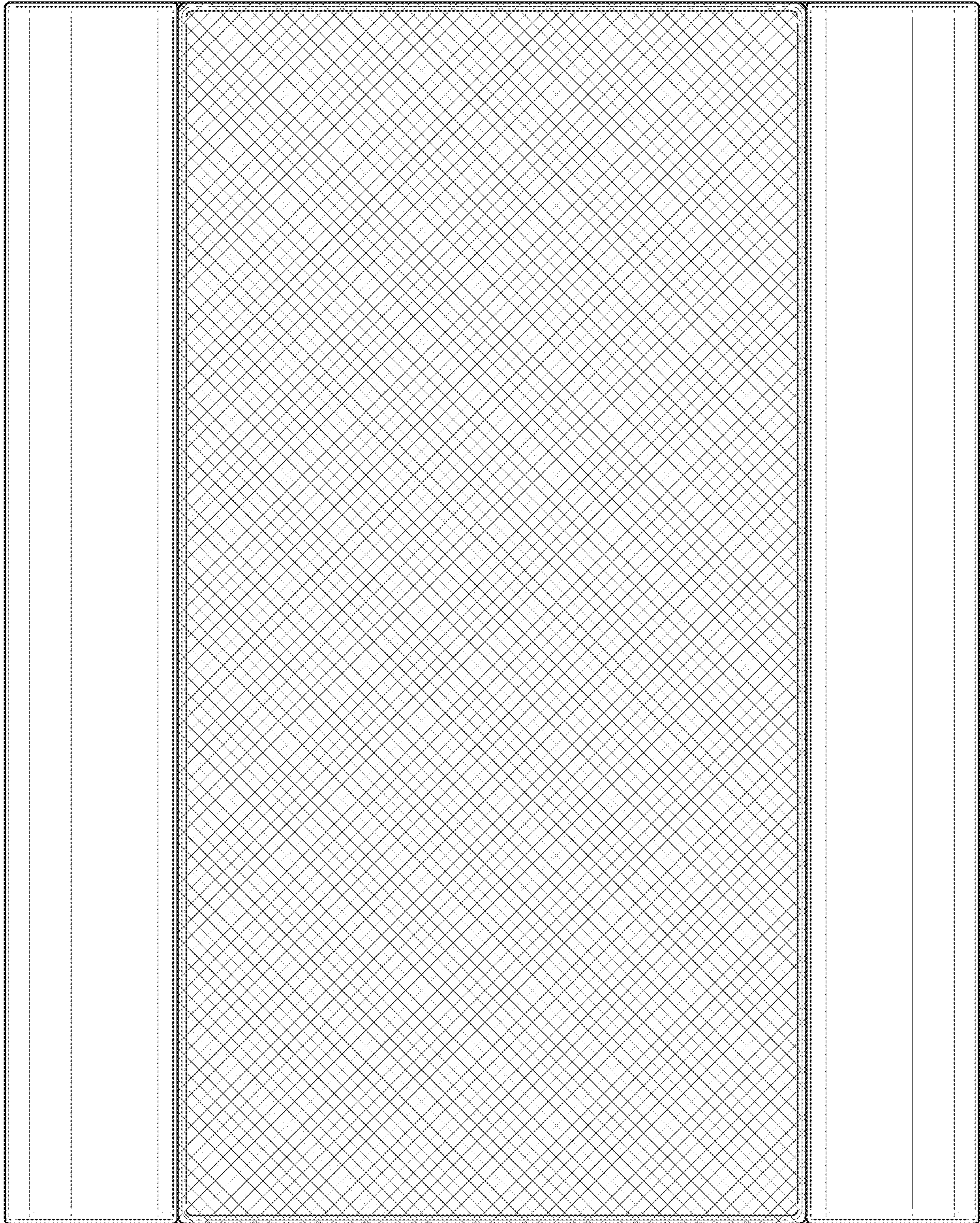


FIG. 4

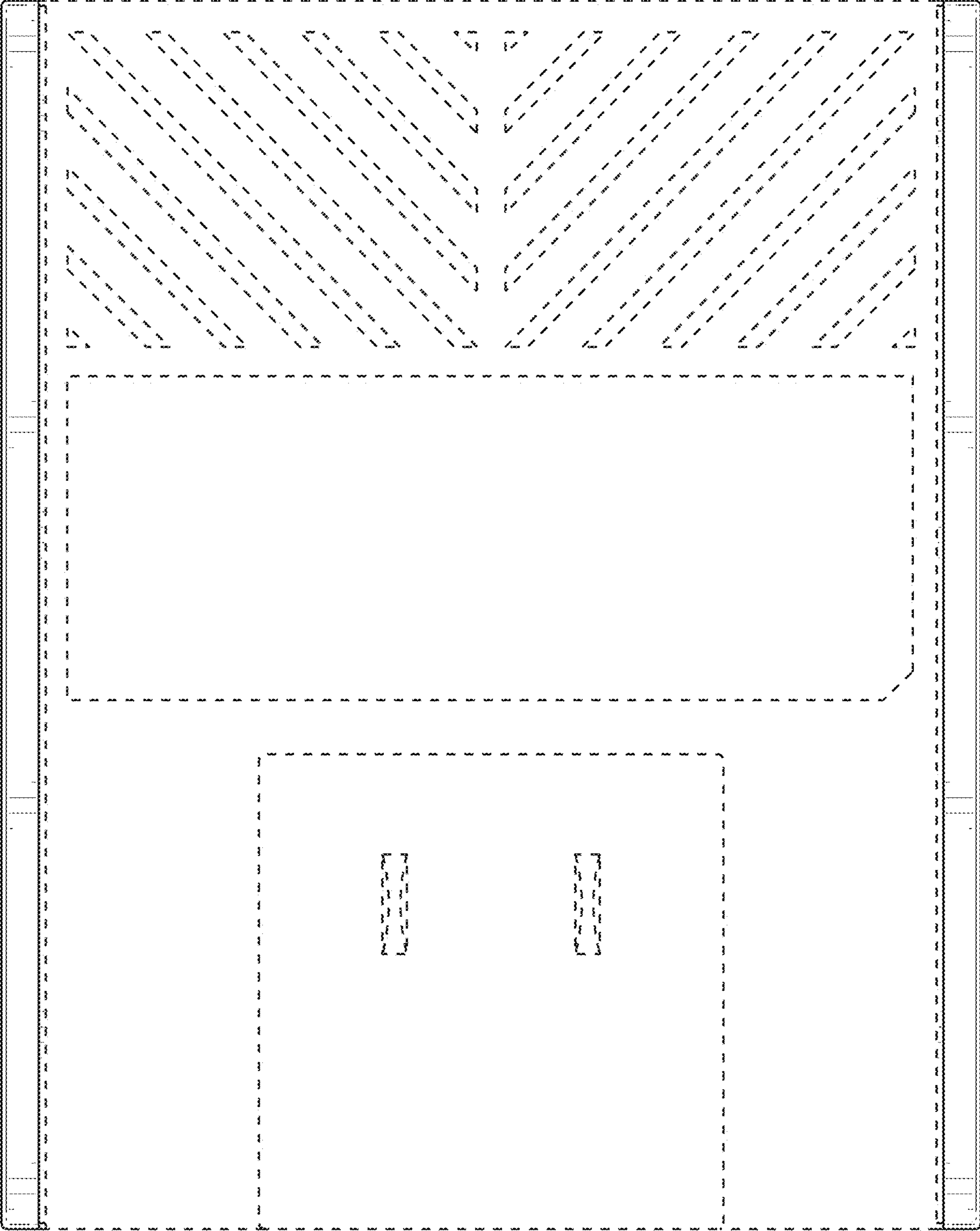


FIG. 5

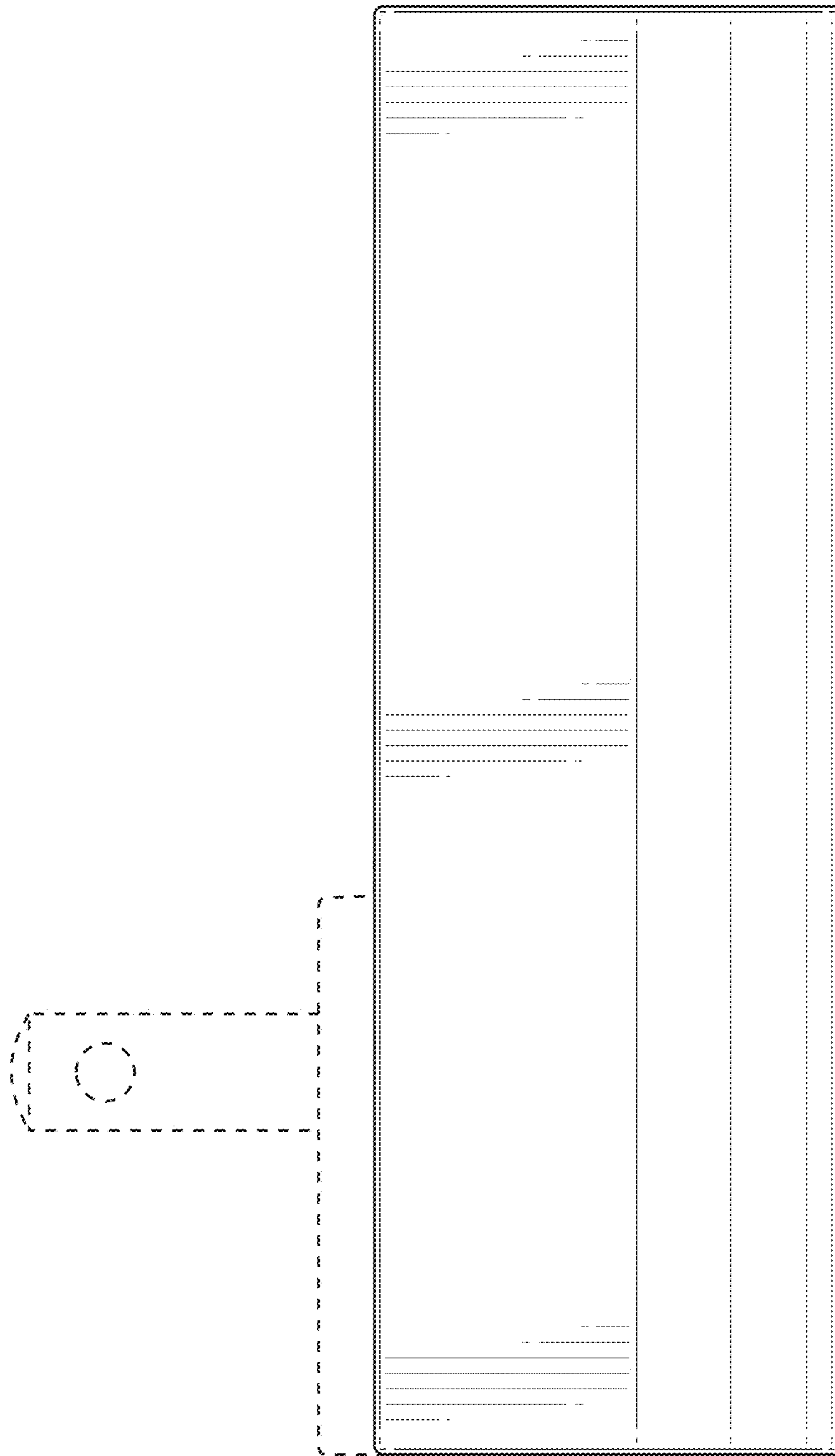


FIG. 6

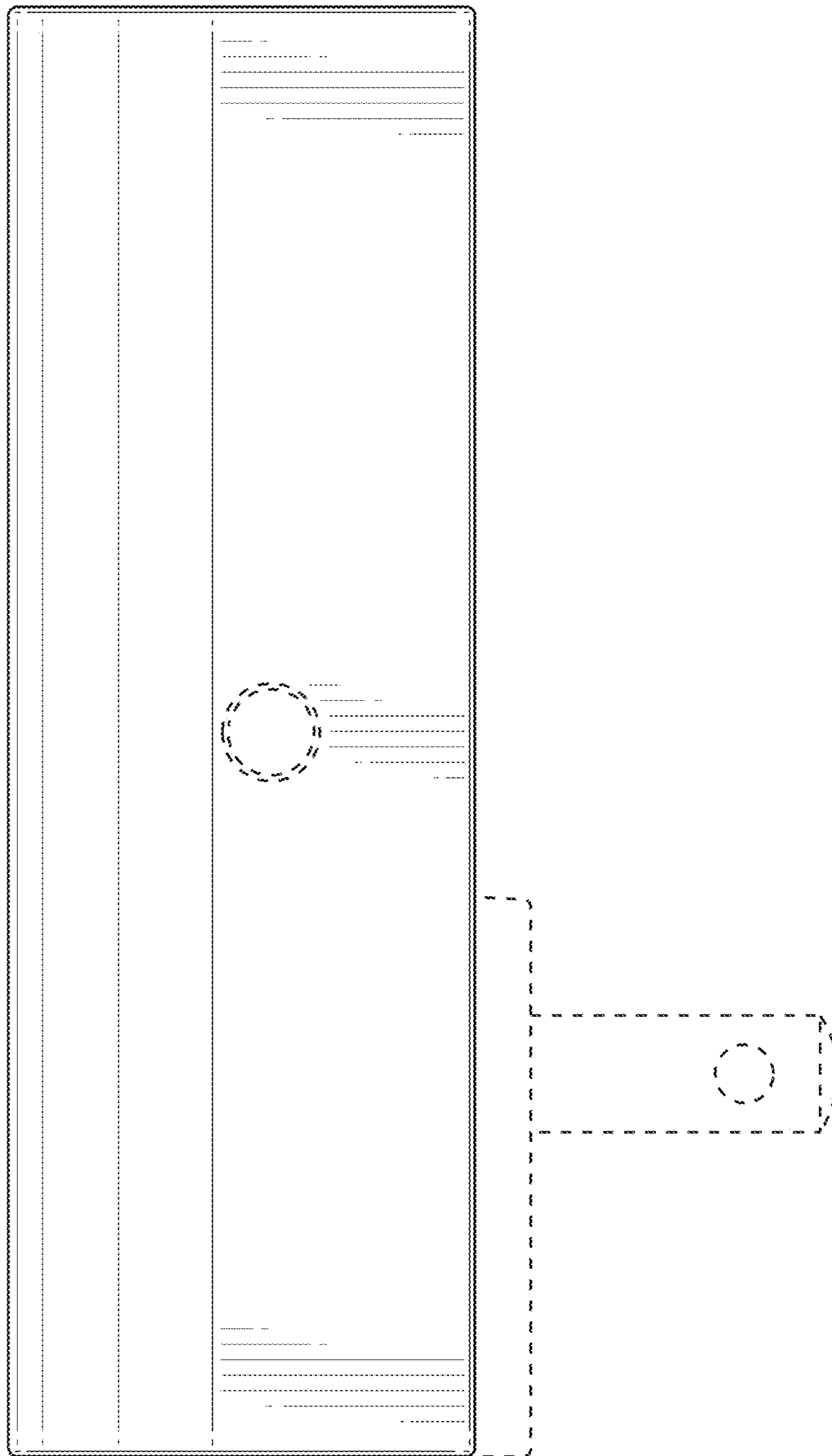


FIG. 7

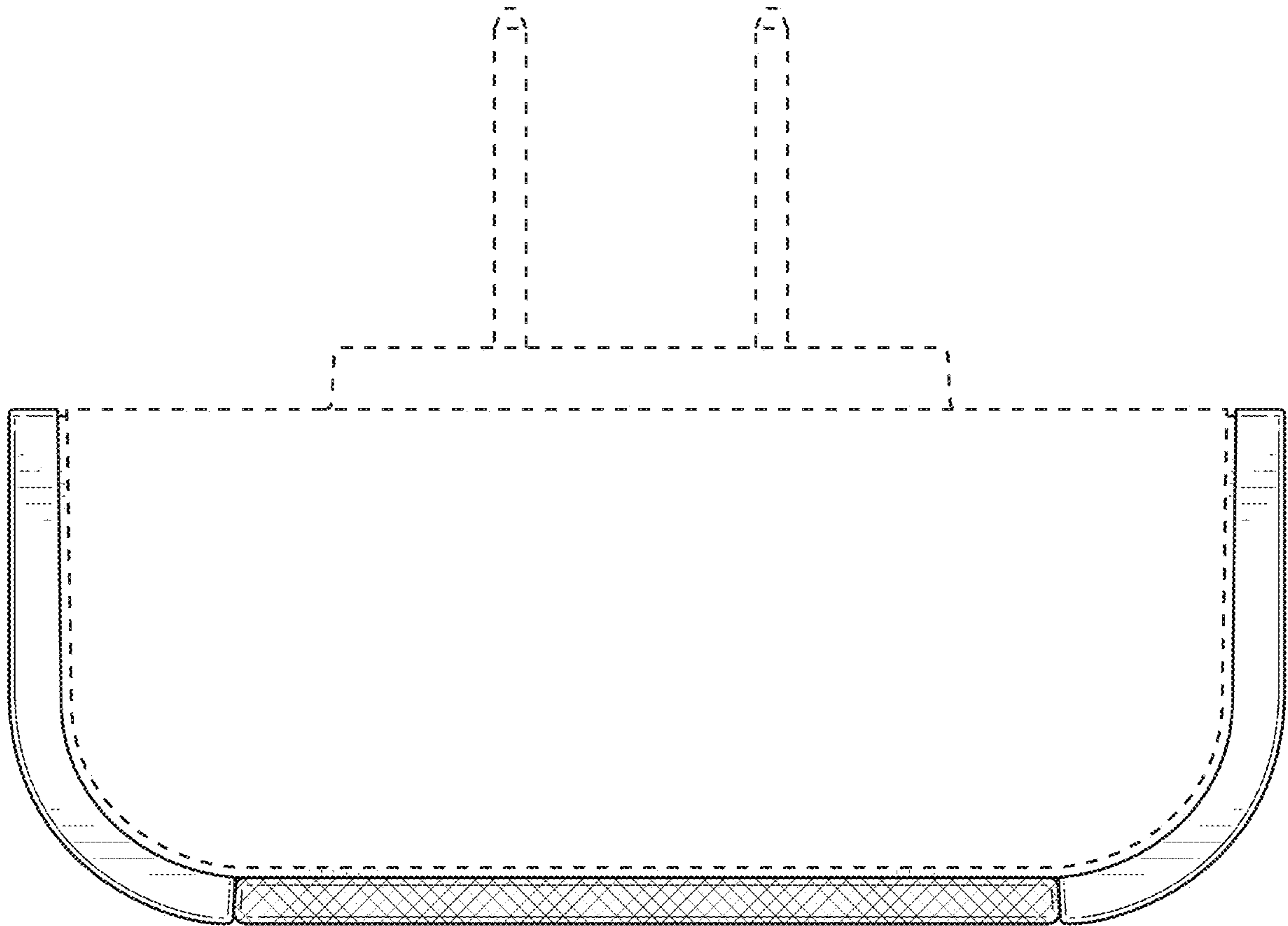


FIG. 8

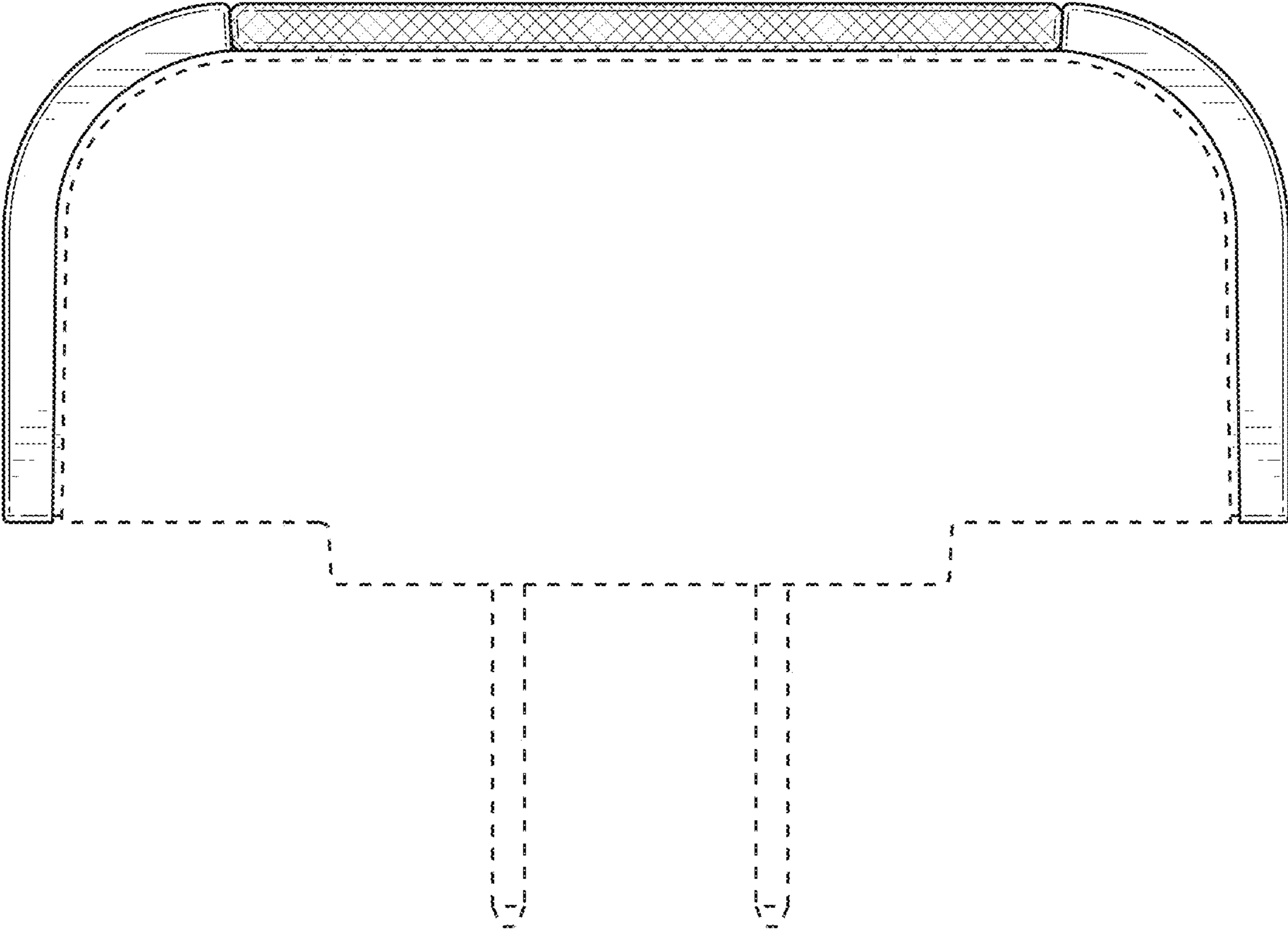


FIG. 9