



US00D945969S

(12) **United States Design Patent**
Yamanaka et al.

(10) **Patent No.:** **US D945,969 S**
(45) **Date of Patent:** **** Mar. 15, 2022**

(54) **CONVERSION ADAPTER FOR ELECTRICAL CONNECTION**

(71) Applicant: **HOSIDEN CORPORATION**, Osaka (JP)

(72) Inventors: **Satoshi Yamanaka**, Osaka (JP);
Masanori Inoue, Osaka (JP)

(73) Assignee: **Hosiden Corporation**, Osaka (JP)

(**) Term: **15 Years**

(21) Appl. No.: **29/719,227**

(22) Filed: **Jan. 2, 2020**

(30) **Foreign Application Priority Data**

Jul. 4, 2019 (JP) 2019-015112

(51) **LOC (13) Cl.** **13-03**

(52) **U.S. Cl.**
USPC **D13/147**

(58) **Field of Classification Search**
USPC D13/110, 118, 123, 133, 146, 147, 149,
D13/153, 154, 173, 184, 199
CPC H01R 13/00; H01R 13/502; H01R 13/525;
H01R 13/58; H01R 24/00; H01R 24/58;
H01R 24/60; H01R 29/00
See application file for complete search history.

(56) **References Cited**

U.S. PATENT DOCUMENTS

D495,299 S * 8/2004 Saito D13/147
D496,631 S * 9/2004 Wu D13/133
6,964,526 B2 * 11/2005 Mine G02B 6/3847
385/78
D531,118 S * 10/2006 Krieger D14/435.1
D544,479 S * 6/2007 Chen D14/480.4
D686,987 S * 7/2013 Vanstone D13/108

D689,433 S * 9/2013 Wang D13/110
D702,246 S * 4/2014 Hoffart D14/480.1
D910,556 S * 2/2021 Huang D13/110
D928,097 S * 8/2021 Obata D13/147
2007/0093106 A1 * 4/2007 Lu H01R 24/58
439/188
2016/0372857 A1 * 12/2016 Wu H01R 13/5825
2021/0006005 A1 * 1/2021 Yamanaka H01R 13/5202

* cited by examiner

Primary Examiner — Shawn T Gingrich

(74) *Attorney, Agent, or Firm* — Dilworth & Barrese, LLP

(57) **CLAIM**

The ornamental design for a conversion adapter for electrical connection, as shown and described.

DESCRIPTION

FIG. 1 is front elevational view of a conversion adapter for electrical connection showing my new design;
FIG. 2 is a rear elevational view thereof;
FIG. 3 is a left side elevational view thereof;
FIG. 4 is a right side elevational view thereof;
FIG. 5 is a top plan view thereof;
FIG. 6 is a bottom plan view thereof;
FIG. 7 is a front, left side, top perspective view thereof;
FIG. 8 is a front, left side, bottom perspective view thereof;
FIG. 9 is a front, right side, top perspective view thereof;
FIG. 10 is a front, right side, bottom perspective view thereof;
FIG. 11 is a rear, right side, top perspective view thereof;
FIG. 12 is a rear, right side, bottom perspective view thereof;
FIG. 13 is a rear, left side, top perspective view thereof; and,
FIG. 14 is a rear, left side, bottom perspective view thereof.
The broken lines in the drawings illustrate portions of the conversion adapter for electrical connection that form no part of the claimed design.

1 Claim, 14 Drawing Sheets

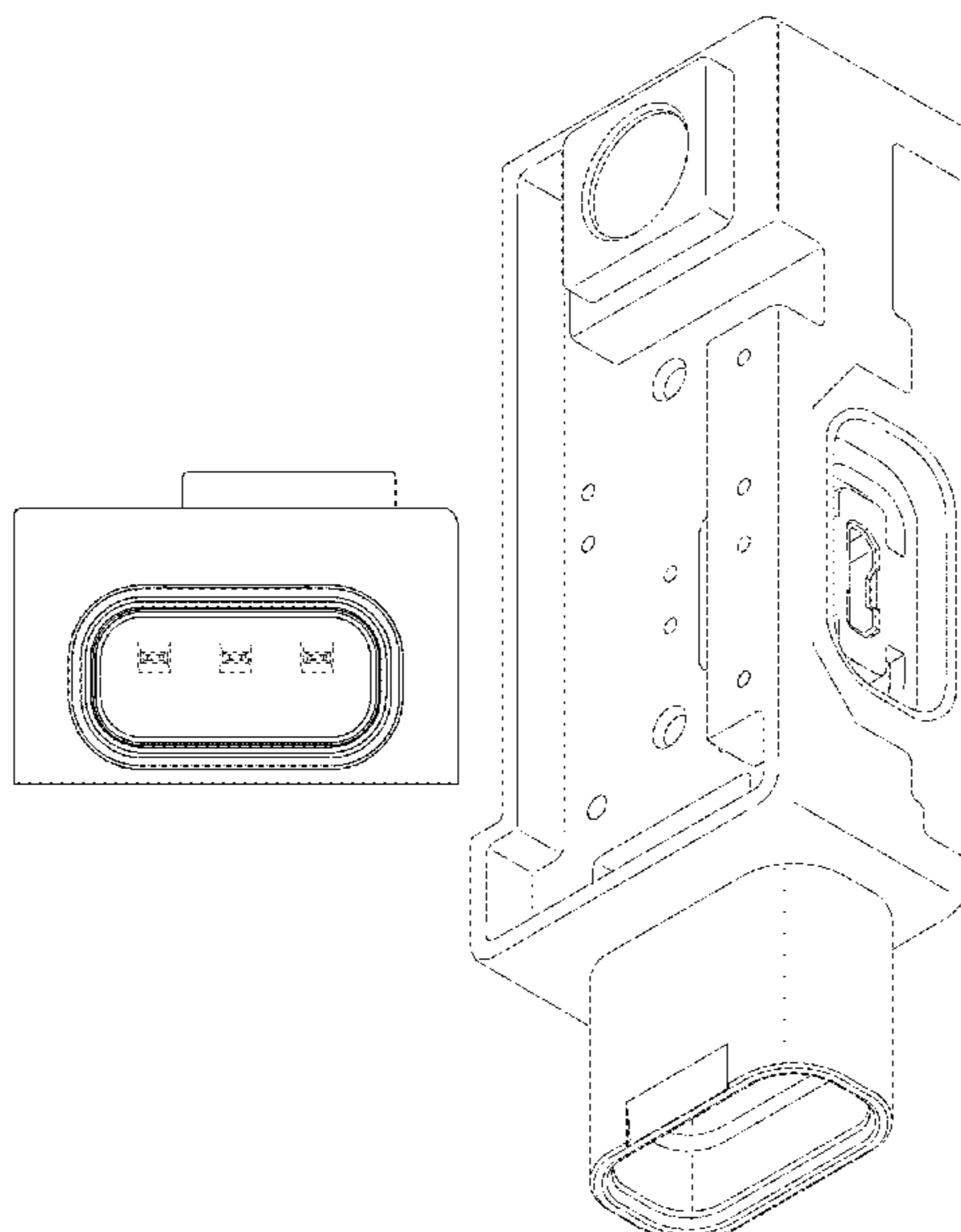


Fig. 1

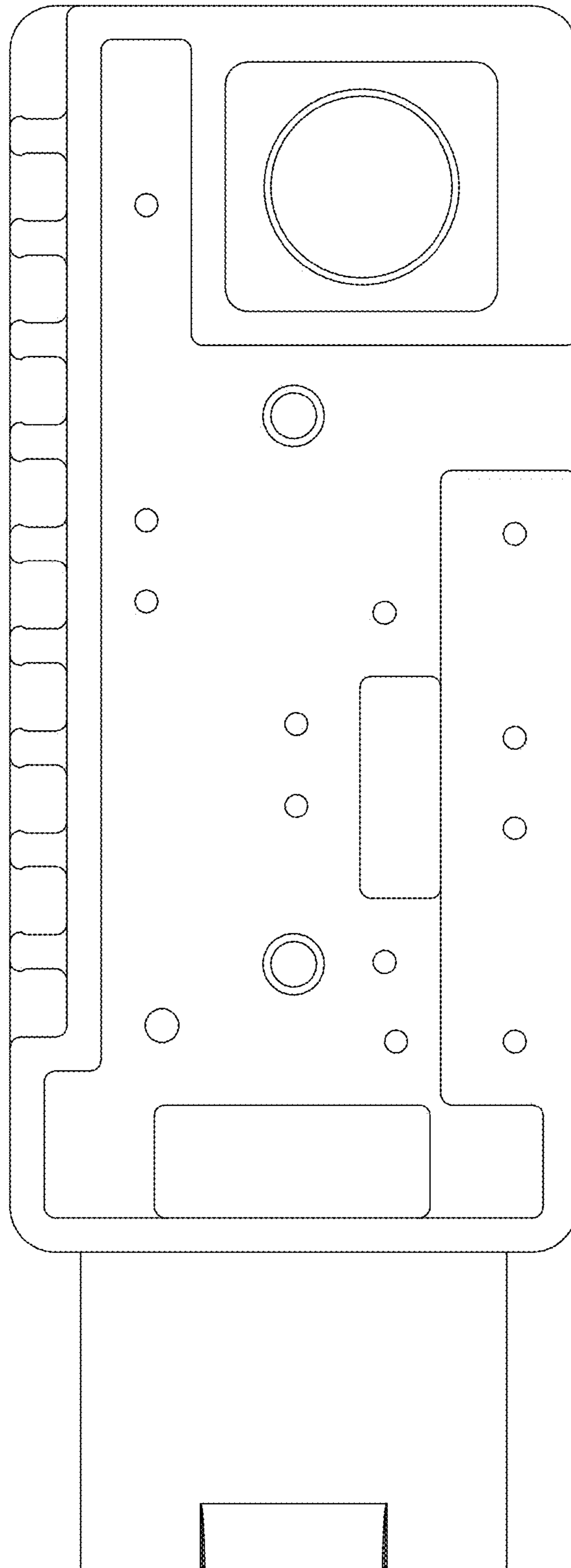


Fig. 2

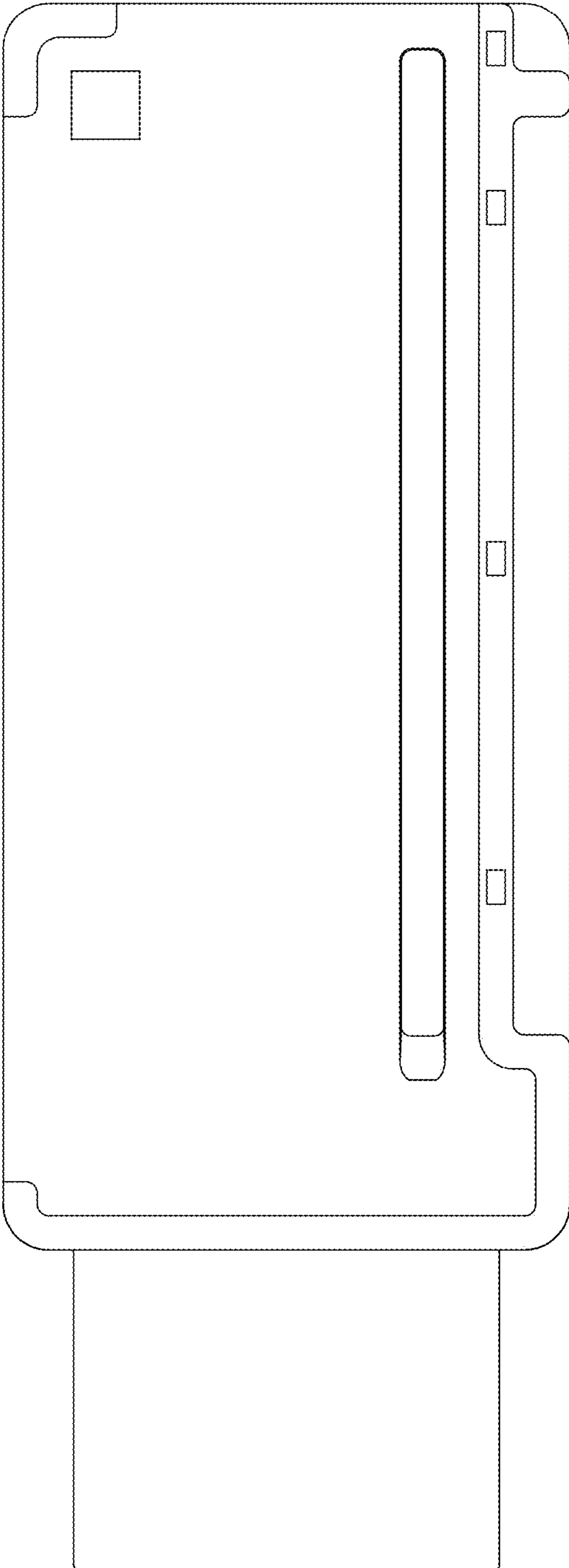


Fig. 3

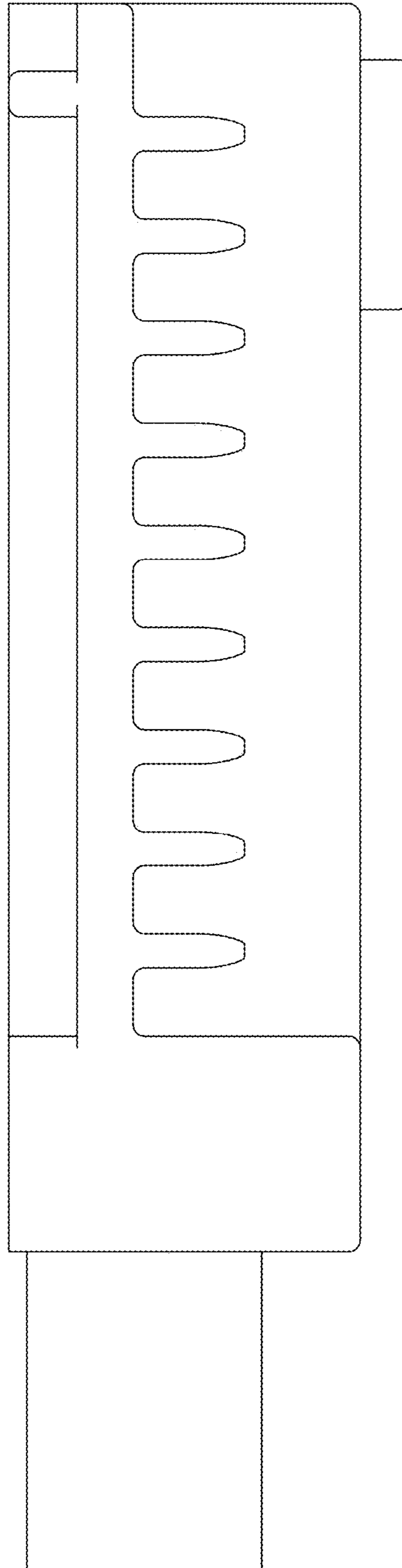


Fig. 4

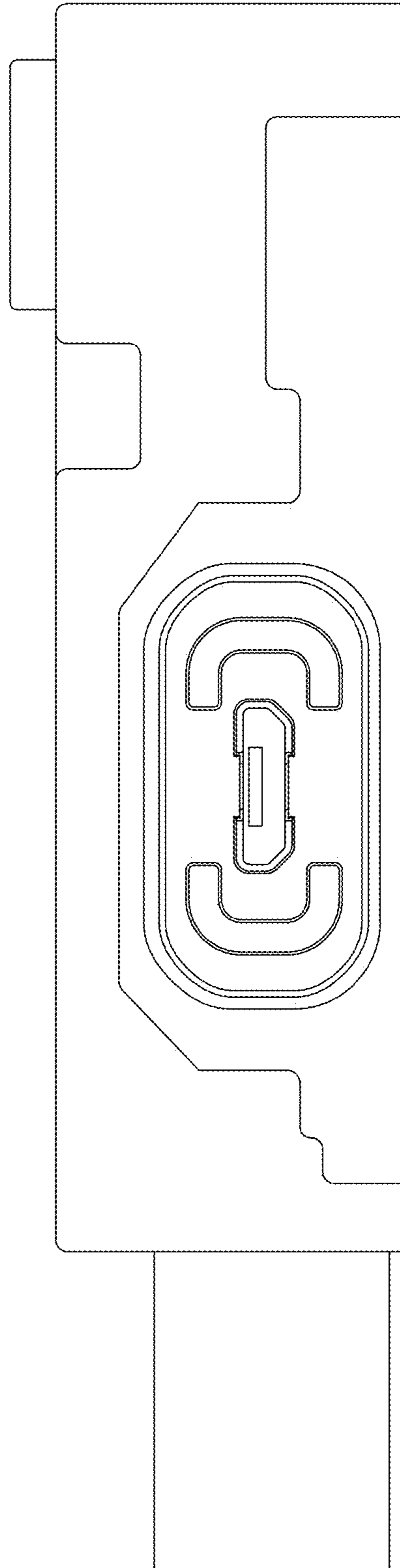


Fig. 5

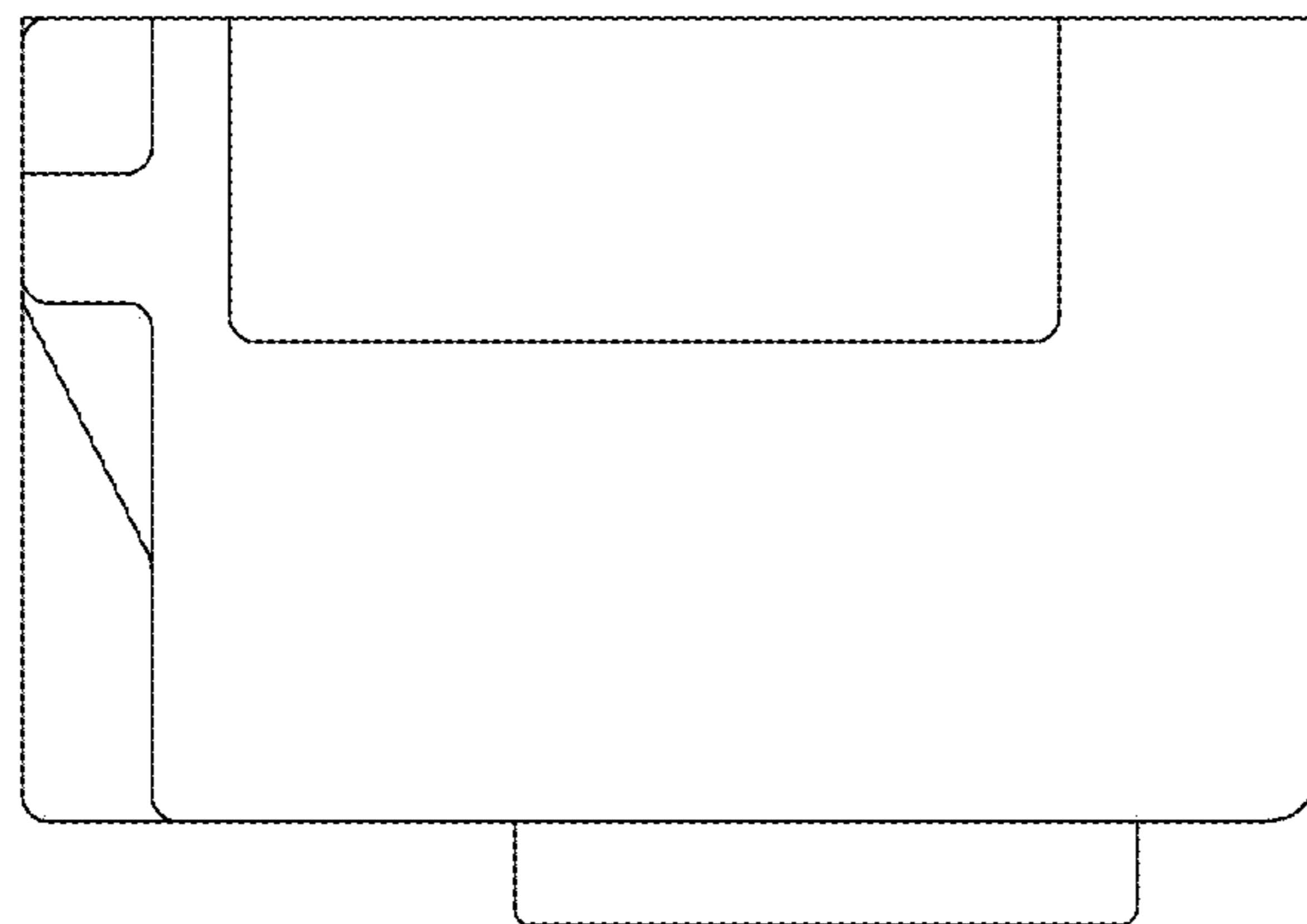


Fig. 6

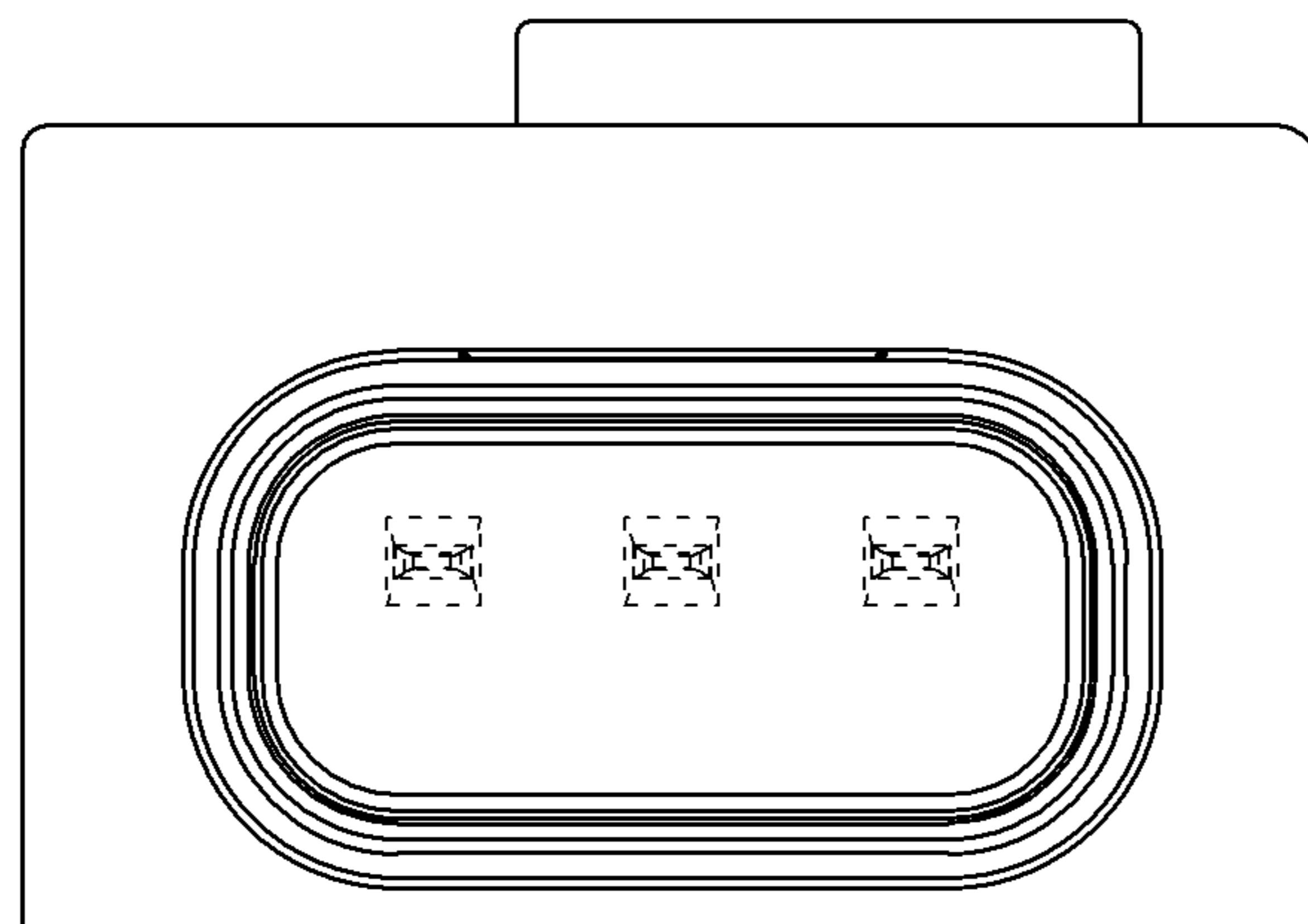


Fig. 7

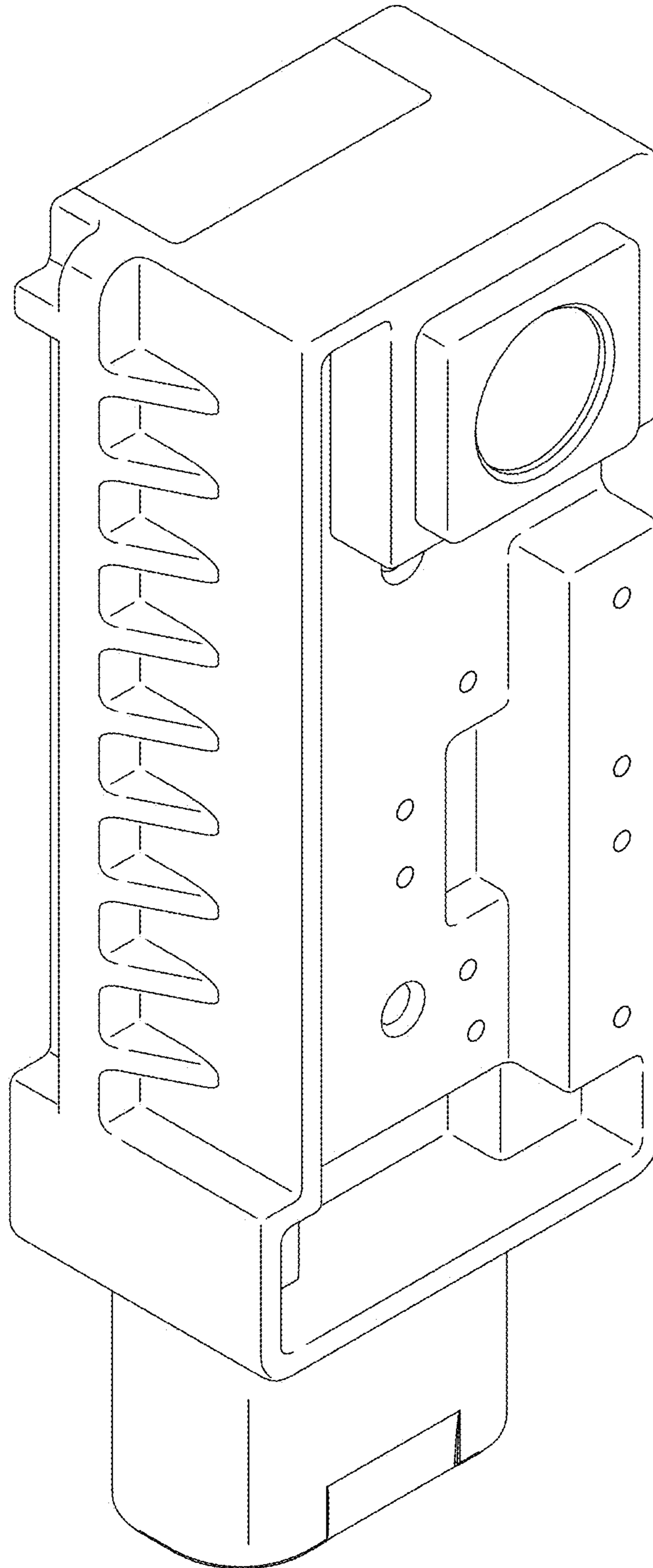


Fig. 8

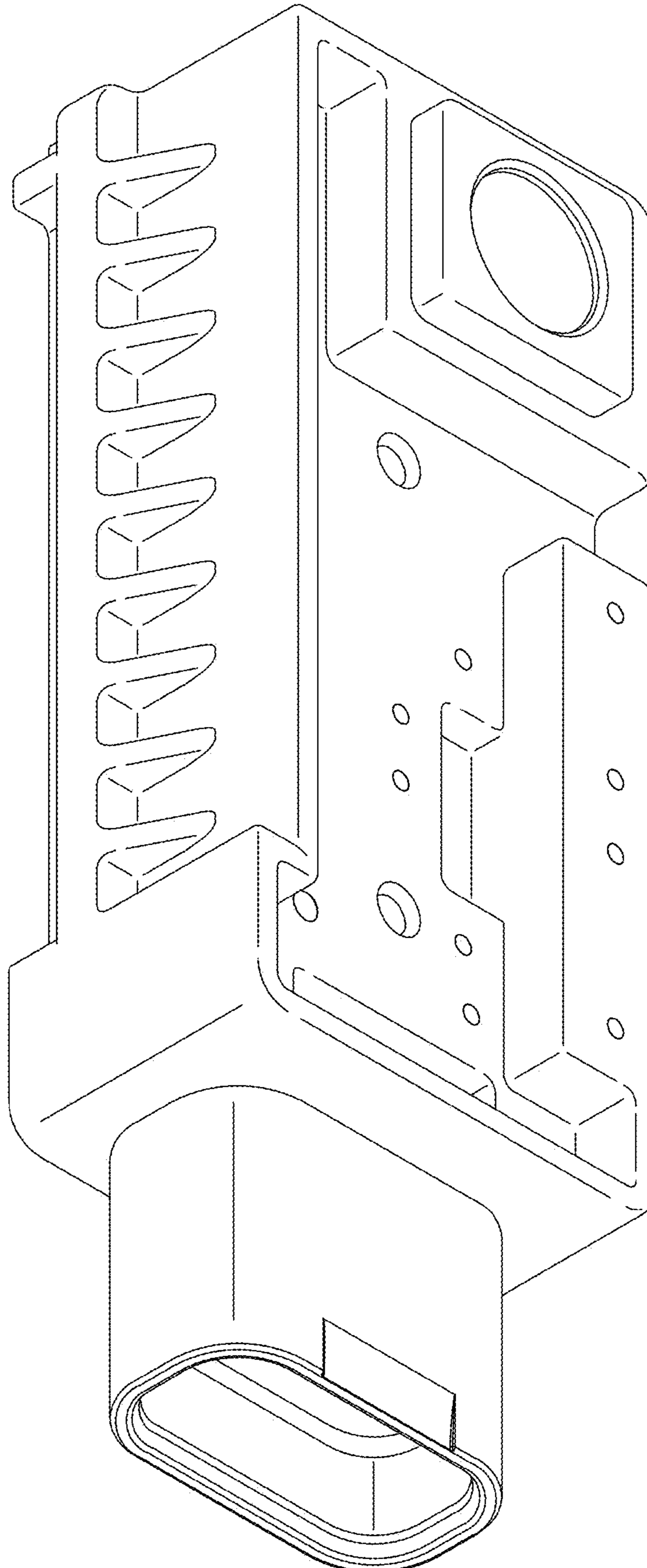


Fig. 9

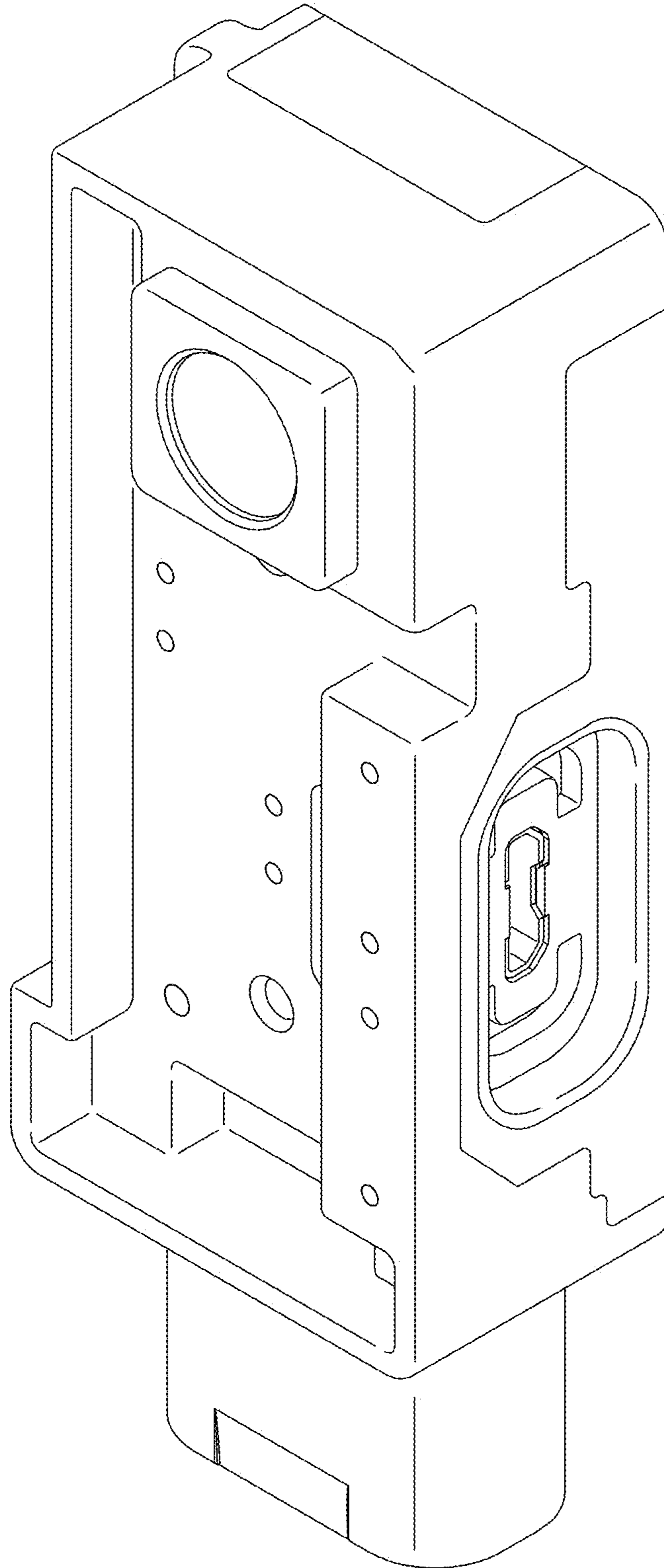


Fig. 10

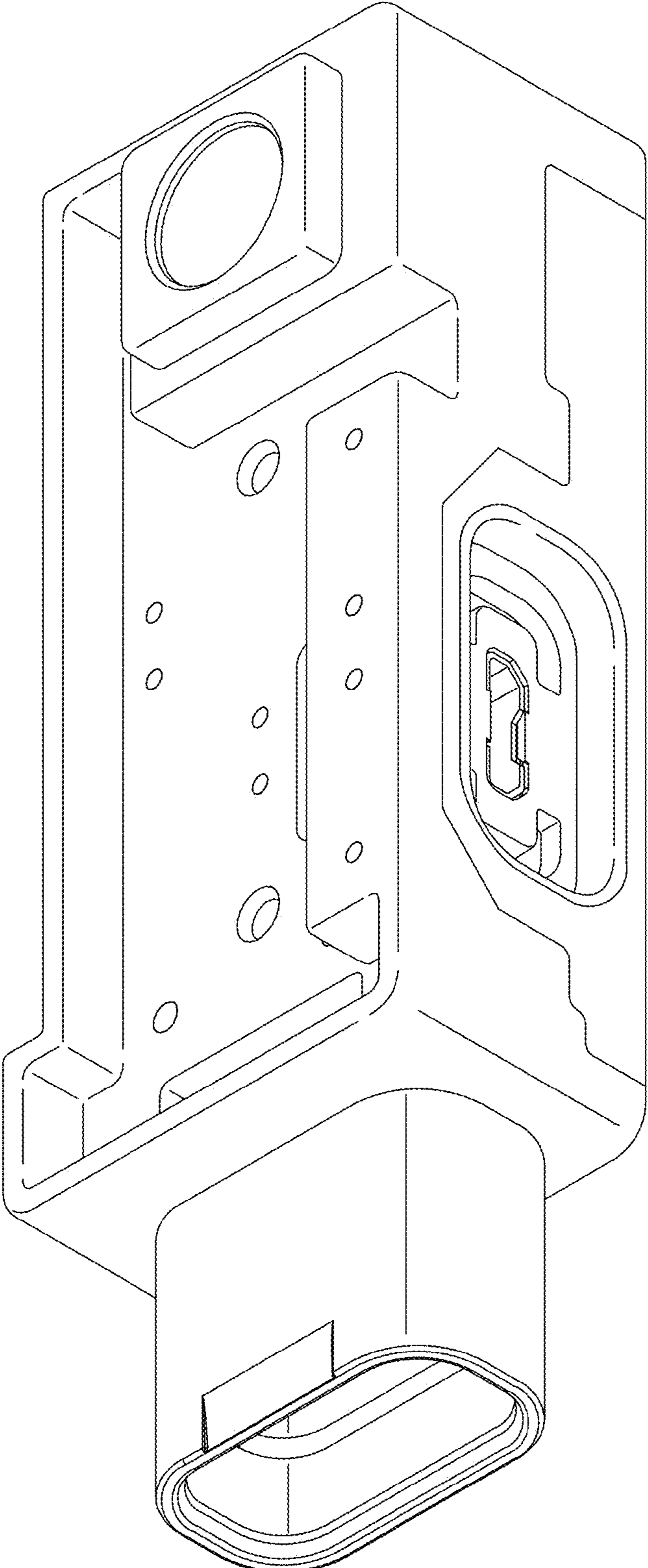


Fig. 11

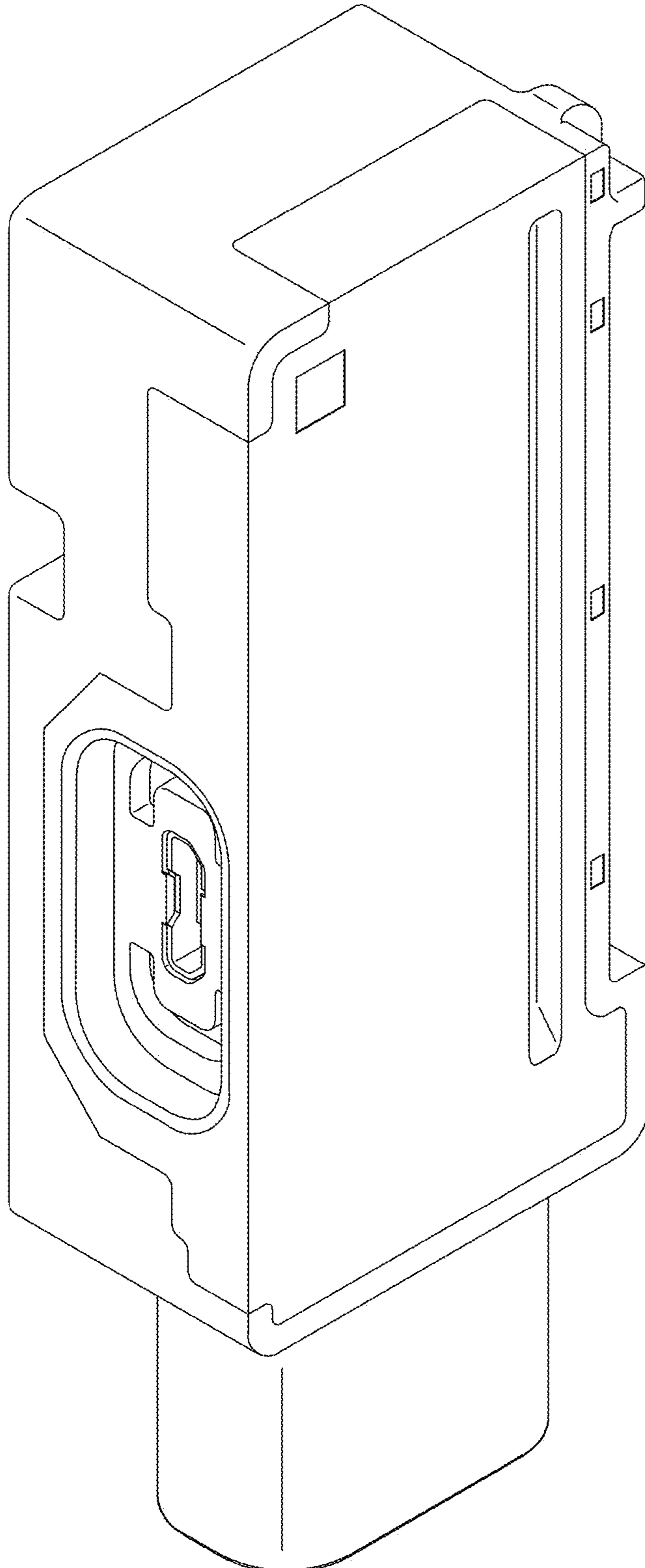


Fig. 12

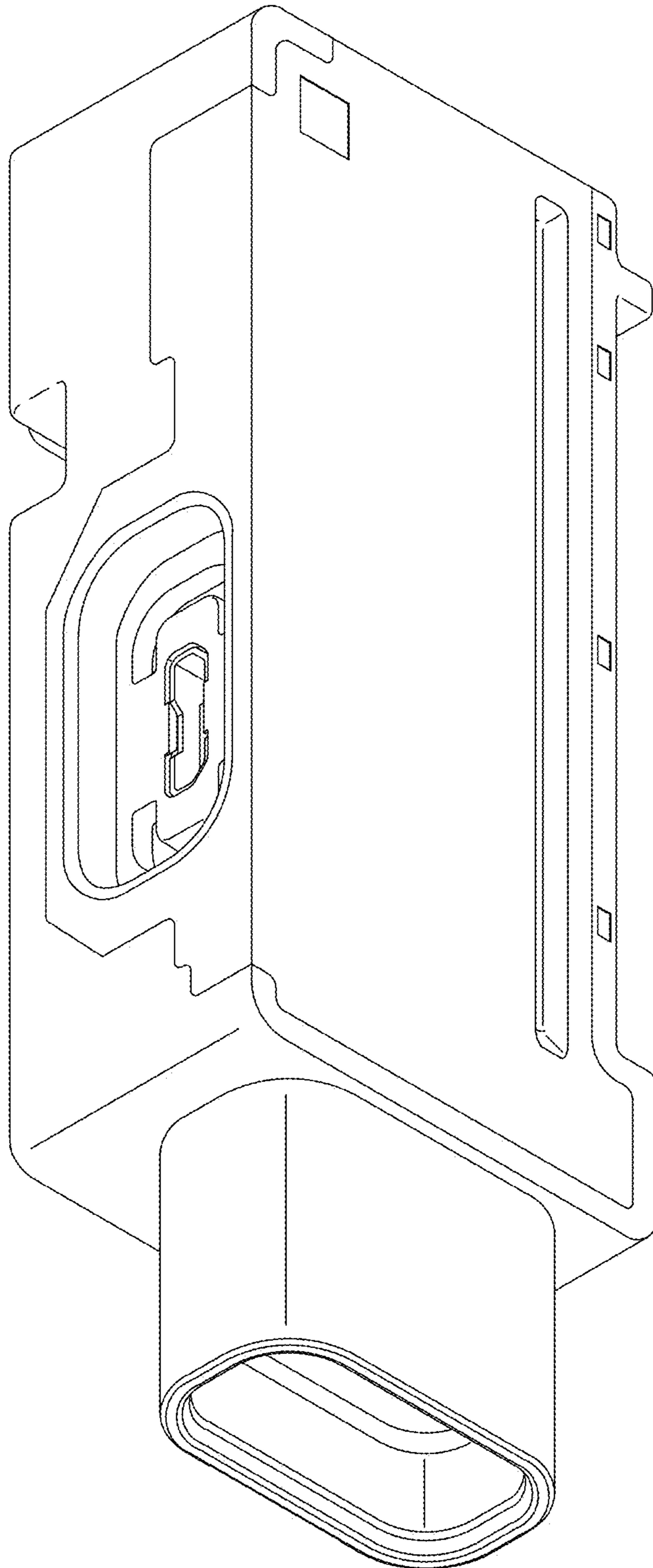


Fig. 13

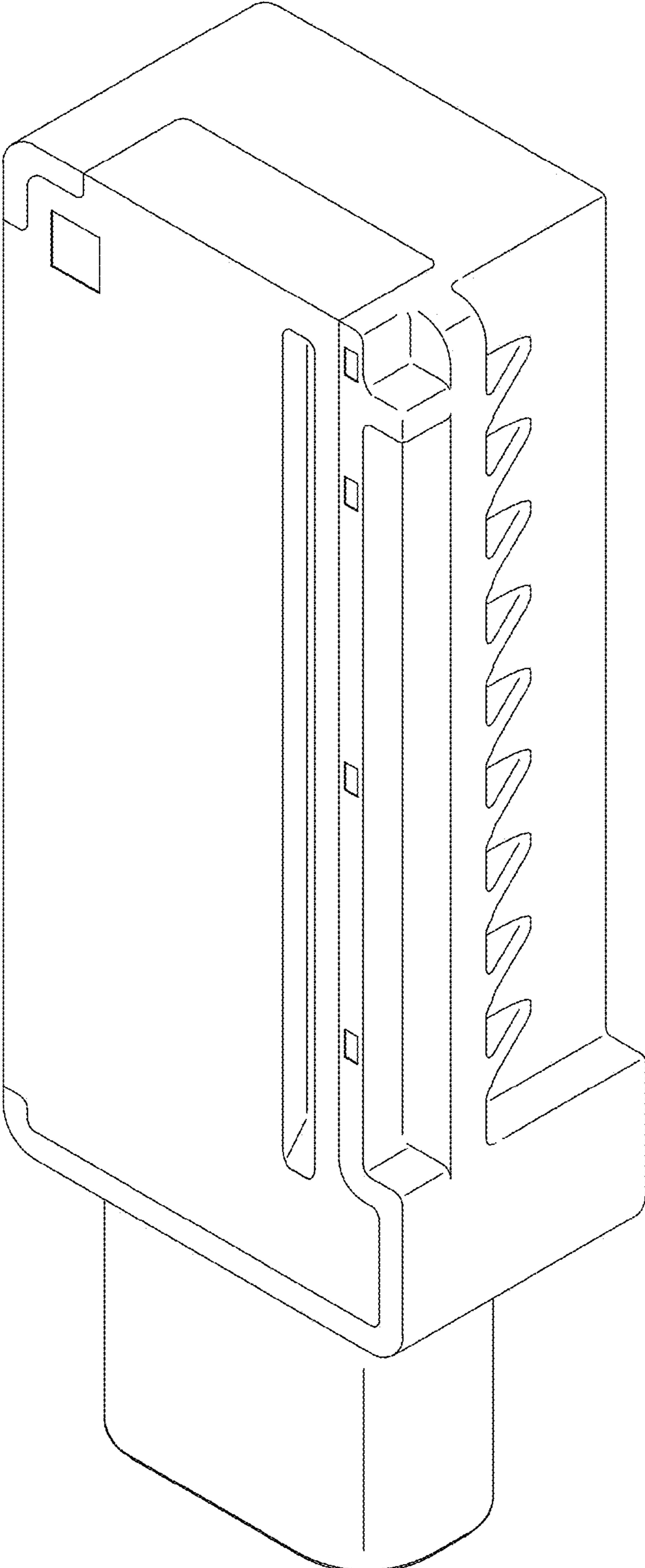


Fig. 14

