



US00D945968S

(12) **United States Design Patent**
Wang

(10) **Patent No.:** **US D945,968 S**
(45) **Date of Patent:** **** Mar. 15, 2022**

(54) **REMOTE CONTROL OUTLET**
(71) Applicant: **Zhengzhou Dewenwils Network Technology Co., Ltd., Zhengzhou (CN)**
(72) Inventor: **Peng Wang, Zhengzhou (CN)**
(**) Term: **15 Years**
(21) Appl. No.: **29/688,493**

6,485,327 B1 * 11/2002 Morlock H01R 25/003
439/216
D495,297 S * 8/2004 Hriscu D13/110
D526,219 S * 8/2006 Stekelenburg D10/40
D558,617 S * 1/2008 Hill D10/40
(Continued)

(22) Filed: **Apr. 22, 2019**
(51) **LOC (13) Cl.** **13-03**
(52) **U.S. Cl.**
USPC **D13/139.7**
(58) **Field of Classification Search**
USPC D13/110, 118, 120, 123, 133,
D13/137.1-137.4, 139.1-139.8, 146, 147,
D13/153, 155; D14/432, 433, 435.1, 438,
D14/439
CPC .. H01R 13/02; H01R 13/506; H01R 13/5219;
H01R 13/66; H01R 13/625; H01R
13/642; H01R 13/645; H01R 13/665;
H01R 13/6658; H01R 13/7175; H01R
25/00; H01R 25/003; H01R 25/006;
H01R 27/00; H01R 27/002; H01R 31/00;
H01R 31/06; H01R 31/005; H01R
31/006; H01R 31/065; H01R 24/20;
H01R 24/28; H01R 9/24; H01R 13/68;
H01R 13/6683; H01H 2300/03; Y02B
90/20
See application file for complete search history.

FOREIGN PATENT DOCUMENTS

CN 304122587 * 5/2017
CN 304986138 * 1/2019
(Continued)

OTHER PUBLICATIONS

Wireless Remote Control, available date Dec. 16, 2019, [online],
[site visited Nov. 9, 2020], Available from Internet URL: <https://www.amazon.com/HBN-Wireless-Weatherproof-Grounded-Included/dp/B082TX3CV1>.
(Continued)

Primary Examiner — Leanne Was-Englehart
(74) *Attorney, Agent, or Firm* — Tsz Lung Yeung

(57) **CLAIM**

The ornamental design for a remote control outlet, as shown and described.

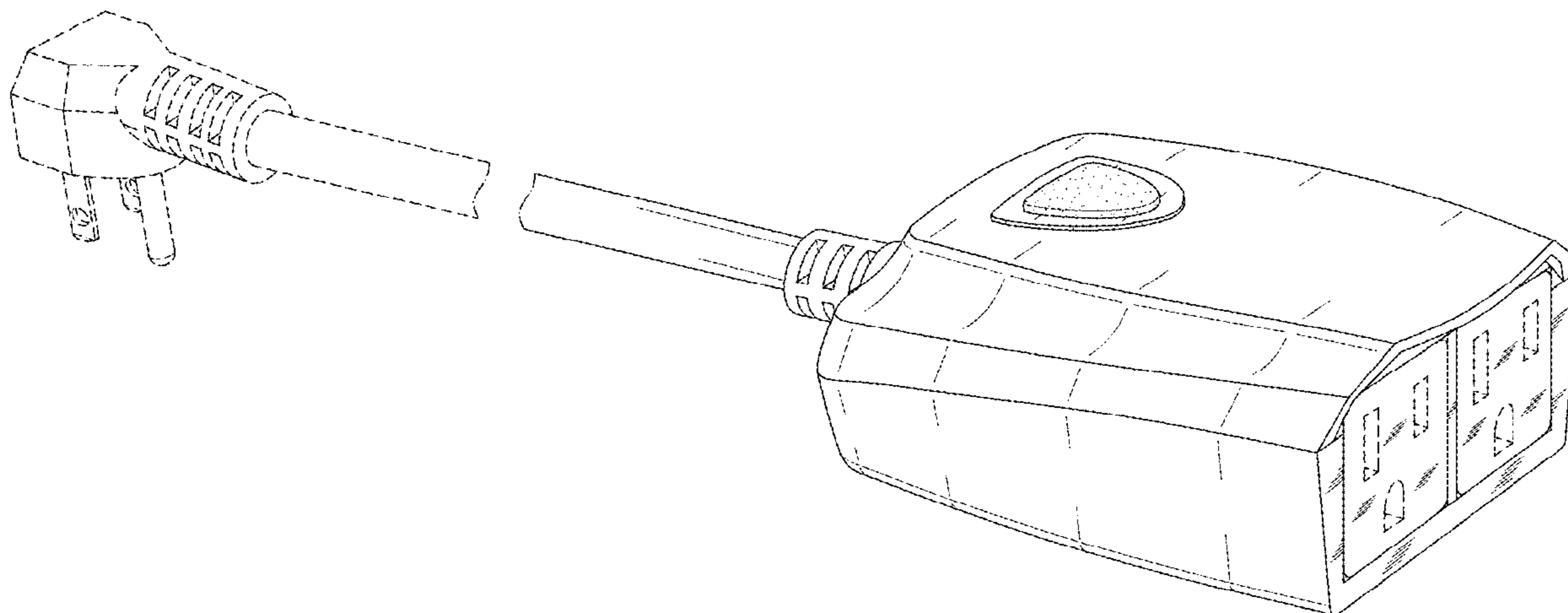
DESCRIPTION

FIG. 1 is a perspective view of a remote control outlet showing my new design;
FIG. 2 is a front view thereof;
FIG. 3 is a rear view thereof;
FIG. 4 is a right side view thereof;
FIG. 5 is a left side view thereof;
FIG. 6 is a top view thereof; and,
FIG. 7 is a bottom view thereof.

The drawings contain a symbolic break. The portion between the break lines form no part of the claimed design. The broken lines in the drawings showing portions of the remote control outlet that form no part of the claimed design.

1 Claim, 7 Drawing Sheets

(56) **References Cited**
U.S. PATENT DOCUMENTS
D307,579 S * 5/1990 Layne D13/137.3
D373,566 S * 9/1996 Rak D13/133
D386,430 S * 11/1997 Czerlanis D10/40
D390,792 S * 2/1998 Stekelenburg D10/2
D416,233 S * 11/1999 Tsai D13/147
D435,514 S * 12/2000 Stekelenburg D10/40



(56)

References Cited

U.S. PATENT DOCUMENTS

8,106,541 B1 * 1/2012 Sarullo H01R 25/006
307/139
D661,207 S * 6/2012 Beland D10/40
D705,735 S * 5/2014 Zaslavsky D13/139.7
D752,516 S * 3/2016 Medley H01R 31/06
D13/137.1
9,396,897 B1 * 7/2016 Ademola H01H 47/00
D818,971 S * 5/2018 Peng D13/171
D824,855 S * 8/2018 Eshelman D13/137.2
D891,374 S * 7/2020 Yang D13/137.4
D897,961 S * 10/2020 Tian D13/137.1

FOREIGN PATENT DOCUMENTS

CN 304992407 * 1/2019
CN 304998103 * 1/2019

OTHER PUBLICATIONS

Smart Plug, available date Jun. 26, 2019, [online], [site visited Nov. 9, 2020], Available from Internet URL: <https://www.amazon.com/Plug-Aoyoccr-Compatible-Assistant-Smartphone-Waterproof/dp/B07TMKZ9QL>.*
Wireless Control, available date Aug. 21, 2019, [online], [site visited Nov. 9, 2020], Available from Internet URL: <https://www.amazon.com/HBN-Resistant-Wireless-Electrical-Decorative/dp/B07WRT6GK4>.*
Outdoor Smart Plug, available date Jun. 16, 2019, [online], [site visited Nov. 19, 2020], Available from Internet URL: <https://www.amazon.com/dp/B07JB5TQSG>.*
DEWENWILS Outdoor Indoor Remote Control Outlet Power Strip https://www.amazon.com/dp/B07GXCYWRQ?ref=myi_title_dp First Available Nov. 24, 2018 (Year: 2018).*

* cited by examiner

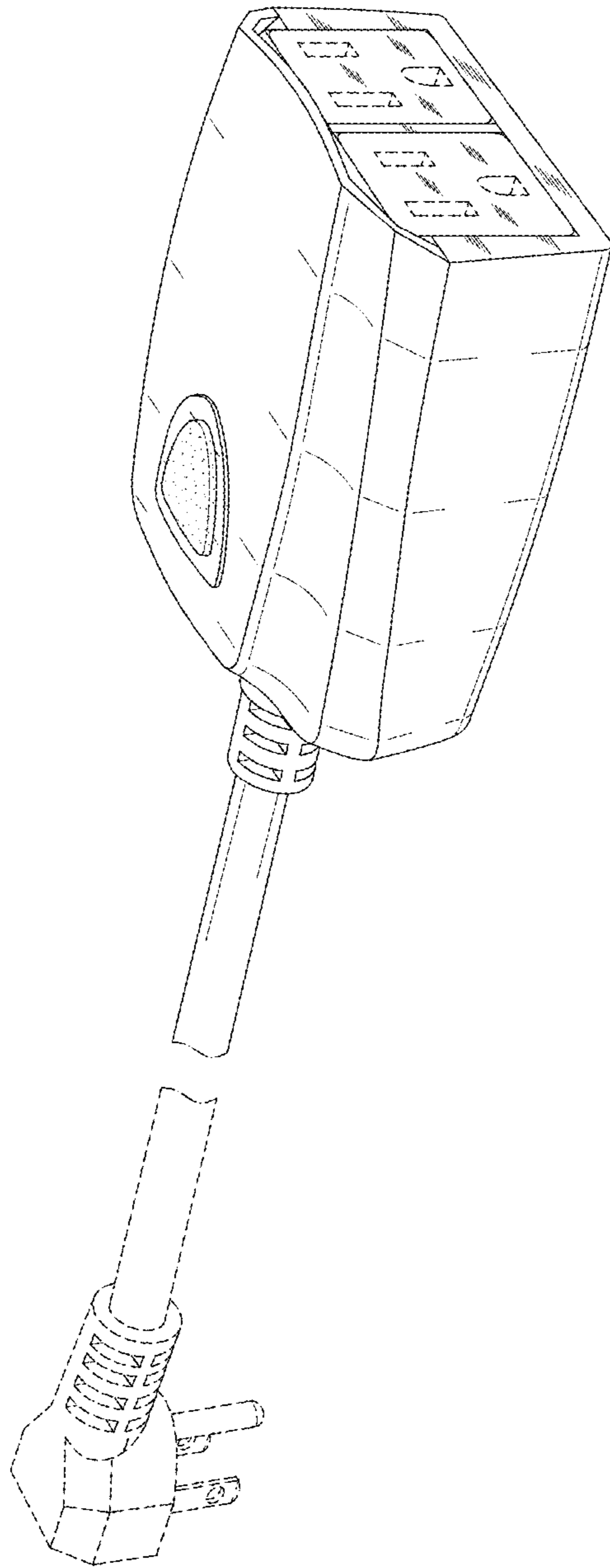


FIG. 1

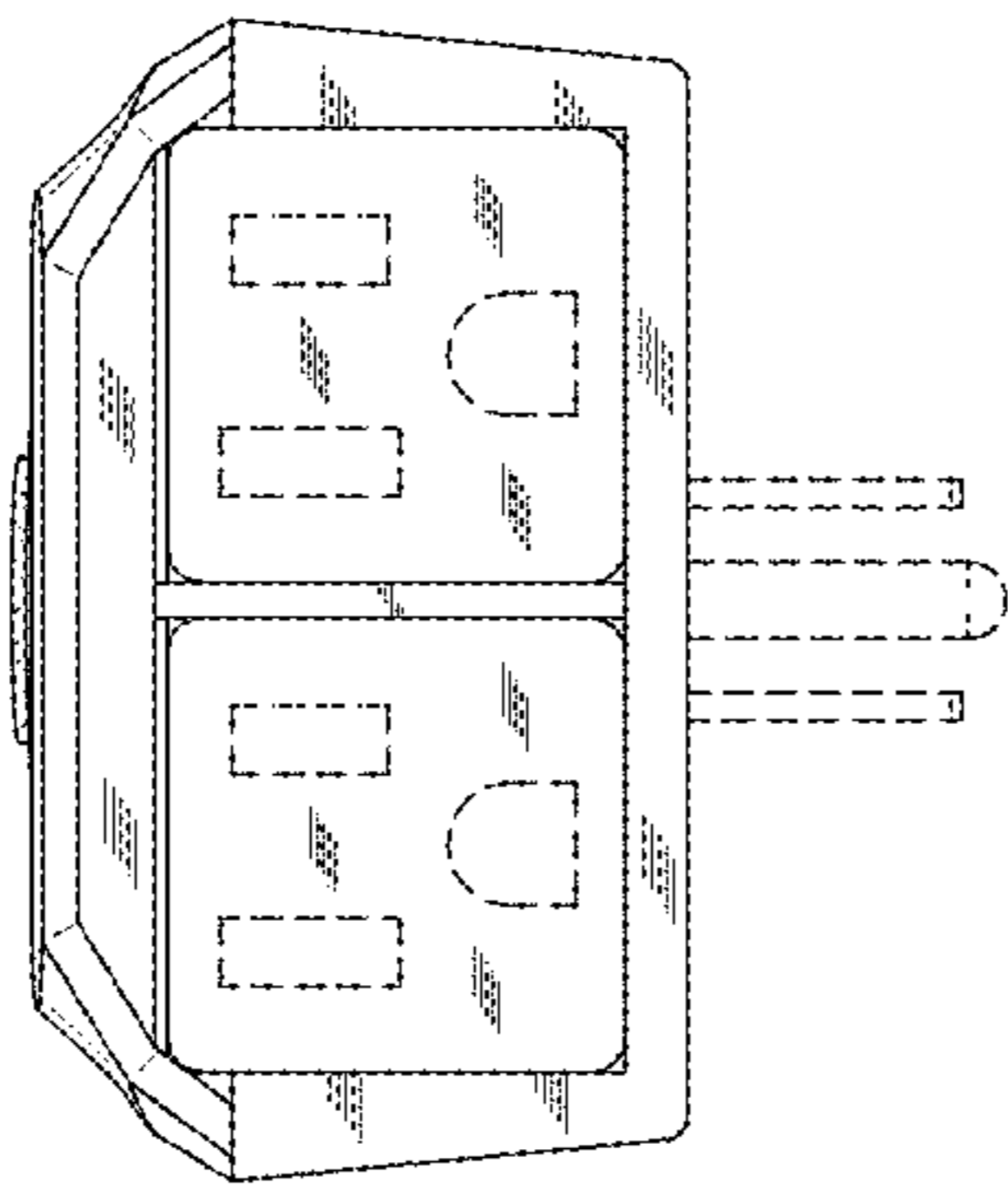


FIG. 2

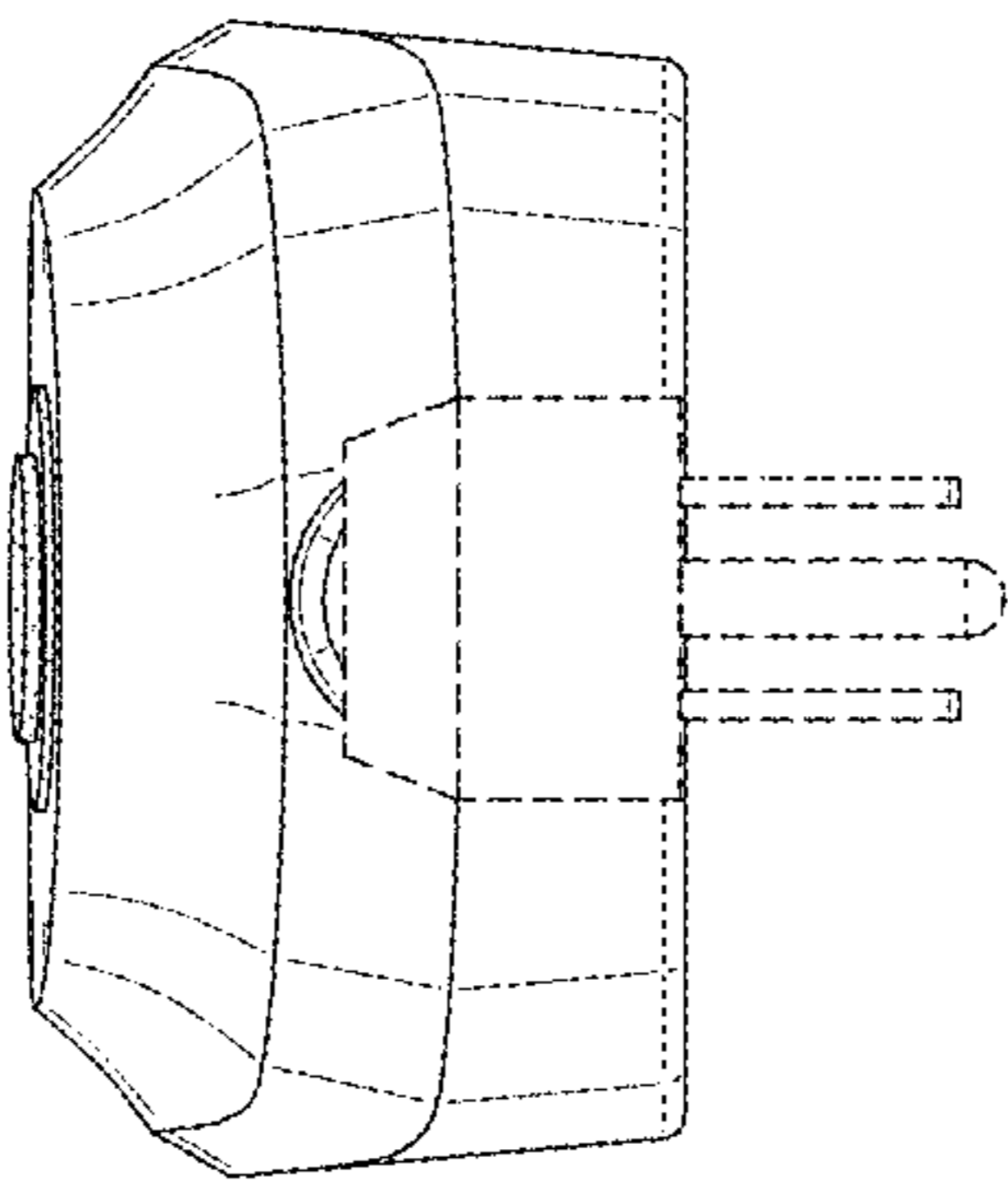


FIG. 3

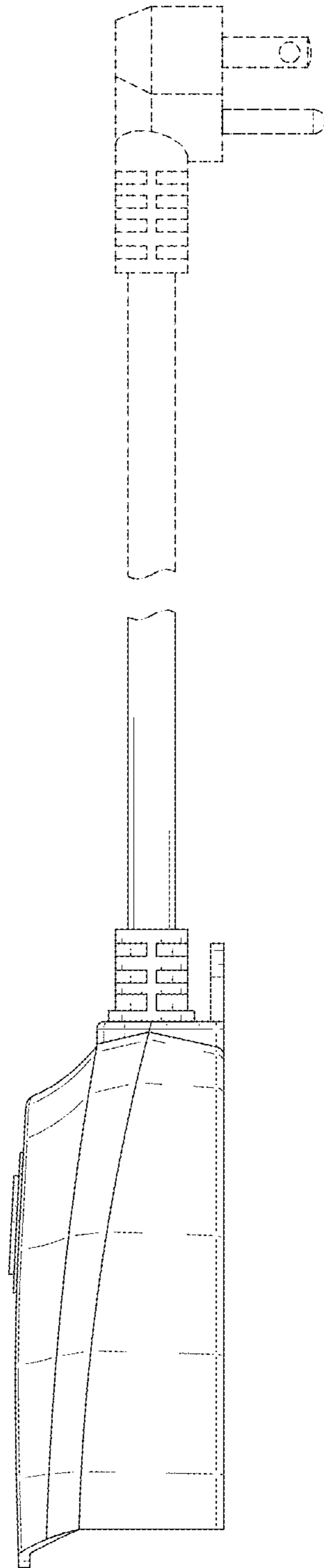


FIG. 4

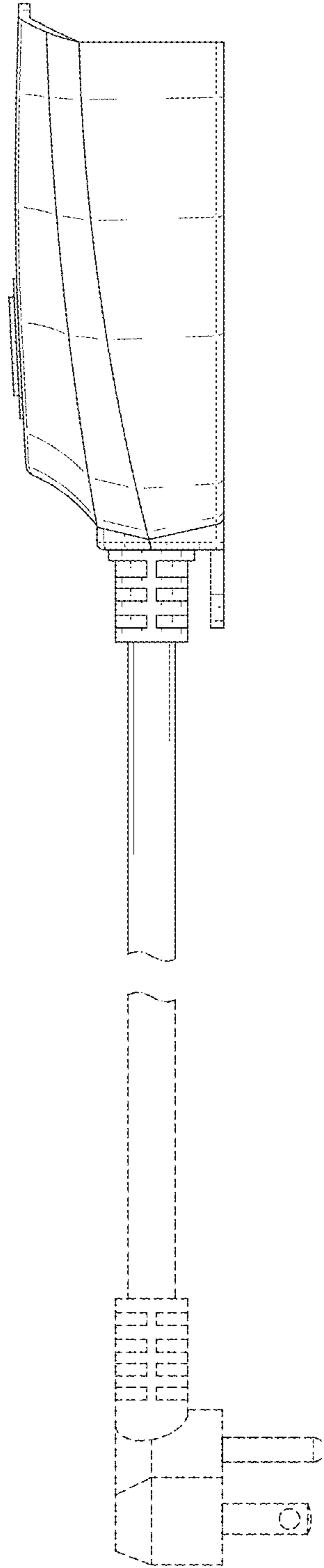


FIG. 5

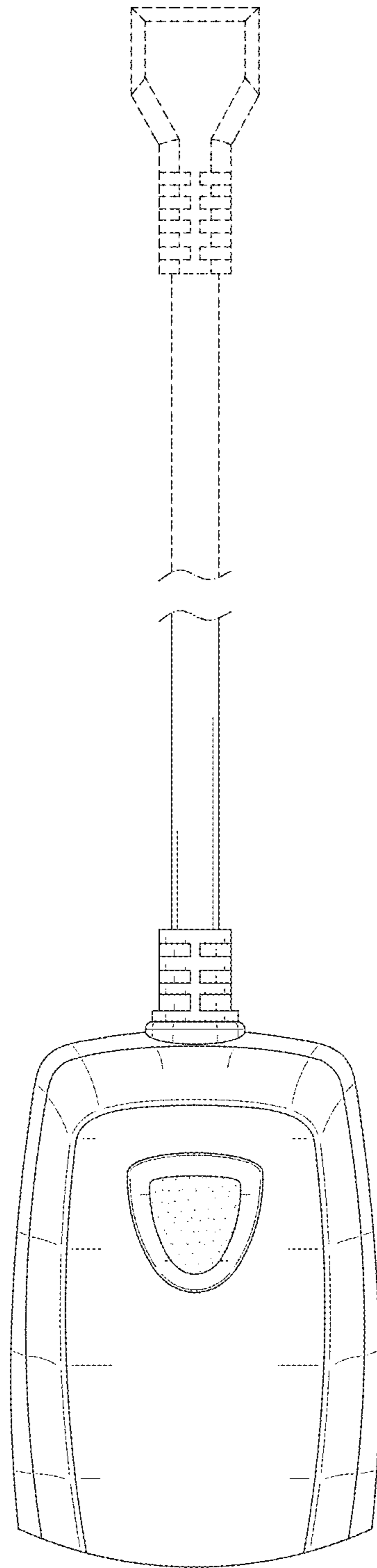


FIG. 6

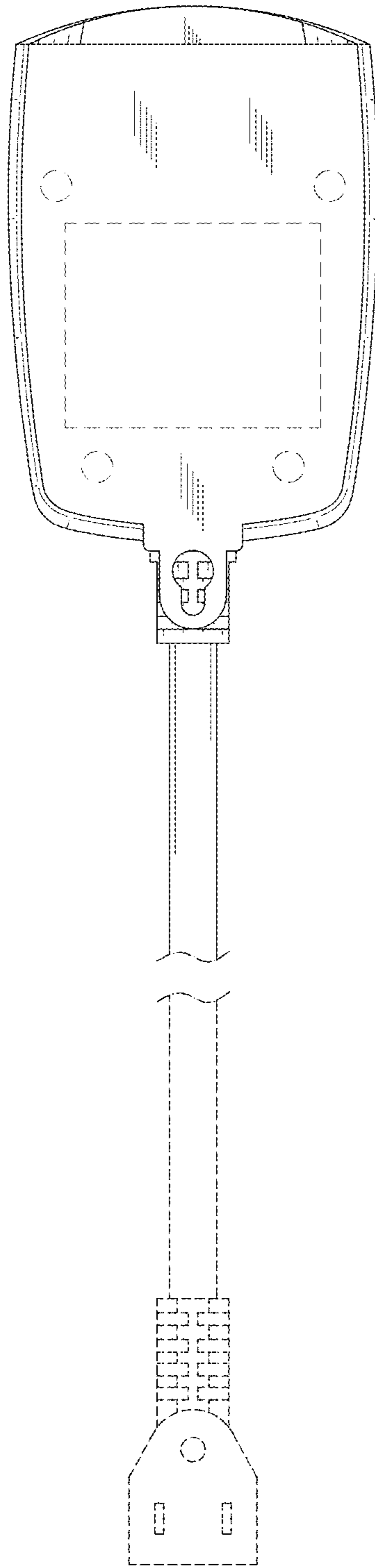


FIG. 7