



US00D945966S

(12) **United States Design Patent**
Shao et al.

(10) **Patent No.:** **US D945,966 S**
(45) **Date of Patent:** **** Mar. 15, 2022**

(54) **LIGHT STRING POWER ADAPTER**

OTHER PUBLICATIONS

(71) Applicant: **BLOOMING INTERNATIONAL LIMITED**, British West Indies (AI)

“4.5V 3W LED Power Supply, TS-4.5V3W Class 2 Power Unit LED Transformer US Plug Adapter Replacement, Seasonal-Use LED Driver for LED String Light, Holiday Lighting”, first available Oct. 13, 2020. Amazon.com [https://www.amazon.com/TS-4-5V3W-Transformer-Adapter-Replacement-Seasonal-Use/dp/B08L4KFP1N] (Year: 2020).*

(72) Inventors: **Shu-Fa Shao**, Taipei (TW); **Johnny Chen**, Taipei (TW); **Chen-Yu Chen**, Keelung (TW)

(Continued)

(73) Assignee: **Blooming International Limited**, British West Indies (AI)

Primary Examiner — Rosemary K Tarcza

(**) Term: **15 Years**

Assistant Examiner — Seth David Kumpf

(21) Appl. No.: **29/755,237**

(74) *Attorney, Agent, or Firm* — Christensen, Fonder, Dardi & Herbert PLLC

(22) Filed: **Oct. 19, 2020**

(51) **LOC (13) Cl.** **13-02**

(57) **CLAIM**

(52) **U.S. Cl.**

We claim the ornamental design for a light string power adapter, as shown and described.

USPC **D13/110**

(58) **Field of Classification Search**

DESCRIPTION

USPC D13/137.1, 137.2, 137.3, 137.4, 138.1, D13/138.2, 139.1, 139.2, 139.7, 139.8, D13/184, 103, 107, 199, 108, 110, 119, D13/123, 133, 139.3, 139.5, 139.6, 152, D13/145, 153, 154, 156, 158, 160, 162, D13/177; D14/433, 434

FIG. 1 is a perspective view of an ornamental design of a light string power adapter;
FIG. 2 is a left-side view of the light string power adapter of FIG. 1;
FIG. 3 is a top view of the light string power adapter of FIG. 1;
FIG. 4 is a right-side view of the light string power adapter of FIG. 1;
FIG. 5 is a bottom view of the light string power adapter of FIG. 1;
FIG. 6 is a front view of the light string power adapter of FIG. 1; and,
FIG. 7 is a rear view of the light string power adapter of FIG. 1.

CPC H01R 13/00; H01R 13/04; H01R 13/10; H01R 13/665; H01R 13/666; H01R 13/667; H01R 13/7135; H01R 25/00; H01R 25/006; H01R 9/00; H01R 11/00; H02H 3/33; H02H 3/162; H01H 2207/00; H01H 2207/022; H01H 2203/00; H05K 5/00; H05K 5/03

See application file for complete search history.

The figures include broken lines that are directed to environment and are for illustrative purposes only; the broken lines form no part of the claimed design.

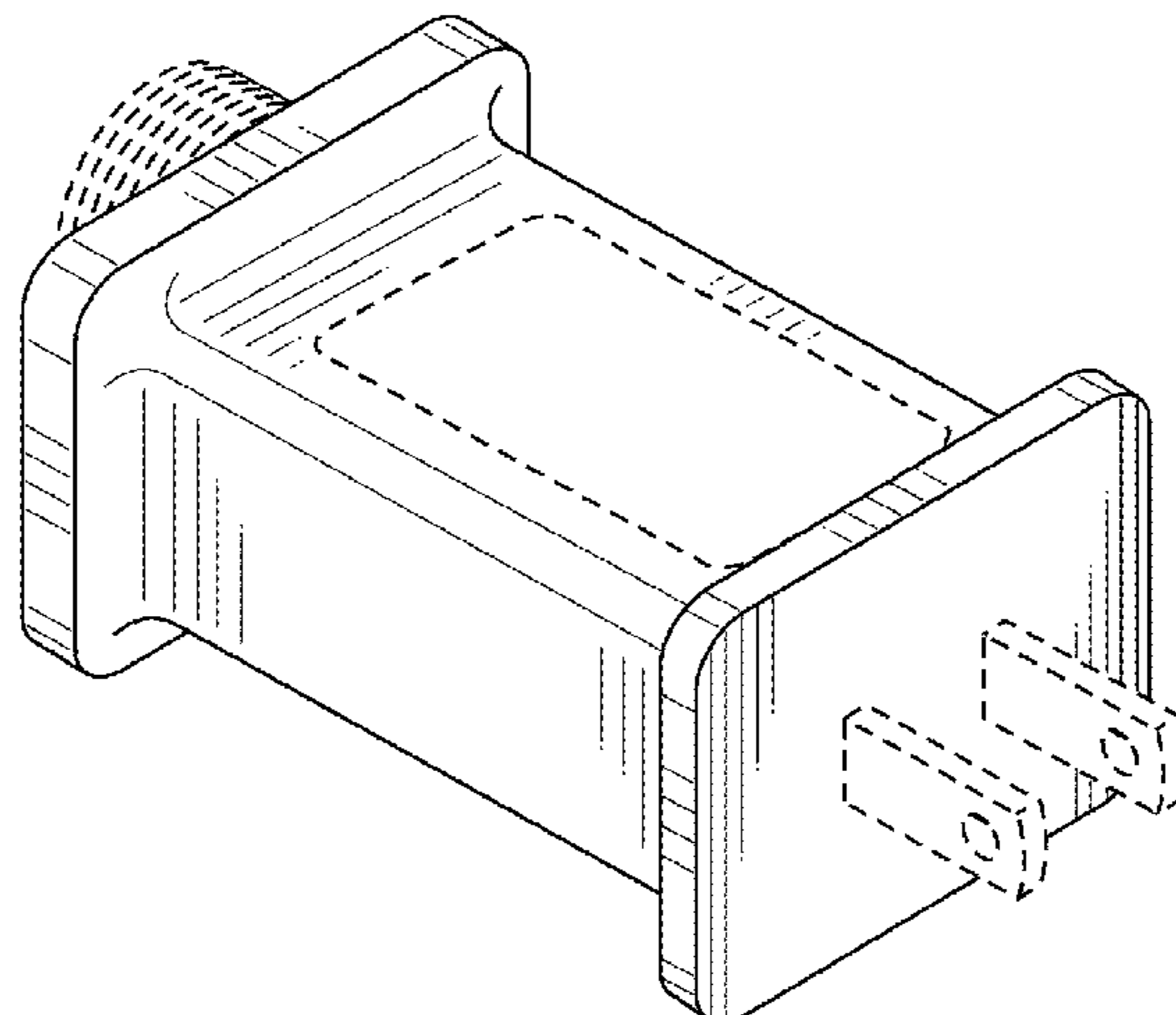
(56) **References Cited**

1 Claim, 2 Drawing Sheets

U.S. PATENT DOCUMENTS

D94,143 S	*	12/1934	Hill	D13/137.1
D127,010 S	*	5/1941	Judisch	D13/137.1
D258,429 S	*	3/1981	Buckler	D13/138.1
D295,622 S	*	5/1988	Good	D13/137.3
D315,141 S	*	3/1991	Hames	D13/137.3

(Continued)



(56)

References Cited

U.S. PATENT DOCUMENTS

D367,262	S *	2/1996	Lux	D13/137.3
D611,409	S	3/2010	Green et al.	
D640,631	S *	6/2011	Smith	D13/138.1
8,047,873	B1 *	11/2011	Wang	H01R 31/065 439/589
D687,778	S *	8/2013	Utz	D13/133
D689,819	S	9/2013	Olsson et al.	
D694,183	S	11/2013	Matsuoka et al.	
D731,969	S	6/2015	Ackloo	
D732,472	S	6/2015	Laffon et al.	
D819,566	S	6/2018	Hung et al.	
10,028,360	B1	7/2018	Chen	
D845,898	S	4/2019	Laffon de Mazieres et al.	
10,683,974	B1	6/2020	Chen	
D915,643	S	4/2021	Liang	
2019/0081431	A1 *	3/2019	Heyman	H01R 31/065
2019/0280524	A1 *	9/2019	Wan	H01R 13/7038
2019/0356074	A1	11/2019	Fuda	

OTHER PUBLICATIONS

“6V 6W LED Power Supply, TS-6V1A Class 2 Power Unit LED Transformer US Plug Adapter Replacement, Seasonal-Use LED

Driver for LED String Light, Holiday Lighting”, first available Oct. 13, 2020. Amazon.com [<https://www.amazon.com/Transformer-Adapter-Replacement-Seasonal-Use-Lighting/dp/B08L4K91KQ>] (Year: 2020).*

“LED Transformer 12V 9W LED Class 2 Power Supply IP44 Waterproof Low Voltage Adapter for String Light, Christmas Tree, Projector Light,Holiday Lighting”, first available Oct. 27, 2020. Amazon.com [<https://www.amazon.com/Transformer-Waterproof-Christmas-Projector-Lighting/dp/B08LYCKZTR>] (Year: 2020).*

“Dirduaid 12V 1A LED Power Supply, 12W Class 2 Power Supply, Low Voltage Power Adapter LED Transformer Replacement for Christmas Light, String Light, Inflatable Decorations” first available Oct. 19, 2020 Amazon.com[<https://www.amazon.com/Dirduaid-Transformer-Replacement-Christmas-Inflatable/dp/B08LCVSD4>] (Year: 2020).*

Admitted Prior Art (pre Nov. 2020), “Photograph of Light String Adapter One”, 1 page.

Admitted Prior Art (pre Nov. 2020), “Photograph of Light String Adapter Two”, 1 page.

Admitted Prior Art (pre Nov. 2020), “Photograph of Light String Adapter Three”, 2 pages.

* cited by examiner

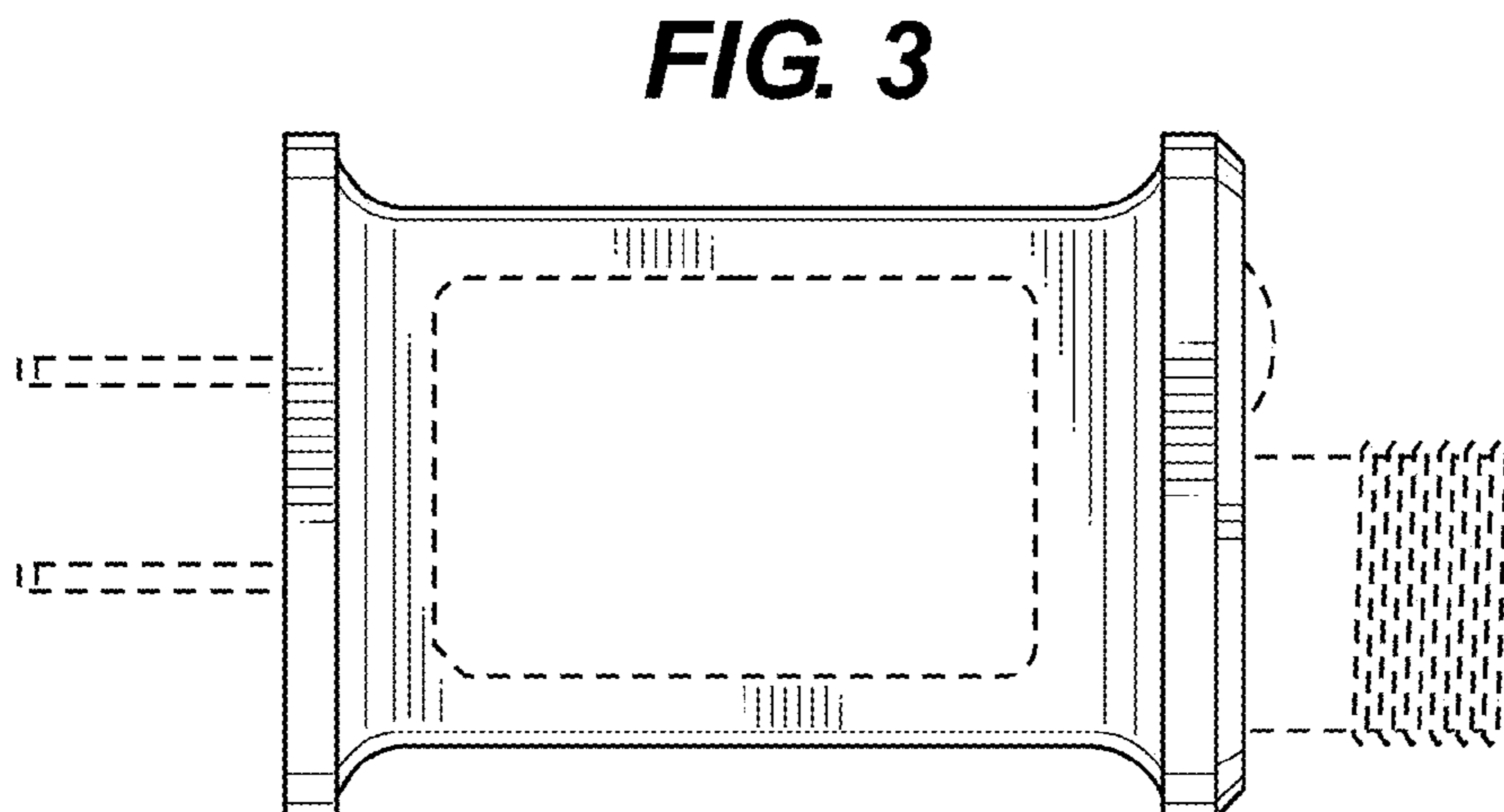
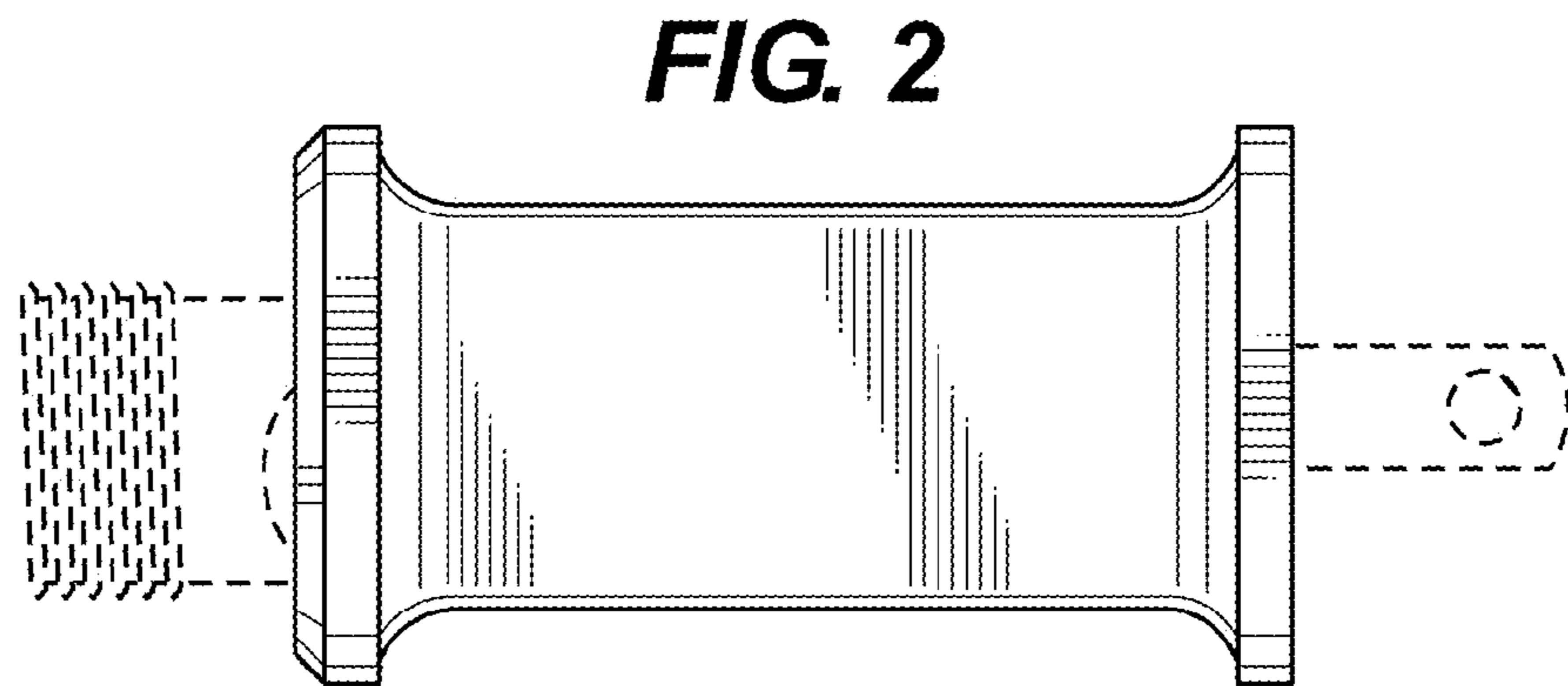
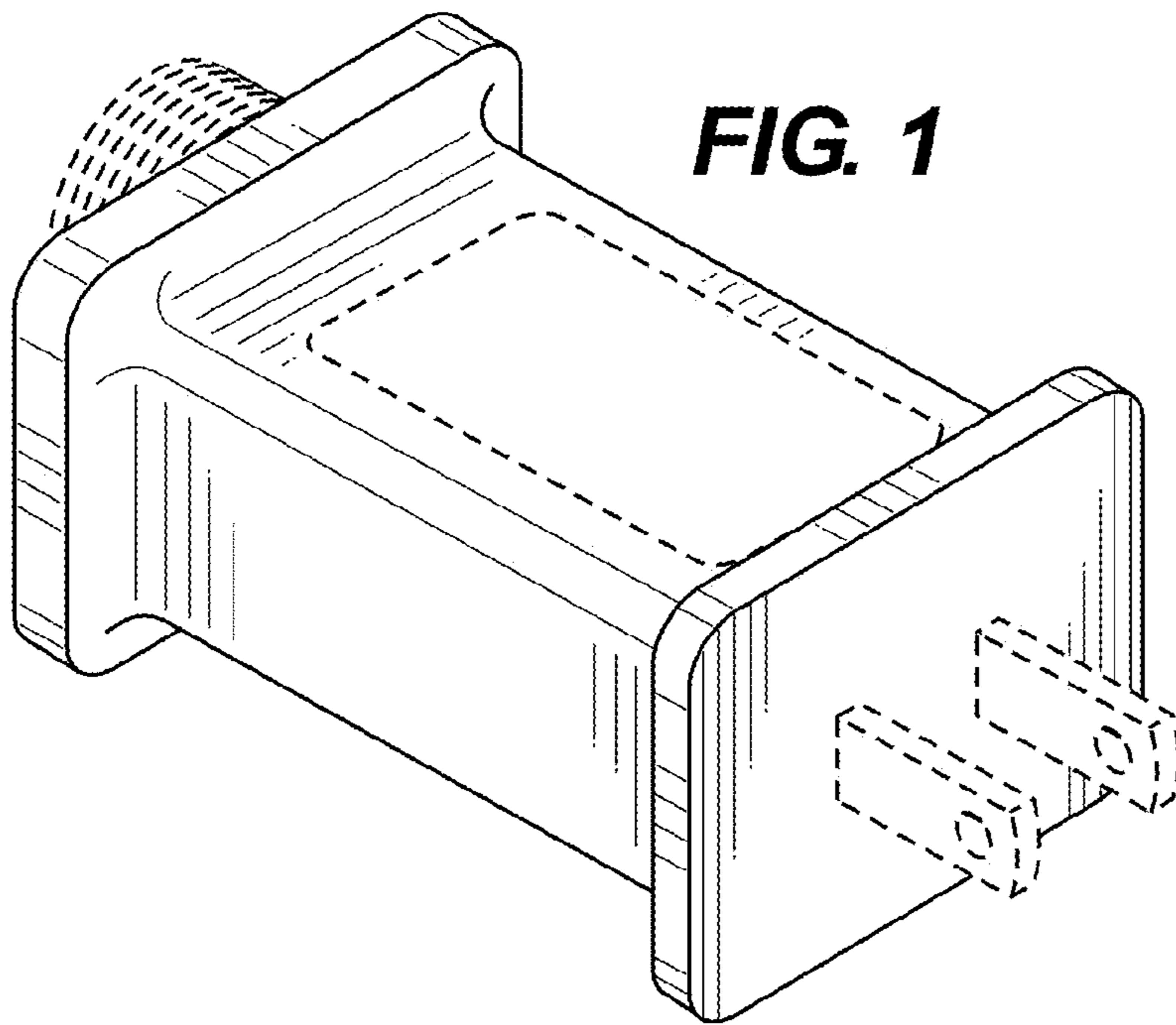


FIG. 4

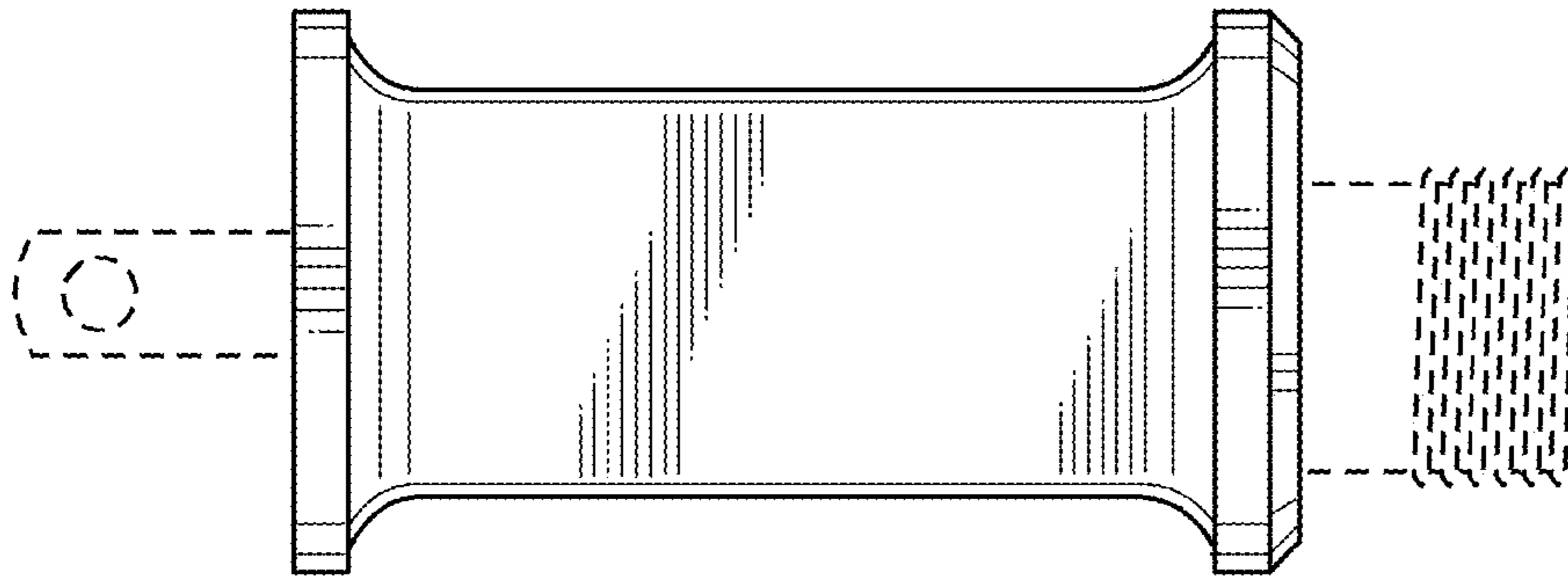


FIG. 5

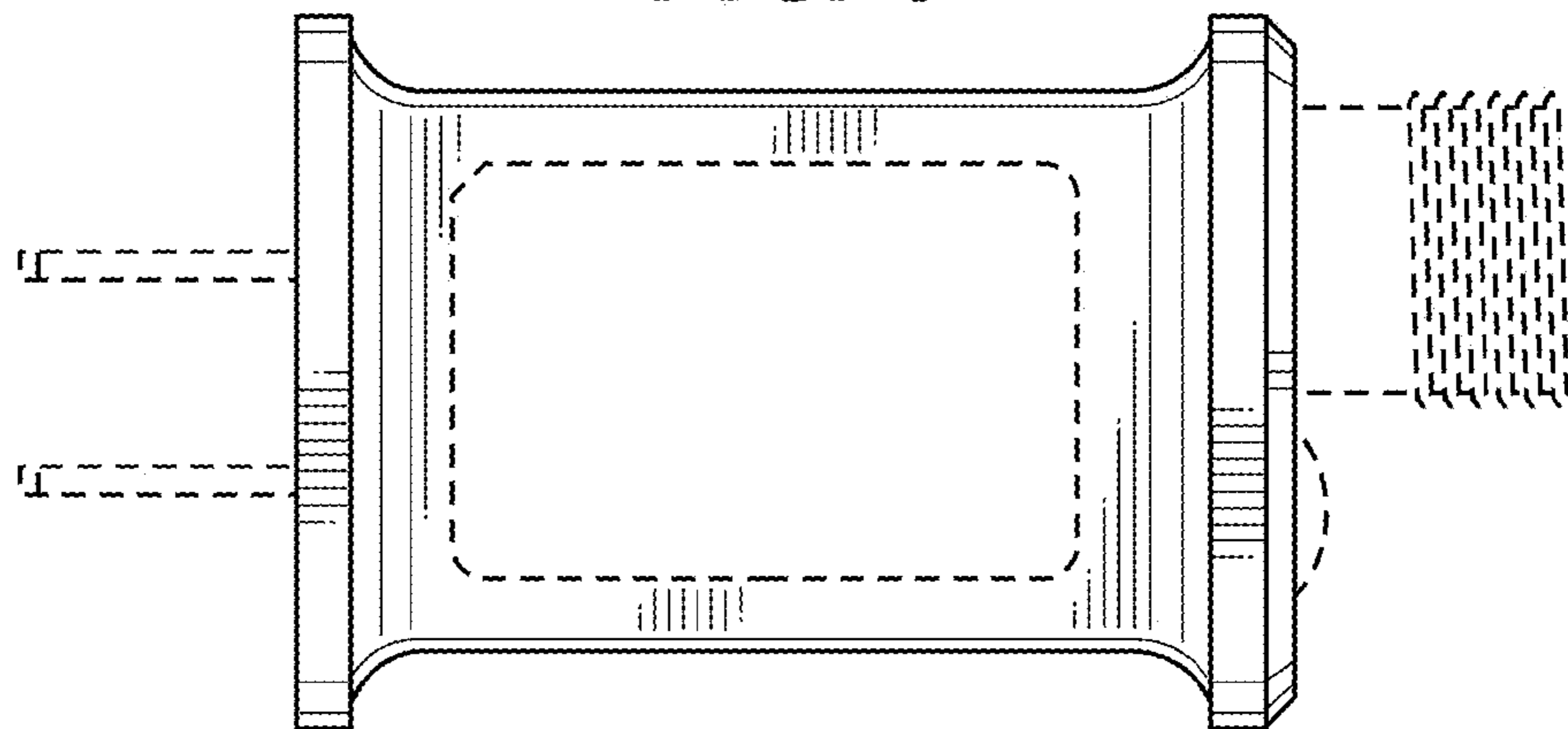


FIG. 6

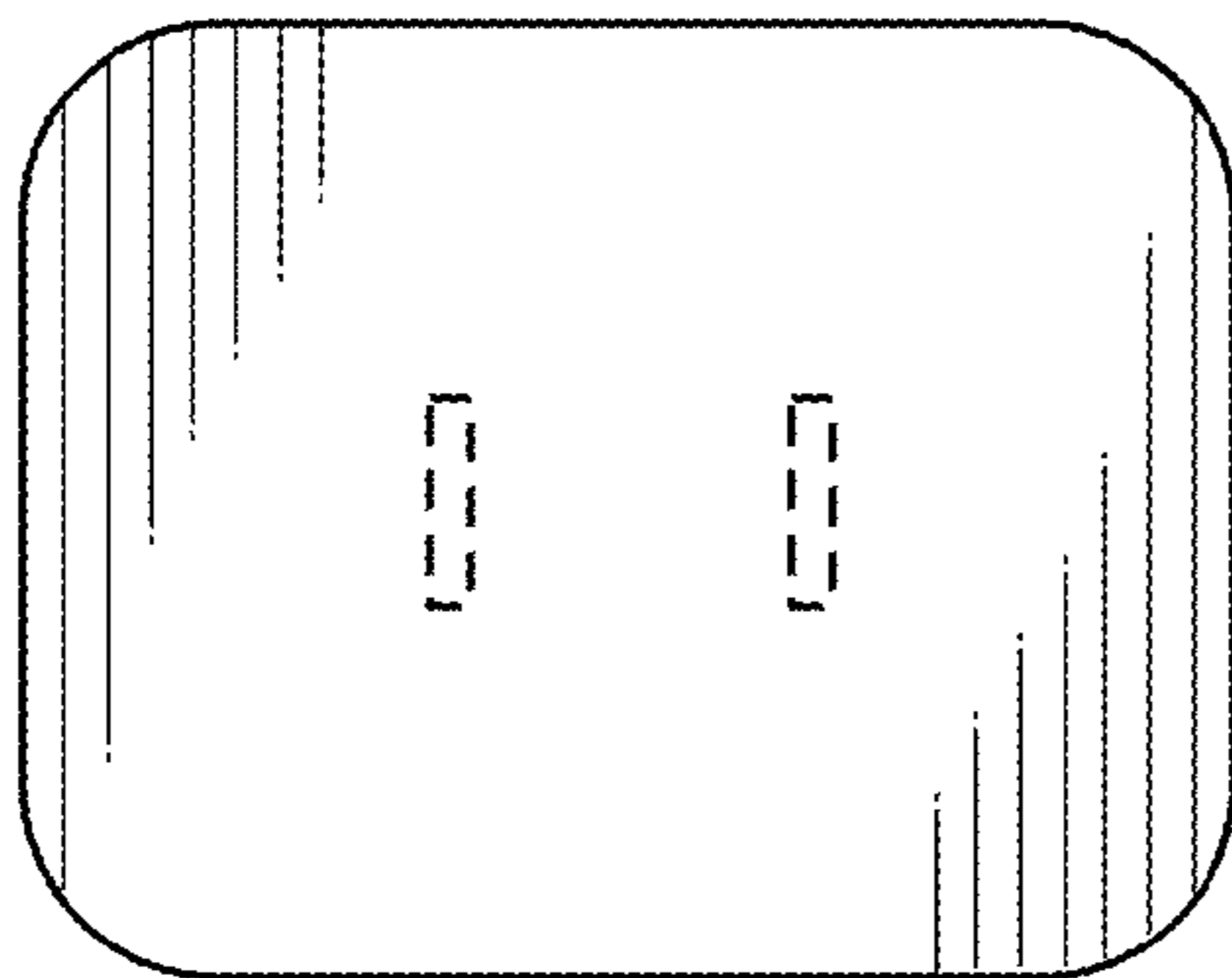


FIG. 7

