



US00D945965S

(12) **United States Design Patent**
Wang et al.

(10) **Patent No.:** **US D945,965 S**
(45) **Date of Patent:** **** Mar. 15, 2022**

(54) **WIRELESS CHARGER**

(71) Applicant: **SHENZHEN FUTURE CHARGER TECHNOLOGY CO., LTD.**, Shenzhen (CN)

(72) Inventors: **Wenzhong Wang**, Shenzhen (CN);
Yonghui Wei, Shenzhen (CN)

(**) Term: **15 Years**

(21) Appl. No.: **29/757,291**

(22) Filed: **Nov. 4, 2020**

(30) **Foreign Application Priority Data**

Oct. 9, 2020 (CN) 202030598101.X

(51) **LOC (13) Cl.** **13-02**

(52) **U.S. Cl.**
USPC **D13/108**

(58) **Field of Classification Search**
USPC D13/102–110, 118, 119, 184, 199;
D14/251, 253, 432, 434
CPC H01M 10/44; H01M 10/46; H01M 10/465;
H01M 10/482; H01M 10/4257; H01M
10/0436; H01M 10/48; H01M 2200/30;
H01M 2250/30; H01M 2250/40; Y02T
10/7005; Y02T 10/705; Y02T 10/7088;
Y02E 60/10; Y02E 60/12; Y02E 60/122;
Y02E 60/124; Y02E 60/50; H02J 7/00;
H02J 7/0003; H02J 7/0011; H02J 7/0013;
H02J 7/0054; H02J 7/0055; H02J 7/0057;
H02J 7/0034; H02J 7/1423; H02J
2001/006

See application file for complete search history.

(56) **References Cited**

U.S. PATENT DOCUMENTS

D705,160 S *	5/2014	Ormesher	D13/108
D727,259 S *	4/2015	Hwang	D13/108
D738,301 S *	9/2015	Symons	D13/107
D884,615 S *	5/2020	Ito	D13/108
D911,946 S *	3/2021	Turksu	D13/108
D912,621 S *	3/2021	Qiu	D13/108
D922,317 S *	6/2021	Starkey	D13/108
D922,947 S *	6/2021	Wang	D13/108
D927,421 S *	8/2021	Xiao	D13/110
D934,169 S *	10/2021	Huang	D13/108
D935,398 S *	11/2021	Wang	D13/108

* cited by examiner

Primary Examiner — Christy Nemeth

(74) *Attorney, Agent, or Firm* — W&K IP

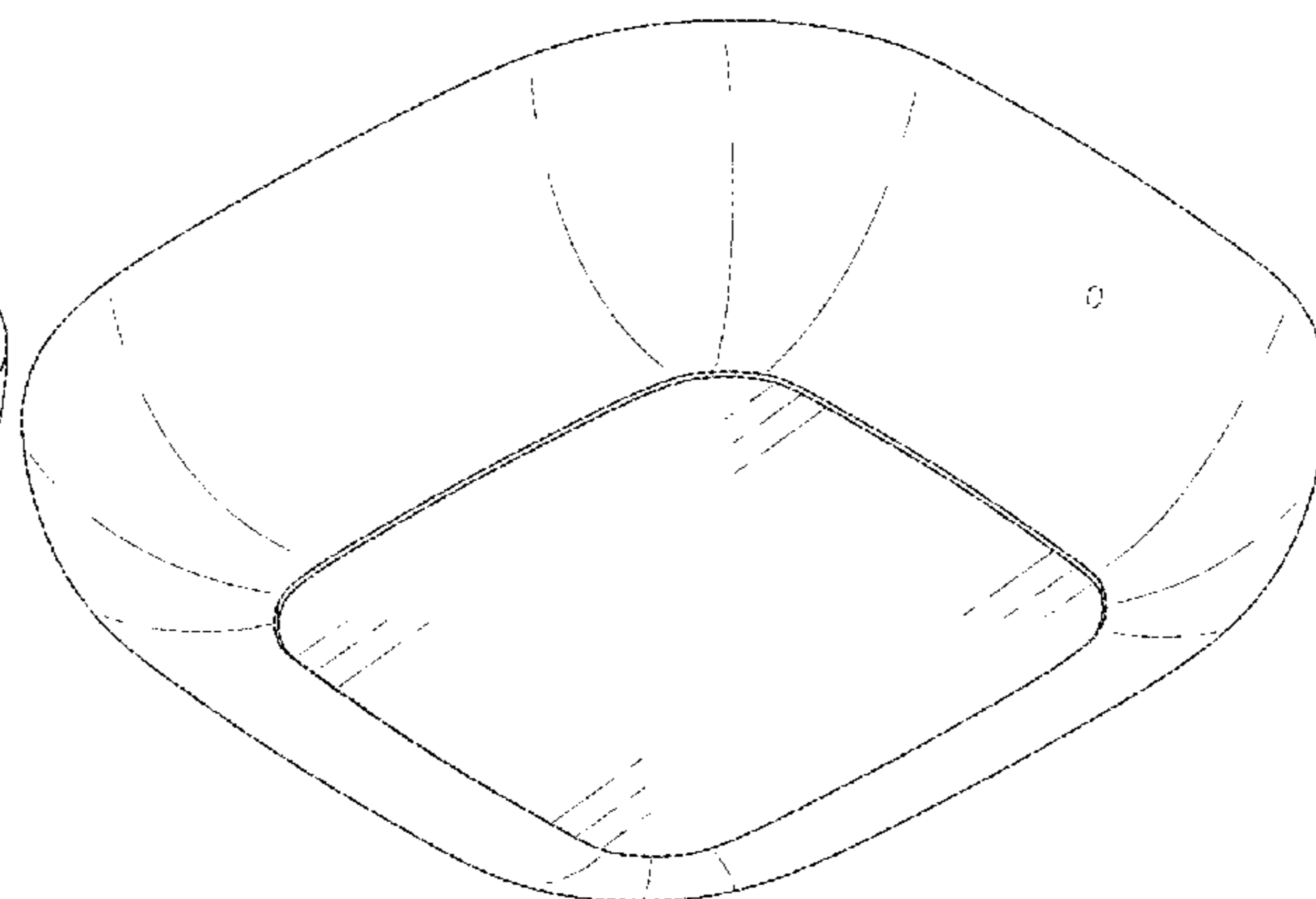
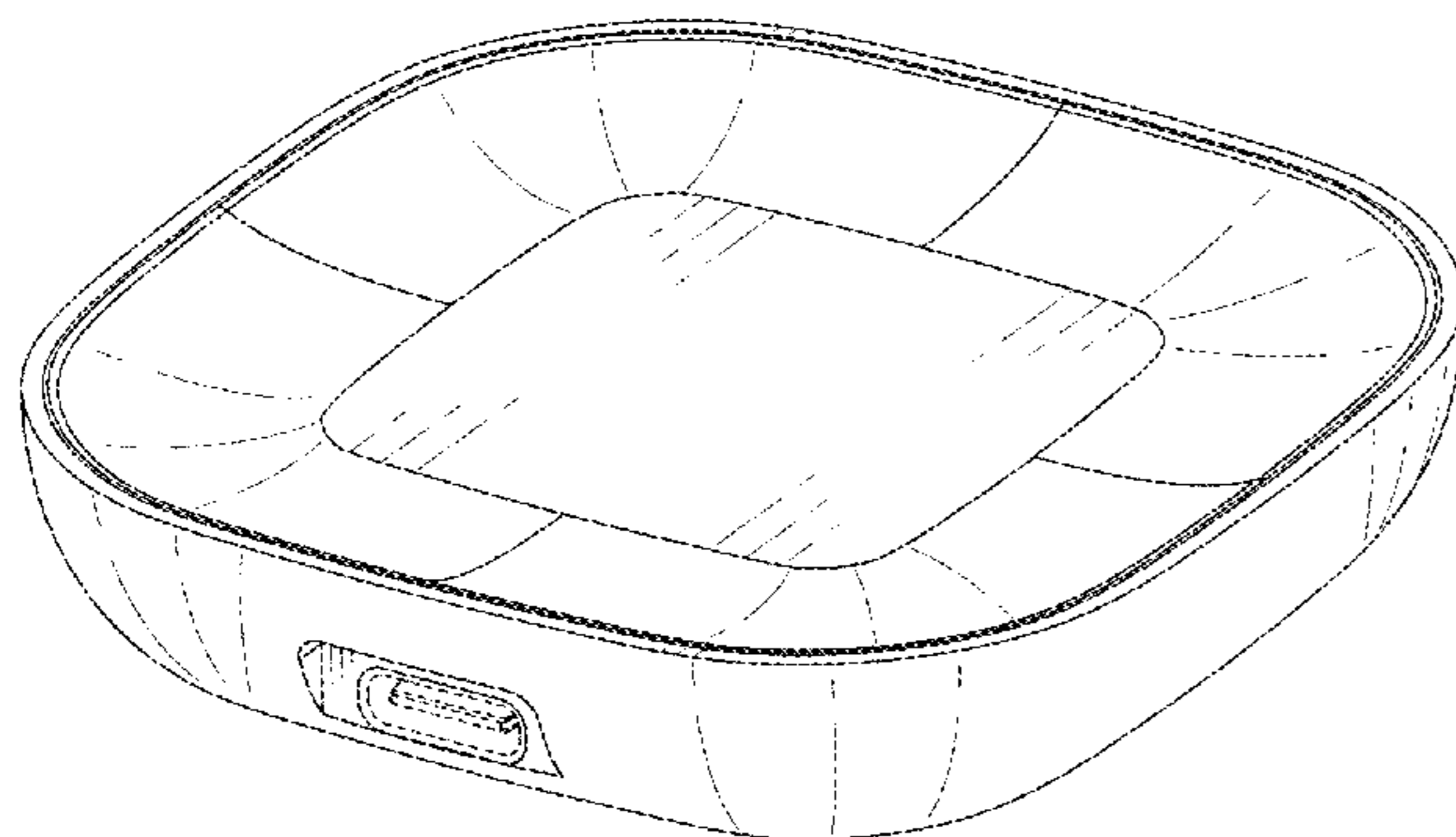
(57) **CLAIM**

The ornamental design for a wireless charger, as shown and described.

DESCRIPTION

FIG. 1 is a perspective view of a wireless charger showing my new design;
FIG. 2 is a front view thereof;
FIG. 3 is a rear view thereof;
FIG. 4 is a left side view thereof;
FIG. 5 is a right side view thereof;
FIG. 6 is a top plan view thereof;
FIG. 7 is a bottom plan view thereof; and,
FIG. 8 is another perspective view thereof.
The broken lines in the drawings illustrate portions of the wireless charger that form no part of the claimed design.

1 Claim, 8 Drawing Sheets



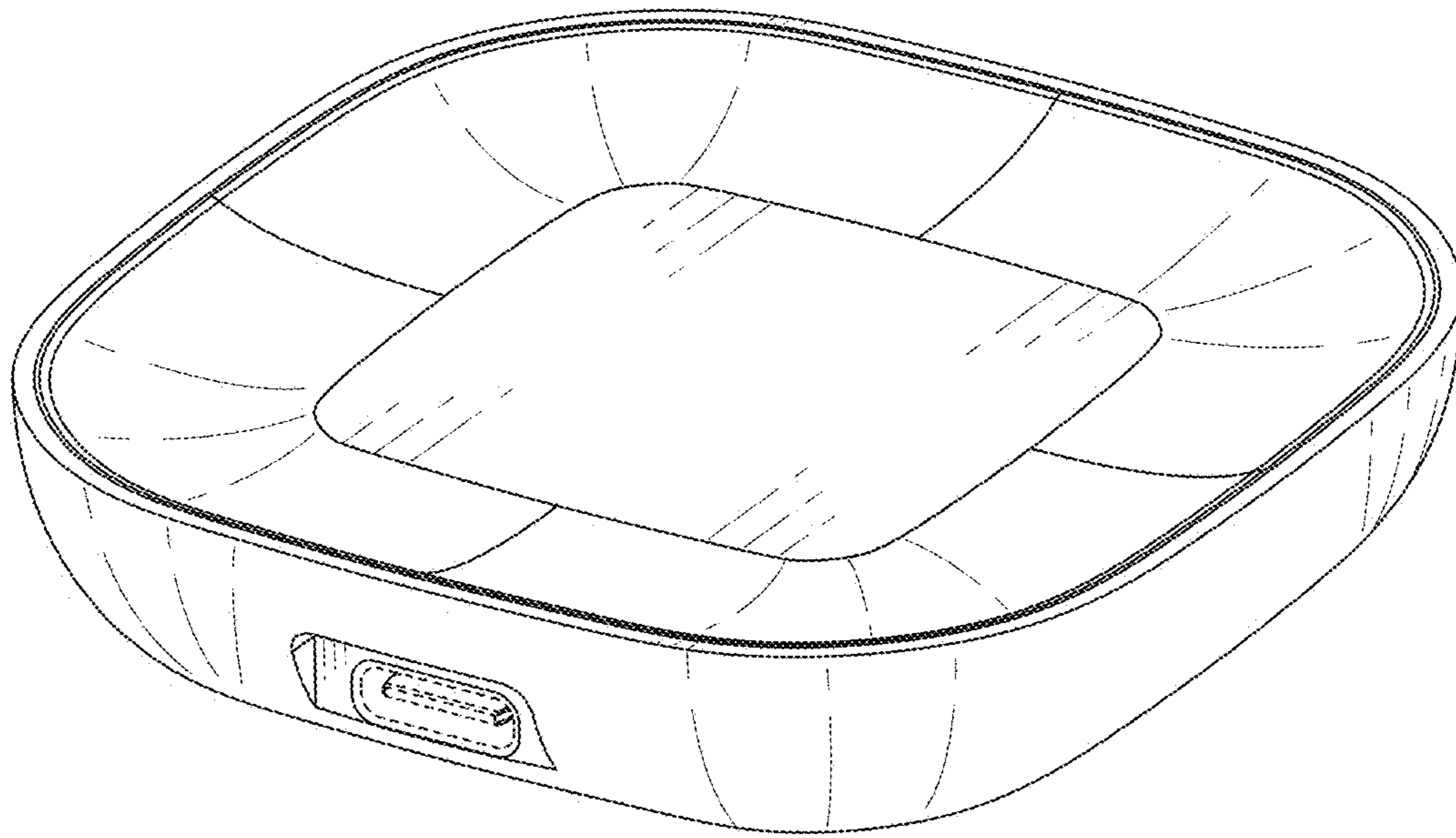


FIG.1

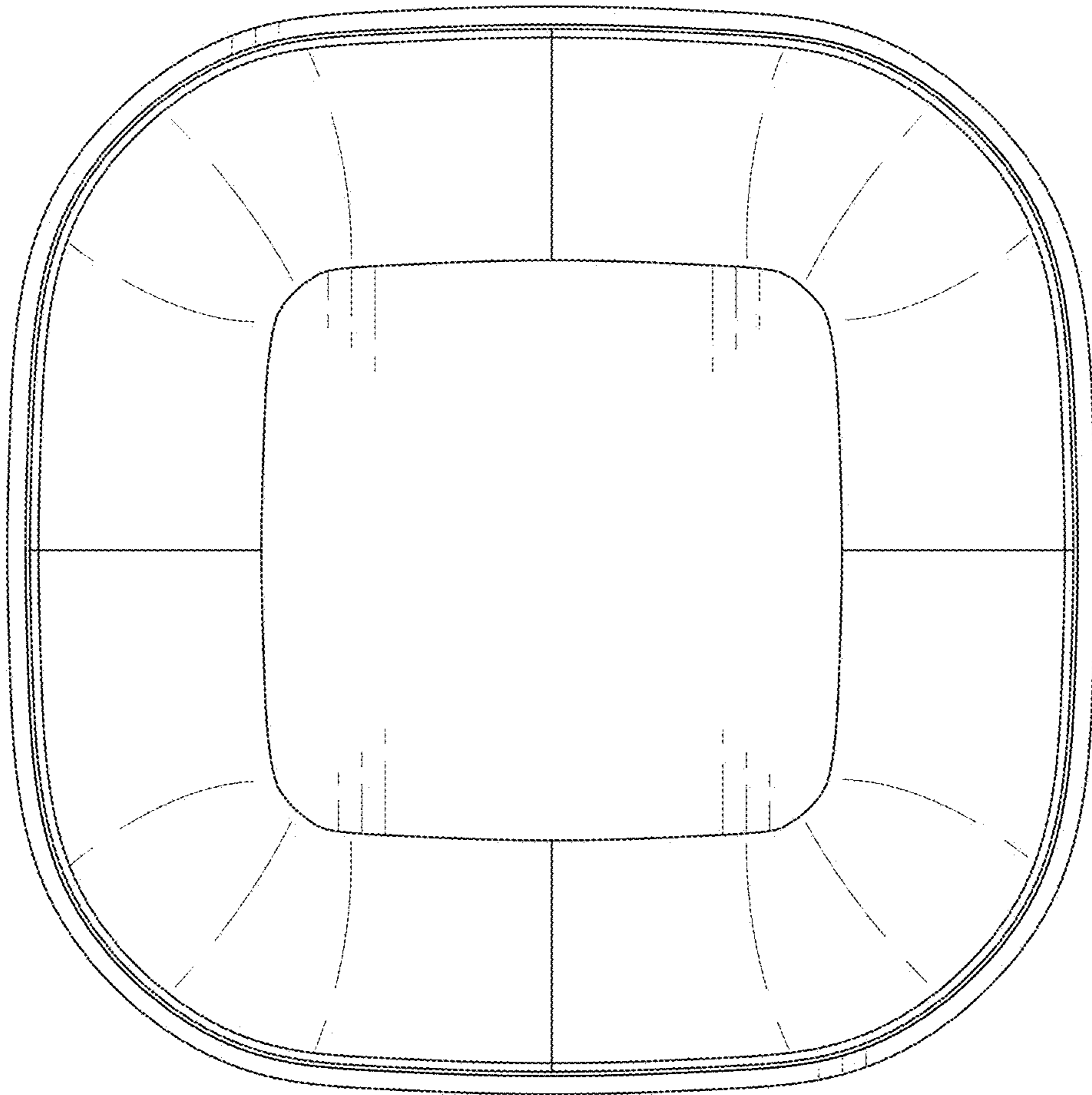


FIG. 2

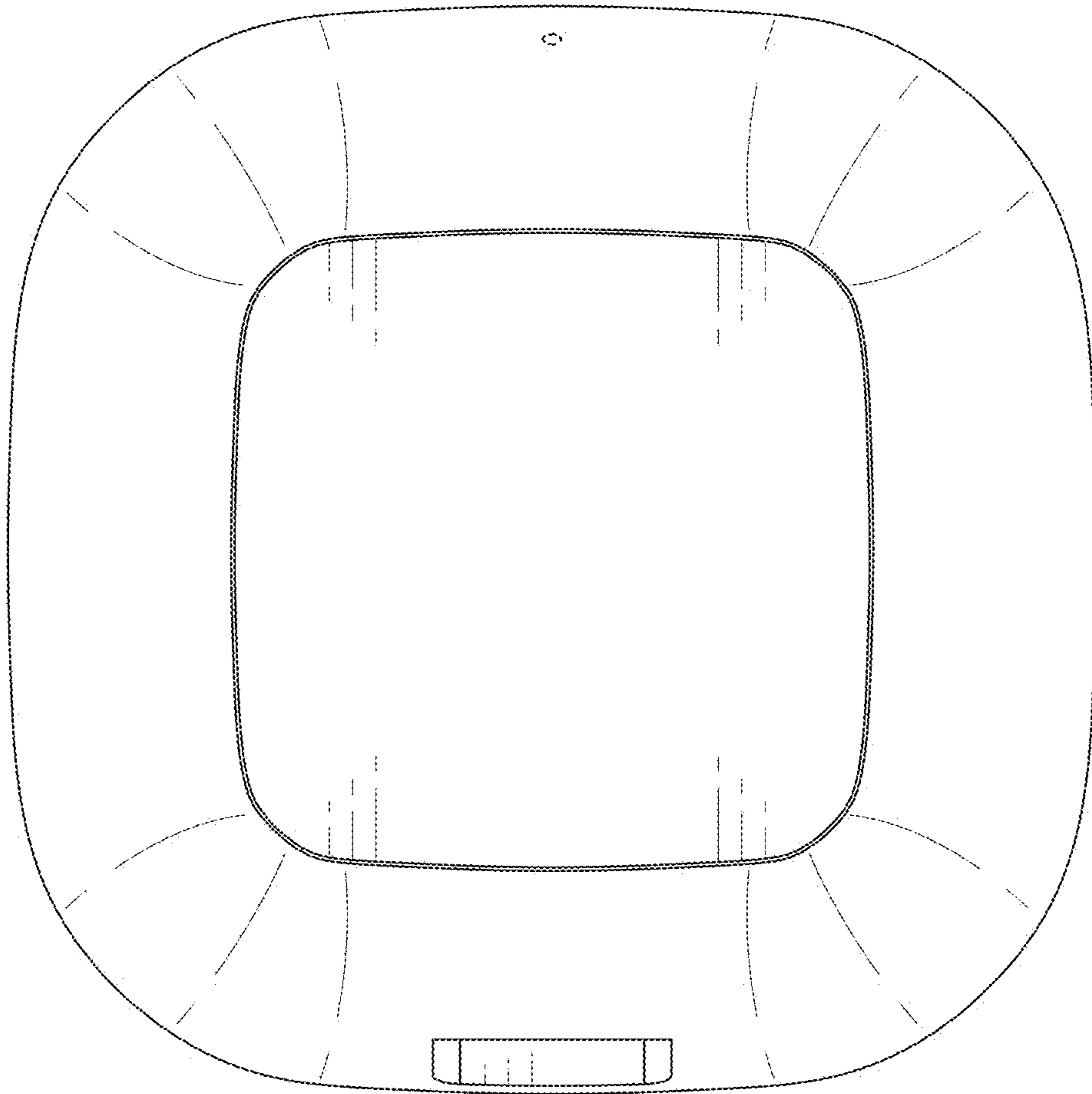


FIG.3

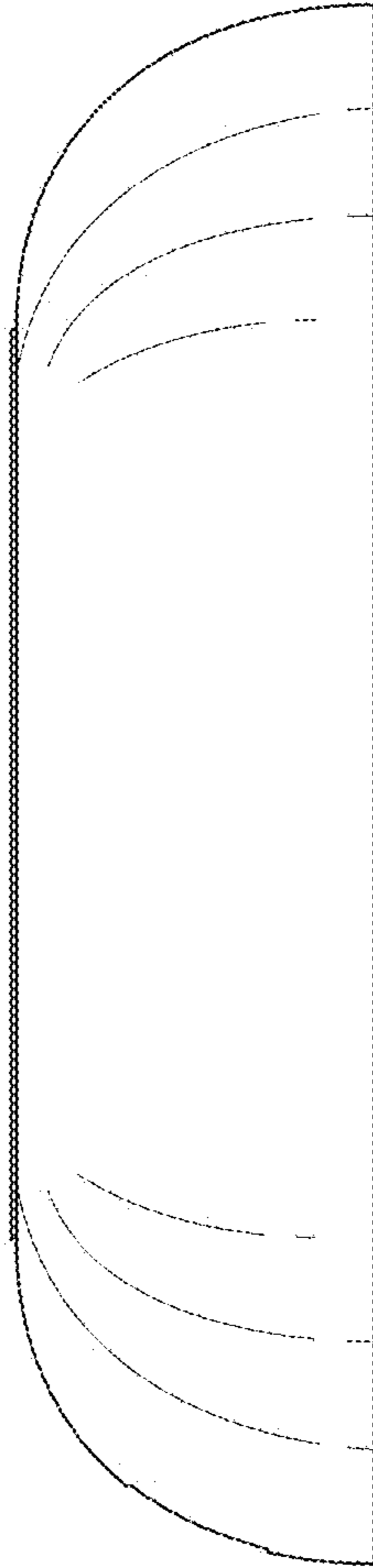


FIG.4

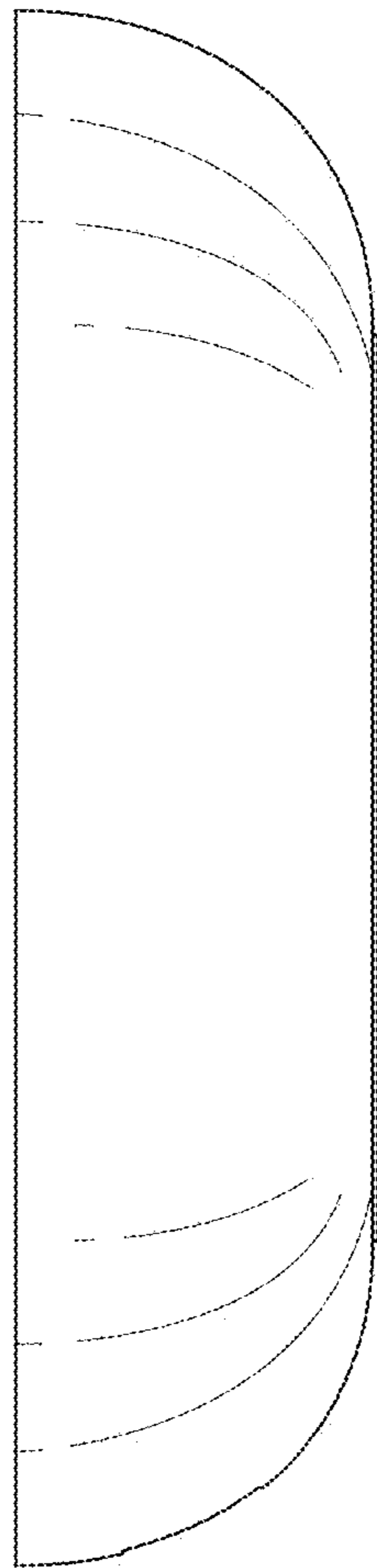


FIG.5

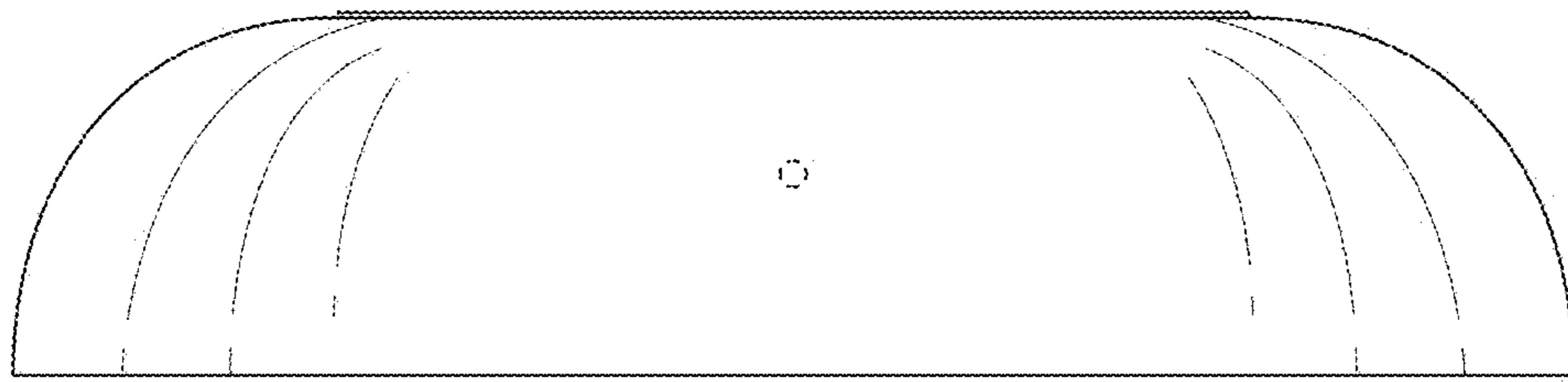


FIG.6

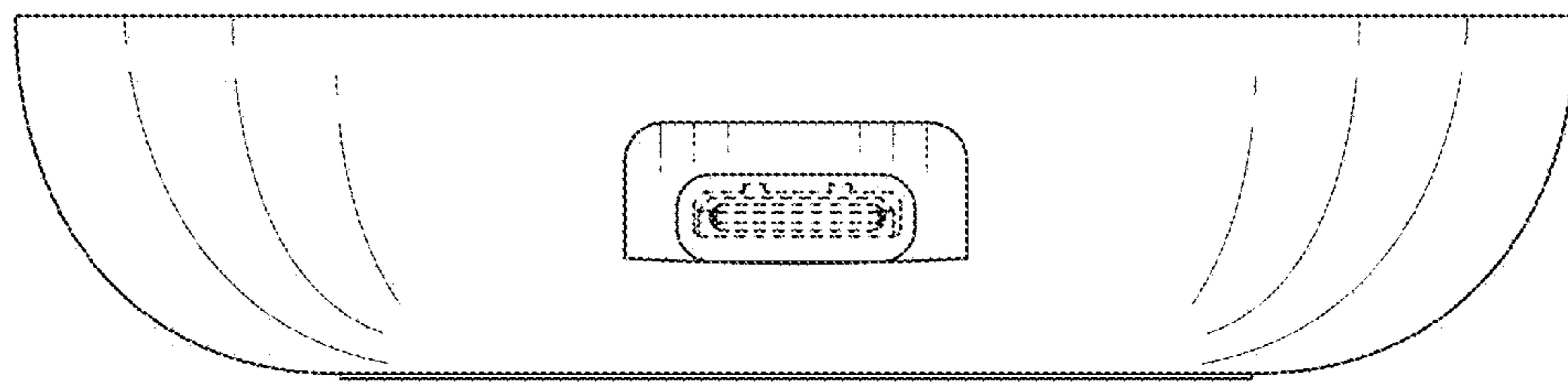


FIG.7

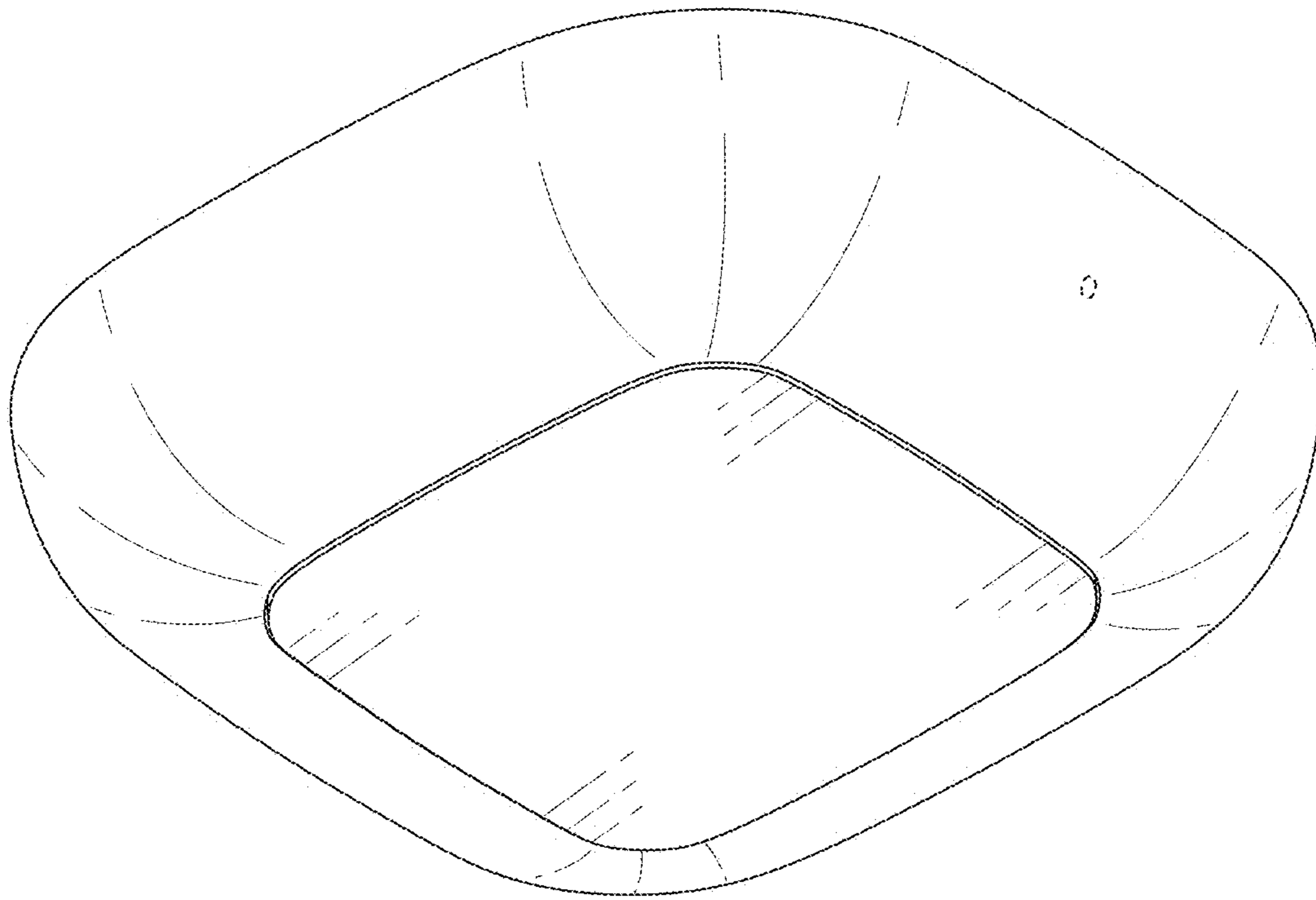


FIG.8