



US00D945964S

(12) **United States Design Patent**
Gong et al.

(10) **Patent No.:** **US D945,964 S**

(45) **Date of Patent:** **** Mar. 15, 2022**

(54) **CHARGING CRADLE**

(71) Applicant: **SYMBOL TECHNOLOGIES, LLC**,
Holtsville, NY (US)

(72) Inventors: **Frank Gong**, Syosset, NY (US);
Huang Chih Huang, Taoyuan (TW);
Ian R. Jenkins, Stony Brook, NY (US);
Heng Zhang, East Setauket, NY (US)

(73) Assignee: **Symbol Technologies, LLC**, Holtsville,
NY (US)

(**) Term: **15 Years**

(21) Appl. No.: **29/748,600**

(22) Filed: **Aug. 31, 2020**

Related U.S. Application Data

(63) Continuation of application No. 29/606,131, filed on
Jun. 1, 2017, now Pat. No. Des. 897,947.

(51) **LOC (13) Cl.** **13-02**

(52) **U.S. Cl.**
USPC **D13/108**

(58) **Field of Classification Search**

USPC D13/103, 107-110, 118, 119, 146, 147,
D13/153, 155, 184, 199, 154; D32/31;
D8/356, 358
CPC Y02E 60/12; H02J 7/025; H02J 7/0042;
H02J 7/0044; H02J 7/0045; H02J 7/0003;
H02J 7/0027; H02J 7/0013; H02J 7/0054;
H02J 7/00; H02J 2001/008; H02J 3/32;
H02J 3/008; H01F 38/14; H01R 13/6675;
H01M 2/1022; H01M 2/1055; H01M
10/44; H01M 10/46; H01M 10/425; B60L
11/182; B60L 11/1809; B60L 11/1861;
B60R 16/03

See application file for complete search history.

(56) **References Cited**

U.S. PATENT DOCUMENTS

D358,821 S *	5/1995	Hellier	D13/108
D399,821 S *	10/1998	Tyneski	D13/118
D561,182 S *	2/2008	Jenkins	D14/149
D620,882 S *	8/2010	Houghton	D13/108
D621,347 S *	8/2010	Aulwes	D13/108
D702,665 S *	4/2014	Kim	D14/217
D717,290 S *	11/2014	Shen	D14/253
D736,707 S *	8/2015	Kaminsky	D13/118
D774,453 S *	12/2016	Yoneta	D13/108
D788,035 S *	5/2017	Bang	D13/108
D799,494 S *	10/2017	Lee	D14/447
D817,872 S *	5/2018	Oguchi	D13/107
D820,782 S *	6/2018	Wang	D13/107
D835,611 S *	12/2018	Yun	D14/224
D841,576 S *	2/2019	Nauroy	D13/108
D847,739 S *	5/2019	Yun	D13/108
D861,600 S *	10/2019	Choi	D13/108
D871,332 S *	12/2019	Liao	D13/108

(Continued)

Primary Examiner — Christy Nemeth

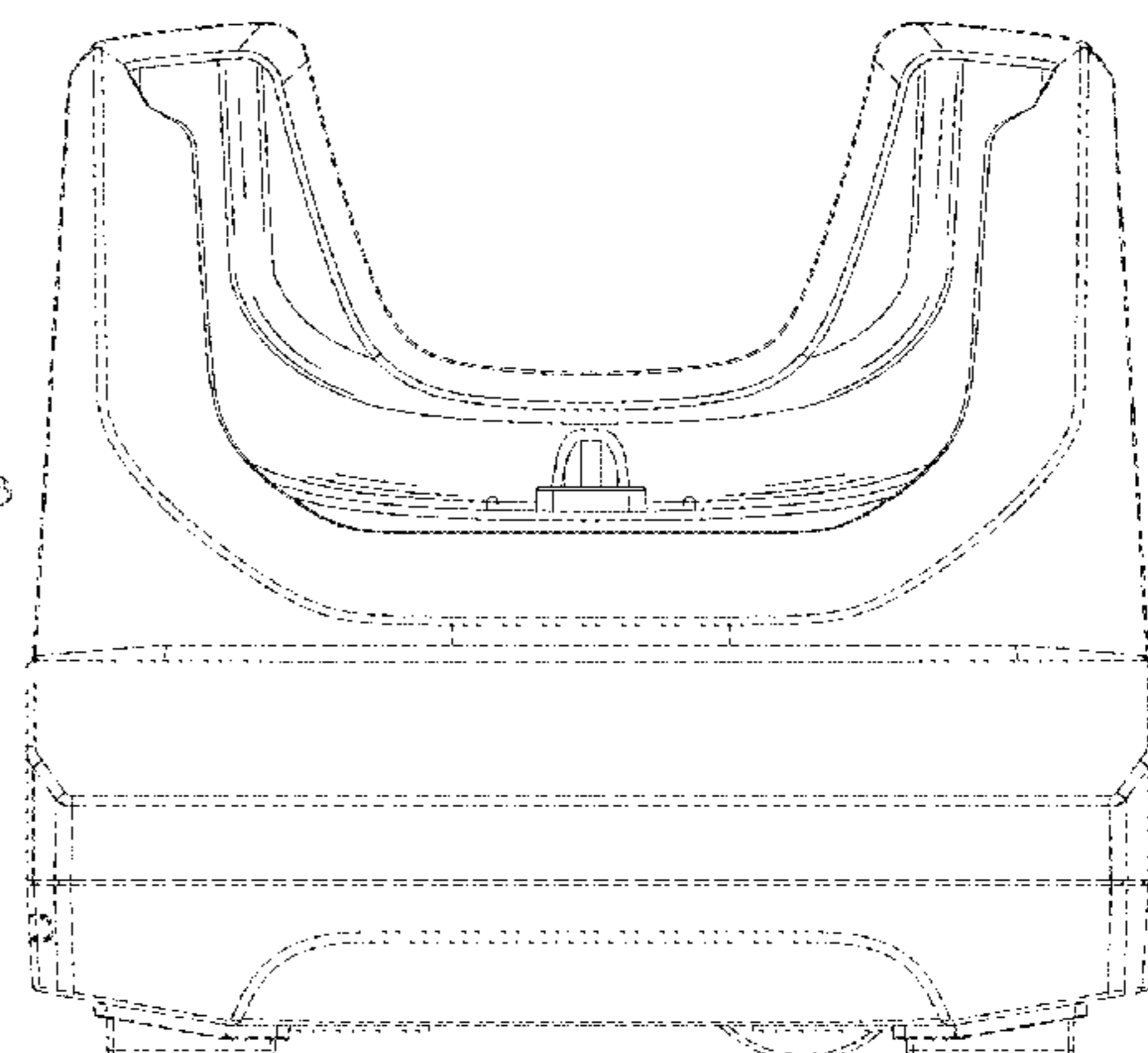
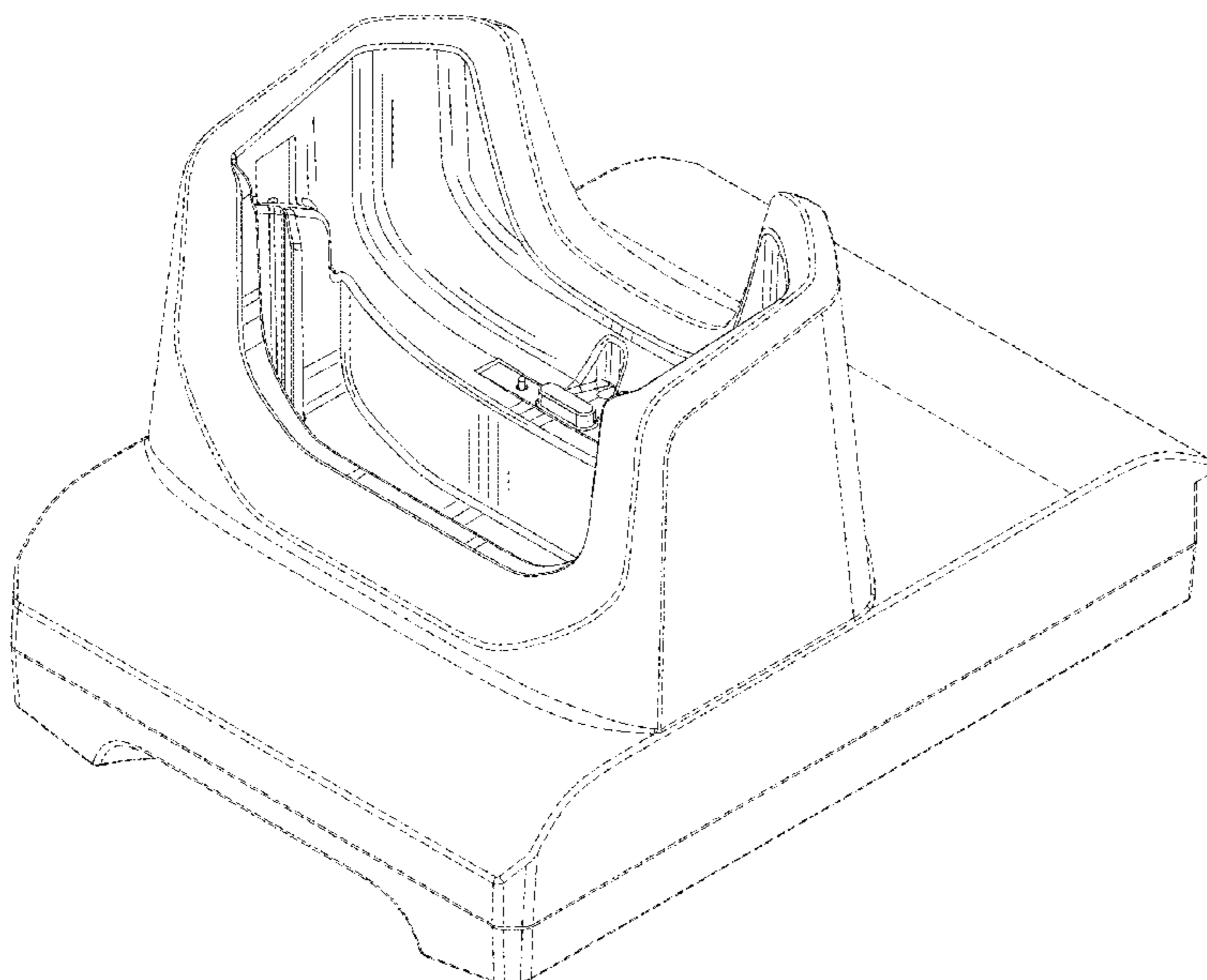
(57) **CLAIM**

We claim the ornamental design for a charging cradle, as
shown and described.

DESCRIPTION

FIG. 1 is a front and top view of a charging cradle;
FIG. 2 is a rear and bottom perspective view thereof;
FIG. 3 is a front view thereof;
FIG. 4 is a back view thereof;
FIG. 5 is a right side view thereof;
FIG. 6 is a left side view thereof;
FIG. 7 is a top view thereof; and,
FIG. 8 is a bottom view thereof.
The broken lines in the drawings are for illustrating portions
of the charging cradle that form no part of the claimed
design.

1 Claim, 8 Drawing Sheets



(56)

References Cited

U.S. PATENT DOCUMENTS

D892,042 S * 8/2020 Hernandez D13/108
D896,175 S * 9/2020 Staff D13/108
D897,947 S * 10/2020 Gong D13/107
D908,963 S * 1/2021 Lambrecht D28/52
D915,275 S * 4/2021 Wersland D13/108
D916,014 S * 4/2021 Wersland D13/108
D922,948 S * 6/2021 Wang D13/108
2014/0084865 A1 * 3/2014 Yeh H02J 7/0044
320/110
2019/0334358 A1 * 10/2019 Fountain H02J 7/0044

* cited by examiner

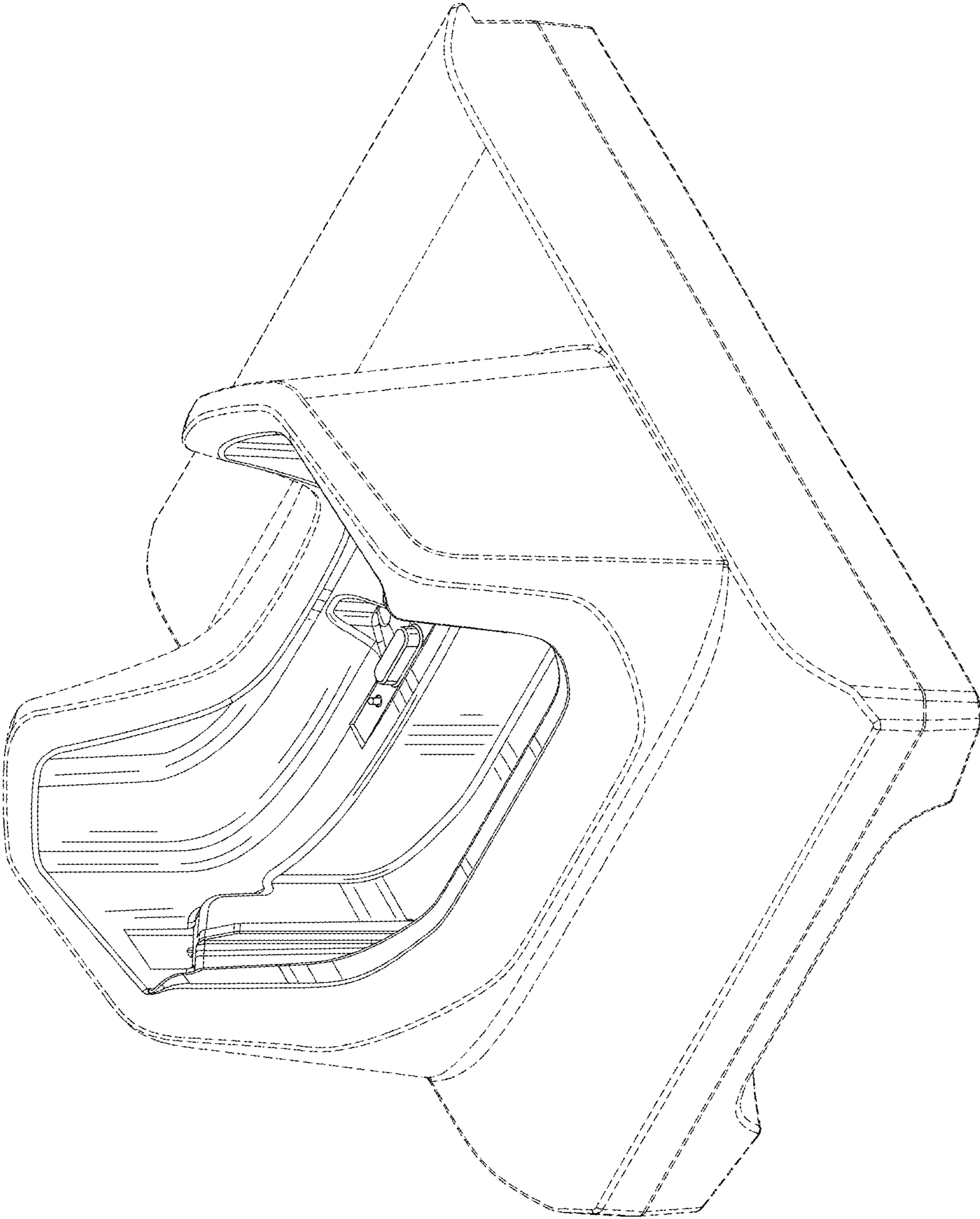


FIG. 1

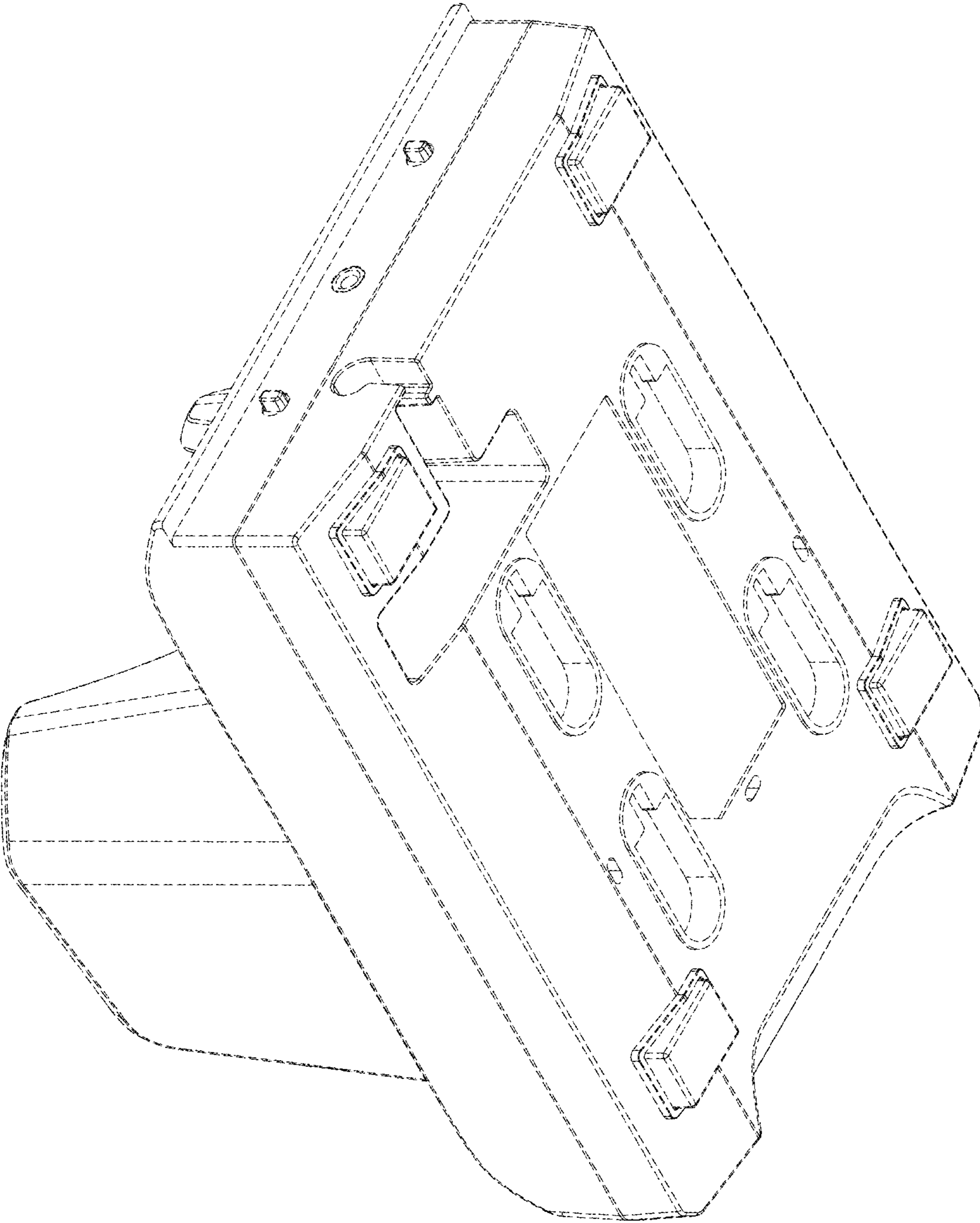


FIG. 2

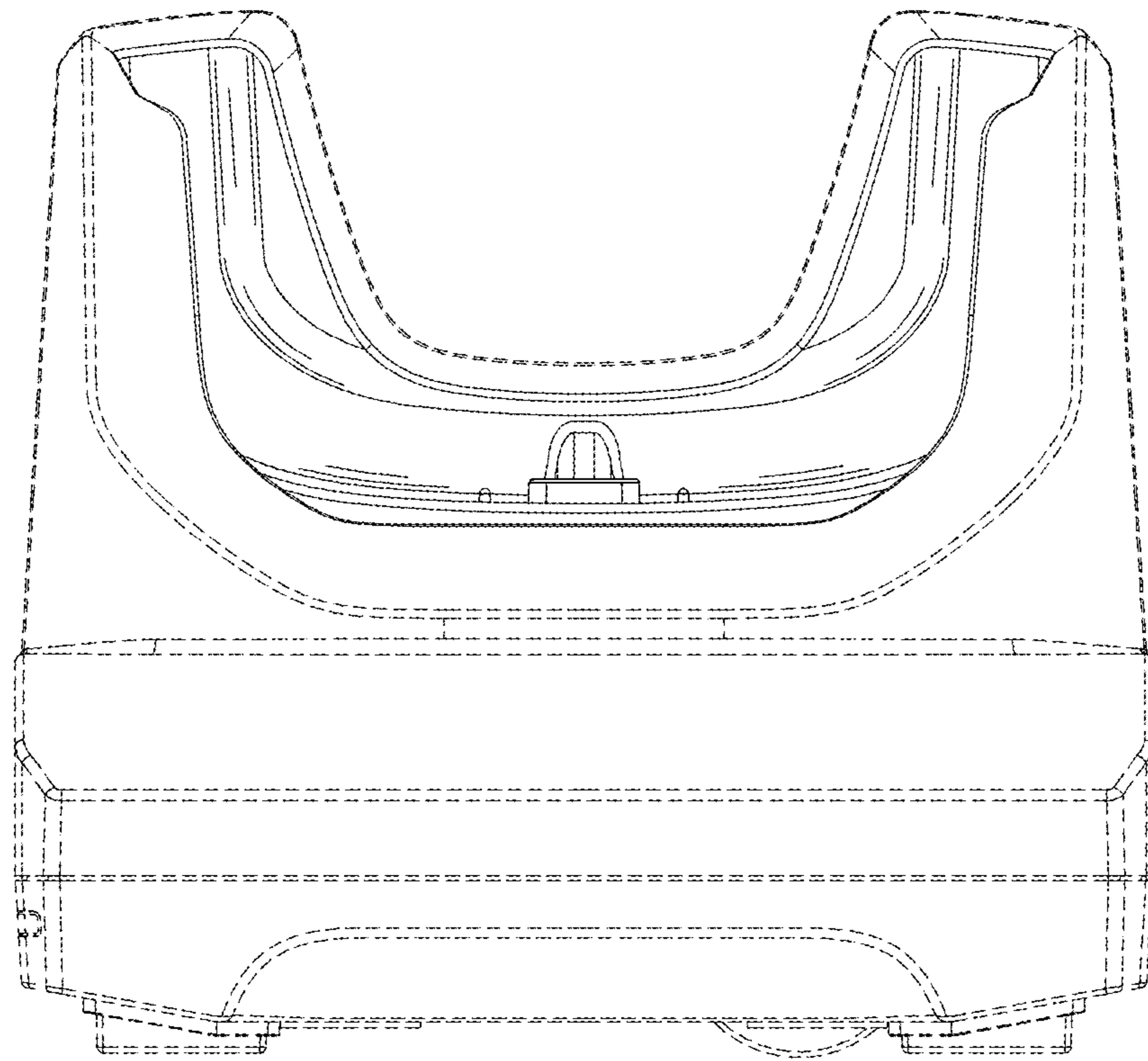


FIG. 3

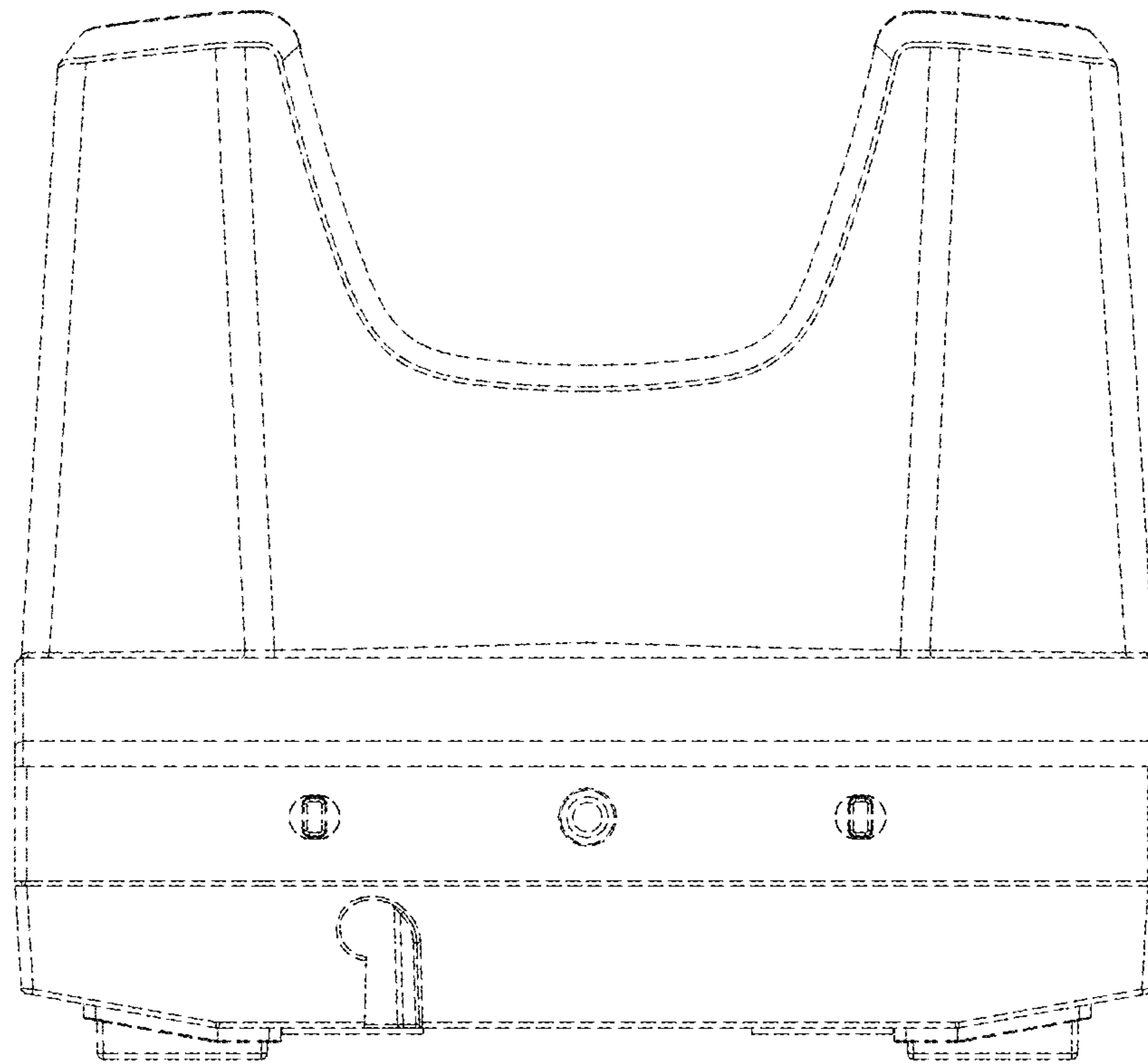


FIG. 4

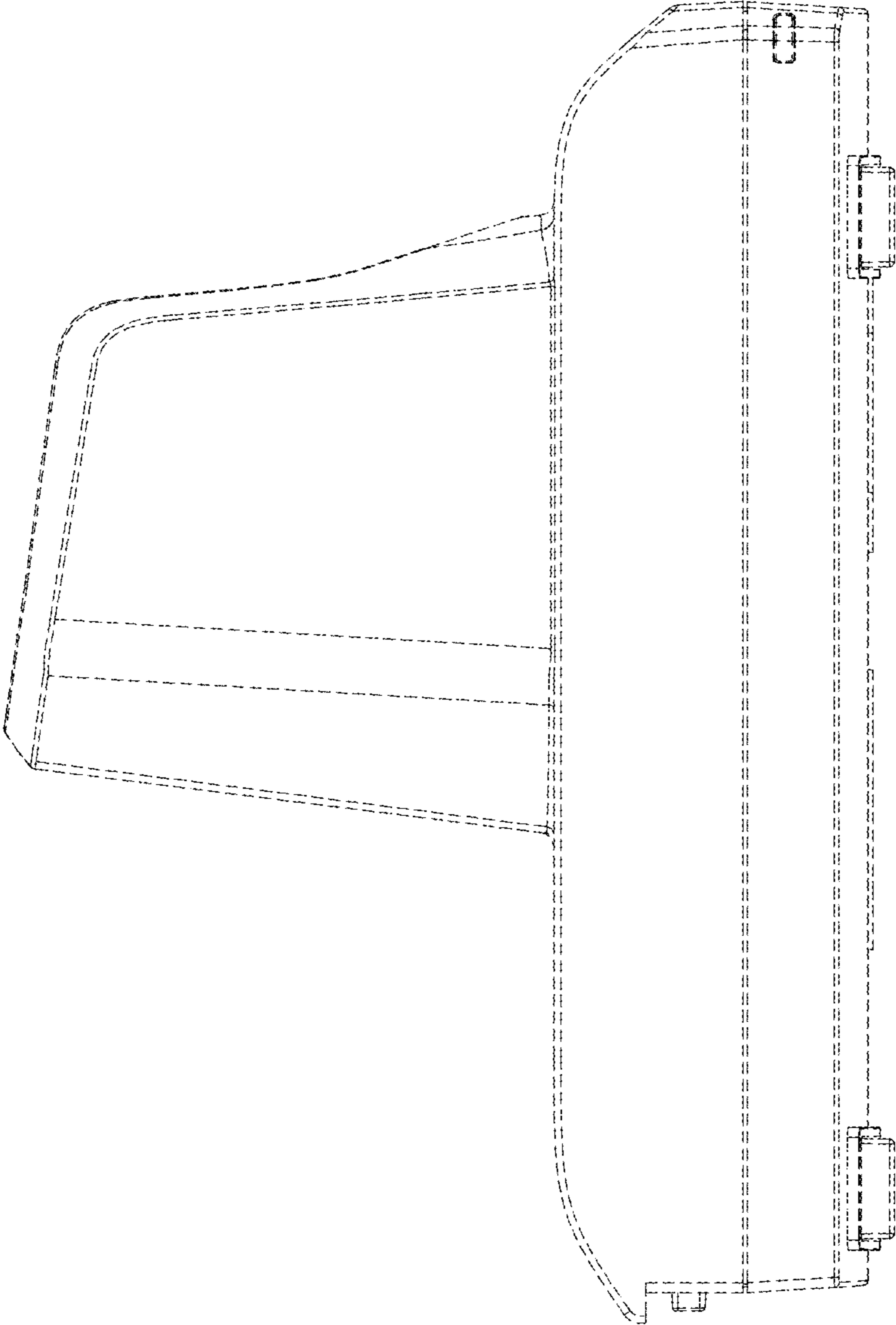


FIG. 5

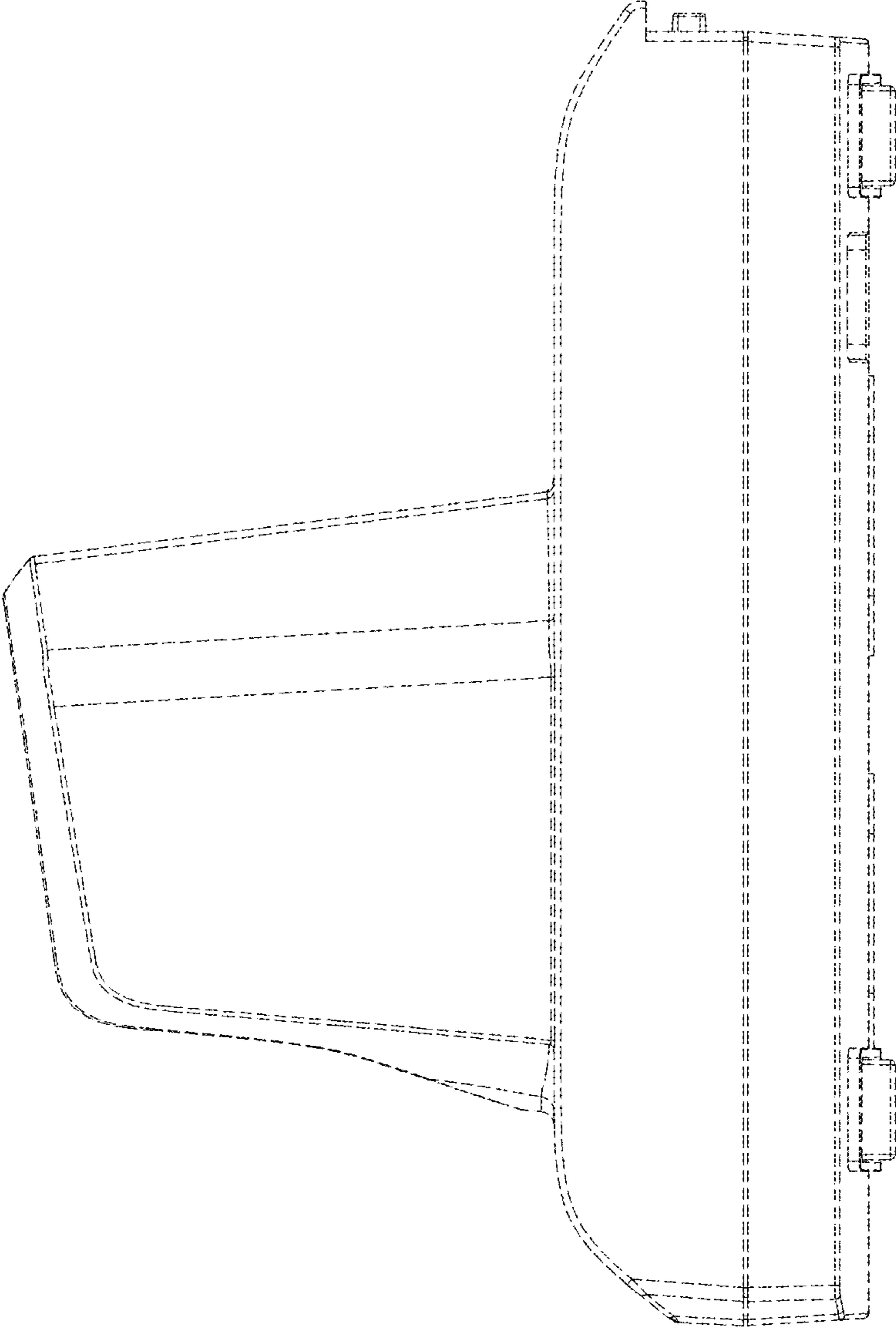


FIG. 6

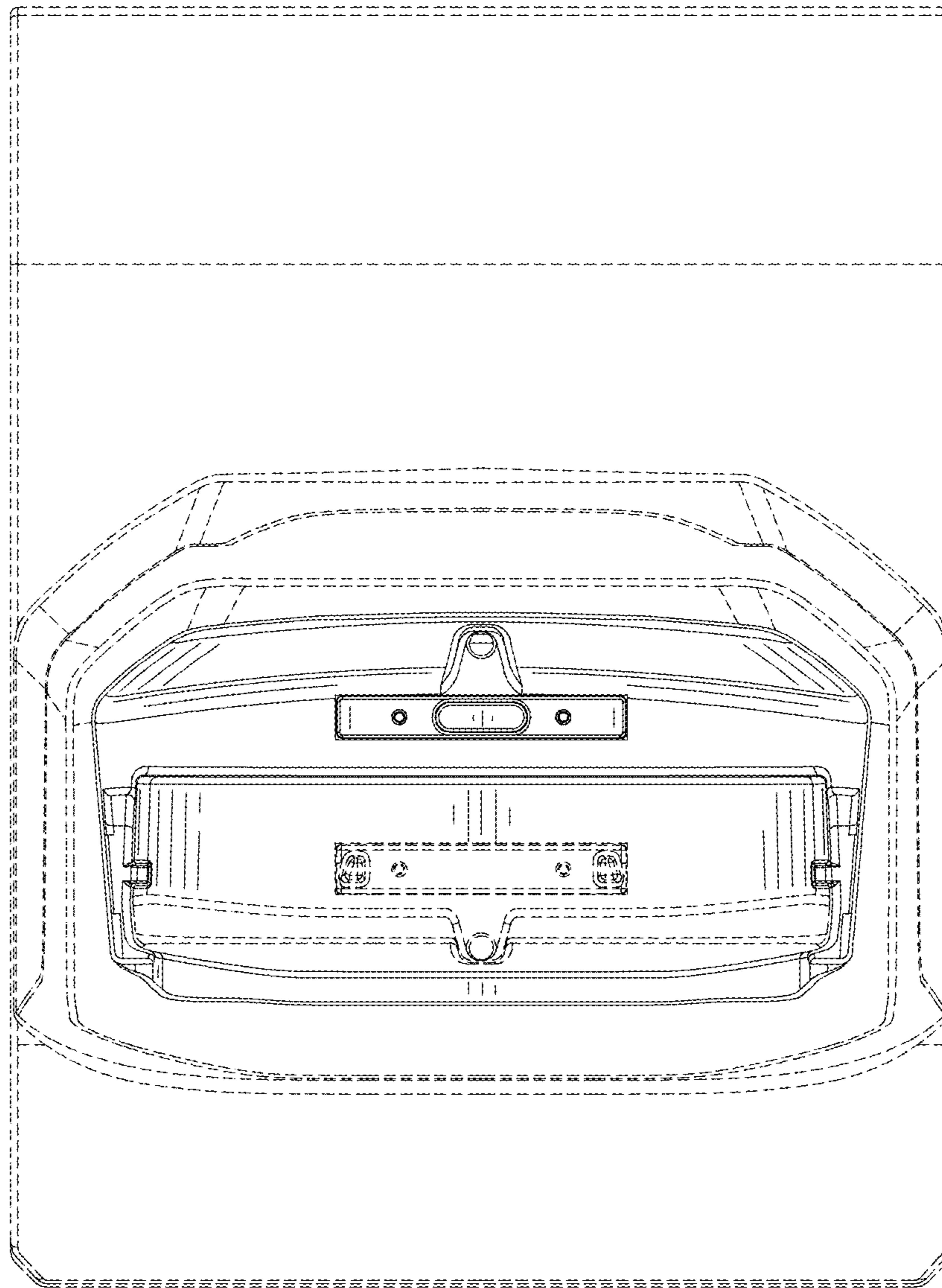


FIG. 7

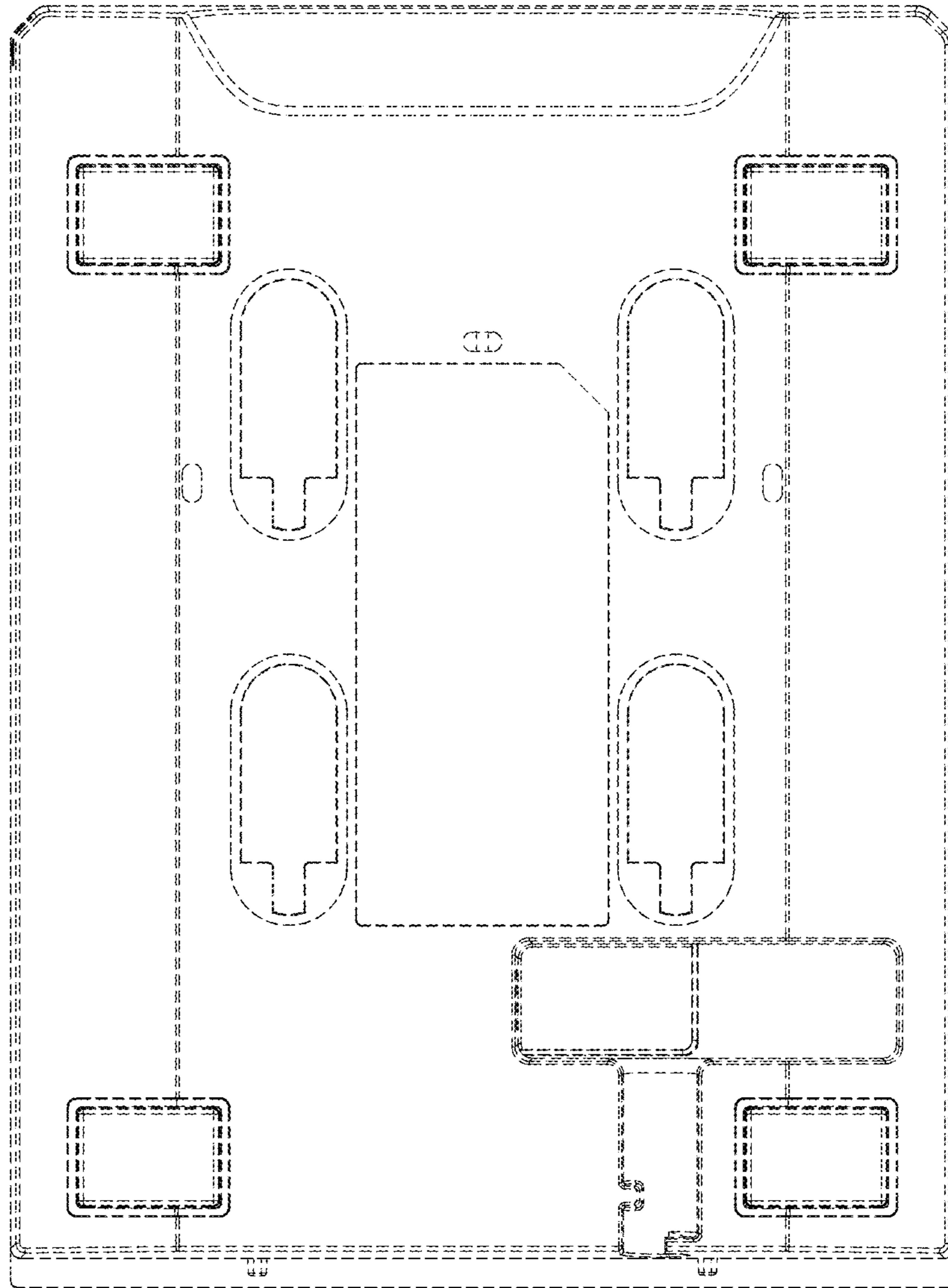


FIG. 8