



US00D945963S

(12) **United States Design Patent**
Wu et al.

(10) **Patent No.:** **US D945,963 S**
(45) **Date of Patent:** **** Mar. 15, 2022**

(54) **CHARGING CASE FOR WIRELESS
EARBUDS**

(71) Applicant: **SHENZHEN GRANDSUN
ELECTRONIC CO., LTD.,**
Guangdong (CN)

(72) Inventors: **Haiquan Wu**, Guangdong (CN);
Chuan Wang, Guangdong (CN); **Weili
Chen**, Guangdong (CN)

(73) Assignee: **SHENZHEN GRANDSUN
ELECTRONIC CO., LTD.,** Shenzhen
(CN)

(**) Term: **15 Years**

(21) Appl. No.: **29/739,324**

(22) Filed: **Jun. 24, 2020**

(30) **Foreign Application Priority Data**

Jan. 3, 2020 (CN) 202030003071.3

(51) **LOC (13) Cl.** **13-02**

(52) **U.S. Cl.**
USPC **D13/108; D3/294**

(58) **Field of Classification Search**
USPC D13/103, 107, 108, 118, 119, 184;
D3/201, 208, 218, 273, 274, 294, 295,
D3/296, 298; D9/414, 420, 423;
D14/223, 251, 432
CPC .. H02J 7/0044; A45C 2011/001; B65D 43/16;
H04R 1/1025

See application file for complete search history.

(56) **References Cited**

U.S. PATENT DOCUMENTS

D806,648 S * 1/2018 Beedham D13/107
D846,264 S * 4/2019 Wu D3/201
D881,810 S * 4/2020 Zhang D13/108
D888,664 S * 6/2020 Ma D13/108

D897,664 S * 10/2020 Li D3/201
D902,589 S * 11/2020 Li D3/295
D919,293 S * 5/2021 Fang D3/295
D921,362 S * 6/2021 Lu D3/294
D921,582 S * 6/2021 Liu D13/108

(Continued)

OTHER PUBLICATIONS

“Noise Shots X5”. Found online Dec. 10, 2020 at youtube.com.
Reference dated Nov. 20, 2018. Retrieved from <https://www.youtube.com/watch?v=oKJE5H5Cavg>. (Year: 2018).*

(Continued)

Primary Examiner — Kendra Leslie Hamilton

Assistant Examiner — Amanda Christensen

(74) *Attorney, Agent, or Firm* — Nixon & Vanderhye,
P.C.

(57) **CLAIM**

The ornamental design for a charging case for wireless earbuds, as shown and described.

DESCRIPTION

FIG. 1 is a top, front, right side perspective view of a charging case for wireless earbuds, shown closed in a first configuration;

FIG. 2 is a bottom, rear, left side perspective view thereof;

FIG. 3 is a front view thereof;

FIG. 4 is a rear view thereof;

FIG. 5 is a left side view thereof;

FIG. 6 is a right side view thereof;

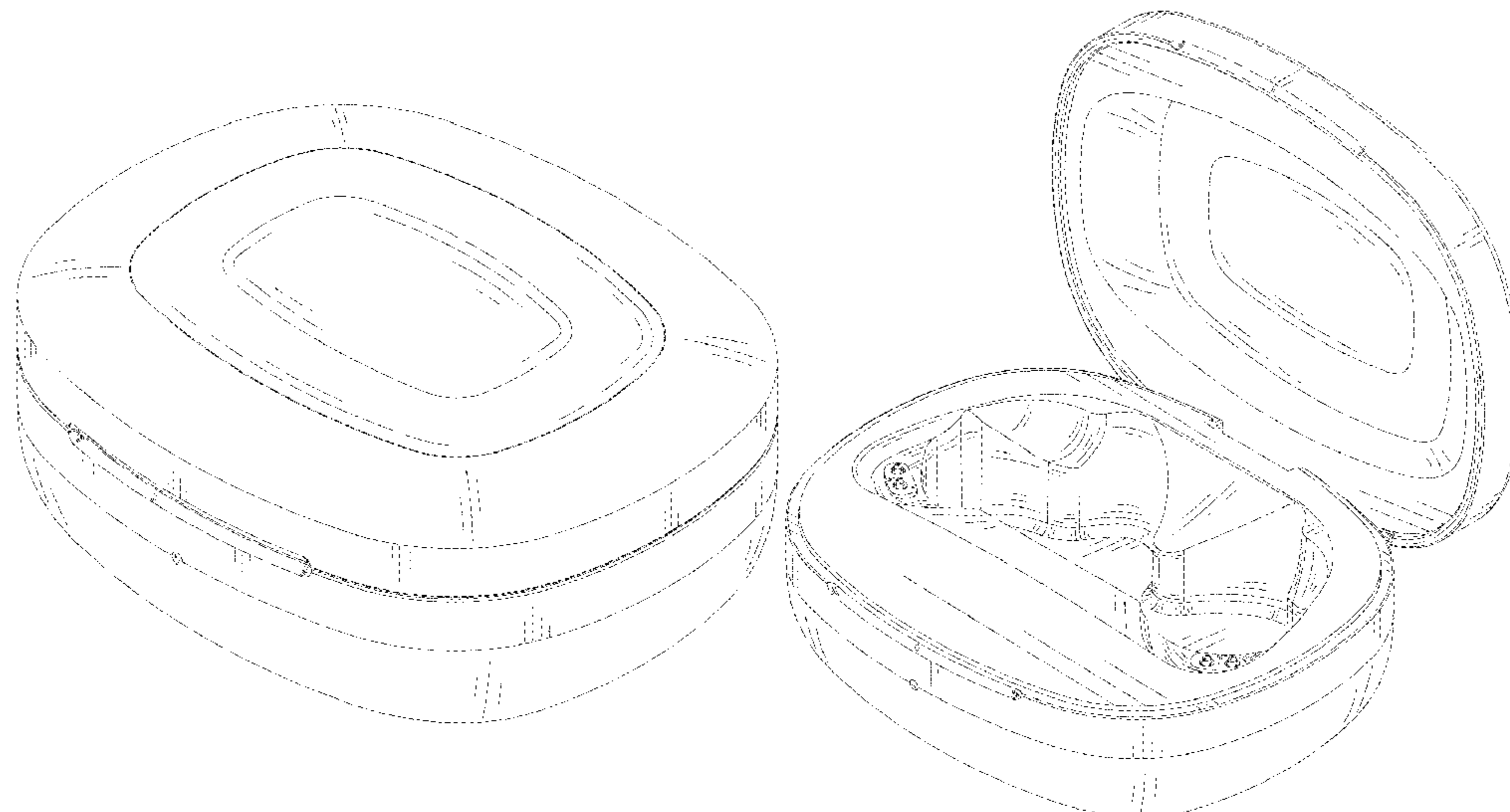
FIG. 7 is a top view thereof;

FIG. 8 is a bottom view thereof; and,

FIG. 9 is a top, front, right side perspective view of the charging case for wireless earbuds of FIG. 1, shown open in a second configuration.

The broken lines in the figures depict portions of the charging case for wireless earbuds that form no part of the claimed design.

1 Claim, 9 Drawing Sheets



(56)

References Cited

U.S. PATENT DOCUMENTS

D924,798 S * 7/2021 Ando D13/108
2020/0099231 A1* 3/2020 Nobre G06F 1/163
2020/0216228 A1* 7/2020 Wang B65D 25/04
2020/0412143 A1* 12/2020 Chang H04R 1/1025

OTHER PUBLICATIONS

“FIIL T1 True Wireless Earphones”. Found online Jul. 14, 2021 at hifigo.com. Reference dated Jul. 31, 2019. Retrieved from <https://hifigo.com/blogs/tws/deep-dive-teardown-of-true-wireless-earbuds-under-100-fiil-t1-hifigo>. (Year: 2019).*

“Haylou T15 Charging Case”. Found online Jul. 14, 2021 at wovow.org. Reference dated Dec. 17, 2019. Retrieved from <https://www.wovow.org/haylou-t15-review-2019-earbuds/> (Year: 2019).*

* cited by examiner

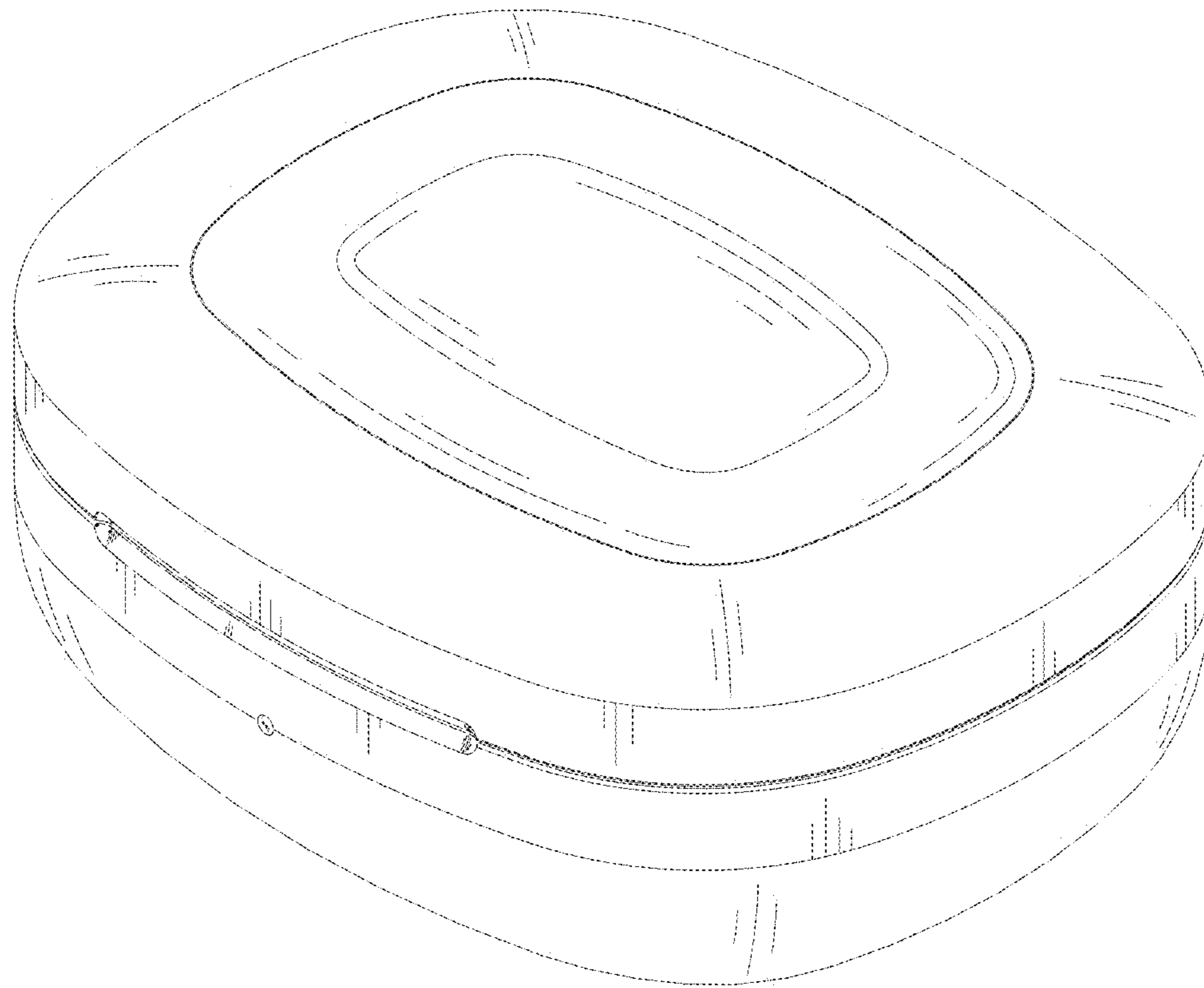


FIG. 1

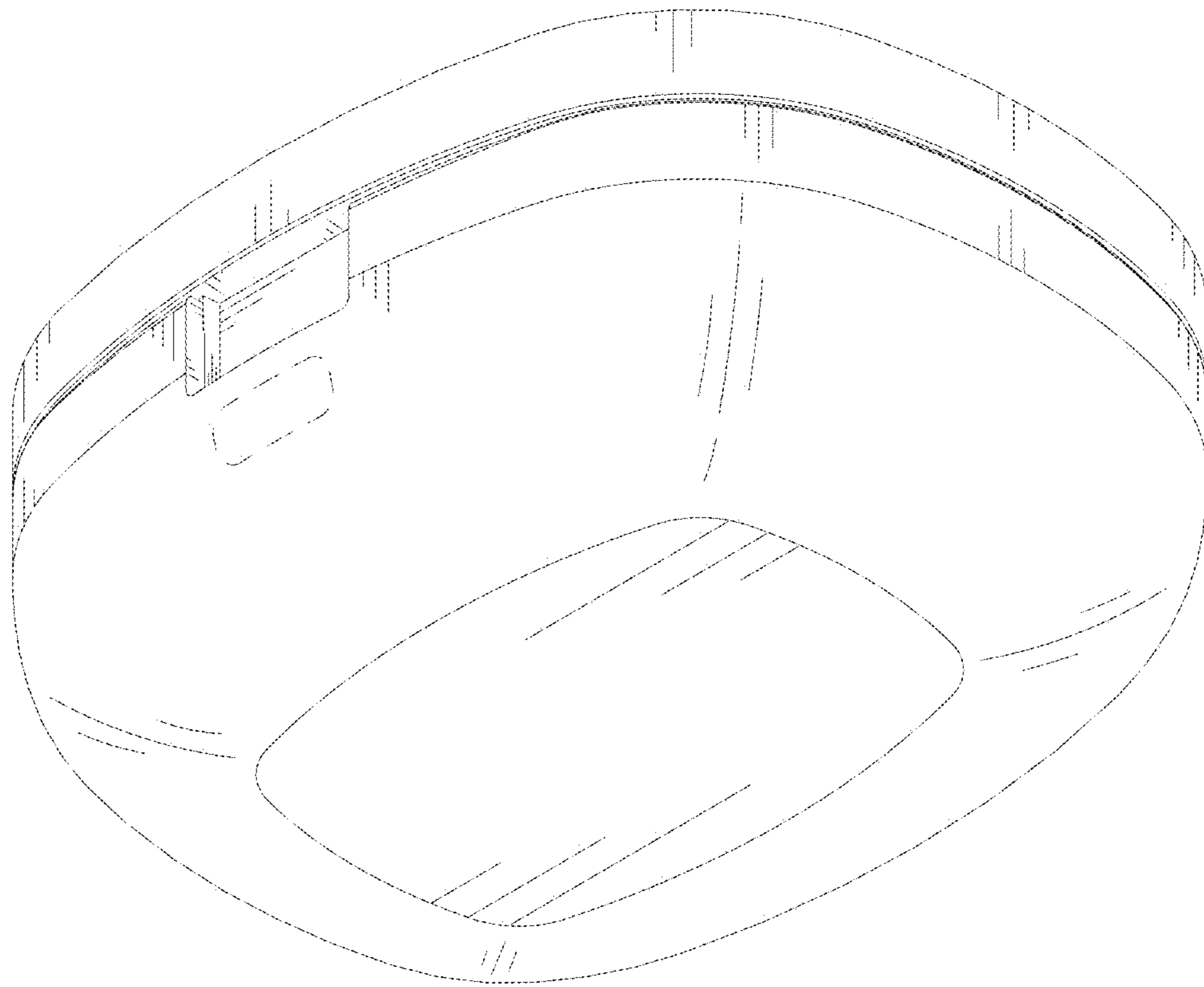


FIG. 2

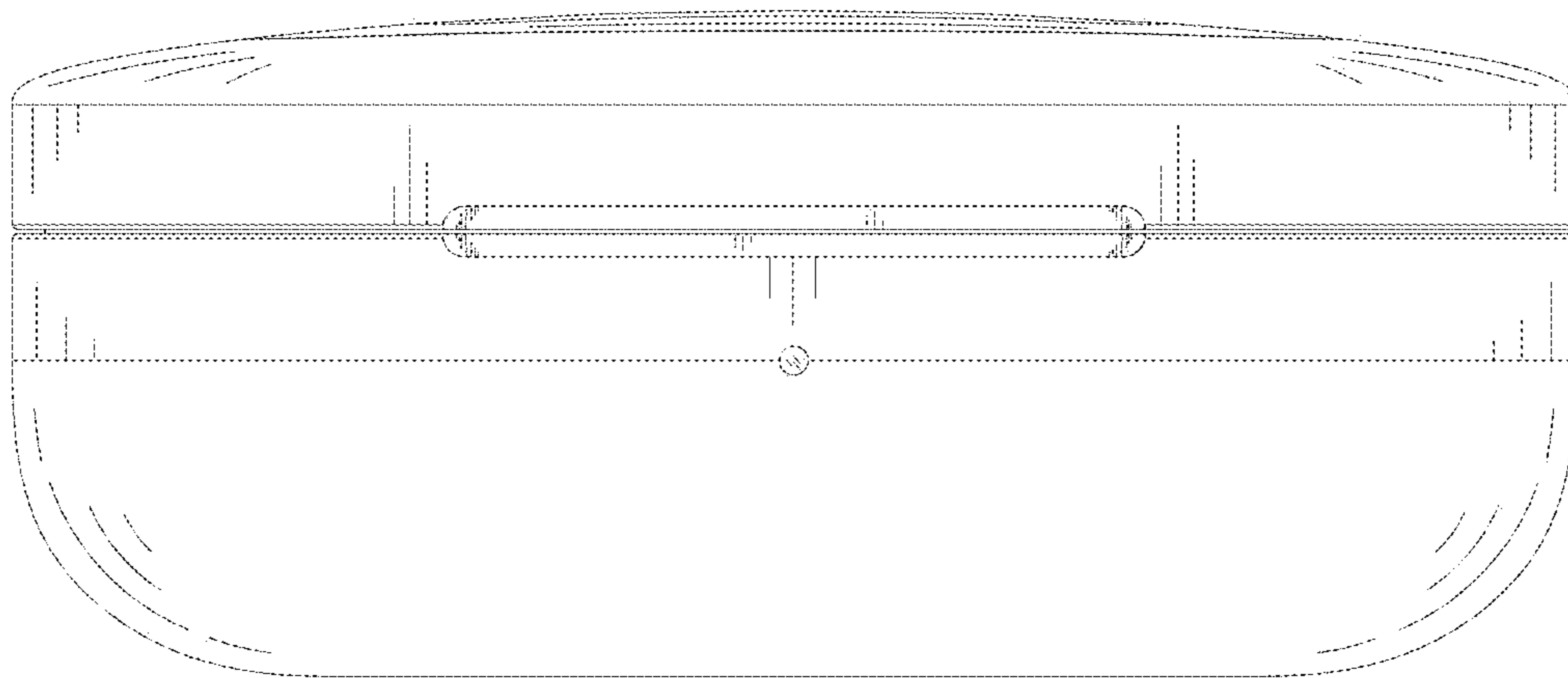


FIG. 3

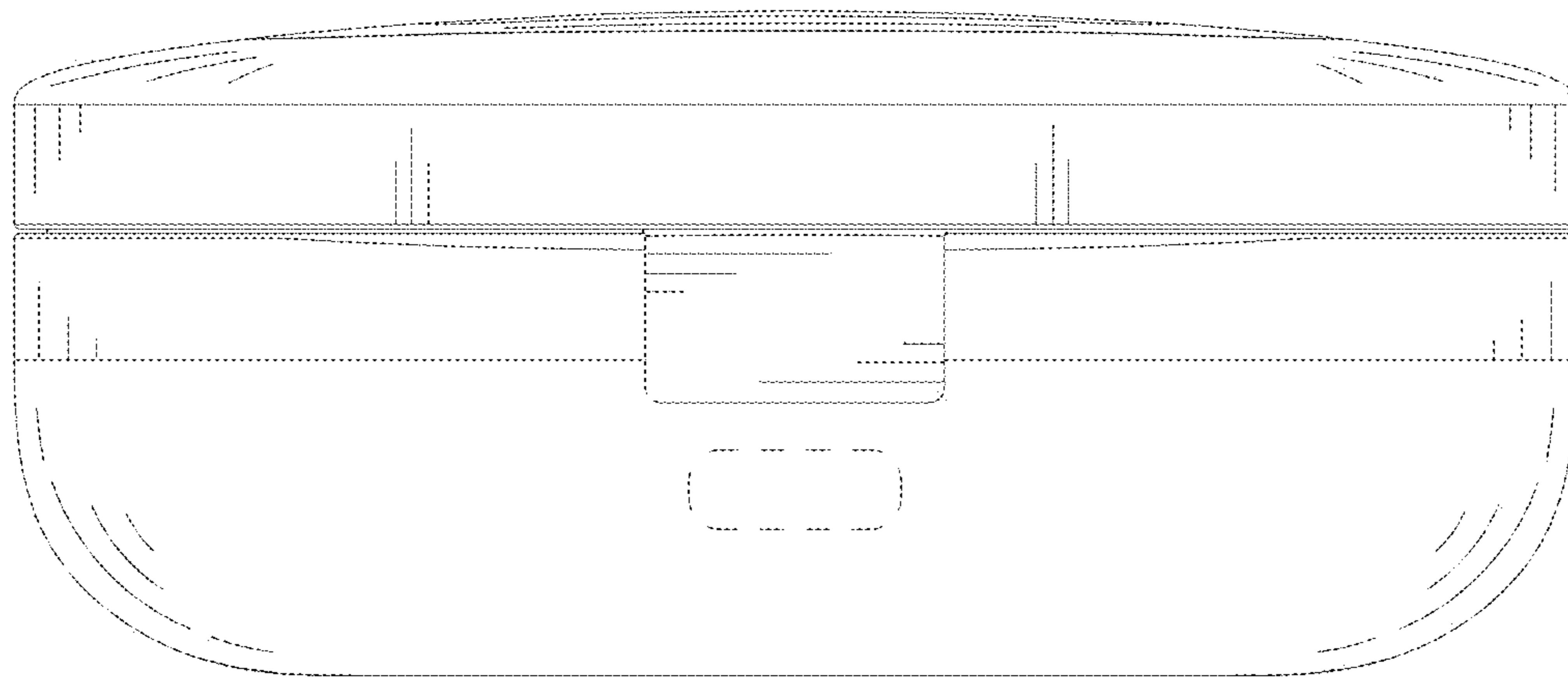


FIG. 4

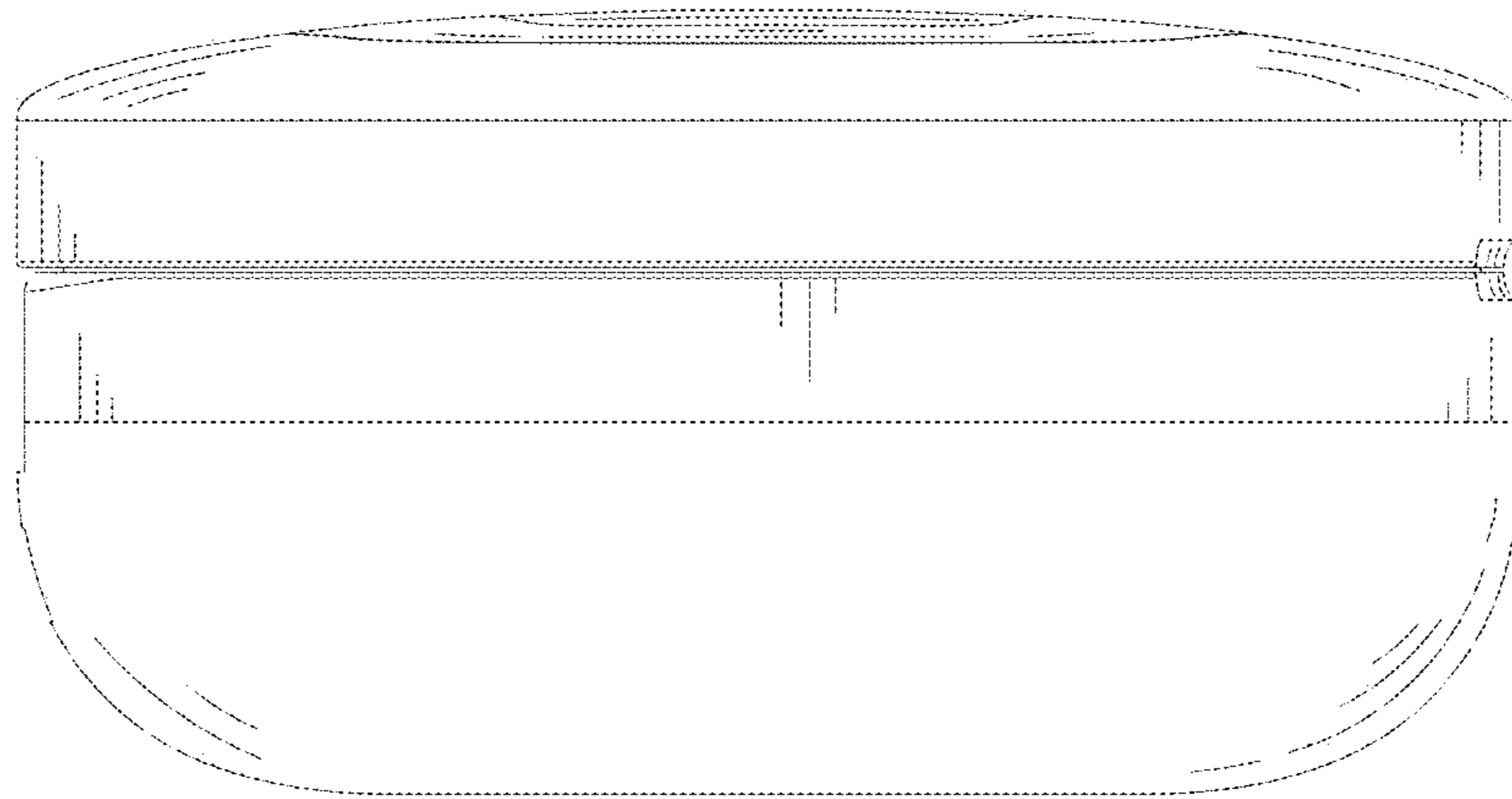


FIG. 5

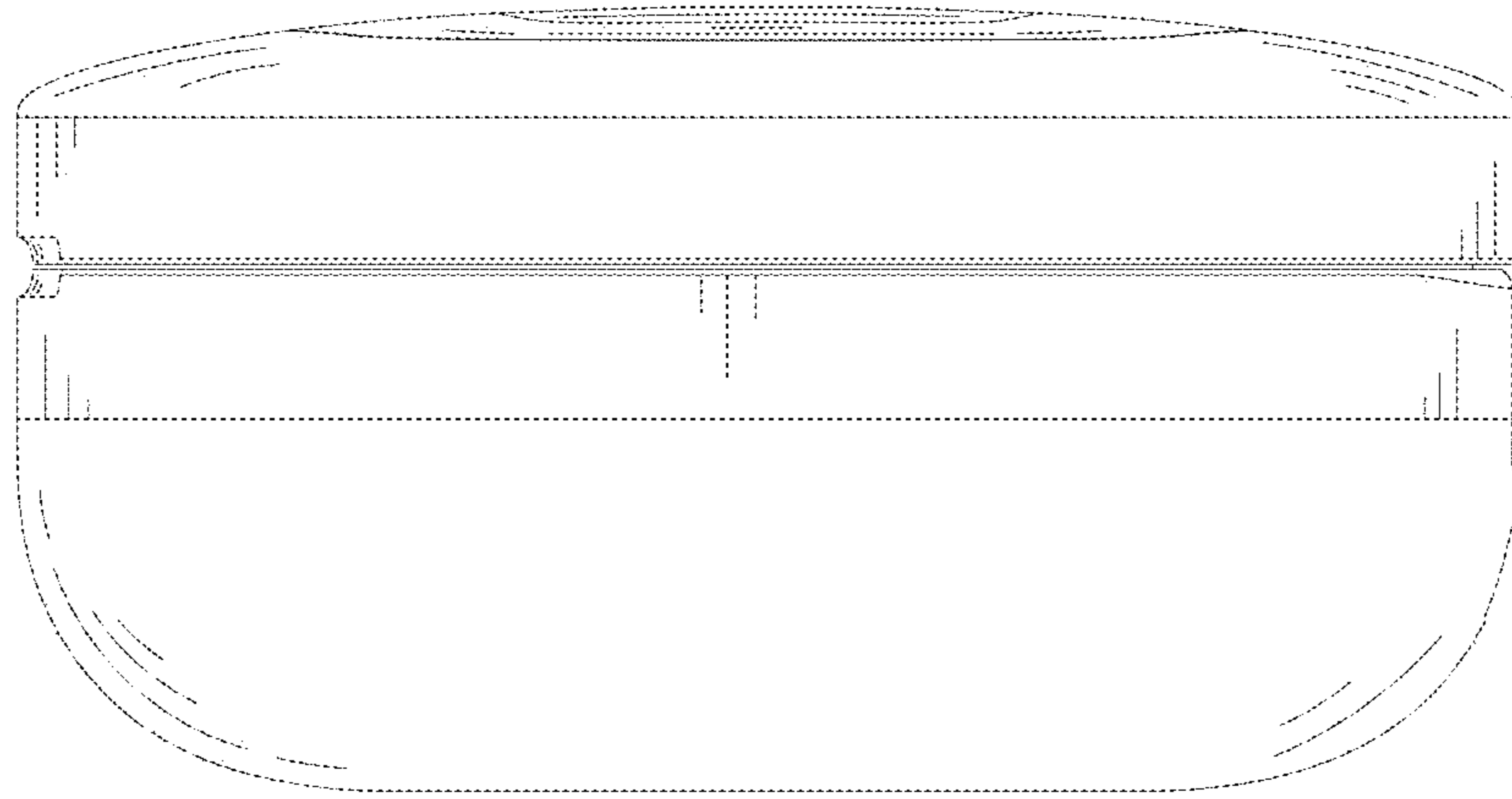


FIG. 6

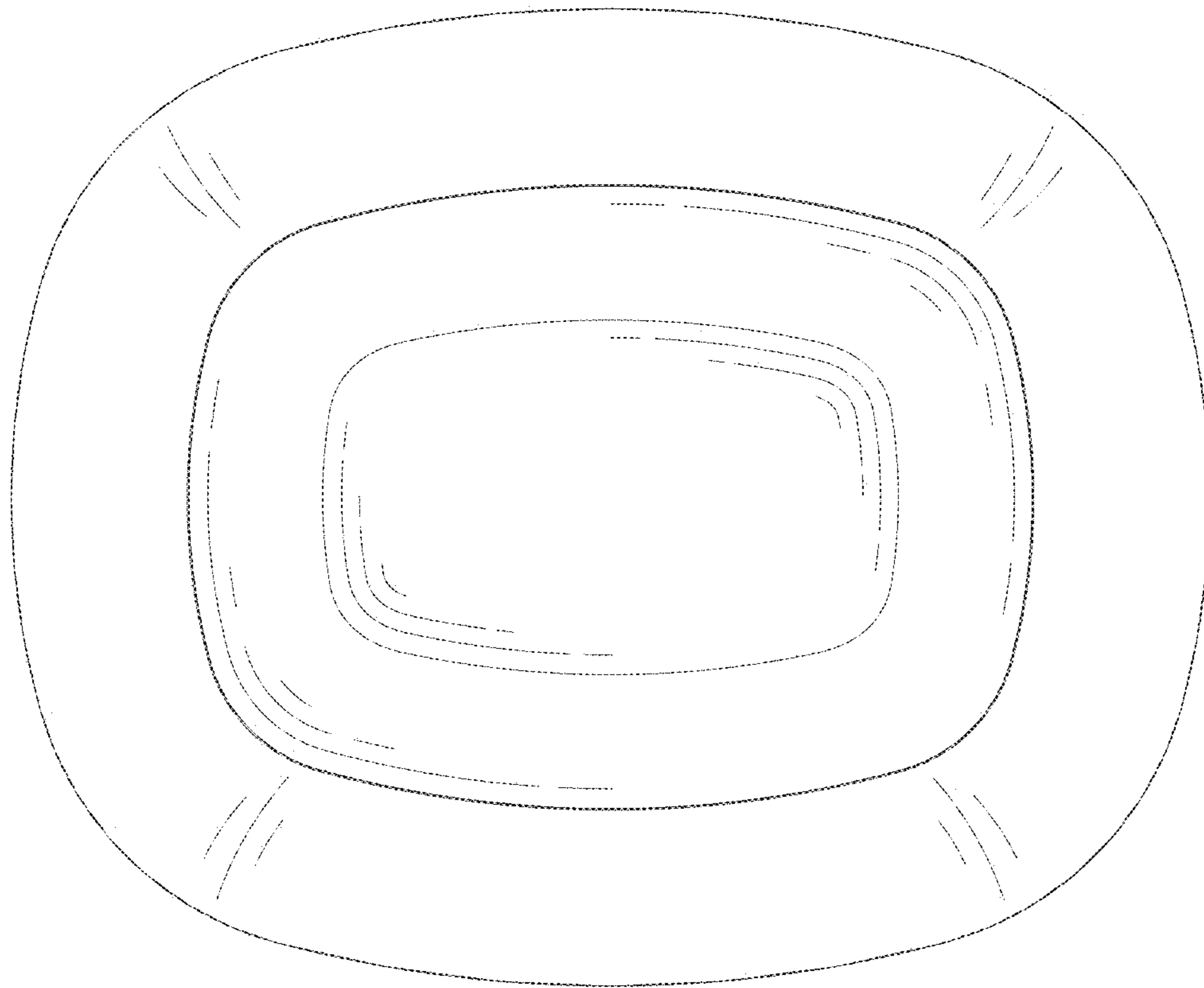


FIG. 7

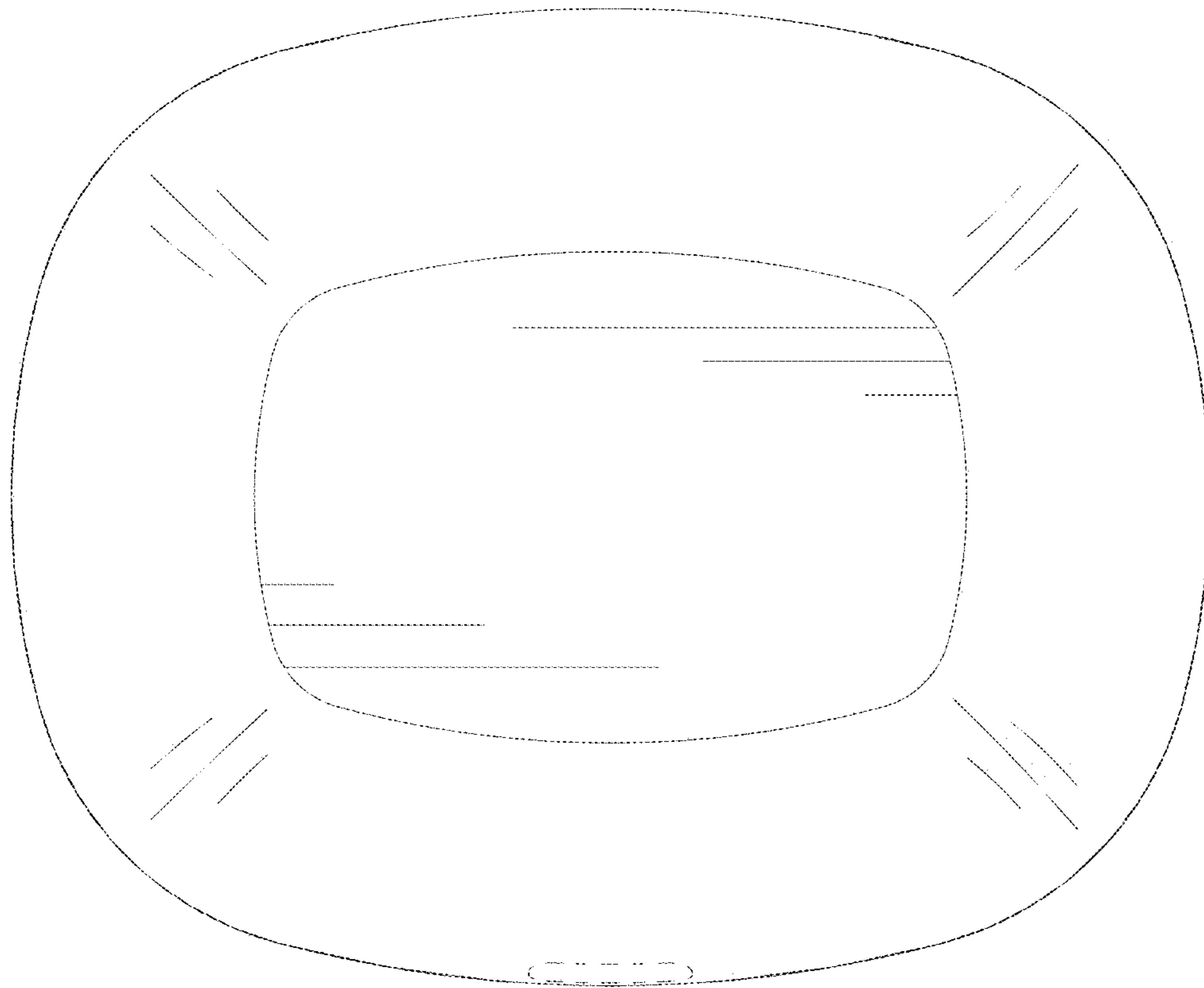


FIG. 8

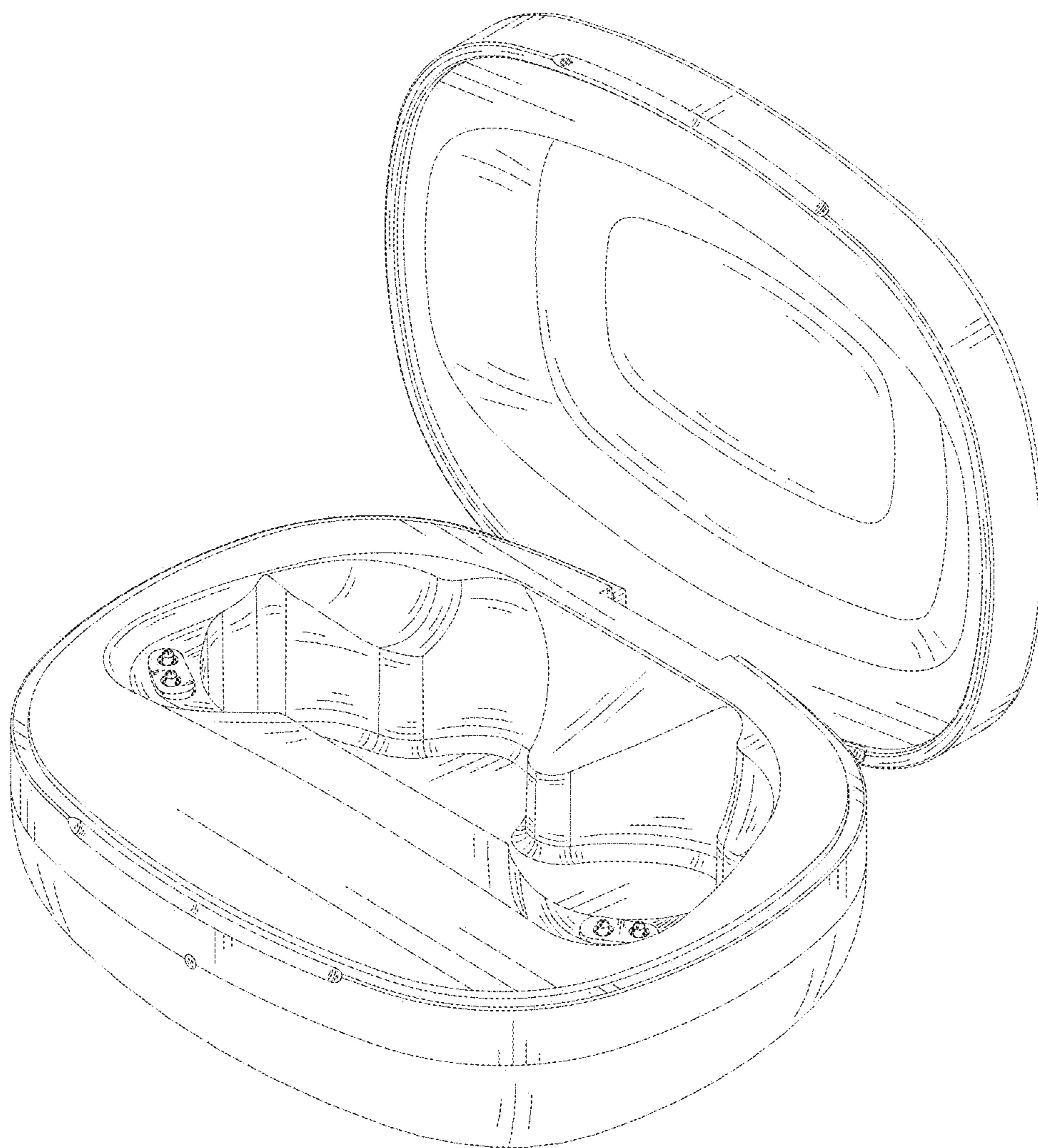


FIG. 9