



US00D945962S

(12) **United States Design Patent**
Byrnes et al.

(10) **Patent No.:** **US D945,962 S**
(45) **Date of Patent:** **** Mar. 15, 2022**

(54) **POWER SUPPLY**

(71) Applicant: **Eikon Device Inc.**, Kingston (CA)

(72) Inventors: **Dean Byrnes**, Kingston (CA); **Michael Mcguire**, Ottawa (CA); **Benjamin Campbell**, Kingston (CA)

(73) Assignee: **EIKON DEVICE INC.**, Kingston (CA)

(**) Term: **15 Years**

(21) Appl. No.: **29/729,578**

(22) Filed: **Mar. 27, 2020**

(30) **Foreign Application Priority Data**

Oct. 4, 2019 (CA) CA 190410

(51) **LOC (13) Cl.** **13-02**

(52) **U.S. Cl.**
USPC **D13/108; D13/103**

(58) **Field of Classification Search**
USPC D13/103, 107, 108, 110, 118, 119, 122,
D13/184, 199

CPC Y02E 60/12; Y02E 60/122; Y02E 60/124;
Y02E 60/50; H02J 7/025; H02J 7/0042;
H02J 7/0044; H02J 7/0045; H02J 7/0003;
H01R 13/6675; H01M 2/1022; H01M
2/1055; H01M 10/44; H01M 10/46;
H01M 10/425; B60L 11/182

See application file for complete search history.

(56) **References Cited**

U.S. PATENT DOCUMENTS

D563,994 S * 3/2008 Liu D14/356
D624,541 S * 9/2010 Kemery D14/358
D674,342 S * 1/2013 Ho D13/110
D720,347 S * 12/2014 Lo D14/348
D726,107 S * 4/2015 Mudge D13/110
D727,360 S * 4/2015 Peng D14/496

D745,426 S * 12/2015 Heath D10/106.1
D753,063 S * 4/2016 Gelonese D13/137.2
D791,123 S * 7/2017 Wieser D14/358
D798,339 S * 9/2017 Yang D14/496
D826,205 S * 8/2018 Langhammer D14/203.6
D826,938 S * 8/2018 Son D14/388
D848,406 S * 5/2019 Pera D14/242
D859,415 S * 9/2019 Liao D14/434
D872,078 S * 1/2020 Wu D14/358
D879,034 S * 3/2020 Wu D13/108
D911,990 S * 3/2021 Wu D13/184
D918,139 S * 5/2021 Helgesen D13/110

(Continued)

OTHER PUBLICATIONS

Painfulpleasures.com: Eikon ES500 Tattoo Power Supply. Review date of Aug. 18, 2020. Retrieved from the internet at <<https://www.painfulpleasures.com/eikon-es500-tattoo-power-supply.html>>, May 22, 2021. 1 page. (Year: 2020).*

Primary Examiner — Christy Nemeth

(74) *Attorney, Agent, or Firm* — Fox Rothschild LLP

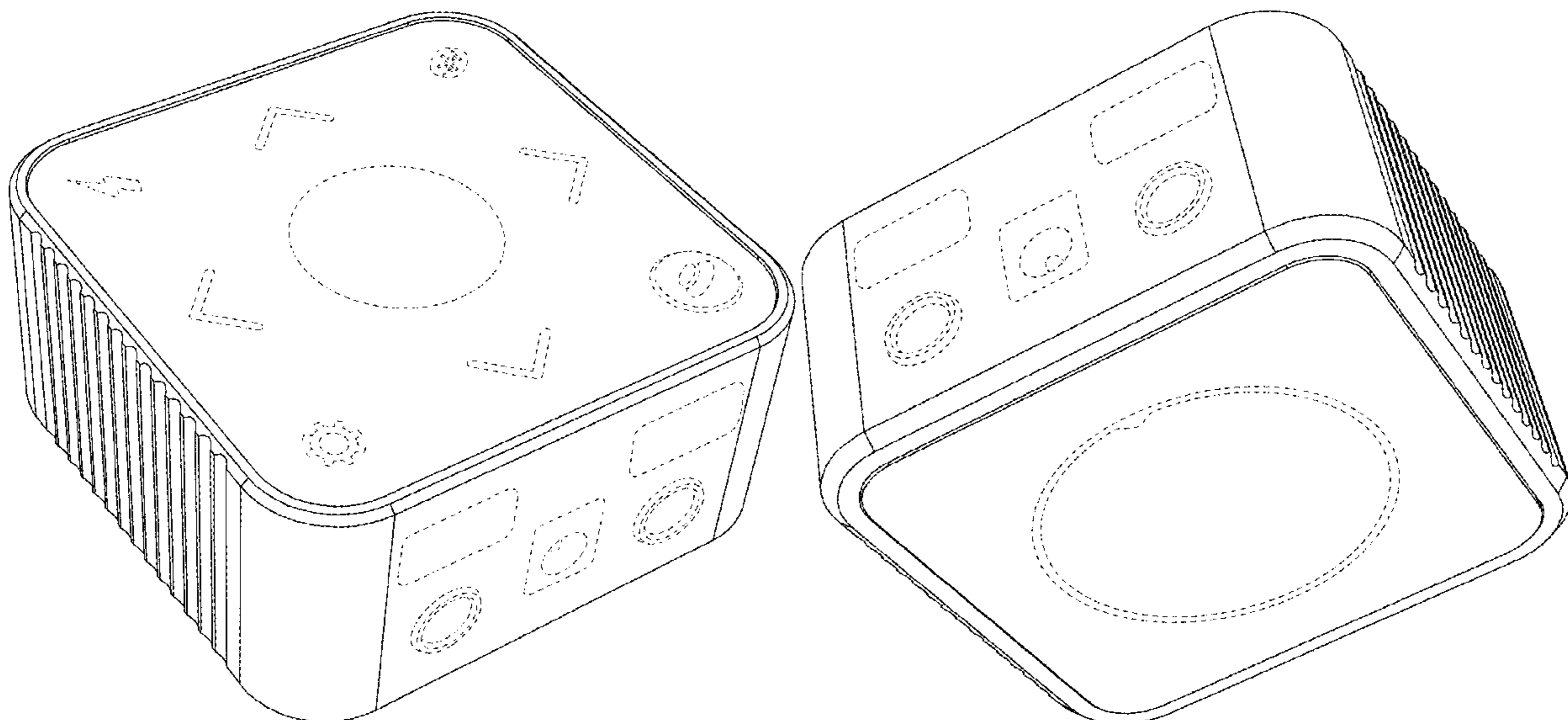
(57) **CLAIM**

The ornamental design for a power supply, as shown and described.

DESCRIPTION

FIG. 1 is a bottom view of a power supply.
FIG. 2 is first side view of a power supply.
FIG. 3 is a second side view of a power supply.
FIG. 4 is a top view of a power supply.
FIG. 5 is a third side view of a power supply.
FIG. 6 is a fourth side view of a power supply.
FIG. 7 is a top perspective view of a power supply.
FIG. 8 is a second top perspective view of a power supply; and,
FIG. 9 is a bottom perspective view of a power supply.
The broken lines and portions within form no part of the claimed design.

1 Claim, 9 Drawing Sheets



(56)

References Cited

U.S. PATENT DOCUMENTS

2014/0335919 A1* 11/2014 Stewart H02J 7/0042
455/573
2018/0205193 A1* 7/2018 Wu H01R 13/6675

* cited by examiner

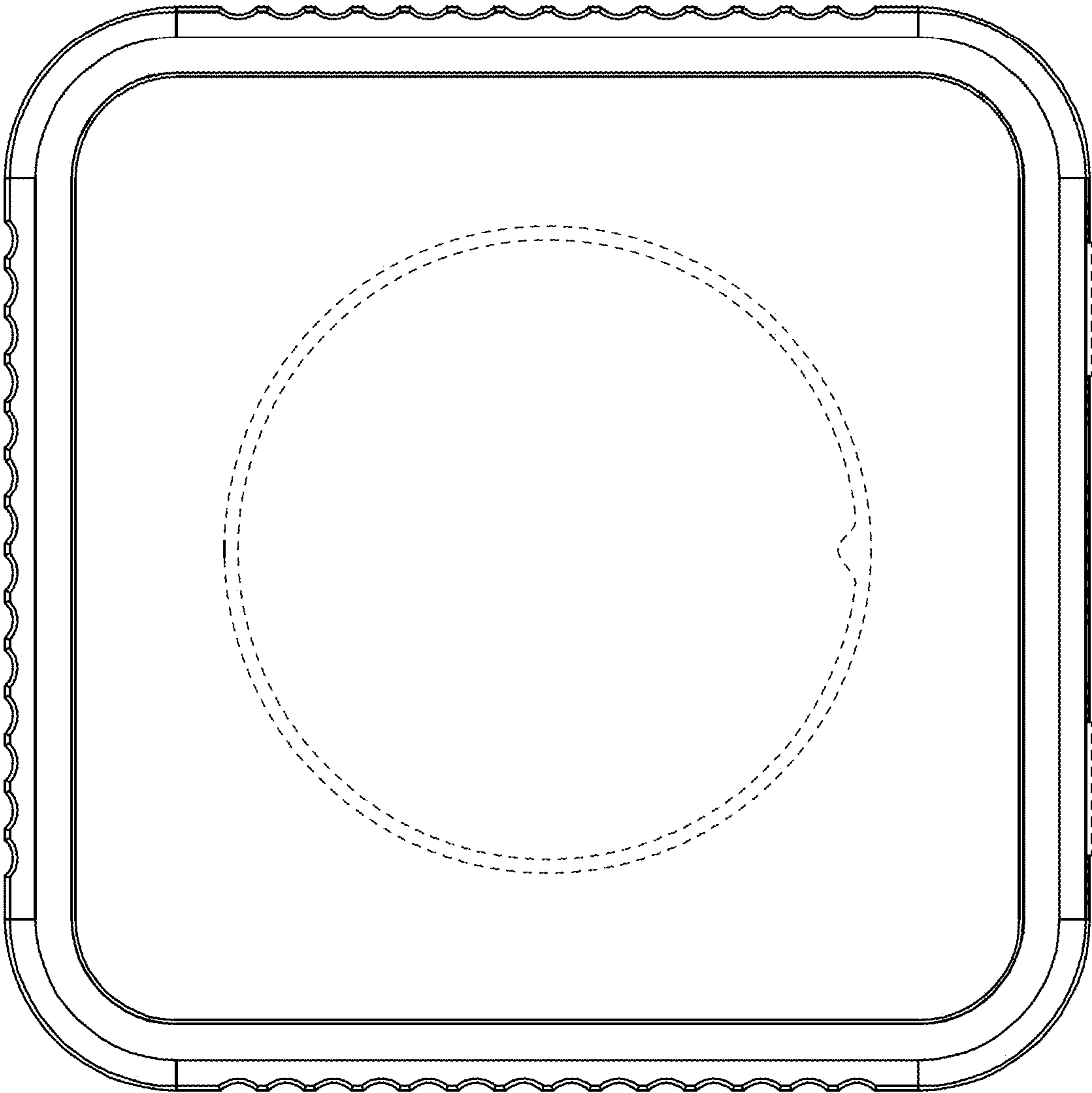


FIG. 1

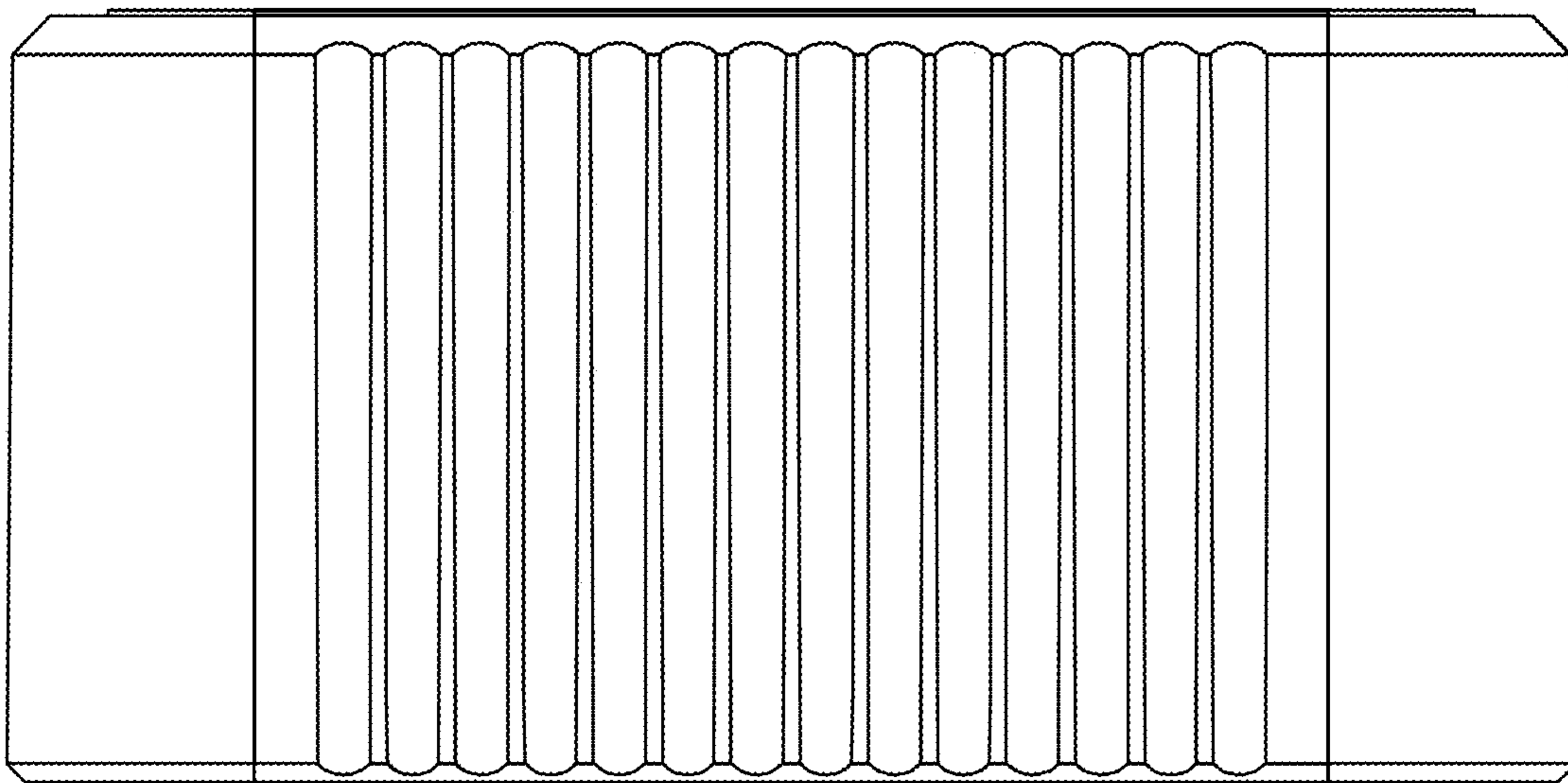


FIG. 2

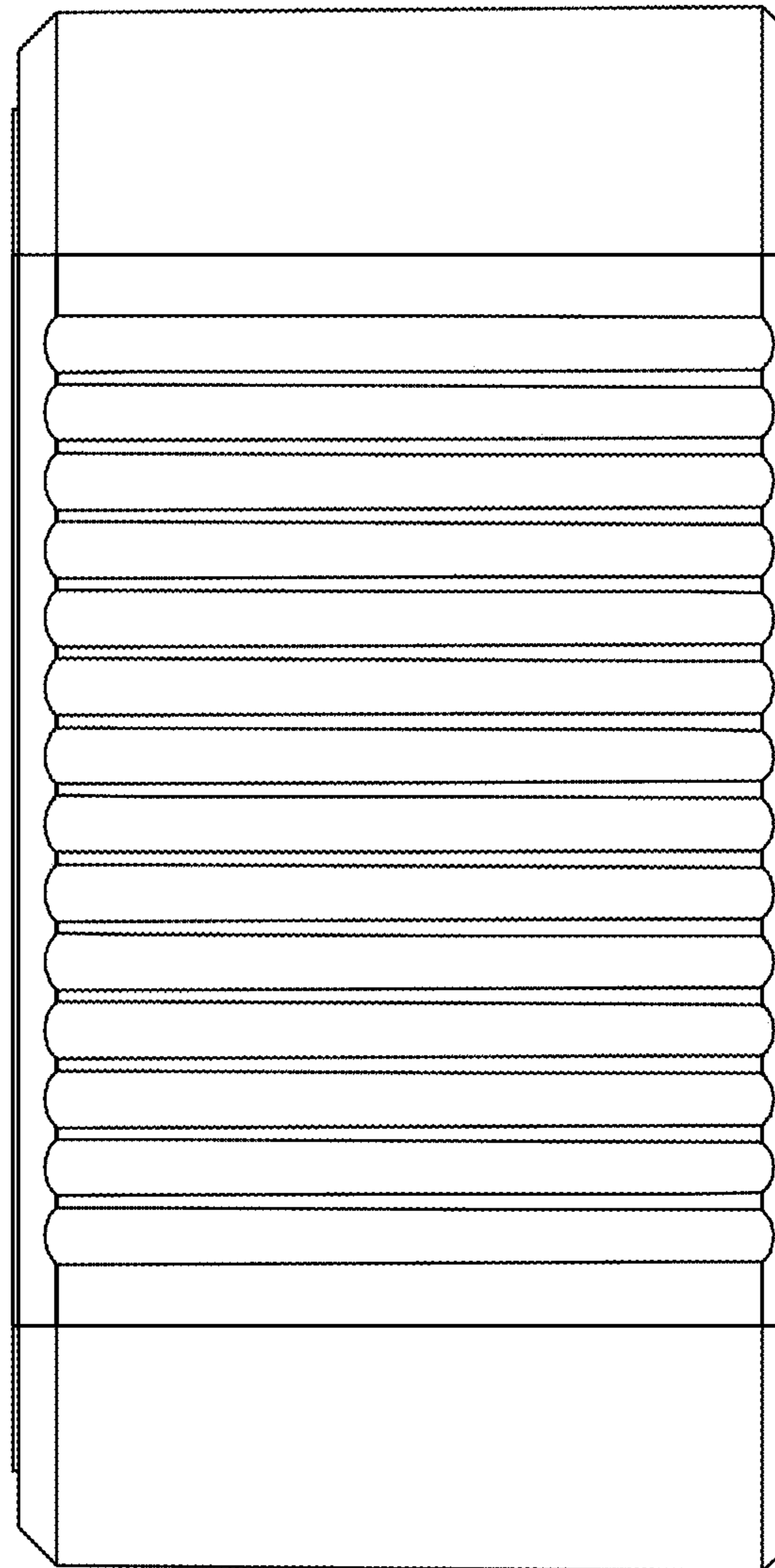


FIG. 3

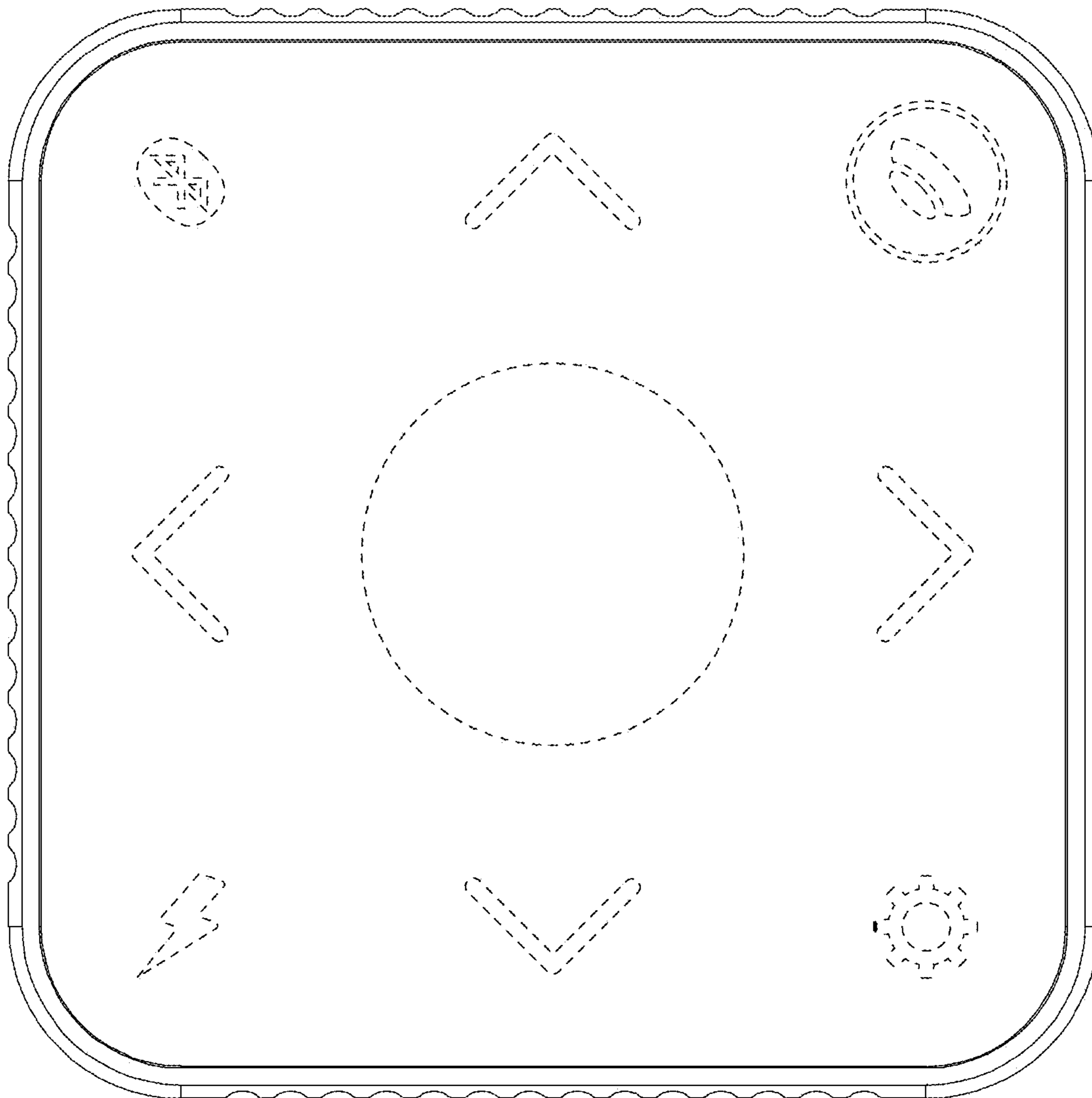


FIG. 4

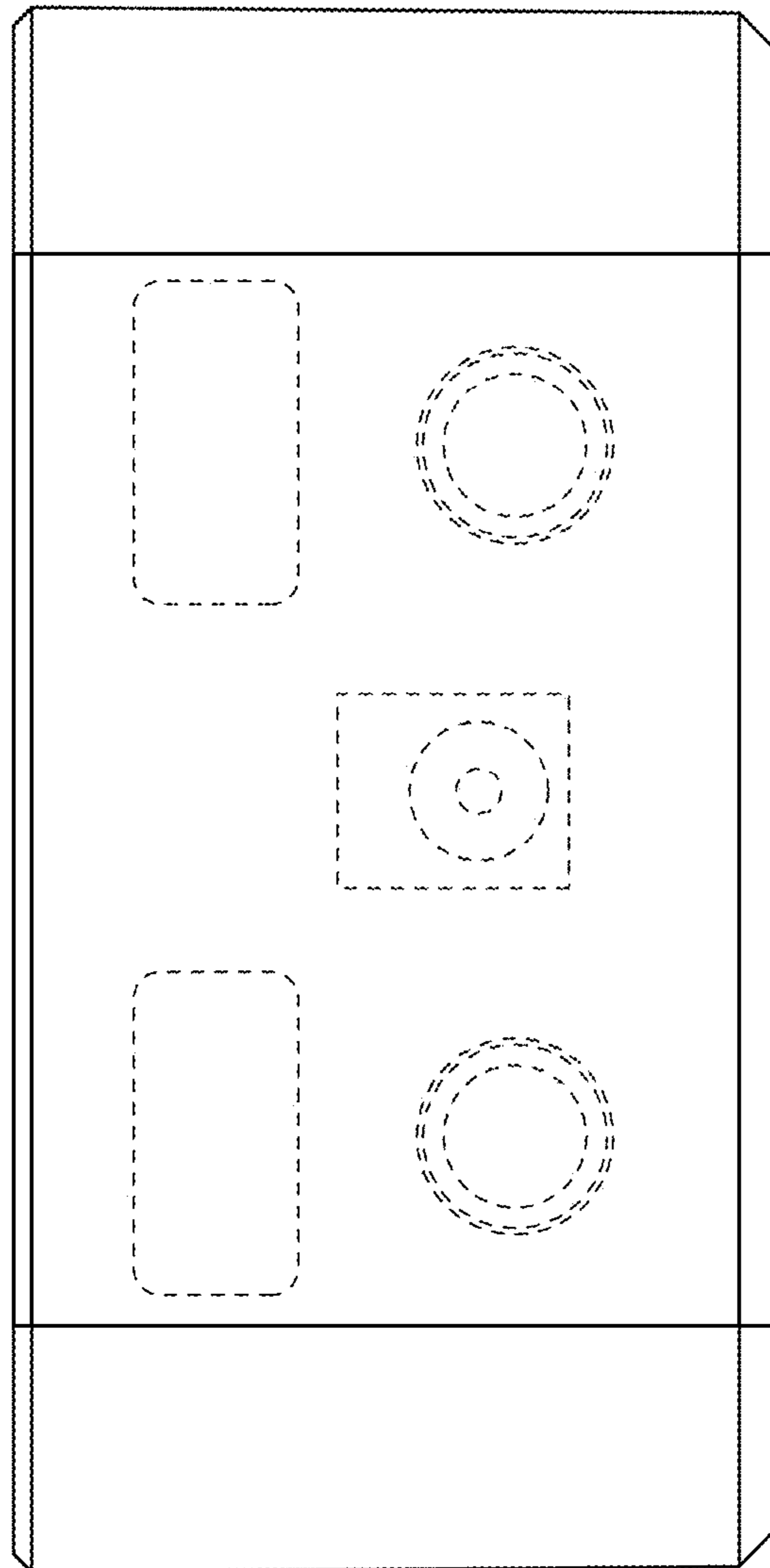


FIG. 5

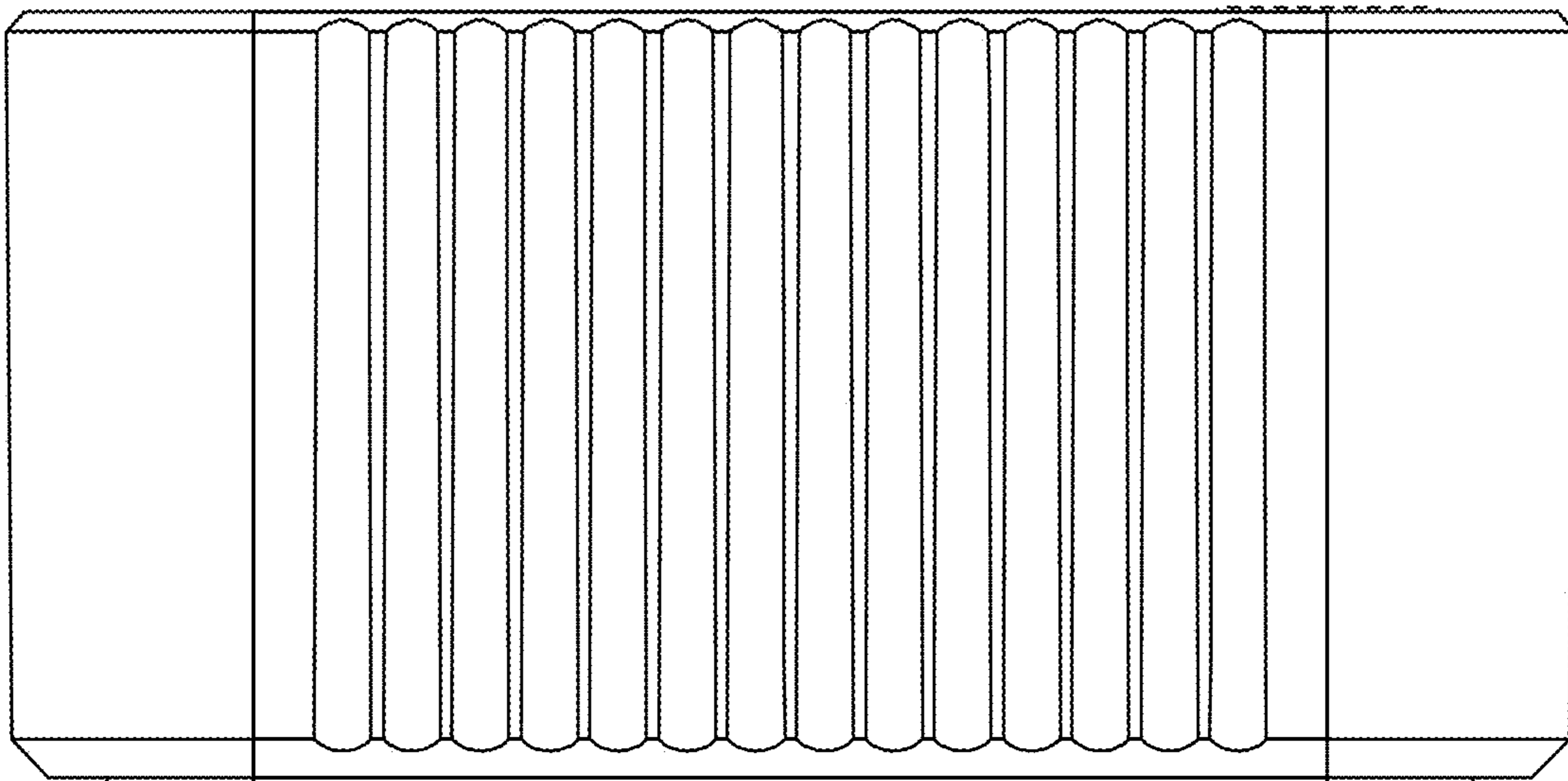


FIG. 6

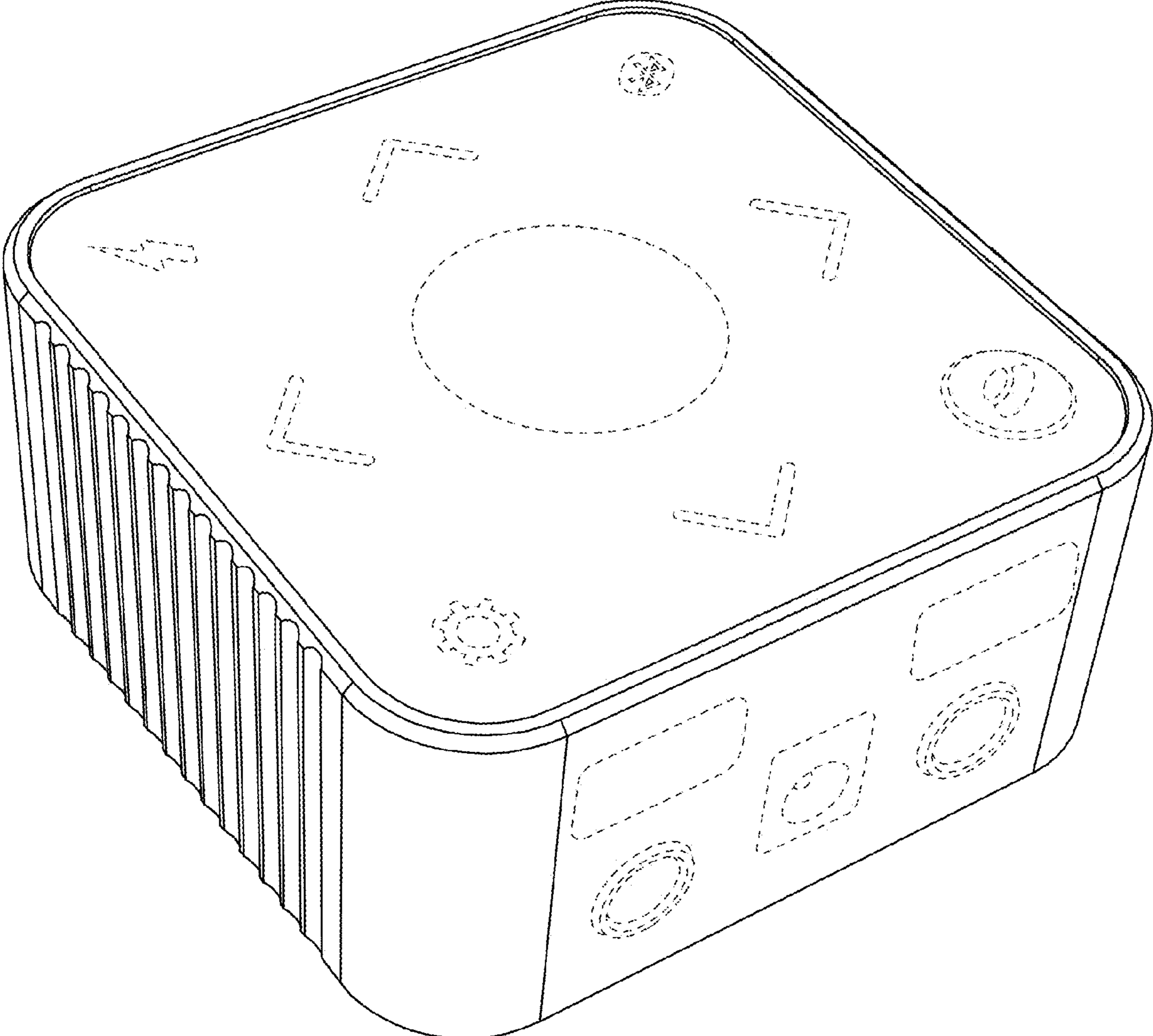


FIG. 7

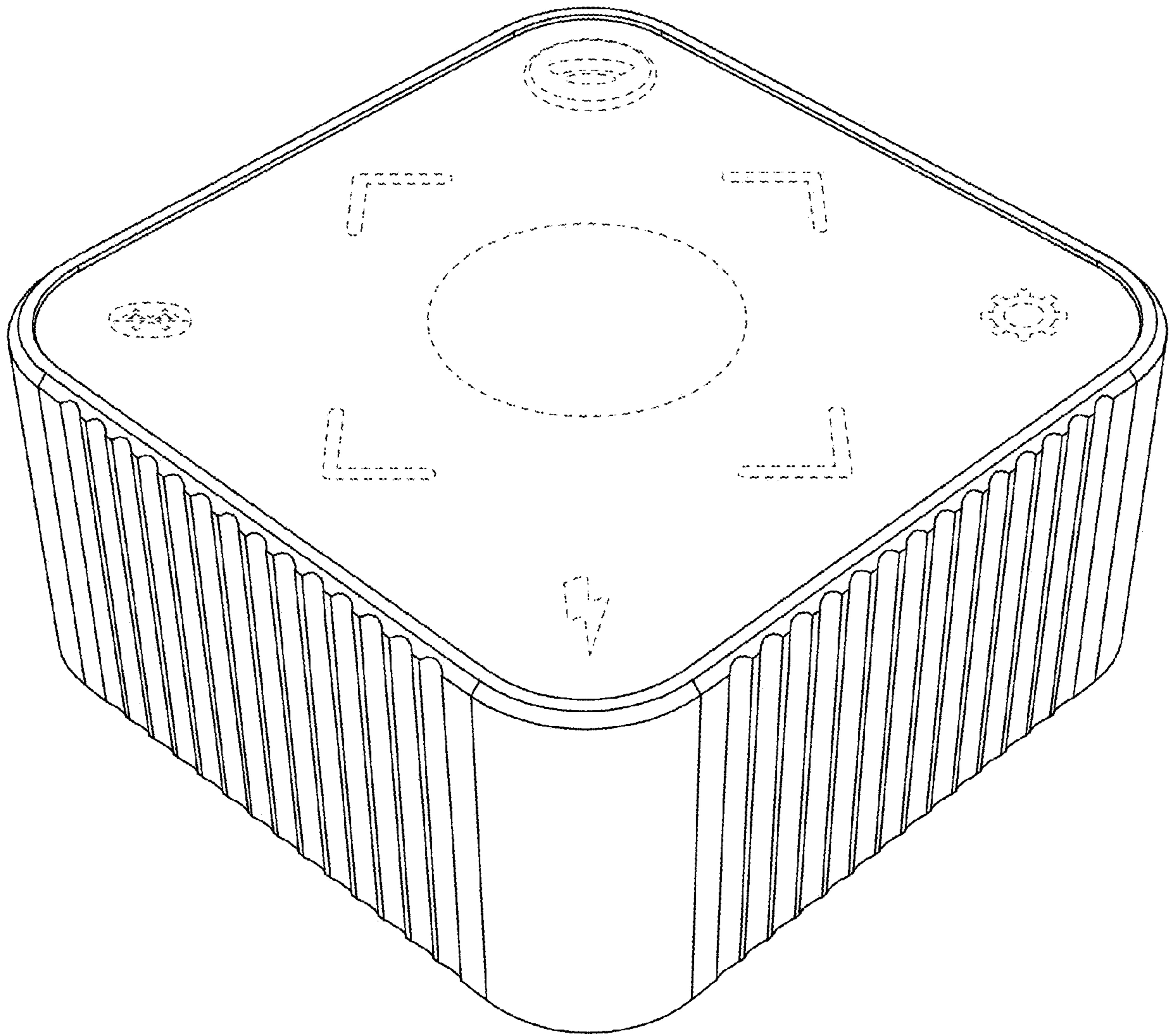


FIG. 8

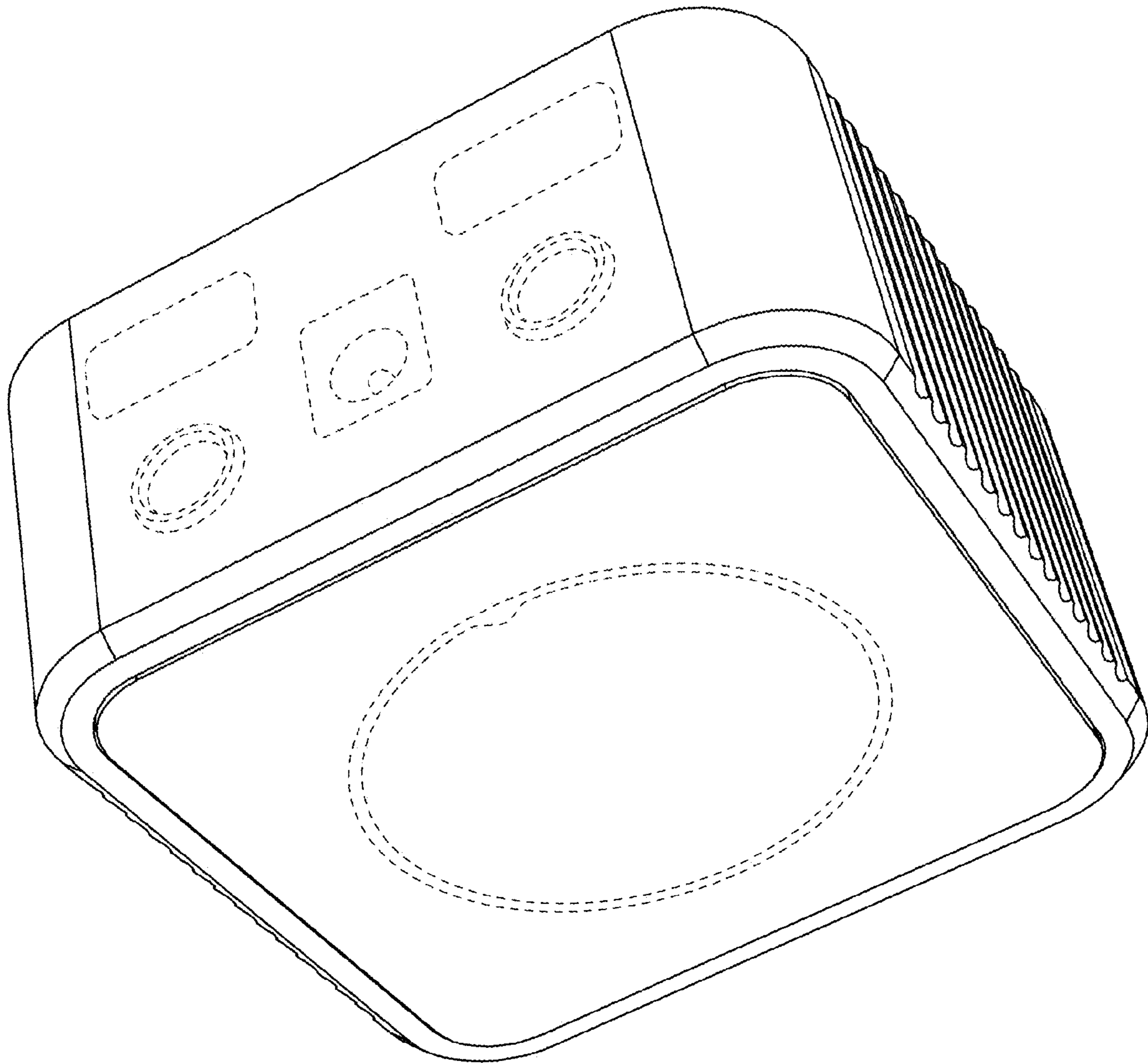


FIG. 9