



US00D945961S

(12) **United States Design Patent** (10) **Patent No.:** **US D945,961 S**
Su (45) **Date of Patent:** **** Mar. 15, 2022**

(54) **WIRELESS CHARGER**
(71) Applicant: **Dongguan Budi Electronic Co., Ltd**,
Dongguan (CN)
(72) Inventor: **Yanhua Su**, Boluo (CN)
(**) Term: **15 Years**
(21) Appl. No.: **29/715,228**
(22) Filed: **Nov. 29, 2019**
(51) **LOC (13) Cl.** **13-02**
(52) **U.S. Cl.**
USPC **D13/108**
(58) **Field of Classification Search**
USPC D13/103, 107, 108, 109, 110, 118, 119,
D13/199; D14/251, 253, 432, 433, 434;
D27/172, 183, 193, 194
CPC H01M 2220/00; H02J 50/00; H02J 15/00
See application file for complete search history.

(56) **References Cited**

U.S. PATENT DOCUMENTS

D594,849	S	*	6/2009	Ko	D14/217
D680,068	S	*	4/2013	Lee	D13/108
D693,296	S	*	11/2013	Lin	D13/108
9,153,985	B1	*	10/2015	Gjovik	H02J 7/342
D787,441	S	*	5/2017	Lee	D13/108
D799,821	S	*	10/2017	Hahn	D3/249
D875,677	S	*	2/2020	Shi	D13/108
D881,121	S	*	4/2020	Roberts	D13/108
D883,924	S	*	5/2020	Chen	D13/108
D897,953	S	*	10/2020	Chen	D13/108
D917,391	S	*	4/2021	Su	D13/108
2020/0014160	A1	*	1/2020	Assis	H01R 13/501
2020/0374380	A1	*	11/2020	Wang	H04M 1/04

OTHER PUBLICATIONS

“Budi Wireless Charger”. Found online Jun. 2, 2021 at linkedin.com. Reference dated Oct. 4, 2019. Retrieved from <https://www.linkedin.com/pulse/budi-multi-functional-boxmulti-cable-6-types-cablewireless-ma>. (Year: 2019).*

“Shni Multi-Function Wireless Charger”. Found online Jun. 17, 2021 at amazon.com. Reference dated Sep. 30, 2019. Retrieved from <https://www.amazon.com/Survival-Multi-Type-Charging-Convertor-Multi-Function/dp/B07YKNJ3DX?th=1>. (Year: 2019).*
“Zoeview Wireless Charger”. Found online Jun. 3, 2021 at amazon.com. Reference dated Jul. 15, 2018. Retrieved from <https://www.amazon.com/Wireless-ZOEVIEW-Ultra-thin-Foldable-Qi-Enabled/dp/B07CTC4NR6?th=1>. (Year: 2018).*

* cited by examiner

Primary Examiner — Kendra Leslie Hamilton
Assistant Examiner — Amanda Christensen

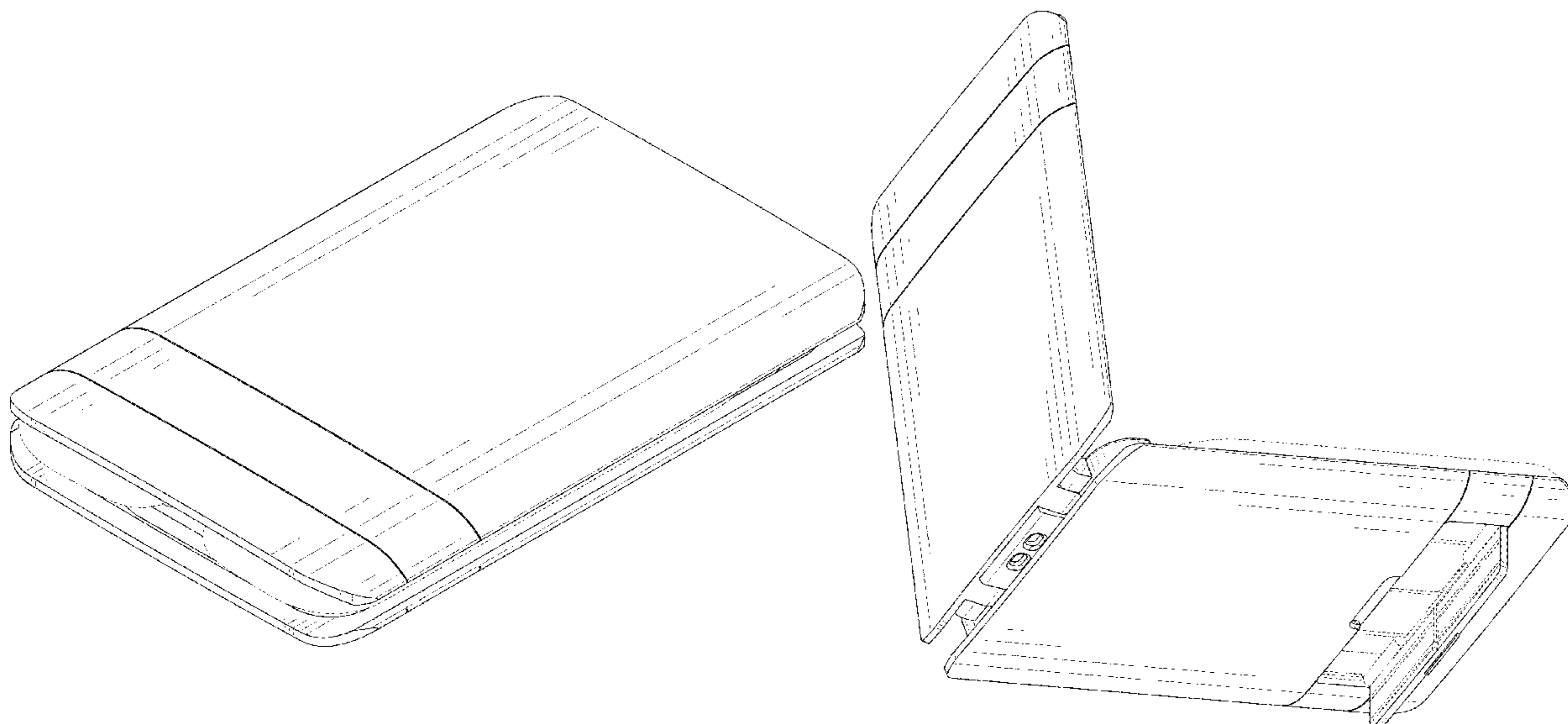
(57) **CLAIM**

The ornamental design for a wireless charger, as shown and described.

DESCRIPTION

FIG. 1 is a top, front, right side perspective view of a wireless charger showing my new design;
FIG. 2 is a bottom, back, right side perspective view thereof;
FIG. 3 is a front view thereof;
FIG. 4 is a back view thereof;
FIG. 5 is a left side view thereof;
FIG. 6 is a right side view thereof;
FIG. 7 is a top view thereof;
FIG. 8 is a bottom view thereof;
FIG. 9 is a top, front, right side perspective view of the wireless charger of FIG. 1, shown in a condition for use; and,
FIG. 10 is a bottom, back, left side perspective view thereof.
The broken lines shown in the drawings depict portions of the wireless charger that form no part of the claimed design.

1 Claim, 10 Drawing Sheets



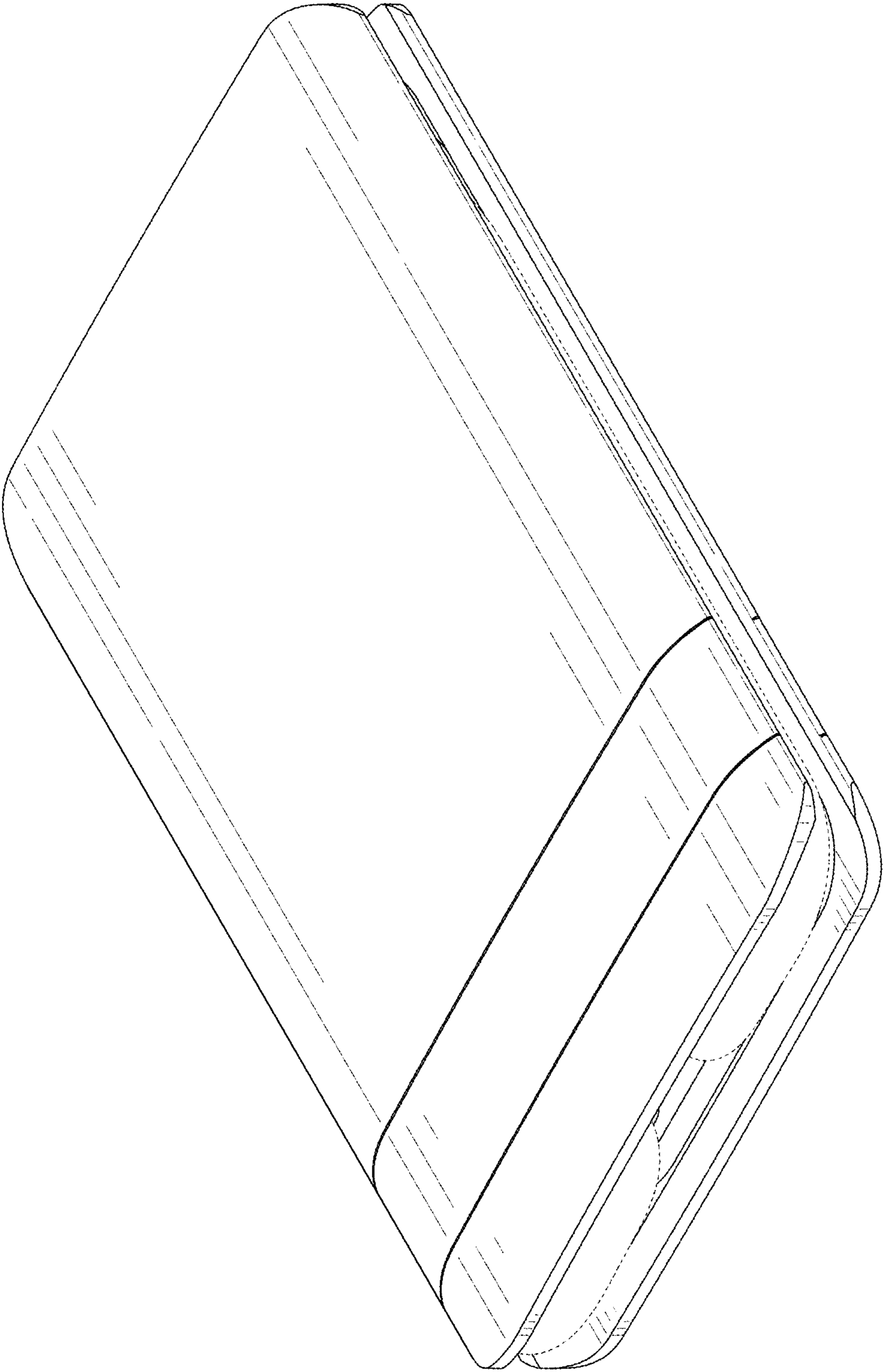


FIG. 1

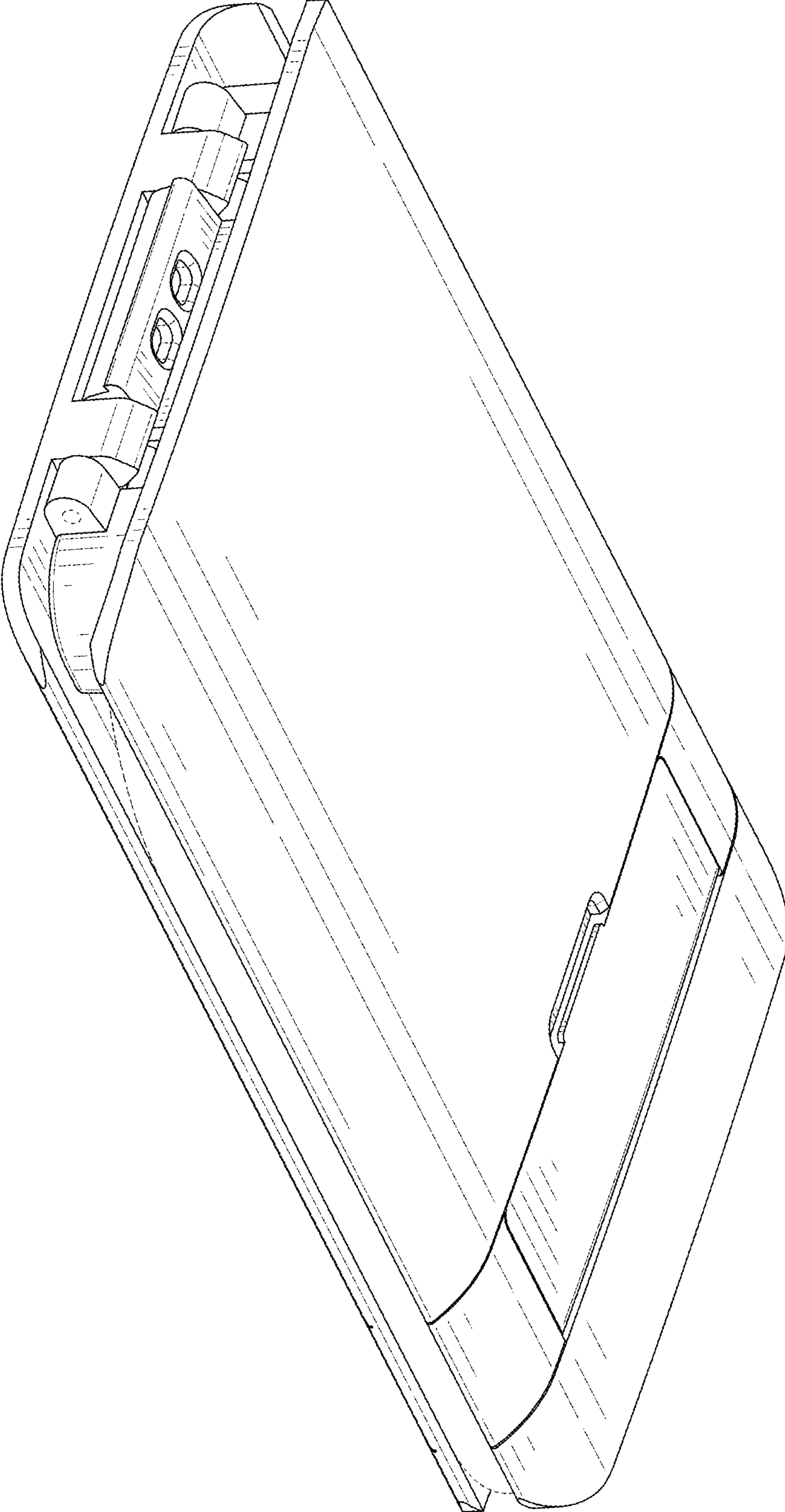


FIG. 2

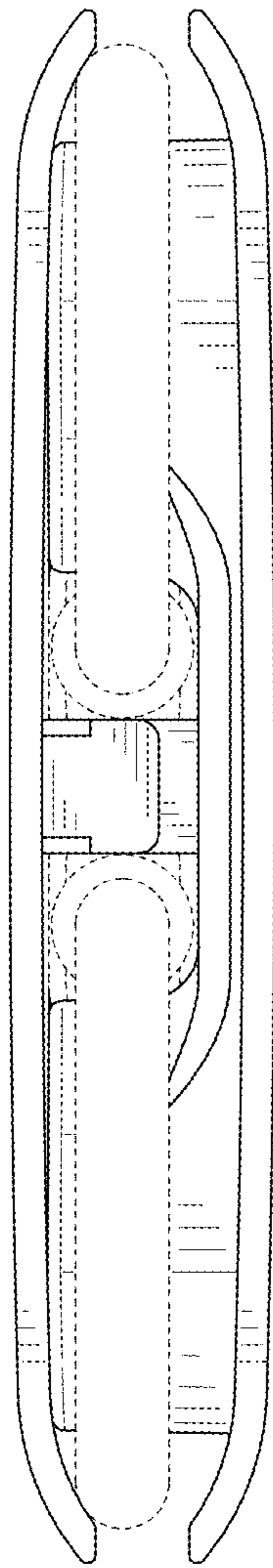


FIG. 3

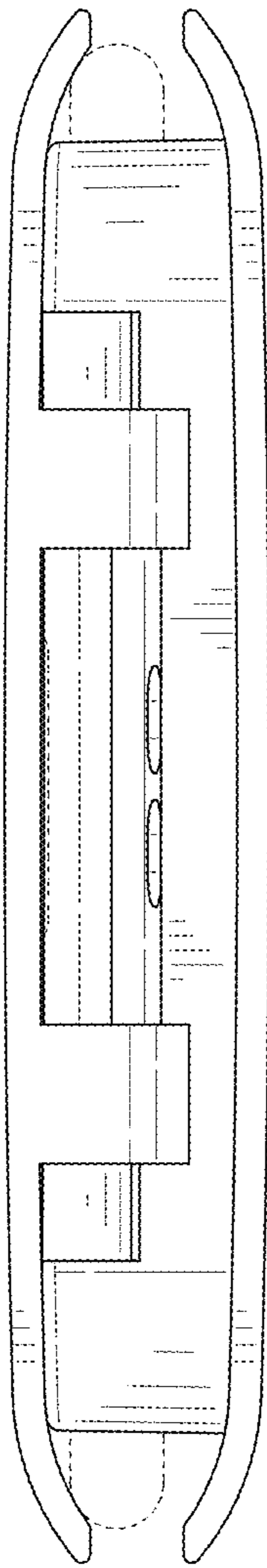


FIG. 4

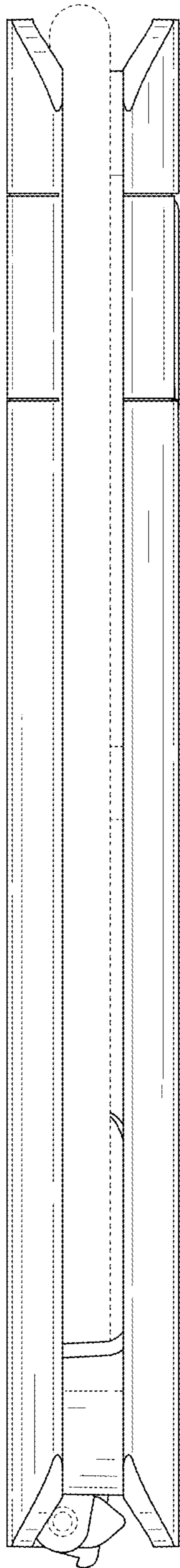


FIG. 5

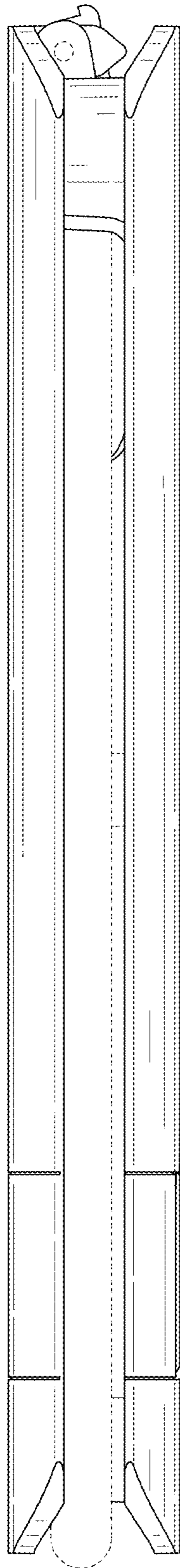


FIG. 6

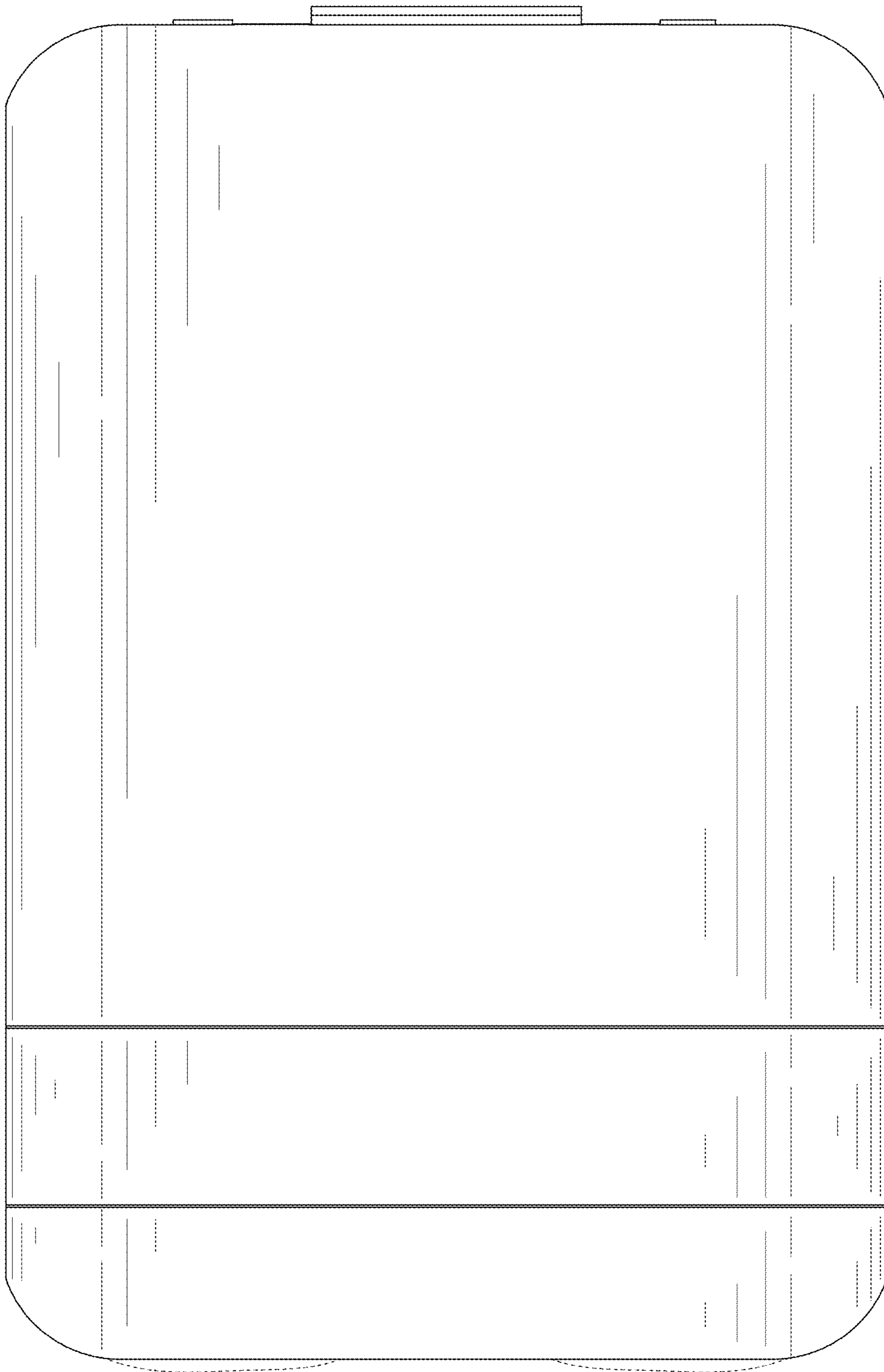


FIG. 7

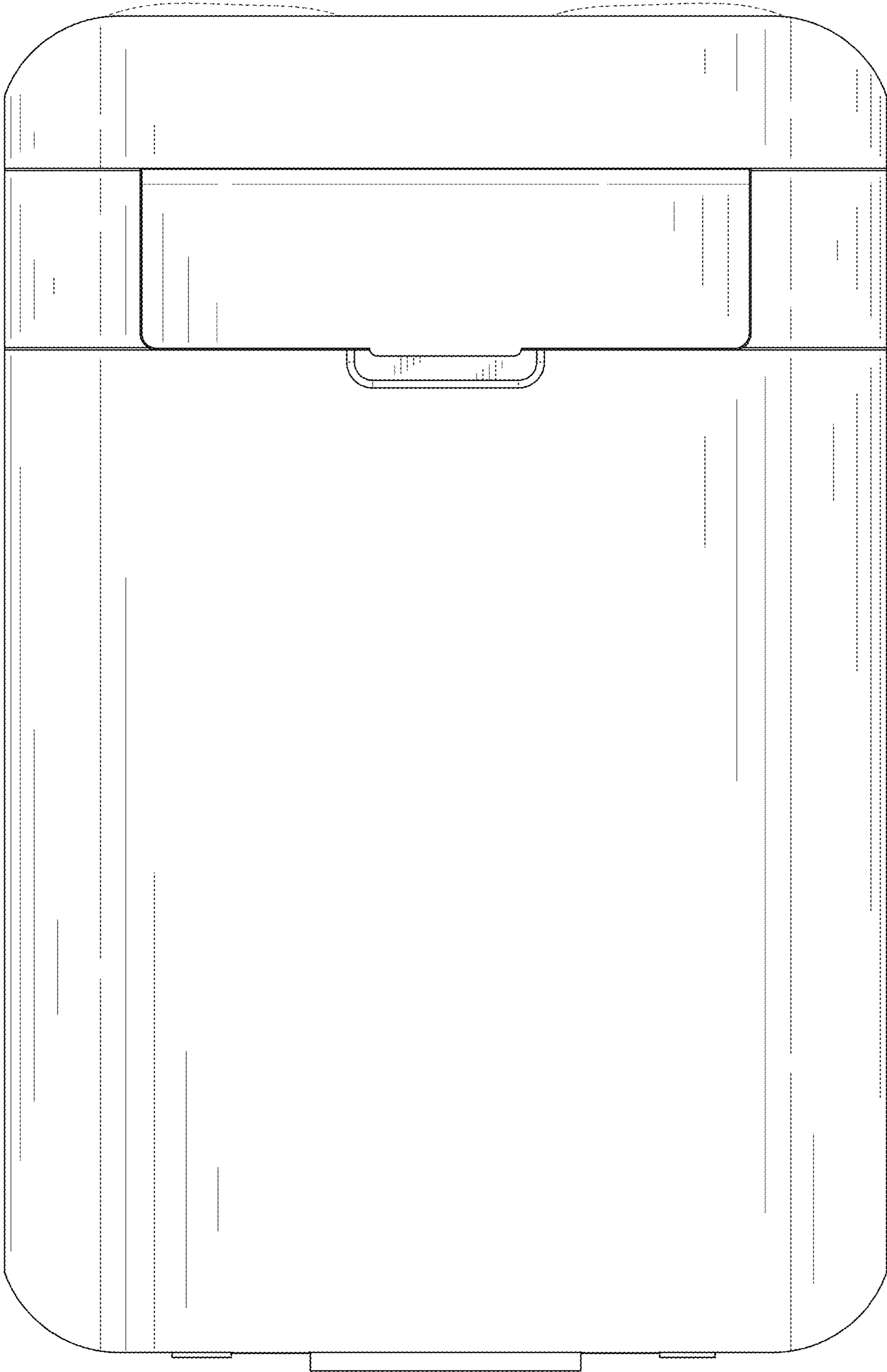


FIG. 8

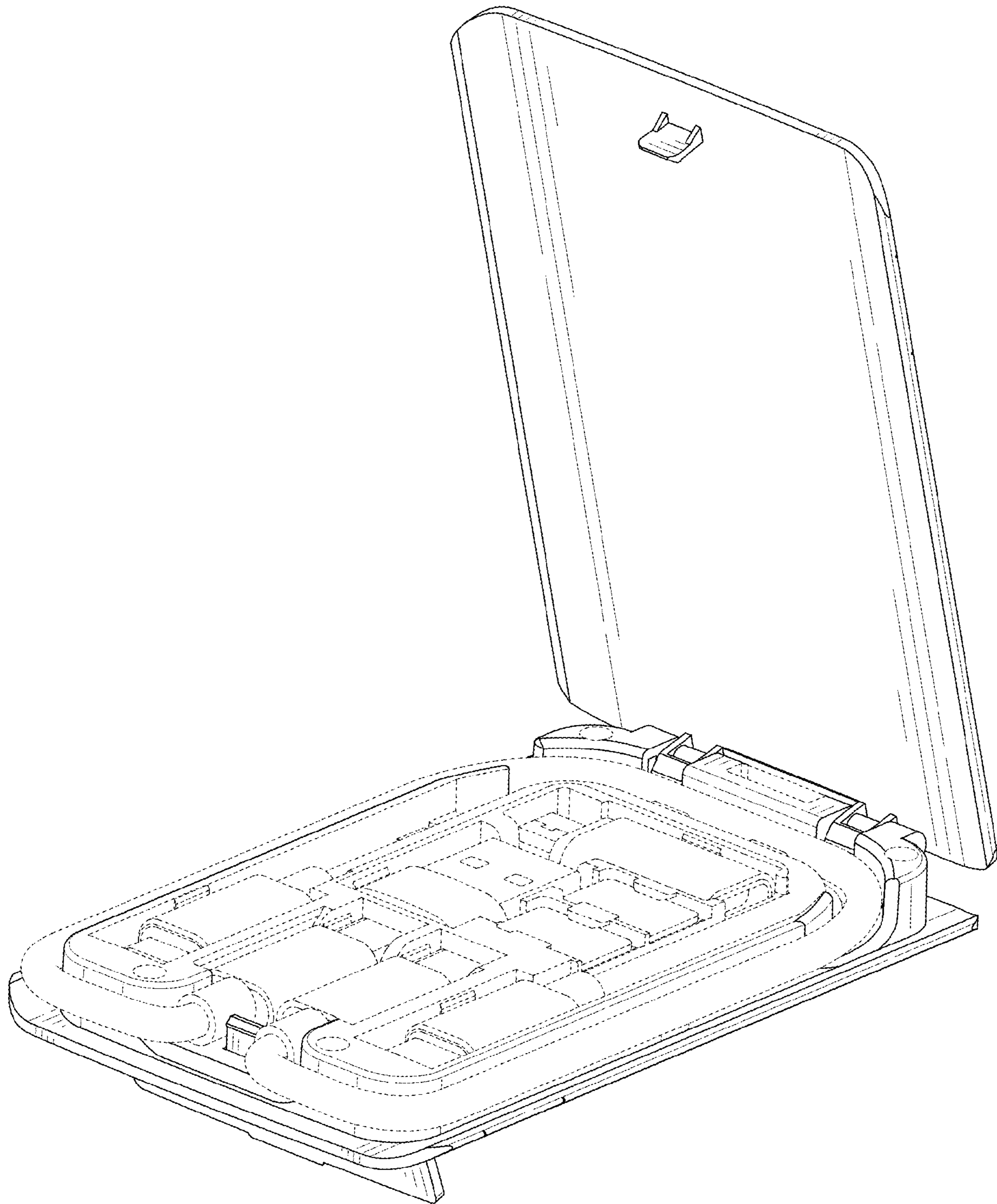


FIG. 9

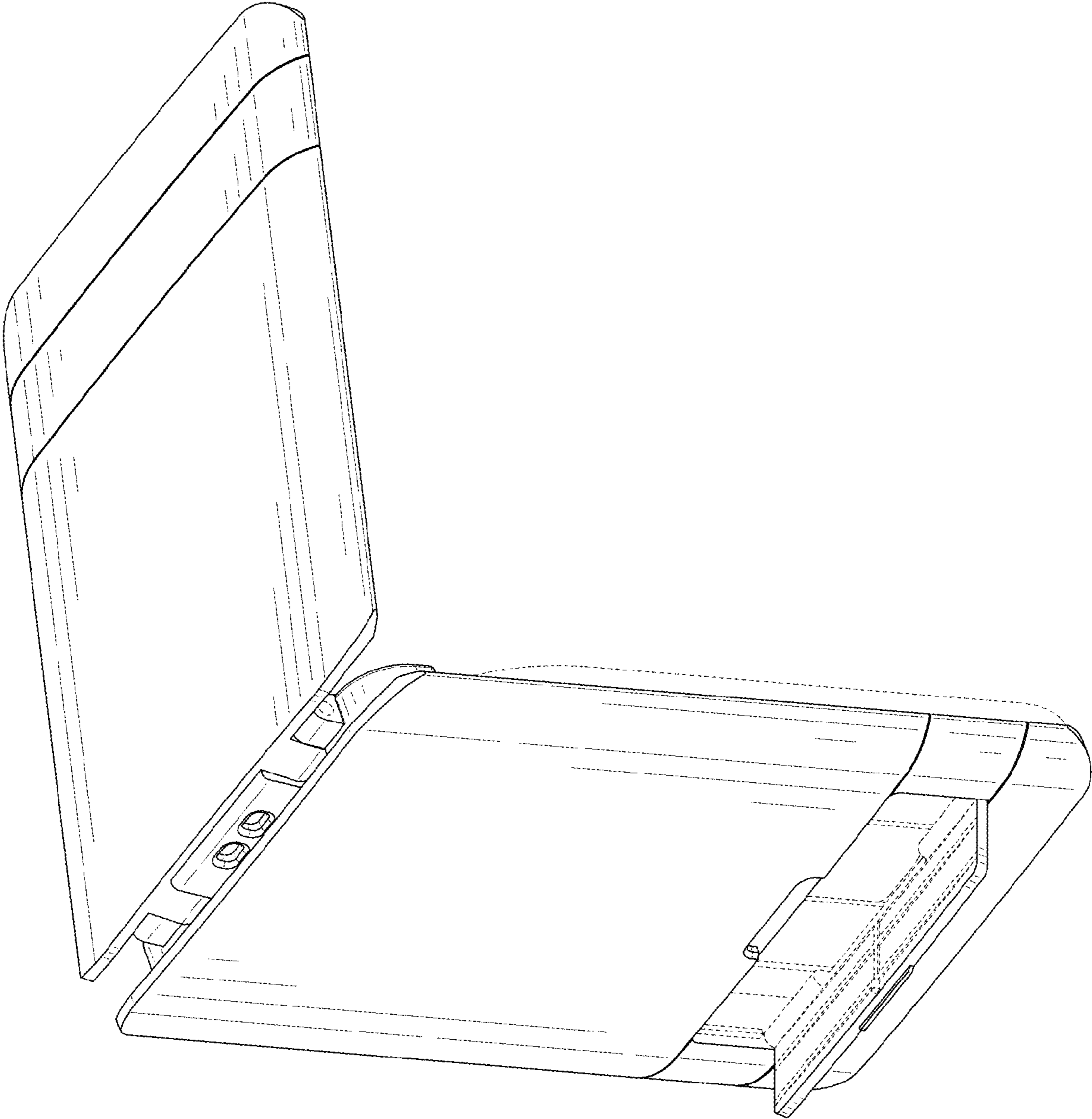


FIG. 10