



US00D945960S

(12) **United States Design Patent**  
**Fountain et al.**

(10) **Patent No.:** **US D945,960 S**  
(45) **Date of Patent:** **\*\* Mar. 15, 2022**

(54) **BATTERY**

(71) Applicant: **SYMBOL TECHNOLOGIES, LLC**,  
Holtsville, NY (US)

(72) Inventors: **Mark Thomas Fountain**, London  
(GB); **JaeHo Choi**, Whitestone, NY  
(US); **Edward Anthony Hackett**,  
Surbiton (GB)

(73) Assignee: **Symbol Technologies, LLC**, Holtsville,  
NY (US)

(\*\*) Term: **15 Years**

(21) Appl. No.: **29/744,690**

(22) Filed: **Jul. 30, 2020**

**Related U.S. Application Data**

(63) Continuation of application No. 29/590,892, filed on  
Jan. 13, 2017, now Pat. No. Des. 894,826.

(51) **LOC (13) Cl.** ..... **13-02**

(52) **U.S. Cl.**  
USPC ..... **D13/103**

(58) **Field of Classification Search**  
USPC ..... D13/103, 107, 108, 110, 118, 119, 122,  
D13/184, 199  
CPC ..... Y02E 60/12; Y02E 60/122; Y02E 60/124;  
Y02E 60/50; H02J 7/025; H02J 7/0042;  
H02J 7/0044; H02J 7/0045; H02J 7/0003;  
H01R 13/6675; H01M 2/1022; H01M  
2/1055; H01M 10/44; H01M 10/46;  
H01M 10/425; B60L 11/182  
See application file for complete search history.

(56) **References Cited**

**U.S. PATENT DOCUMENTS**

D571,720 S 6/2008 Yang  
D571,721 S 6/2008 Yang

D610,984 S 3/2010 Khan et al.  
D616,360 S \* 5/2010 Huang ..... D13/103  
D621,345 S 8/2010 Tinius  
D676,432 S 2/2013 Hasbrook et al.  
D677,219 S 3/2013 Nokuo  
D707,625 S 6/2014 Ibuki et al.  
D718,230 S 11/2014 To et al.  
D786,320 S 5/2017 Harvey et al.  
D836,638 S 12/2018 Fountain et al.  
D851,653 S \* 6/2019 Huang ..... D14/453  
D862,391 S 10/2019 Sutter et al.  
D877,066 S \* 3/2020 Zhang ..... D13/108  
D894,826 S \* 9/2020 Fountain ..... D13/103  
D895,544 S \* 9/2020 Zhao ..... D13/108  
D896,177 S \* 9/2020 Zheng ..... D13/108  
D911,951 S \* 3/2021 Yang ..... D13/108  
2010/0279163 A1 \* 11/2010 Lao ..... H01M 50/20  
429/97

\* cited by examiner

*Primary Examiner* — Christy Nemeth

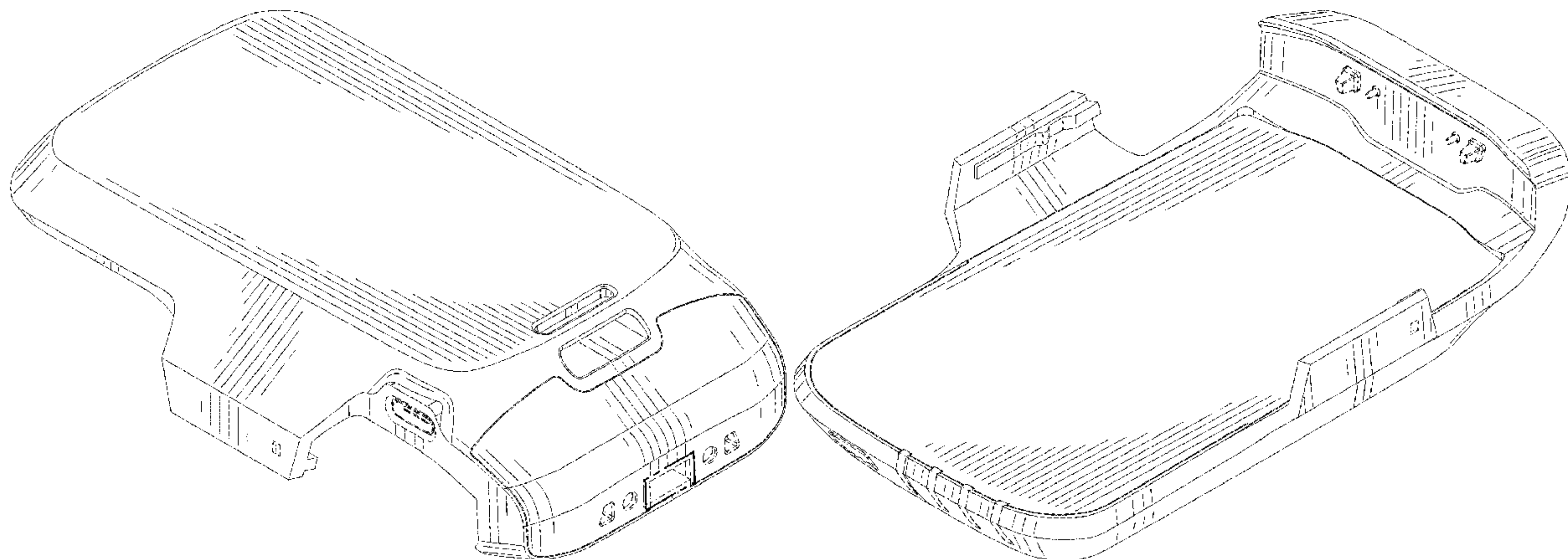
(57) **CLAIM**

We claim the ornamental design for a battery, as shown and  
described.

**DESCRIPTION**

FIG. 1 is a first perspective view of a battery;  
FIG. 2 is a second perspective view thereof;  
FIG. 3 is a front view thereof;  
FIG. 4 is a back view thereof;  
FIG. 5 is a first side view thereof;  
FIG. 6 is a second side view thereof;  
FIG. 7 is a top view thereof; and,  
FIG. 8 is a bottom view thereof.  
The dot-dash broken lines illustrate the bounds of the claim  
and form no part of the claim. The dash-dash broken lines  
and unshaded portions within illustrate portions of the  
battery that form no part of the claim.

**1 Claim, 6 Drawing Sheets**



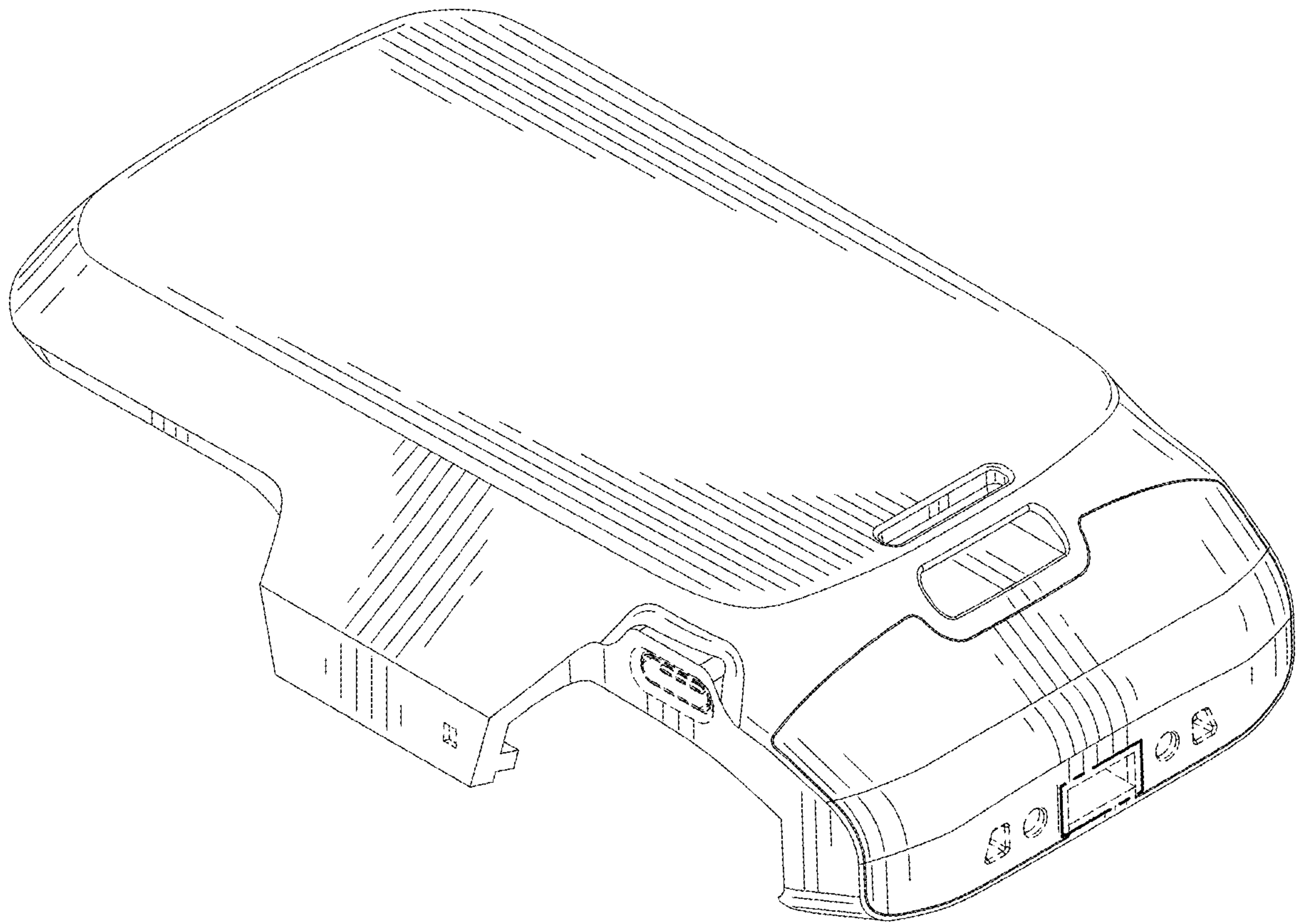


FIG. 1

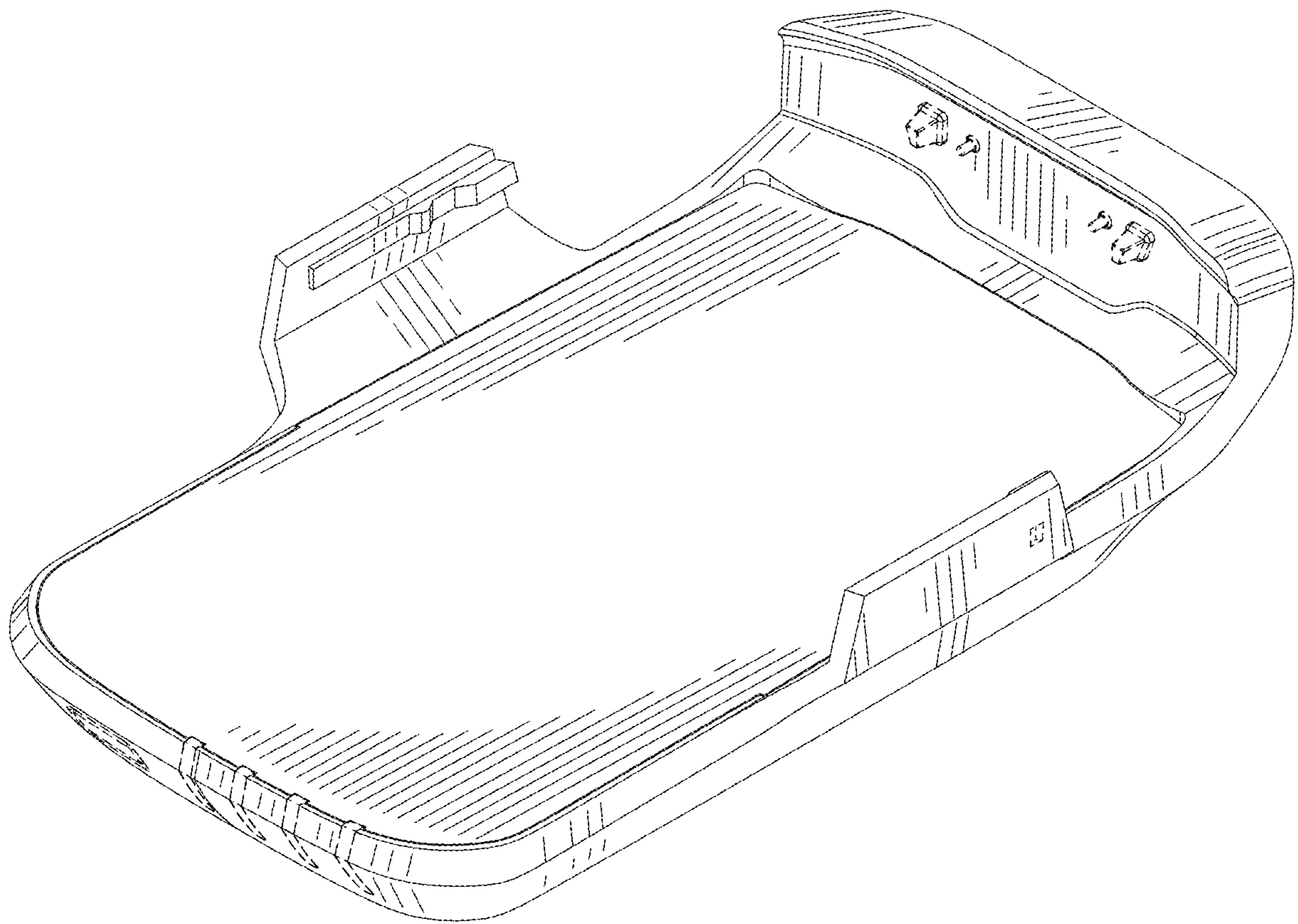


FIG. 2

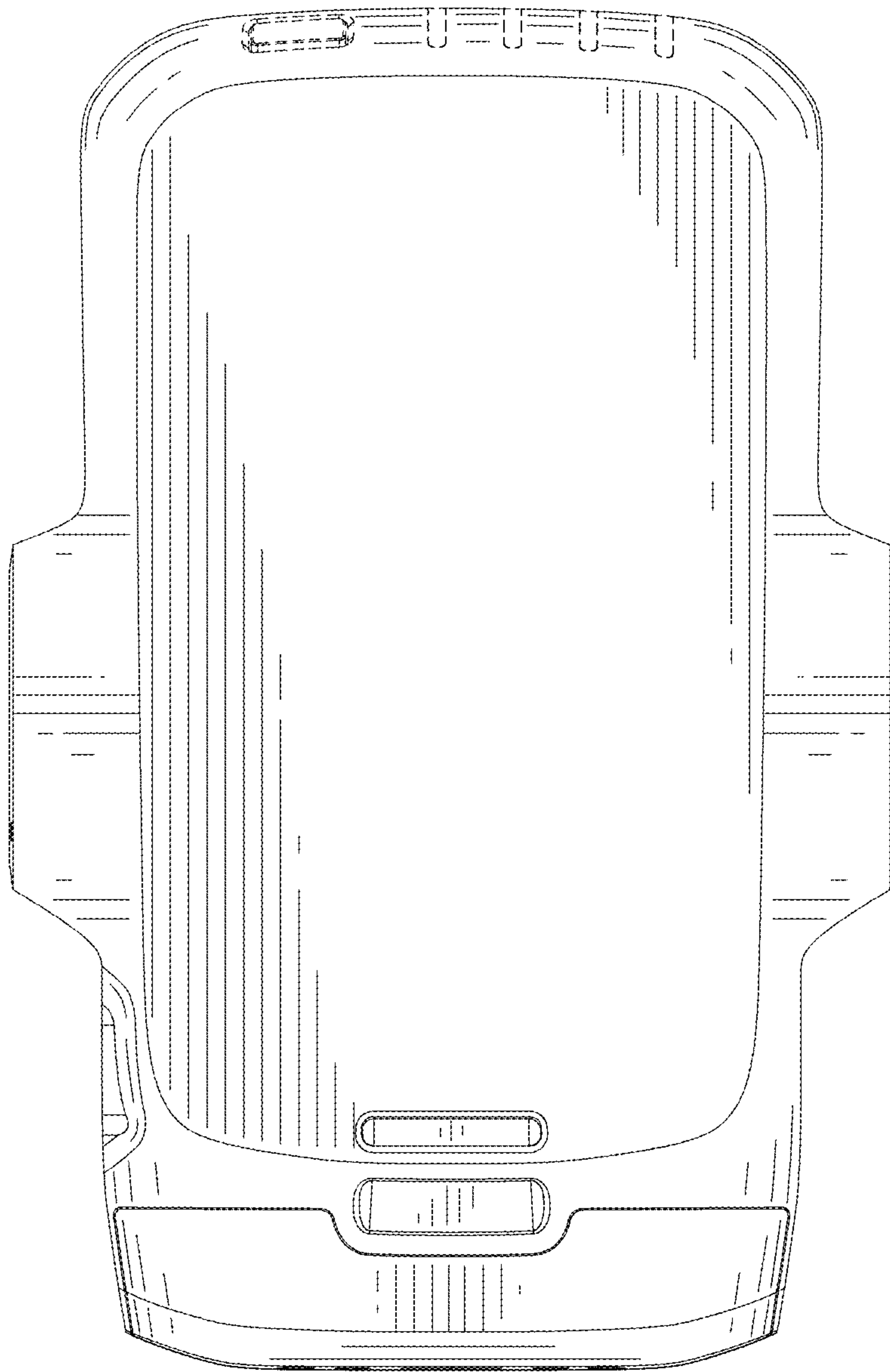


FIG. 3



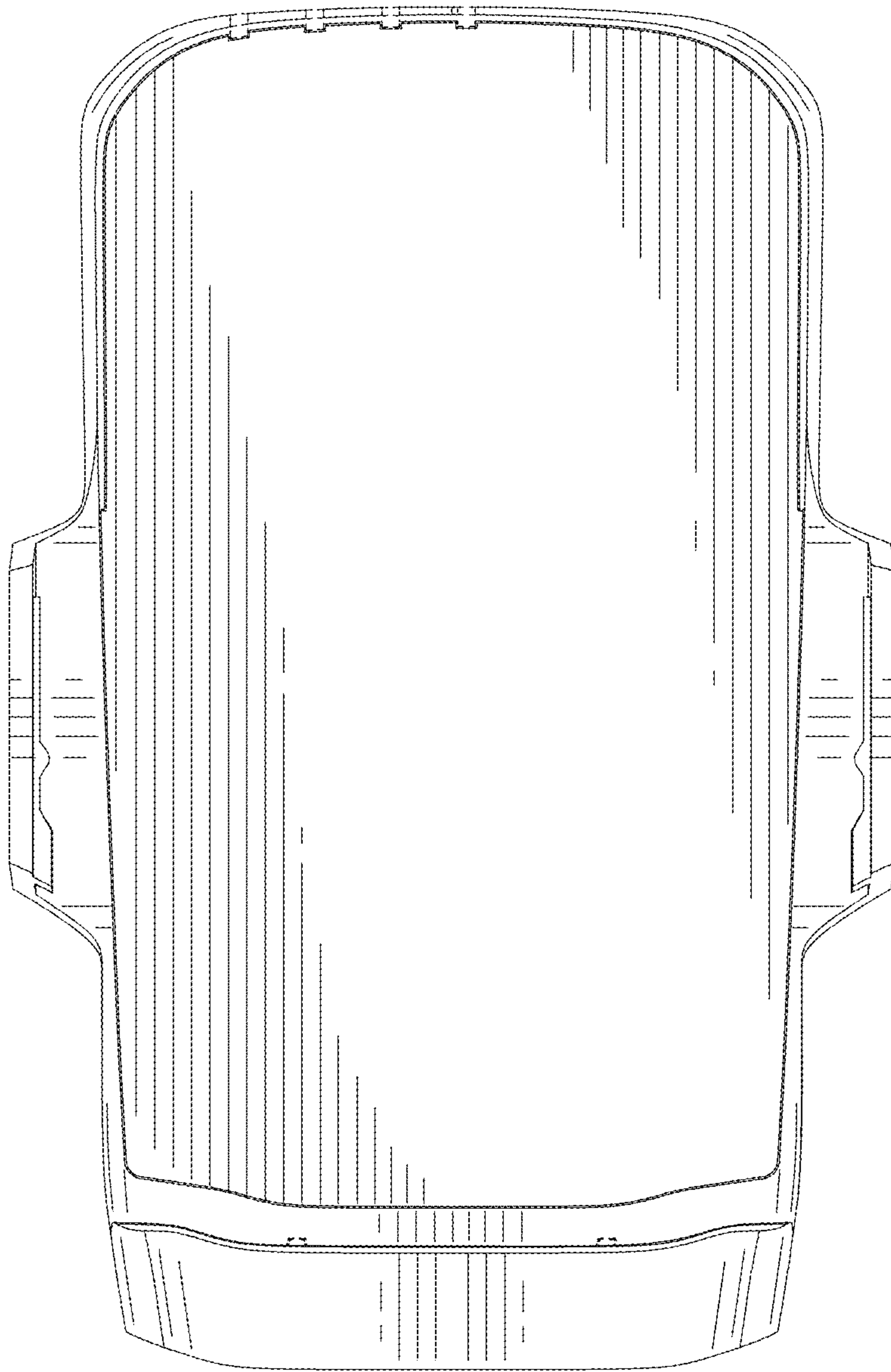


FIG. 4

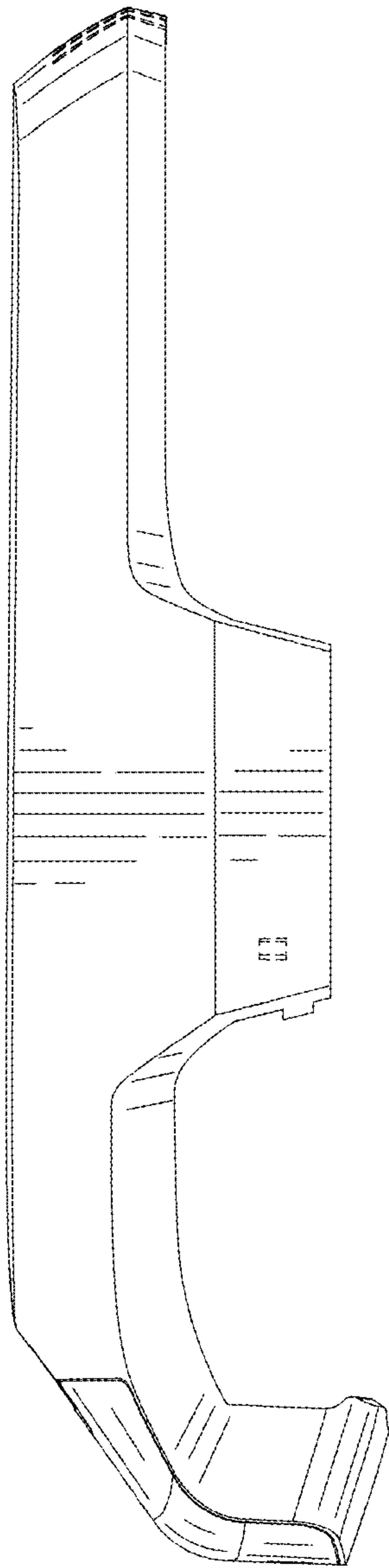


FIG. 5

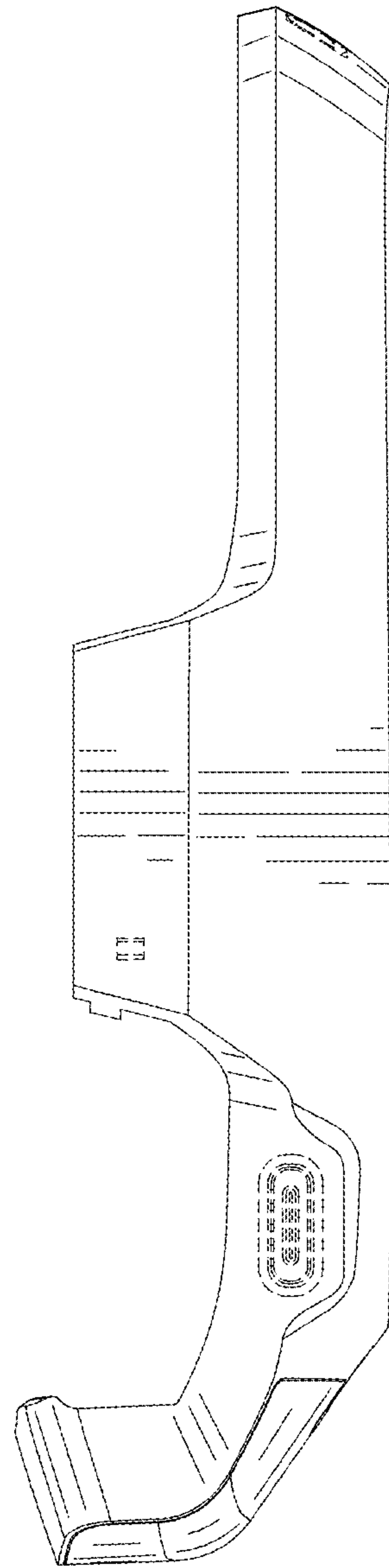


FIG. 6

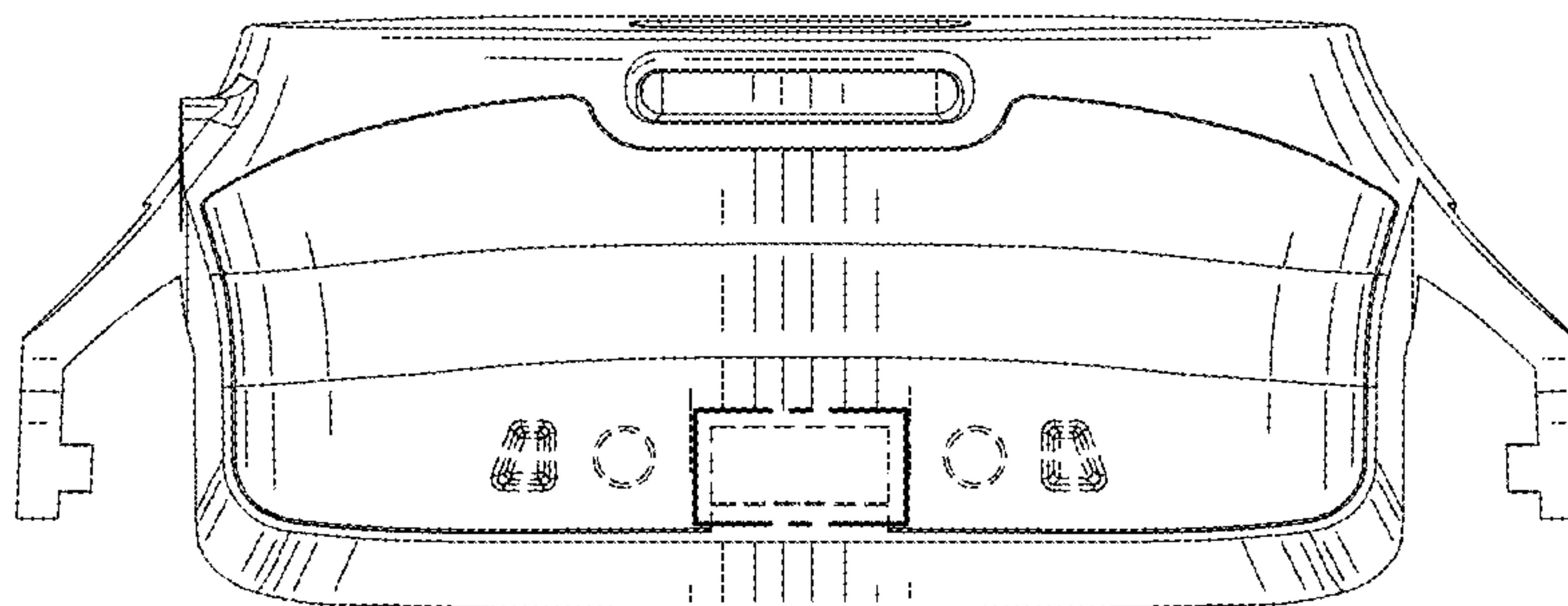


FIG. 7

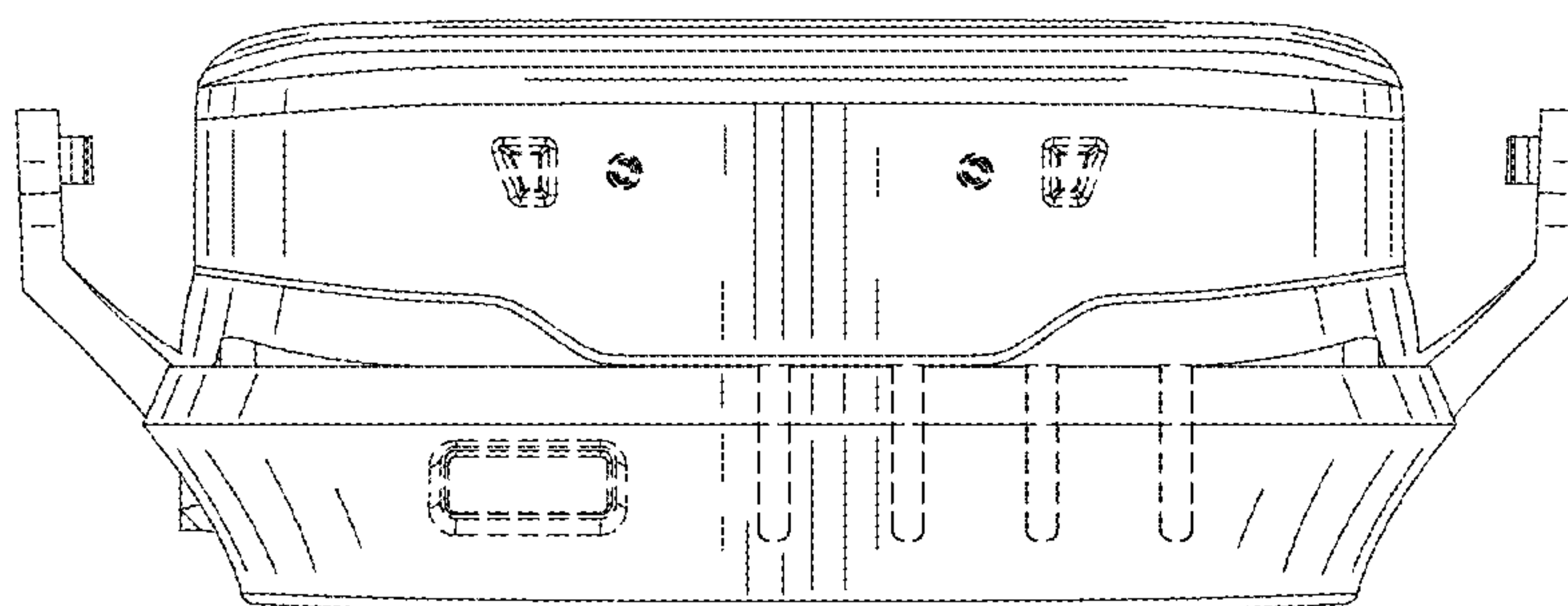


FIG. 8