



US00D945959S

(12) **United States Design Patent**  
**Okuda et al.**

(10) **Patent No.:** **US D945,959 S**  
(45) **Date of Patent:** **\*\* Mar. 15, 2022**

- (54) **BATTERY**
- (71) Applicant: **MAKITA CORPORATION**, Anjo (JP)
- (72) Inventors: **Shinsuke Okuda**, Anjo (JP); **Tatsuya Nagahama**, Anjo (JP)
- (73) Assignee: **MAKITA CORPORATION**, Anjo (JP)
- (\*\*) Term: **15 Years**
- (21) Appl. No.: **29/725,483**
- (22) Filed: **Feb. 25, 2020**

(30) **Foreign Application Priority Data**

Aug. 26, 2019 (JP) ..... 2019-018853

(51) **LOC (13) Cl.** ..... **13-02**

(52) **U.S. Cl.**  
USPC ..... **D13/103**

(58) **Field of Classification Search**  
USPC ..... D13/102–106, 110, 118–119, 184  
CPC ..... Y02E 60/10; H01M 6/00; H01M 6/14;  
H01M 6/05; H01M 6/10; H01M 10/052  
See application file for complete search history.

(56) **References Cited**

**U.S. PATENT DOCUMENTS**

- D516,504 S \* 3/2006 Okuda ..... D13/103
- D523,807 S \* 6/2006 Murayama et al.
- D555,086 S \* 11/2007 Zhang ..... D13/103
- D589,441 S \* 3/2009 Van Wambeke ..... D13/103
- D597,932 S \* 8/2009 Aglassinger ..... D13/103
- D604,695 S \* 11/2009 Aglassinger ..... D13/103
- D606,935 S \* 12/2009 Murayama ..... D13/103
- D622,661 S \* 8/2010 Yamada ..... D13/103
- D639,730 S \* 6/2011 Kawase ..... D13/103
- D640,628 S \* 6/2011 Lopano ..... D13/103
- D640,975 S \* 7/2011 Okuda ..... D13/103
- D643,809 S \* 8/2011 Okuda ..... D13/103

- D657,307 S \* 4/2012 Zhao ..... D13/103
- D679,651 S \* 4/2013 Stratford ..... D13/103
- D682,192 S \* 5/2013 Corbin ..... D13/103
- D682,193 S \* 5/2013 Corbin ..... D13/103
- D712,826 S \* 9/2014 Marino ..... D13/103
- D785,562 S \* 5/2017 Cooper ..... D13/103
- D797,661 S \* 9/2017 Elder ..... D13/103
- D800,650 S \* 10/2017 Itoh ..... D13/103

(Continued)

*Primary Examiner* — Rosemary K Tarcza  
(74) *Attorney, Agent, or Firm* — Global IP Counselors, LLP

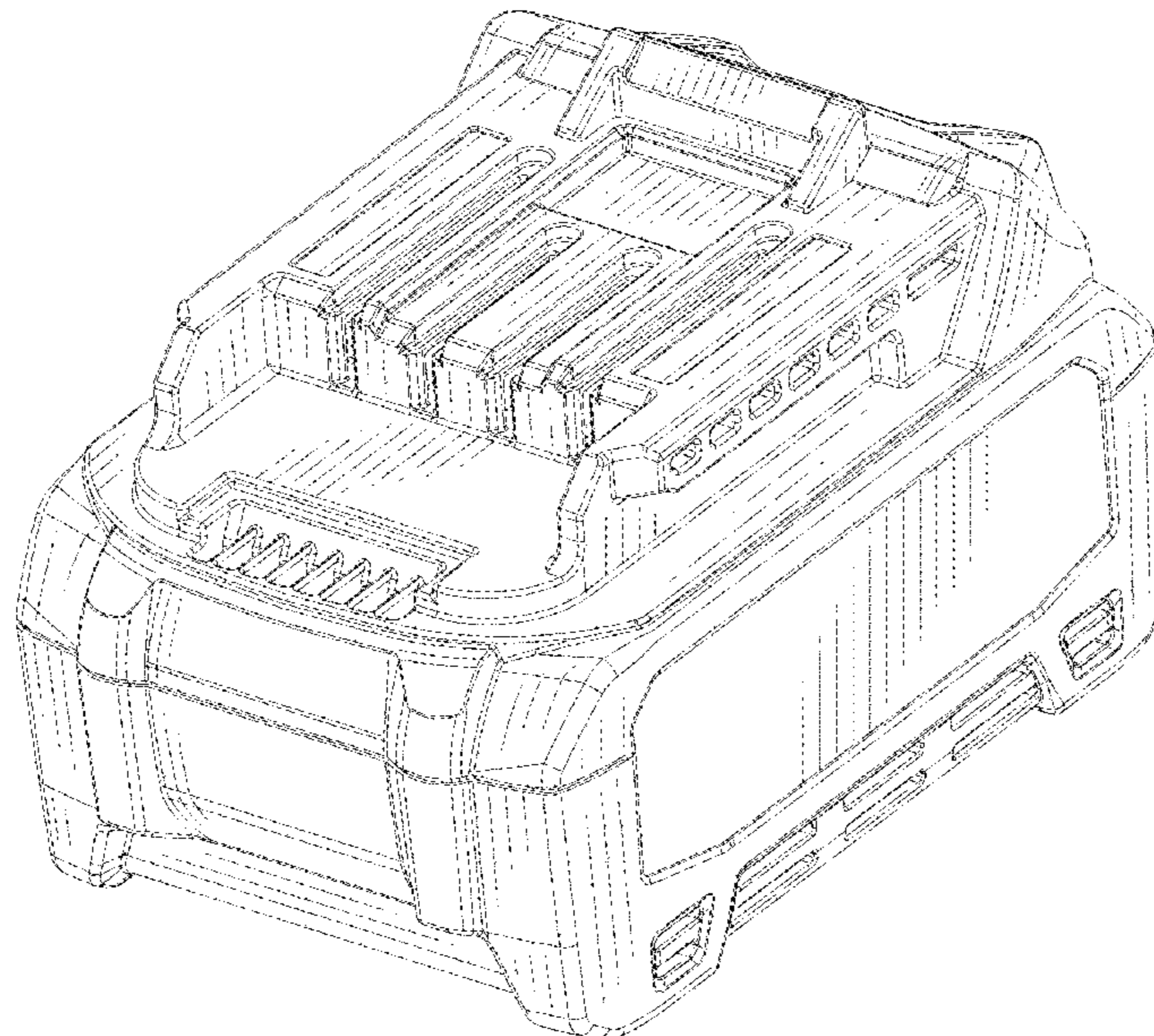
(57) **CLAIM**

The ornamental design for a battery, as shown and described.

**DESCRIPTION**

FIG. 1 is a front top perspective view of a battery in accordance with our new design;  
 FIG. 2 is a rear top perspective view of the battery in accordance with our new design;  
 FIG. 3 is a rear bottom perspective view of the battery in accordance with our new design;  
 FIG. 4 is a front elevational view of the battery in accordance with our new design;  
 FIG. 5 is a rear elevational view of the battery in accordance with our new design;  
 FIG. 6 is a top plan view of the battery in accordance with our new design;  
 FIG. 7 is a bottom plan view of the battery in accordance with our new design;  
 FIG. 8 is a right side elevational view of the battery in accordance with our new design; and,  
 FIG. 9 is a left side elevational view of the battery in accordance with our new design.  
 The broken lines shown in the drawings illustrate portions of the battery that form no part of the claimed design.

**1 Claim, 9 Drawing Sheets**



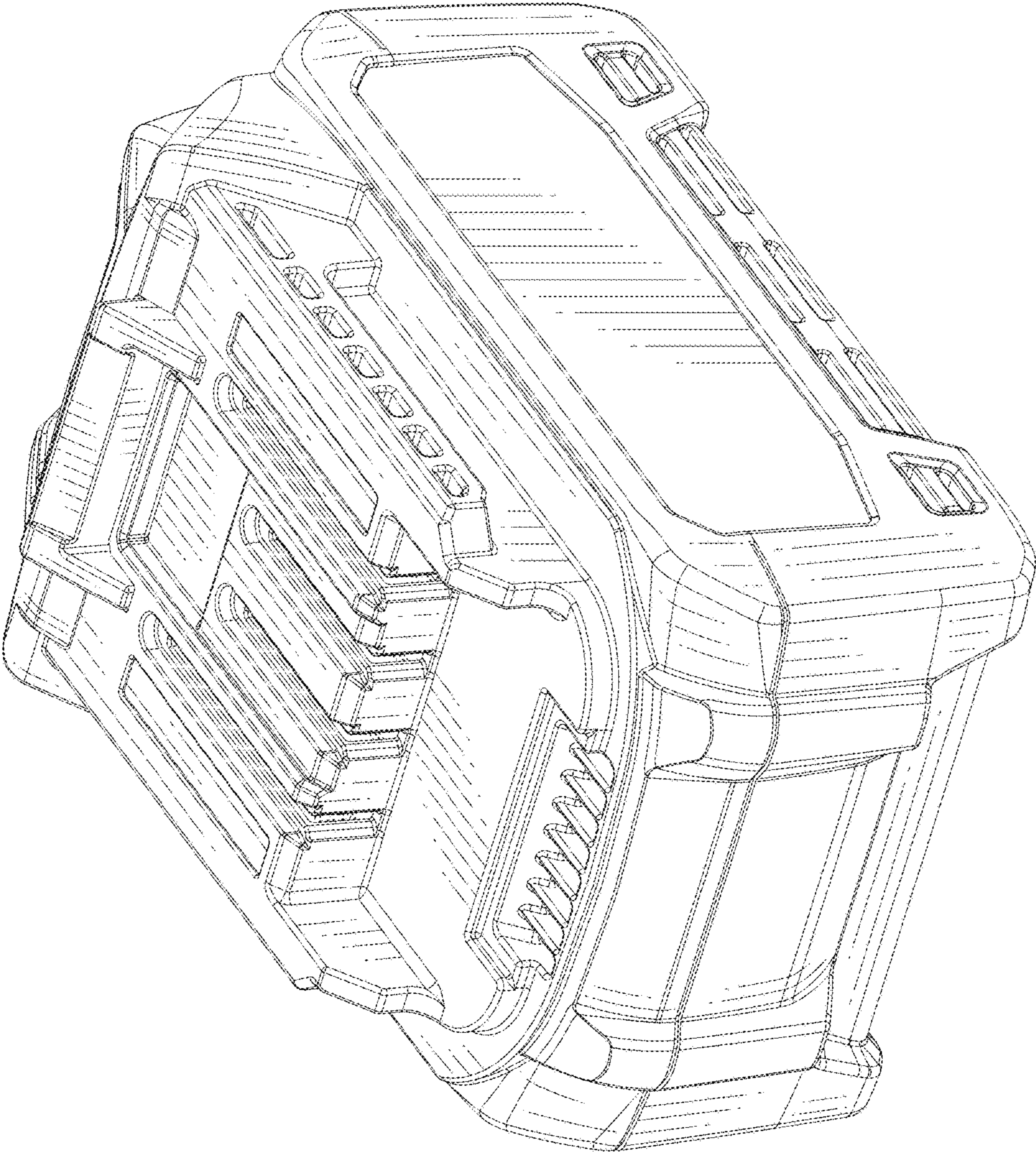
(56)

**References Cited**

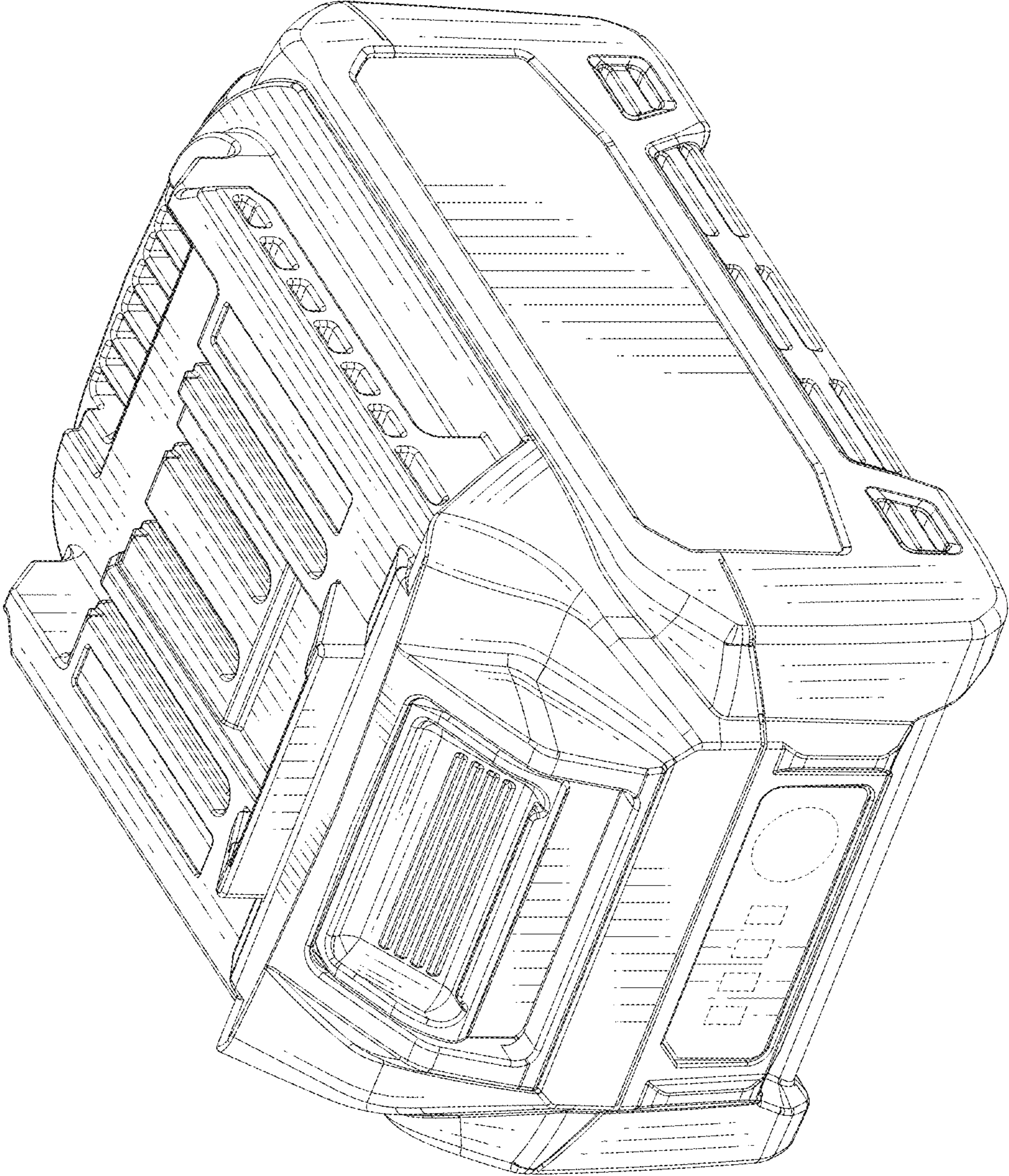
U.S. PATENT DOCUMENTS

D801,919	S	*	11/2017	Elder	.....	D13/103
D812,555	S	*	3/2018	Schoch	.....	D13/103
D818,948	S	*	5/2018	Waldron	.....	D13/103
D819,562	S	*	6/2018	Waldron	.....	D13/103
D826,150	S	*	8/2018	Cayon	.....	D13/103
D844,558	S	*	4/2019	Taniguchi	.....	D13/103
D884,600	S	*	5/2020	Zhou	.....	D13/103
D884,601	S	*	5/2020	Zhou	.....	D13/103
D887,969	S	*	6/2020	Howell	.....	D13/103
D890,692	S	*	7/2020	Elder	.....	D13/103
D894,120	S	*	8/2020	Timm	.....	D13/103
D898,662	S	*	10/2020	Waldron	.....	D13/103
D911,931	S	*	3/2021	Li	.....	D13/103
D912,615	S	*	3/2021	Li	.....	D13/103
D919,560	S	*	5/2021	Taniguchi	.....	D13/103
2010/0085020	A1	*	4/2010	Suzuki	.....	H01M 10/4207 320/157

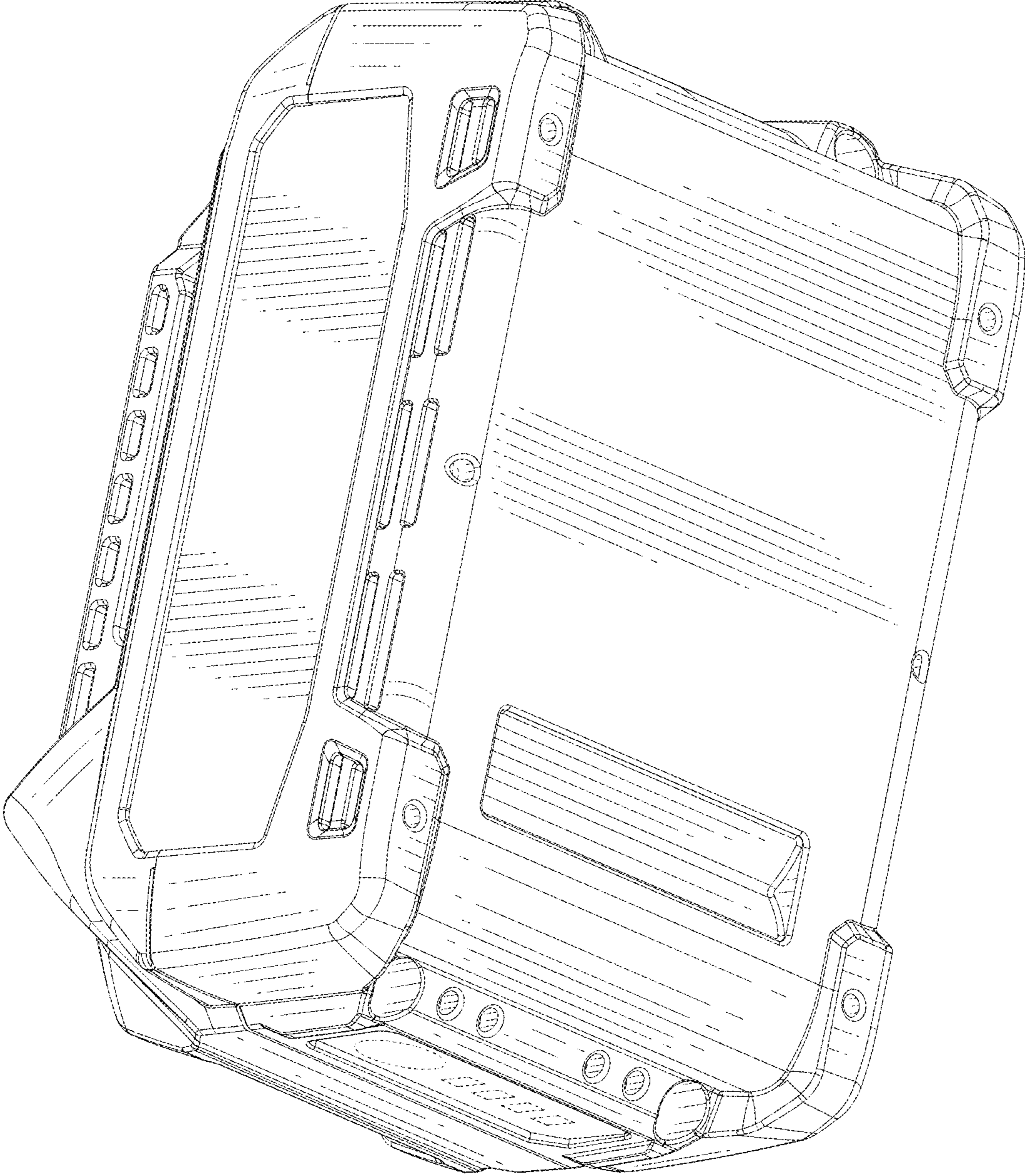
\* cited by examiner



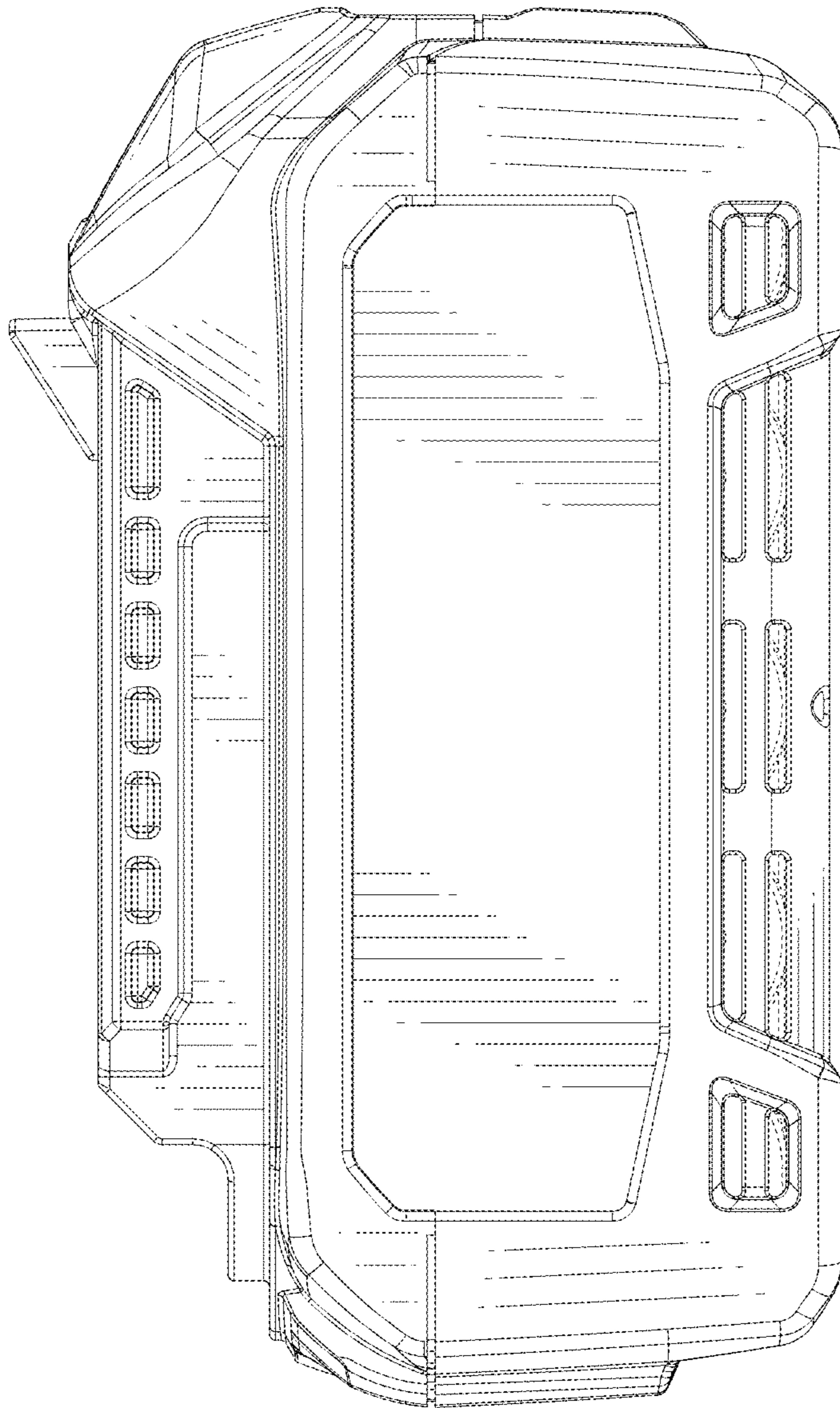
**FIG. 1**



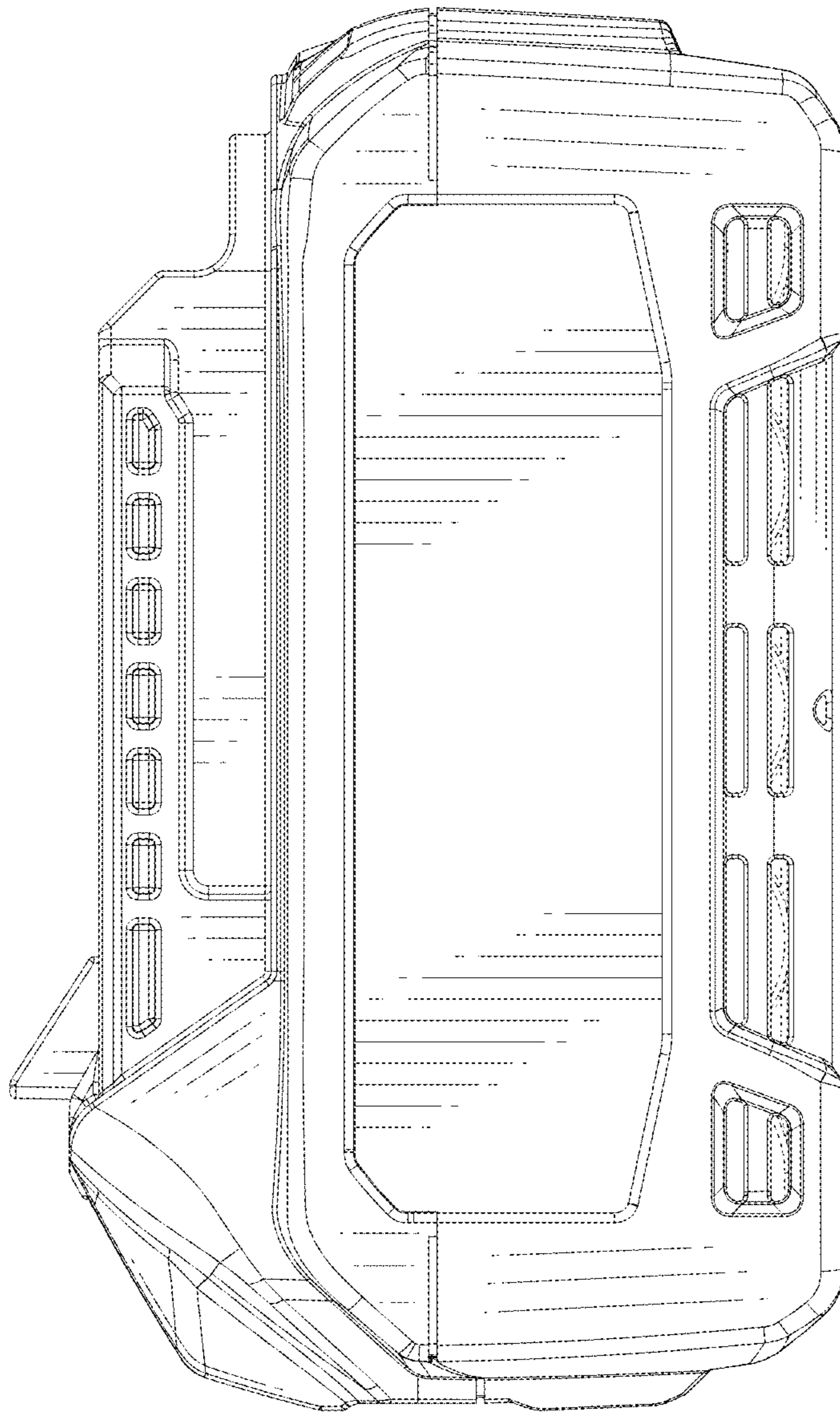
**FIG. 2**



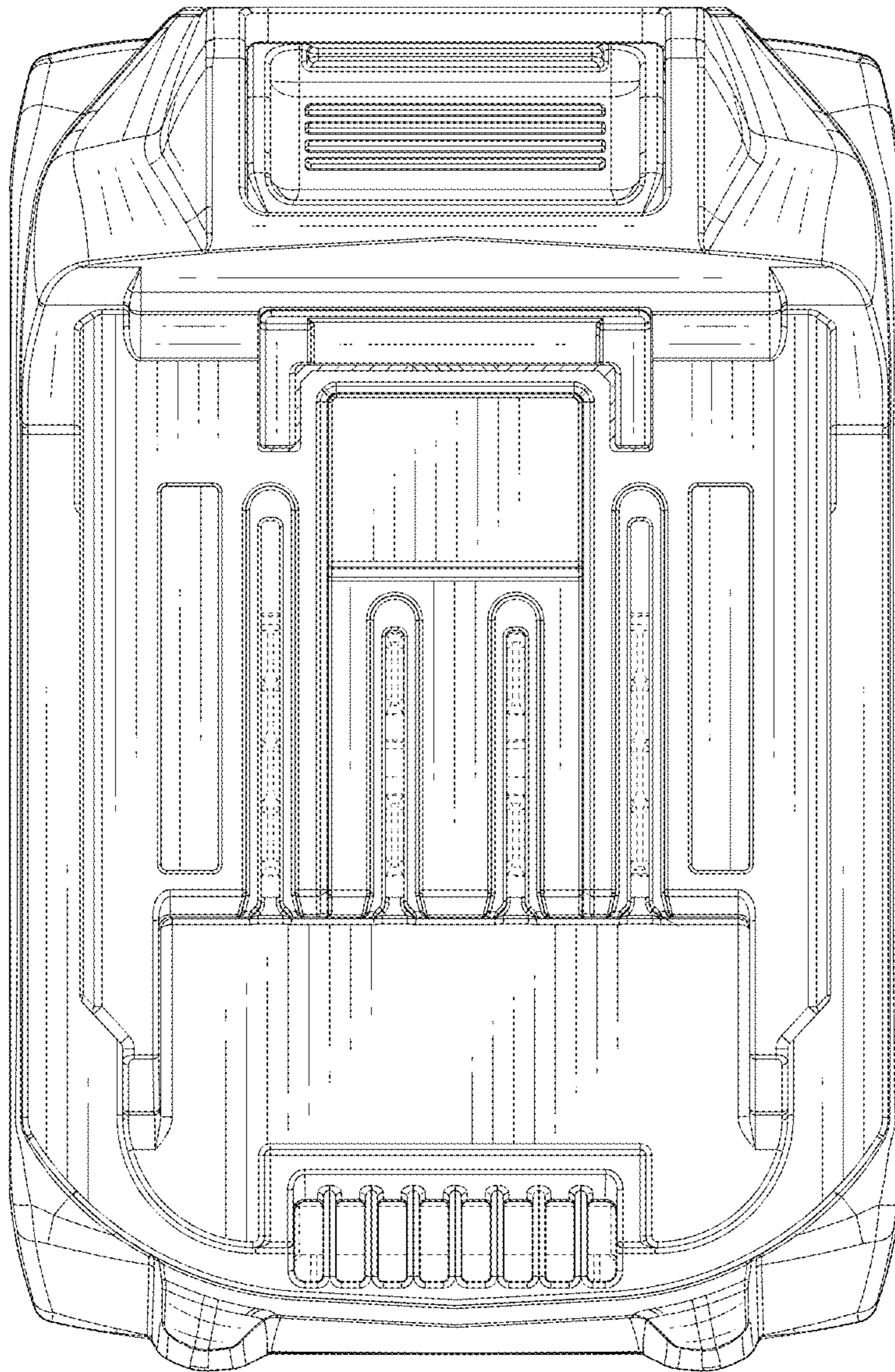
**FIG. 3**



**FIG. 4**

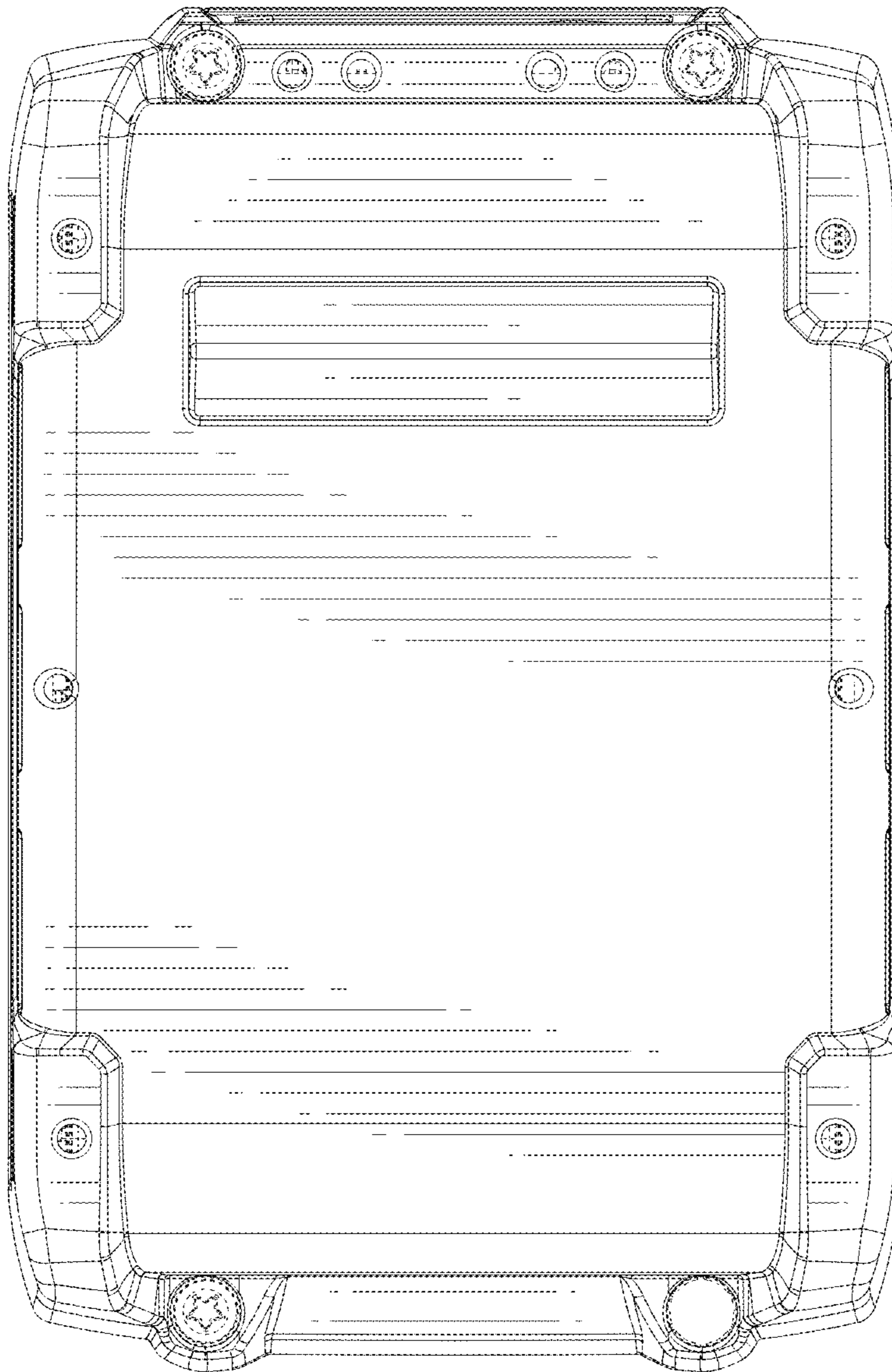


**FIG. 5**

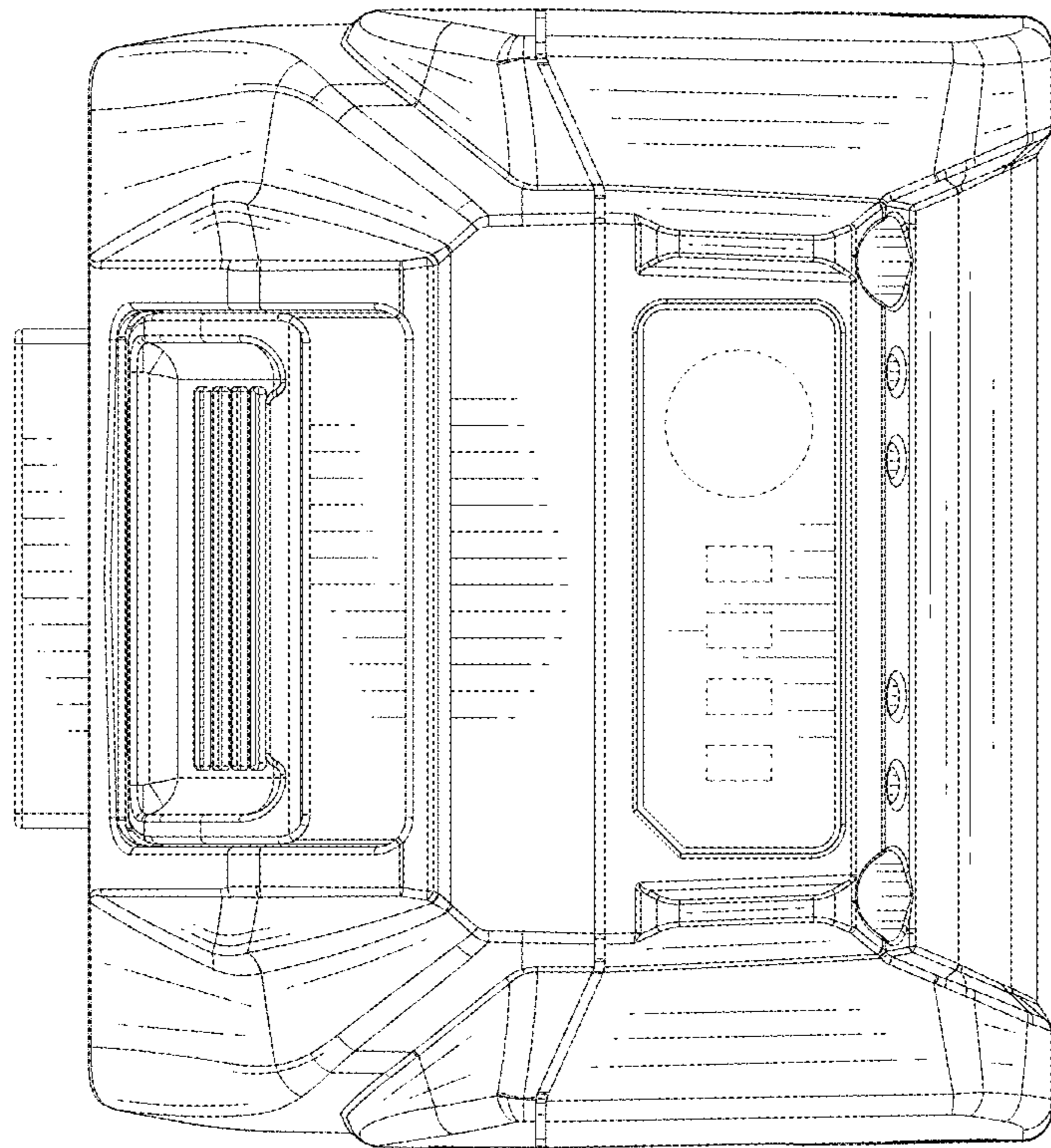


**FIG. 6**

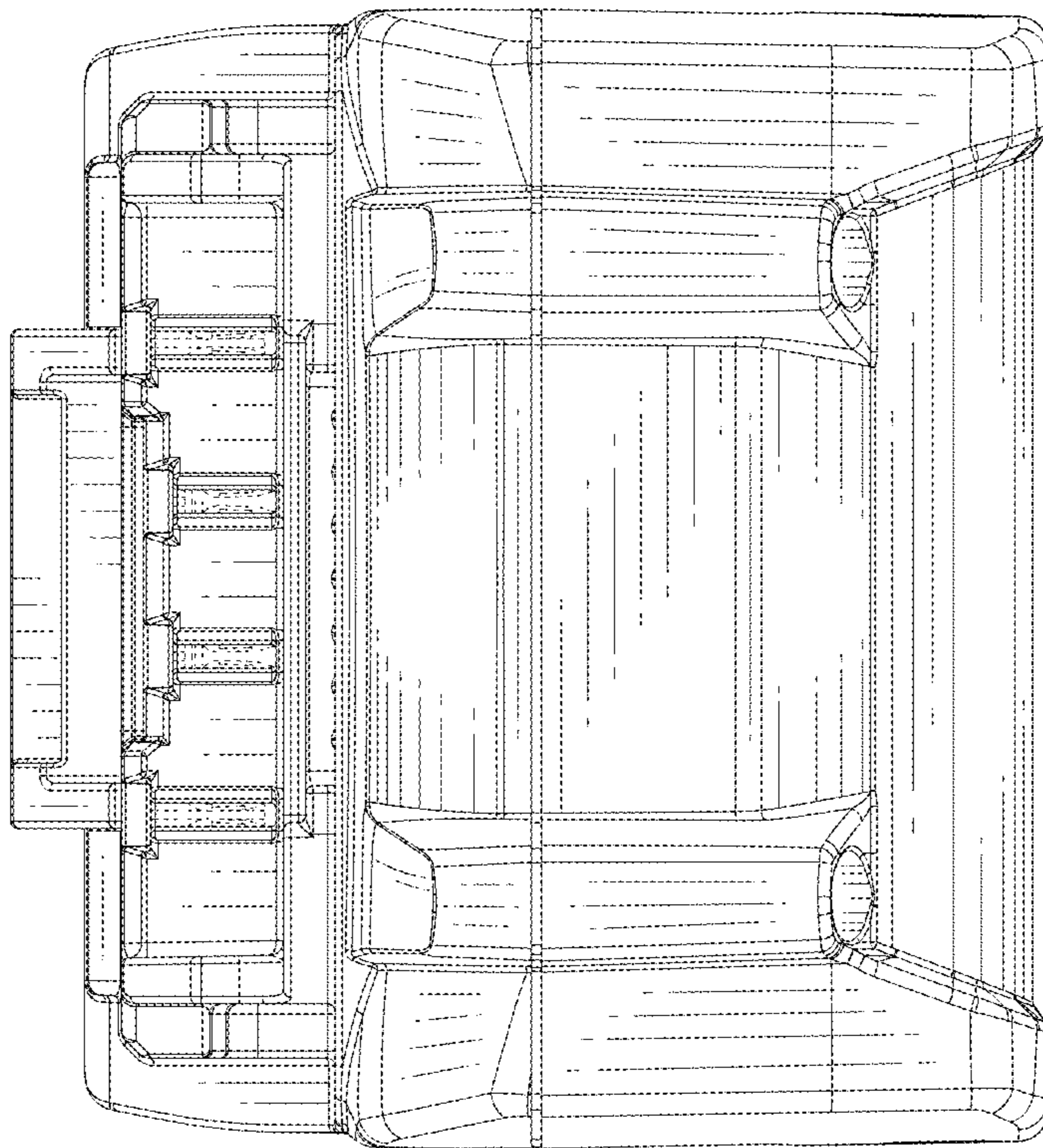




**FIG. 7**



**FIG. 8**



**FIG. 9**