



US00D945958S

(12) **United States Design Patent**
Wen

(10) **Patent No.:** **US D945,958 S**
(45) **Date of Patent:** **** Mar. 15, 2022**

- (54) **SOLAR POWER BANK**
- (71) Applicant: **Baijiang Wen**, Yuyao (CN)
- (72) Inventor: **Baijiang Wen**, Yuyao (CN)
- (**) Term: **15 Years**
- (21) Appl. No.: **29/769,988**
- (22) Filed: **Feb. 9, 2021**
- (51) **LOC (13) Cl.** **13-02**
- (52) **U.S. Cl.**
USPC **D13/102**
- (58) **Field of Classification Search**
USPC D13/101, 102, 103, 107, 108, 110, 199
CPC H02J 7/02; H02J 7/35; H02J 7/355; H02J
7/007; H02S 40/30; H02S 40/32; H02S
40/34; H02S 40/38; H02S 10/40; H01L
31/02; H01L 31/042; H01L 31/045; H01L
31/046; H01L 31/048; H01L 31/052;
Y02E 10/50; Y02E 10/544; F24J 2/38;
F24J 2/0472; F24J 2/542
See application file for complete search history.

D817,866 S * 5/2018 Liu D13/102
D836,064 S 12/2018 Liu
D899,354 S 10/2020 Liu
2010/0109599 A1* 5/2010 Lin H02J 7/35
320/101

* cited by examiner

Primary Examiner — Derrick E Holland

(57) **CLAIM**

The ornamental design for a solar power bank, as shown and described.

DESCRIPTION

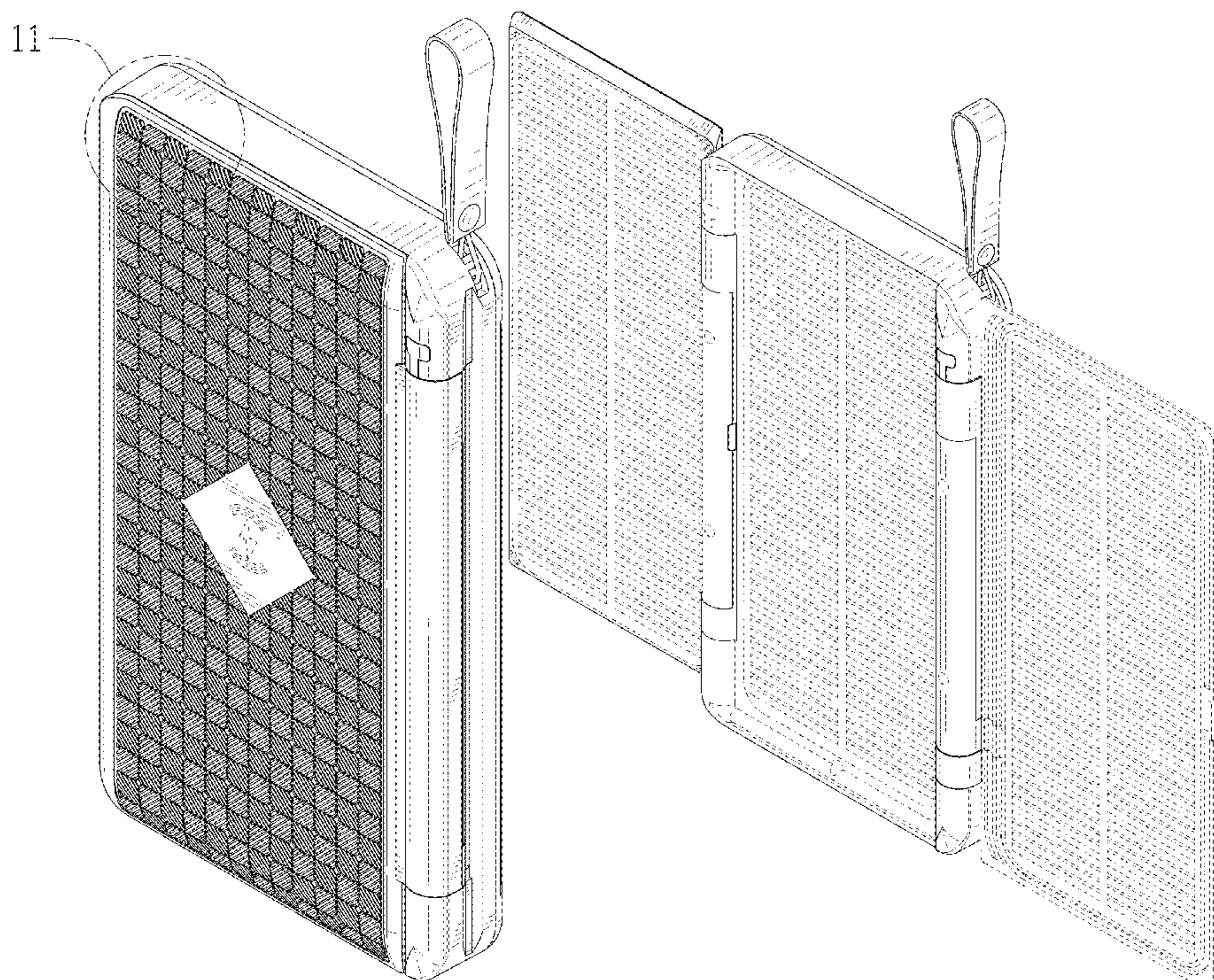
FIG. 1 is a first perspective view of a solar power bank showing my new design;
FIG. 2 is a second perspective view thereof;
FIG. 3 is a front view thereof;
FIG. 4 is a back view thereof;
FIG. 5 is a left side view thereof;
FIG. 6 is a right side view thereof;
FIG. 7 is a top view thereof;
FIG. 8 is a bottom view thereof;
FIG. 9 is a perspective view of another state of the solar power bank thereof;
FIG. 10 is a perspective view of another state of the solar power bank thereof;
FIG. 11 is an enlarged view of the selected portion in FIG. 1; and,
FIG. 12 is an enlarged view of the selected portion in FIG. 2.

The broken lines shown in the drawings depict portions of the solar power bank in which the design is embodied that form no part of the claimed design.

1 Claim, 12 Drawing Sheets

(56) **References Cited**
U.S. PATENT DOCUMENTS

- 4,786,851 A * 11/1988 Fuji H02J 7/35
320/101
- 5,522,943 A * 6/1996 Spencer H02S 10/40
136/245
- D630,162 S * 1/2011 Bullen D13/102
- D708,570 S * 7/2014 Martin D13/102
- D724,012 S * 3/2015 Zhan D13/102
- D776,050 S * 1/2017 Awad D13/102



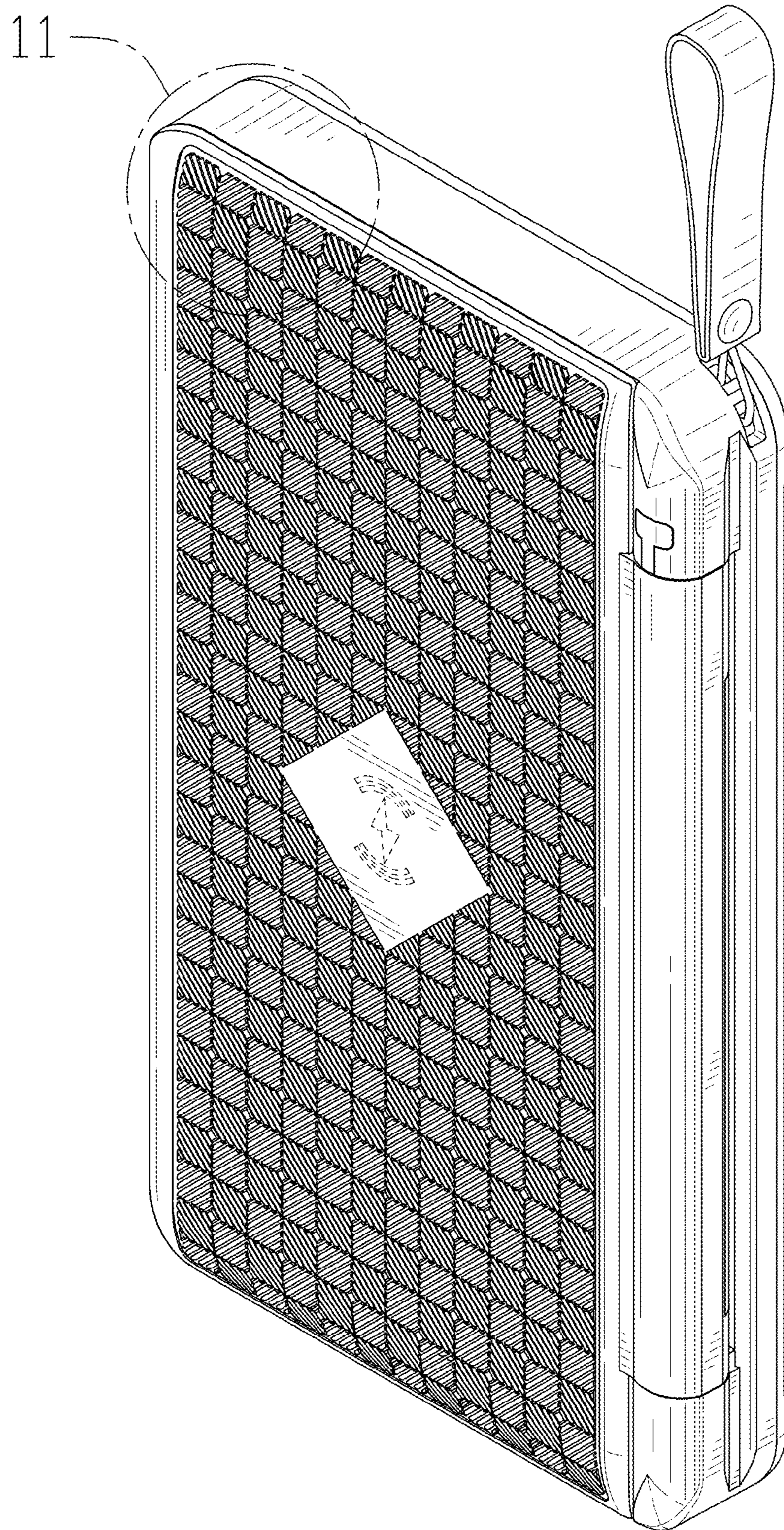


FIG. 1

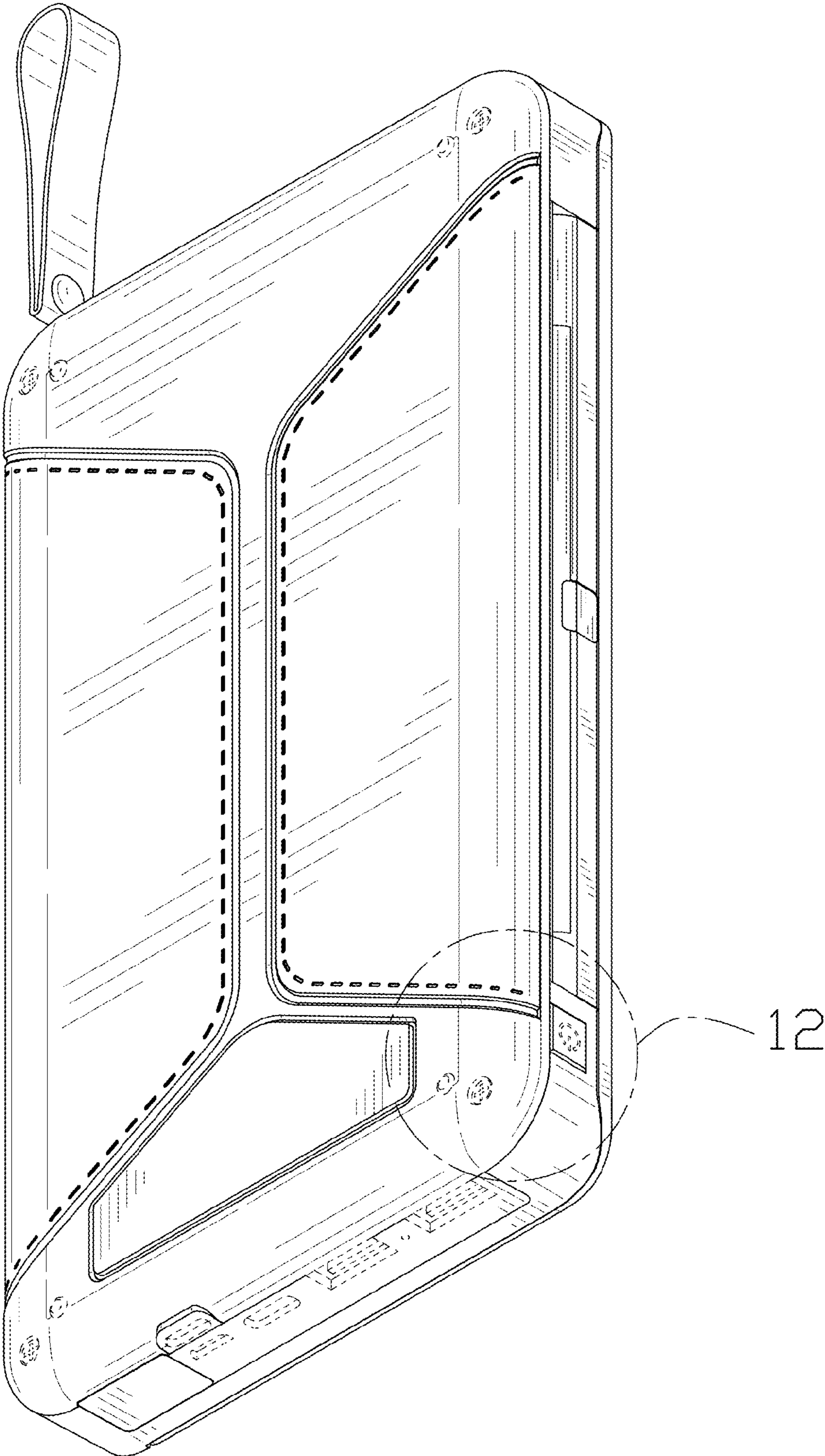


FIG. 2

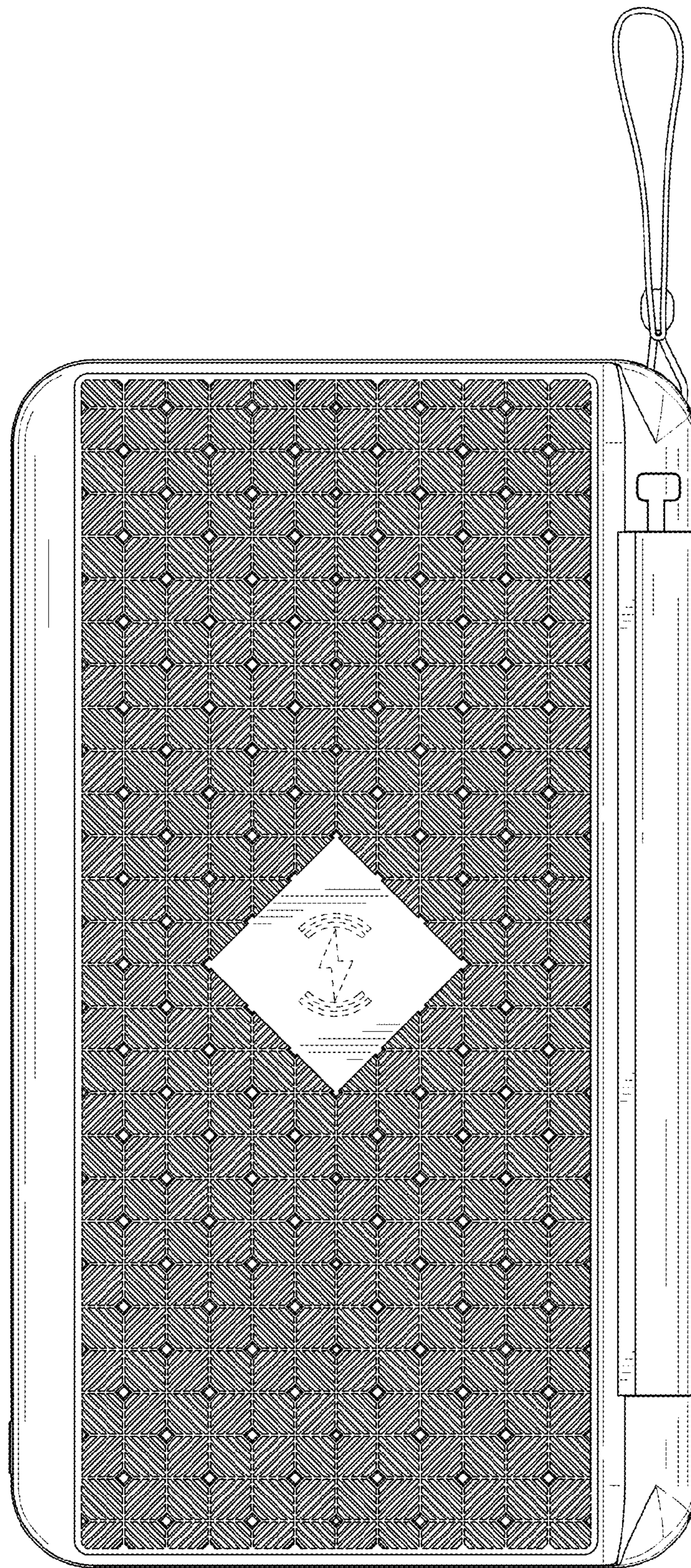


FIG. 3

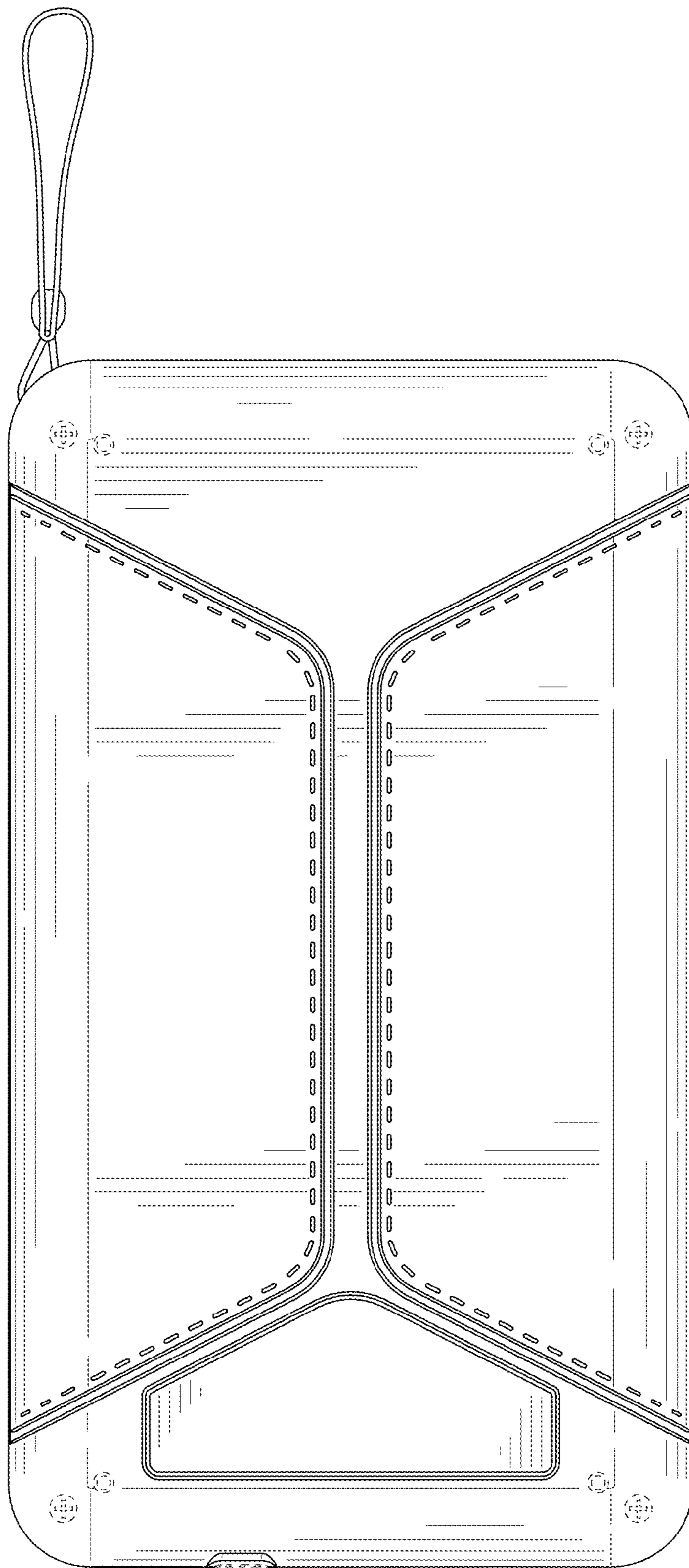


FIG. 4

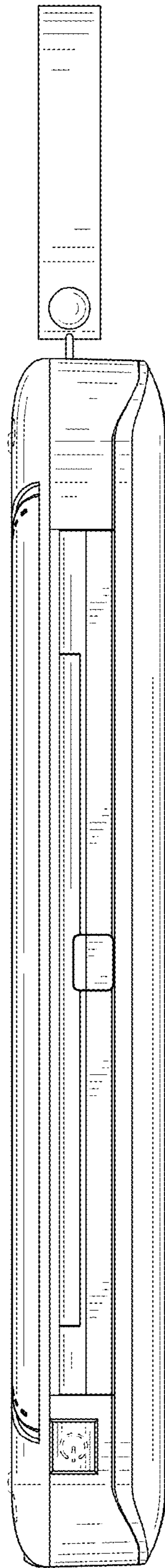


FIG. 5

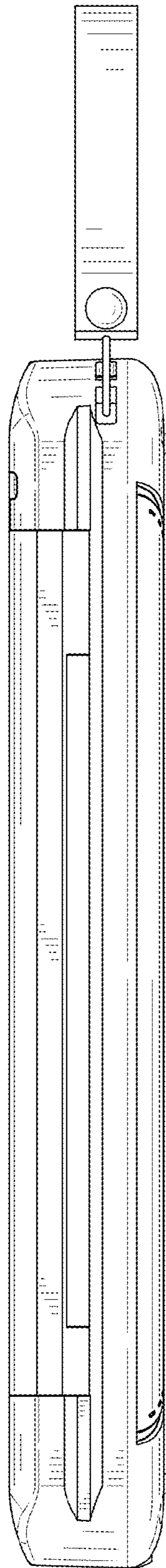


FIG. 6

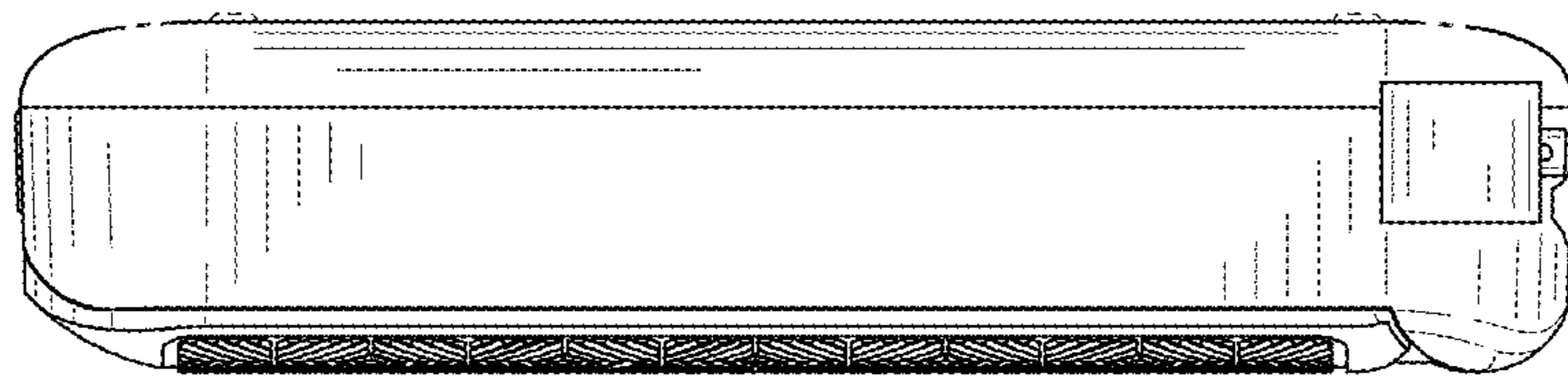


FIG. 7

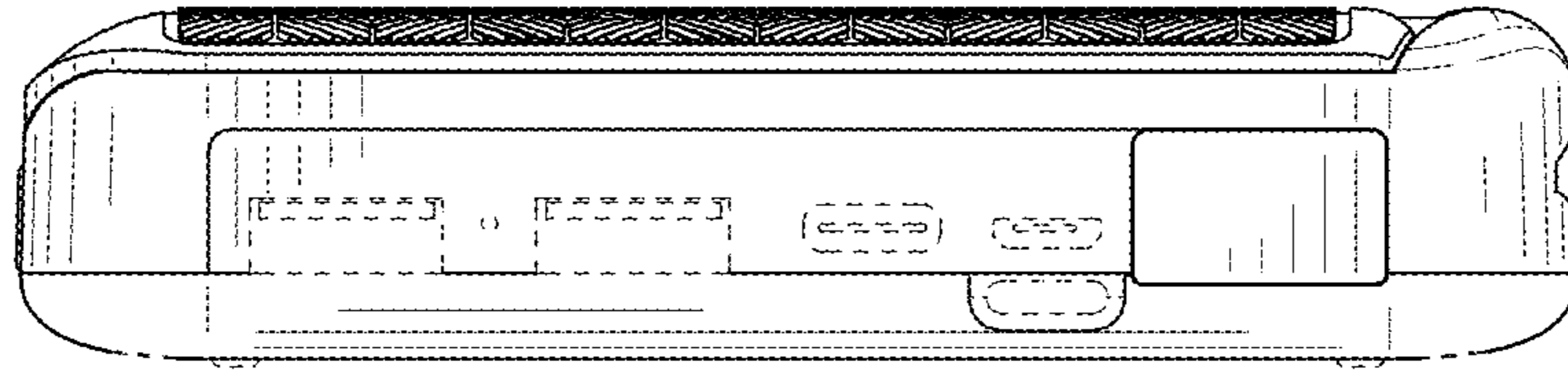


FIG. 8

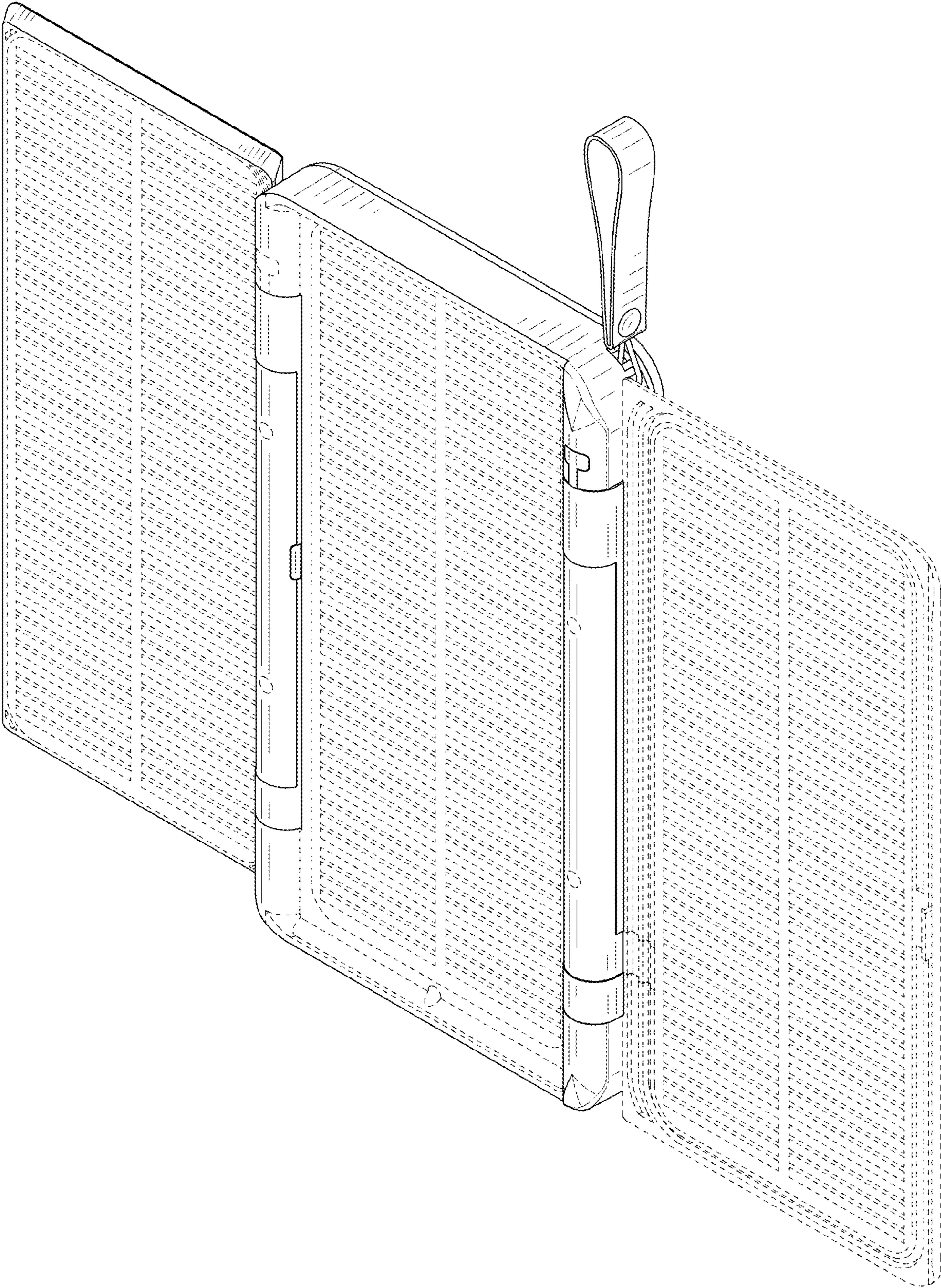


FIG. 9

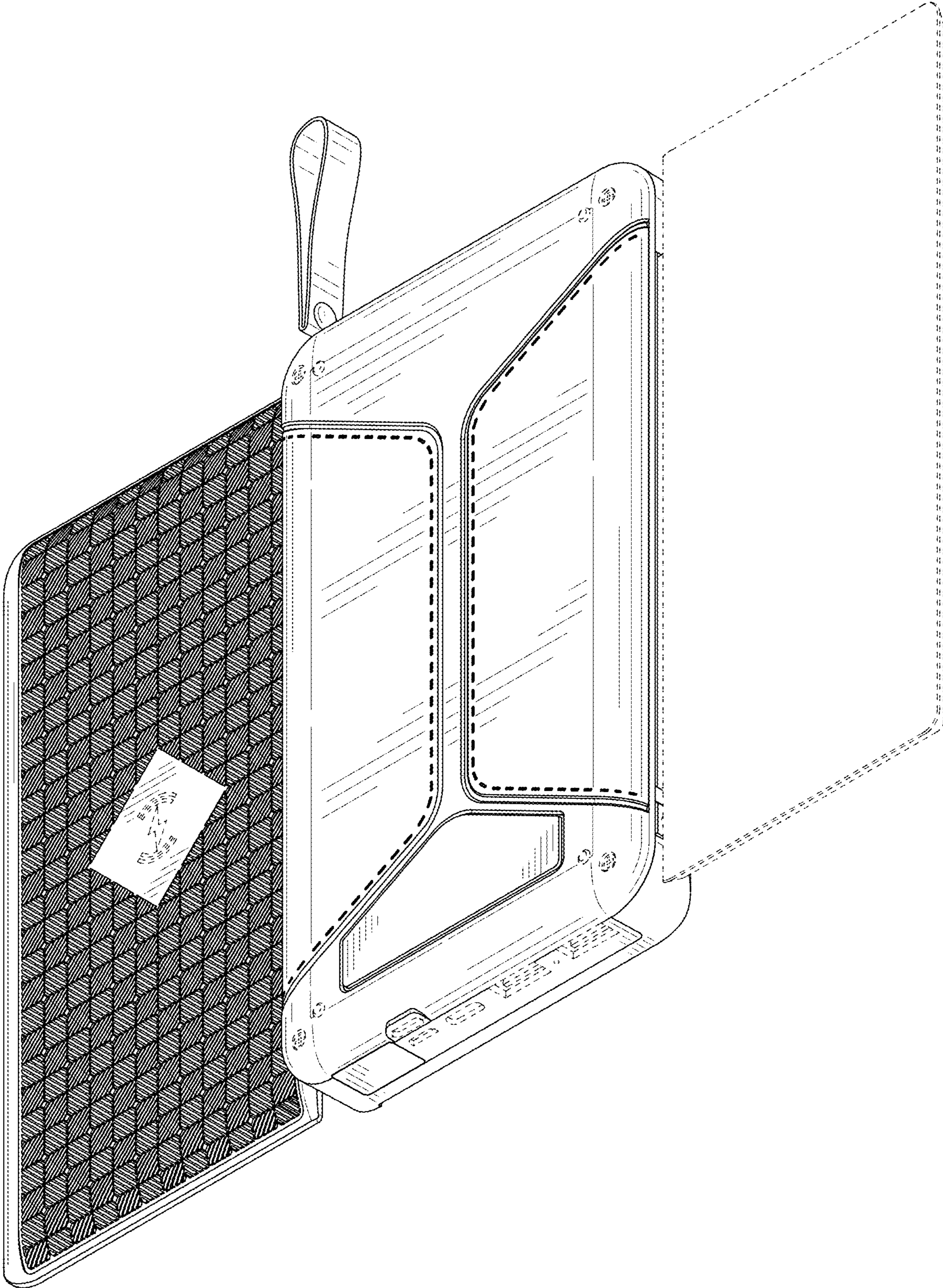


FIG. 10

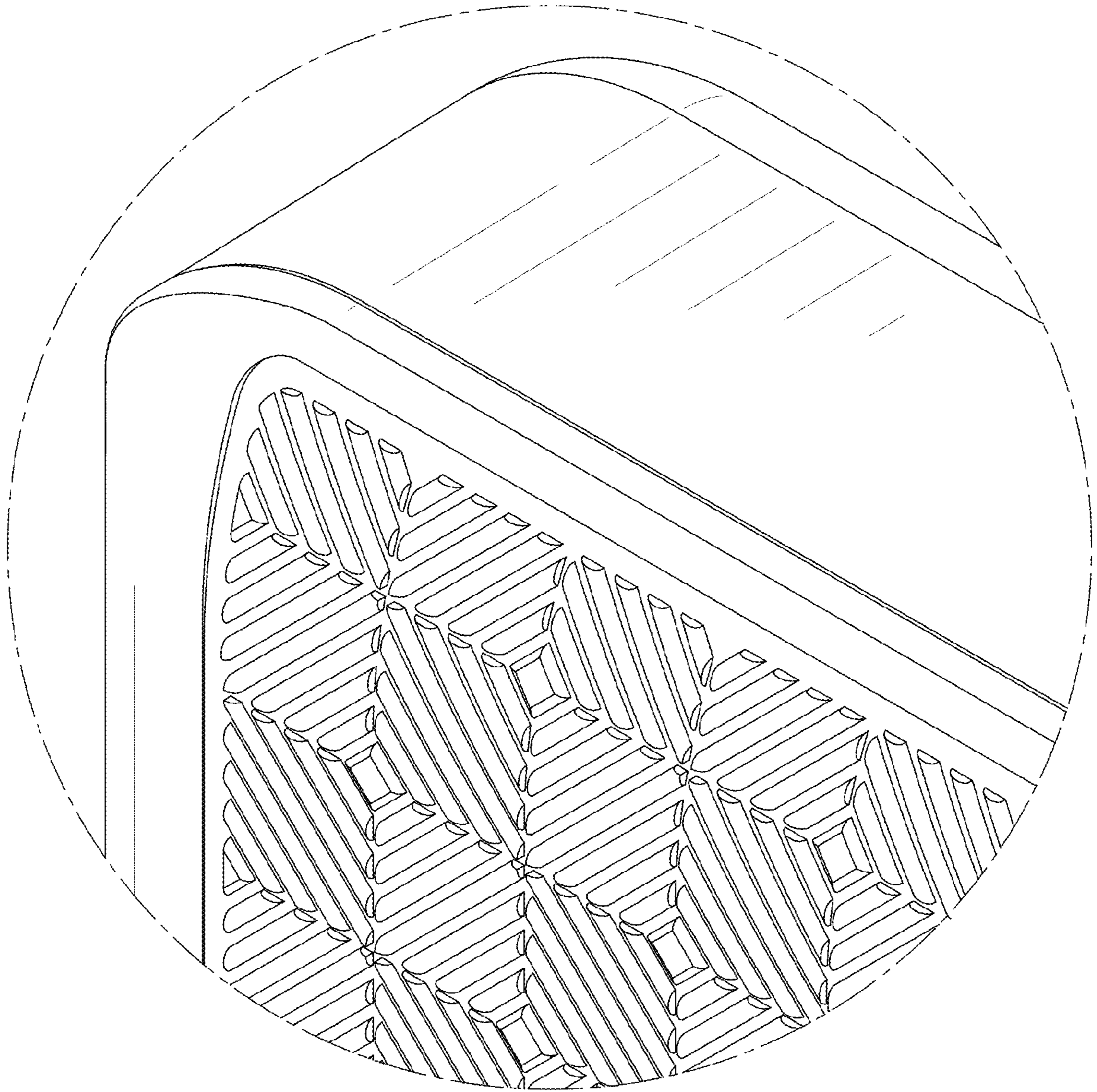


FIG. 11

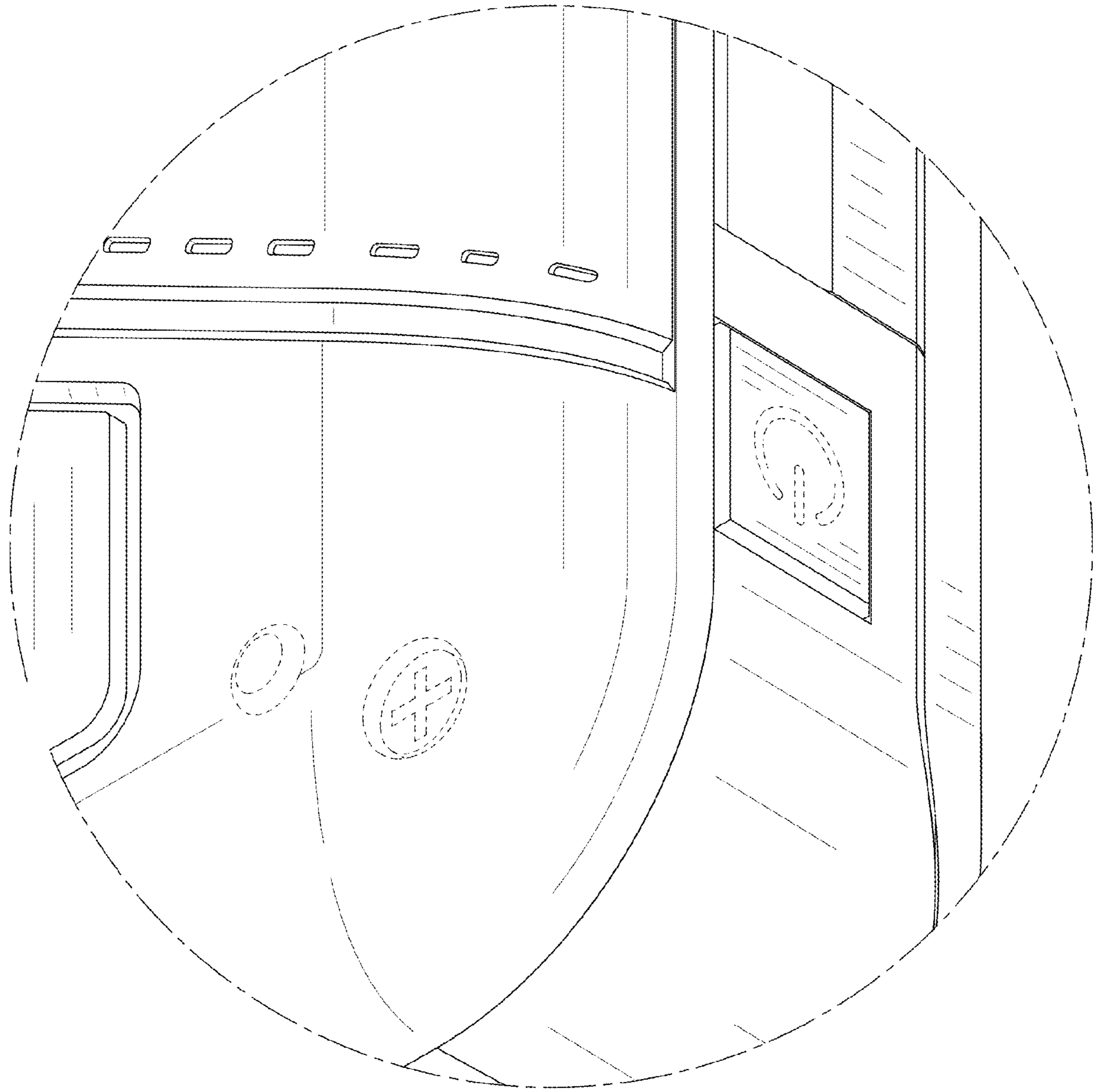


FIG. 12