



US00D945950S

(12) **United States Design Patent**
Matsushita

(10) **Patent No.:** **US D945,950 S**

(45) **Date of Patent:** **** Mar. 15, 2022**

(54) **AUTOMOBILE TIRE**

(71) Applicant: **THE YOKOHAMA RUBBER CO., LTD.**, Tokyo (JP)

(72) Inventor: **Kotaro Matsushita**, Hiratsuka (JP)

(73) Assignee: **THE YOKOHAMA RUBBER CO., LTD.**, Tokyo (JP)

(**) Term: **15 Years**

(21) Appl. No.: **29/729,163**

(22) Filed: **Mar. 24, 2020**

(30) **Foreign Application Priority Data**

Sep. 26, 2019 (JP) 2019-021566

(51) **LOC (13) Cl.** **12-15**

(52) **U.S. Cl.**
USPC **D12/521**

(58) **Field of Classification Search**
USPC D12/500-532, 604
CPC Y10T 152/10027; B60C 1/0016; B60C 11/0306; B60C 11/0302; B60C 3/06; B60C 9/17
See application file for complete search history.

(56) **References Cited**

U.S. PATENT DOCUMENTS

D432,956 S	*	10/2000	Ricquet	D12/521
D513,400 S	*	1/2006	Sakaguchi	D12/523
D525,186 S	*	7/2006	Martin	D12/521
D586,726 S	*	2/2009	Baumard	D12/521
D613,235 S	*	4/2010	Kossi	D12/521
D655,239 S	*	3/2012	Zhao	D12/521
D673,894 S	*	1/2013	Hughes	D12/521

D692,822 S	*	11/2013	Nakamura	D12/521
D709,434 S	*	7/2014	Kato	D12/521
D722,010 S	*	2/2015	Tian	D12/521
D761,717 S	*	7/2016	Fu	D12/521
D780,091 S	*	2/2017	Colletti	D12/521
D806,003 S	*	12/2017	Pribula	D12/521
D811,989 S	*	3/2018	Kim	D12/521
D815,584 S	*	4/2018	Hayashi	D12/521
D820,771 S	*	6/2018	Wongsariyanich	D12/521
D873,206 S	*	1/2020	Uphouse	D12/517
D887,342 S	*	6/2020	Moia	D12/521

* cited by examiner

Primary Examiner — John A Voytek

(74) *Attorney, Agent, or Firm* — Banner & Witcoff, Ltd.

(57) **CLAIM**

The ornamental design for an automobile tire, as shown and described.

DESCRIPTION

FIG. 1 is a perspective view of an automobile tire showing my design;

FIG. 2 is a front view thereof;

FIG. 3 is a rear view thereof;

FIG. 4 is a right side view thereof;

FIG. 5 is a left side view thereof;

FIG. 6 is a top view thereof;

FIG. 7 is a bottom view thereof;

FIG. 8 is a partially enlarged view of a portion defined by lines 8-8 shown in FIG. 1;

FIG. 9 is a partially enlarged view of a portion defined by lines 9-9 shown in FIG. 2; and,

FIG. 10 is a cross sectional view of a portion defined by lines 10-10 shown in FIG. 9.

In the drawings, the broken lines depict environmental subject matter only and form no part of the claimed design.

1 Claim, 10 Drawing Sheets

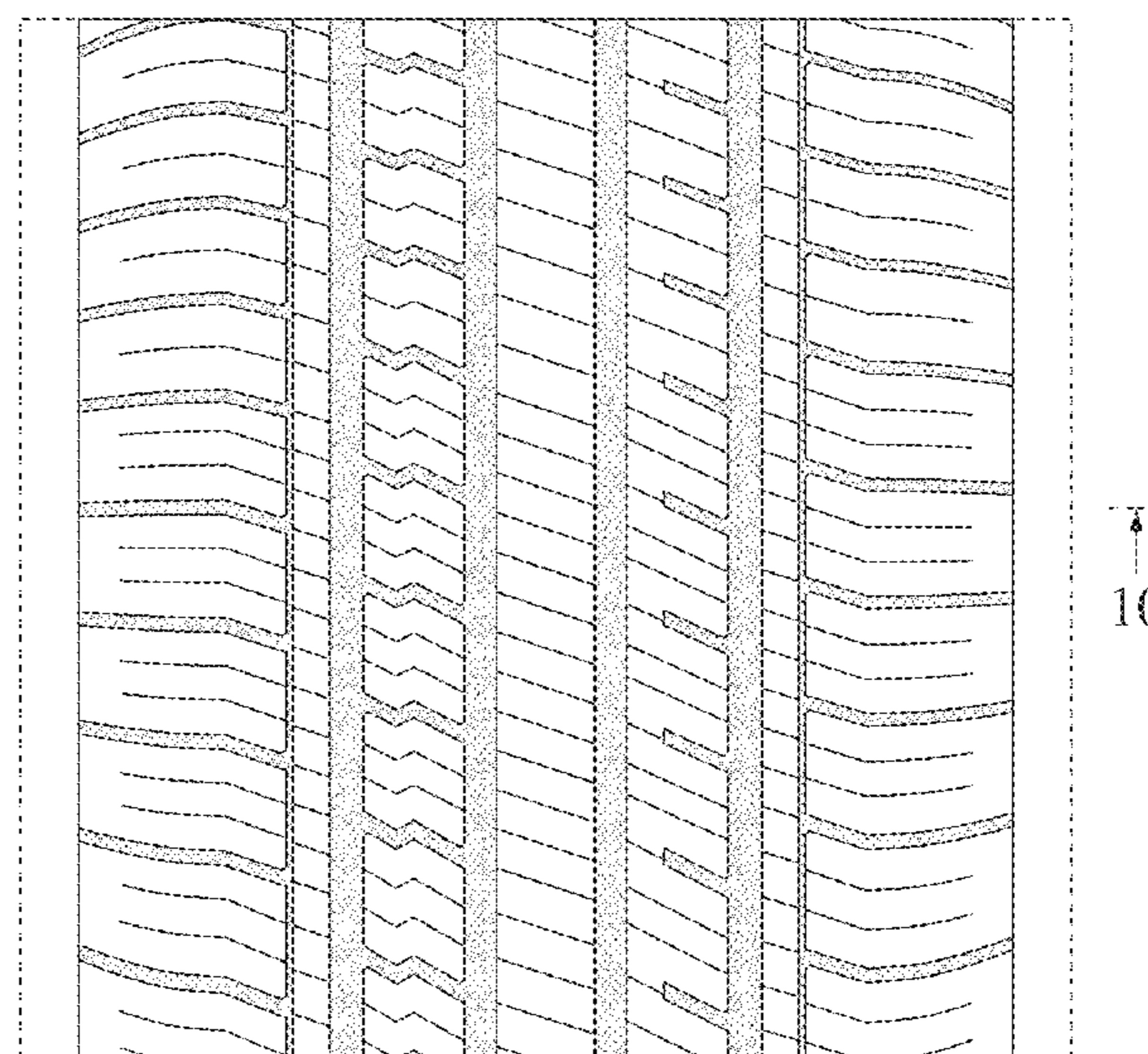
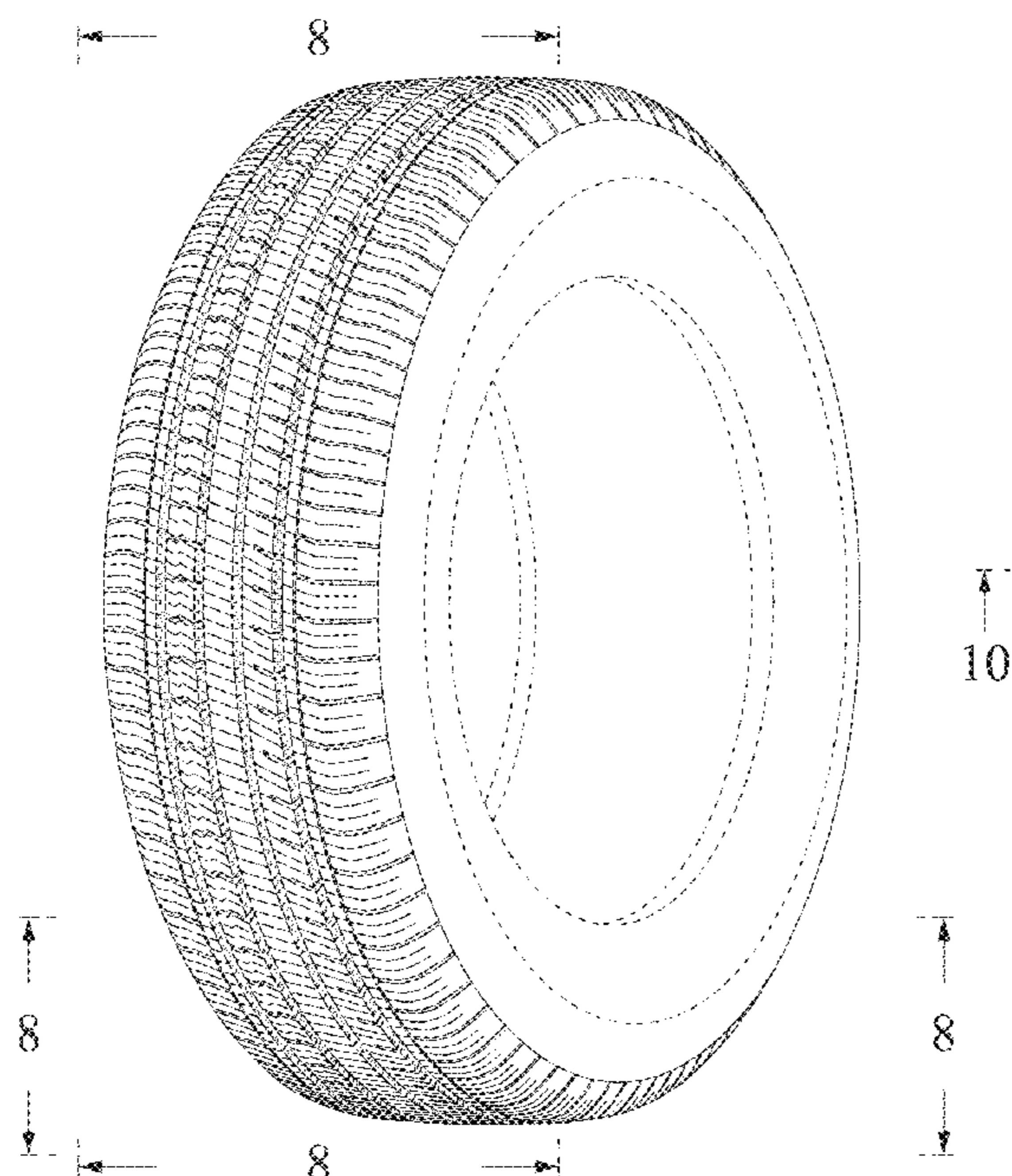


FIG. 1

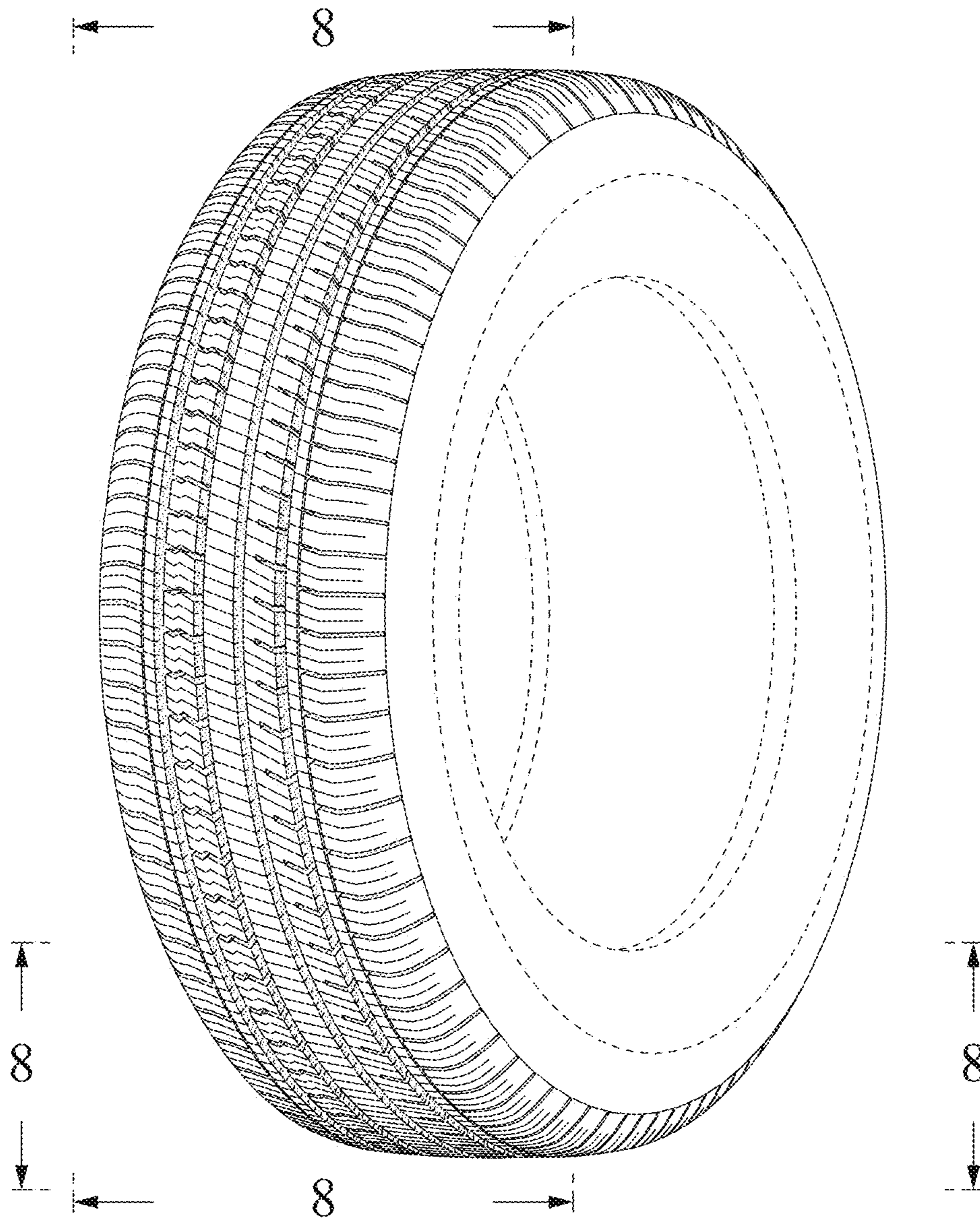


FIG. 2

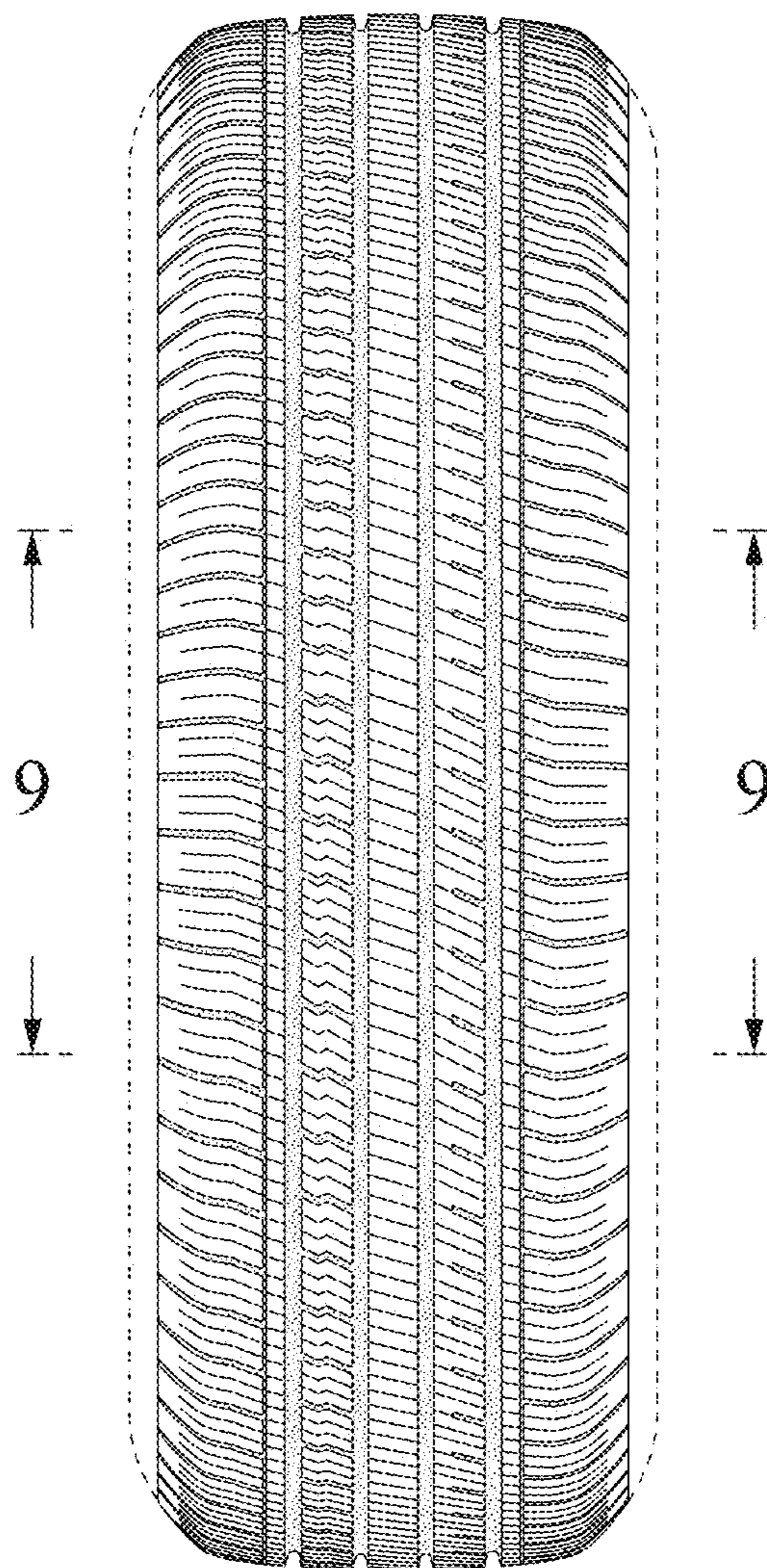


FIG. 3

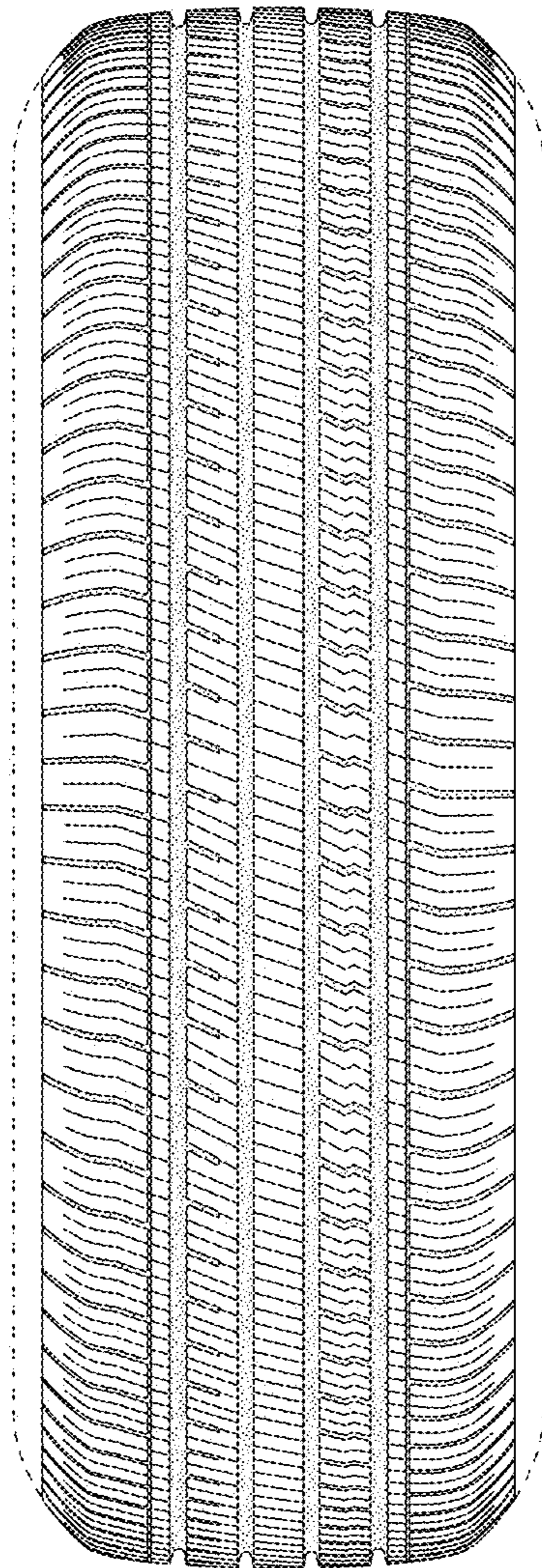


FIG. 4

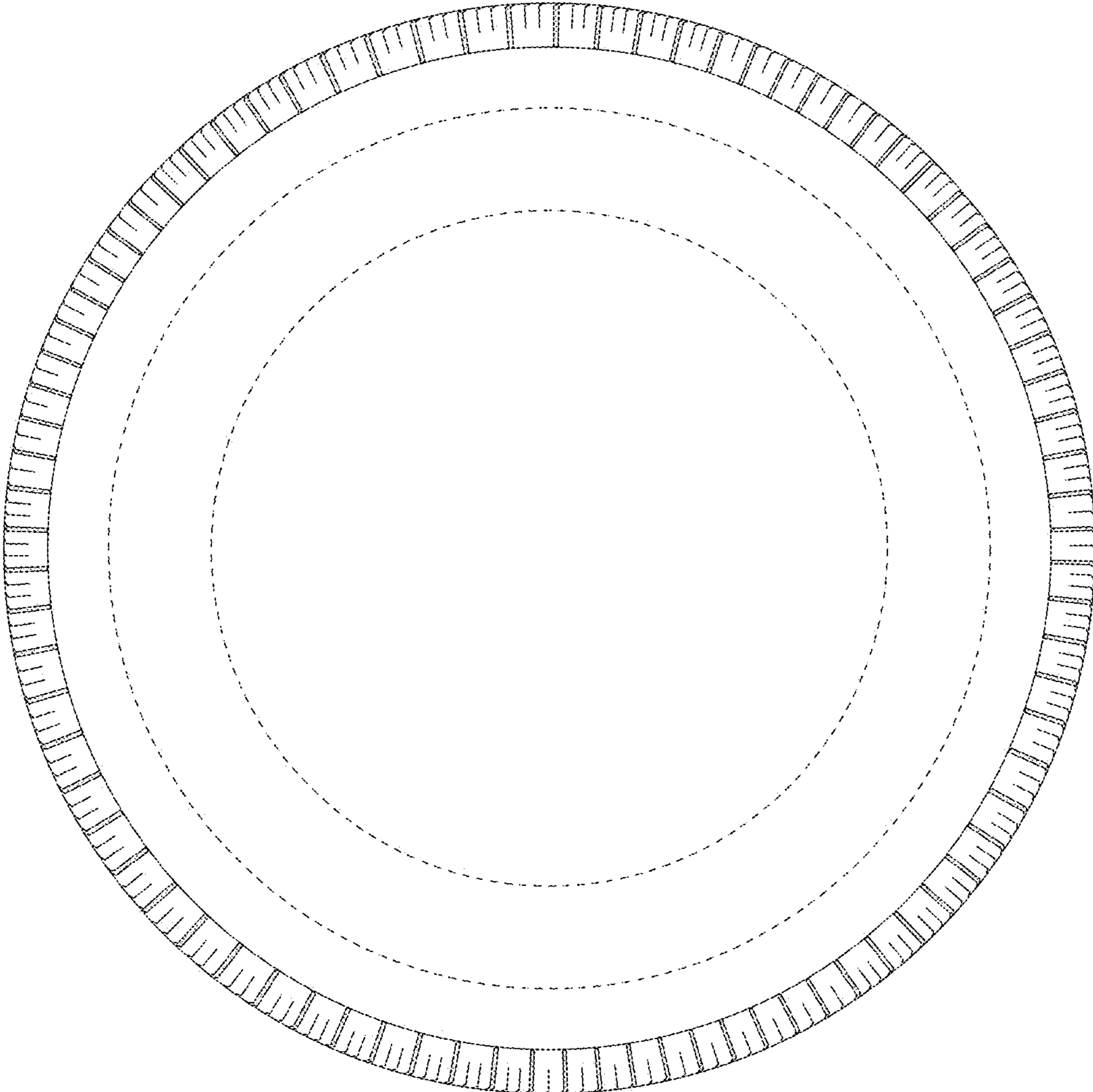


FIG. 5

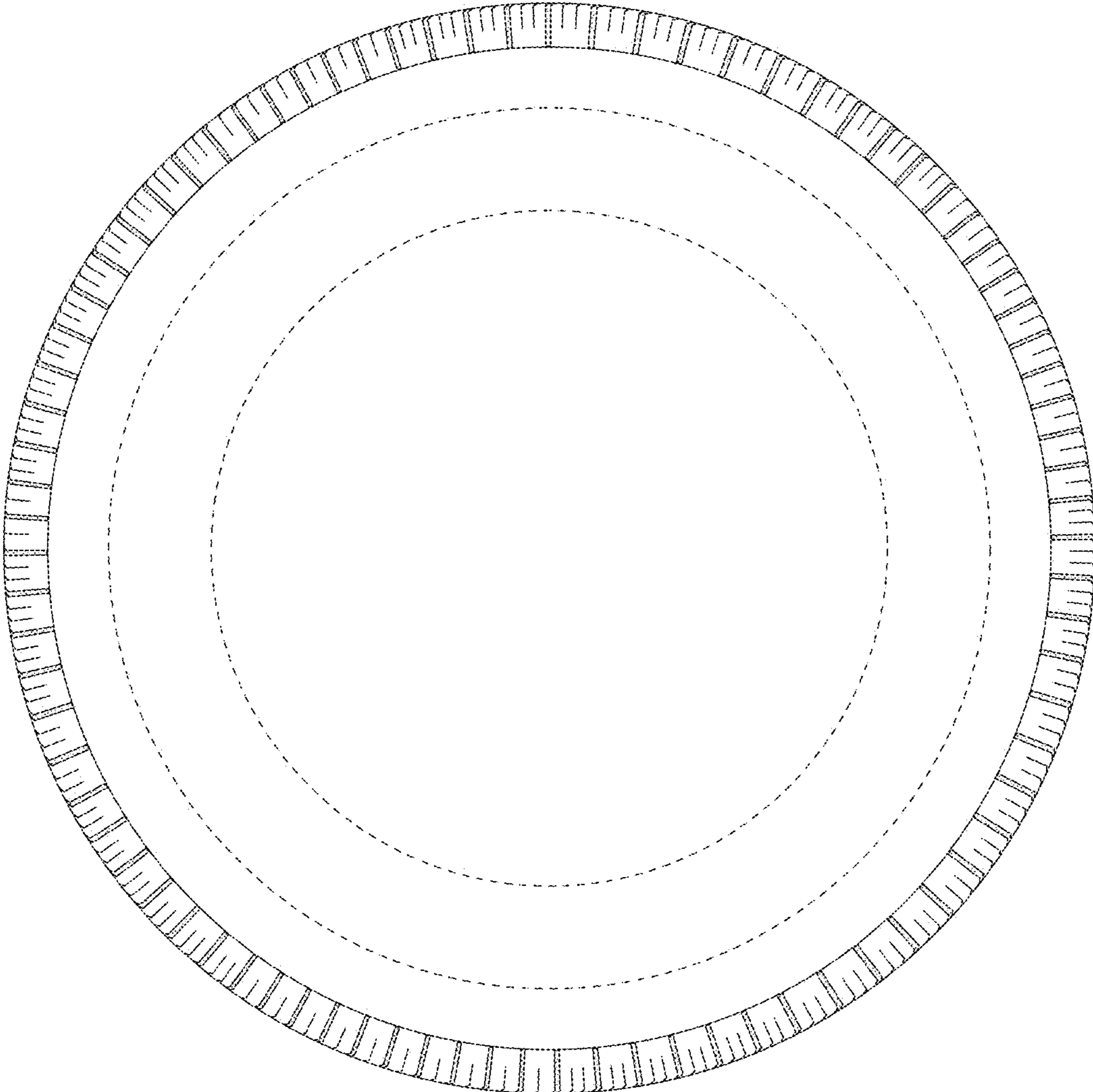


FIG. 6

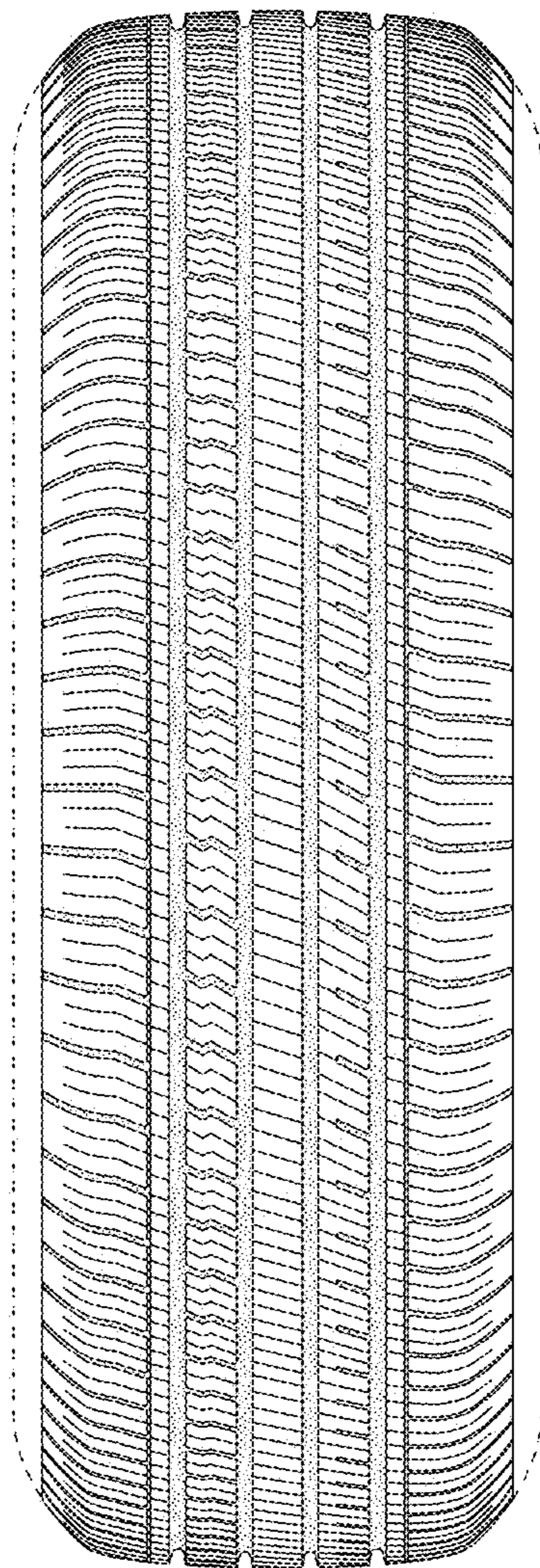


FIG. 7

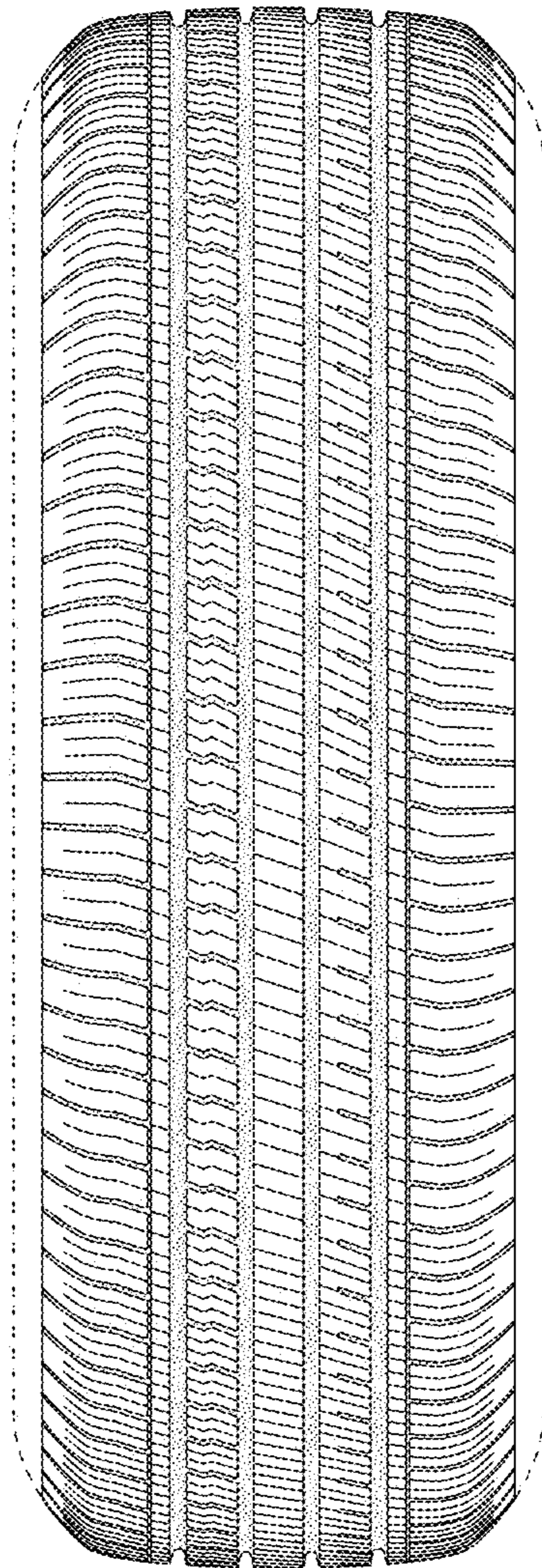


FIG. 8

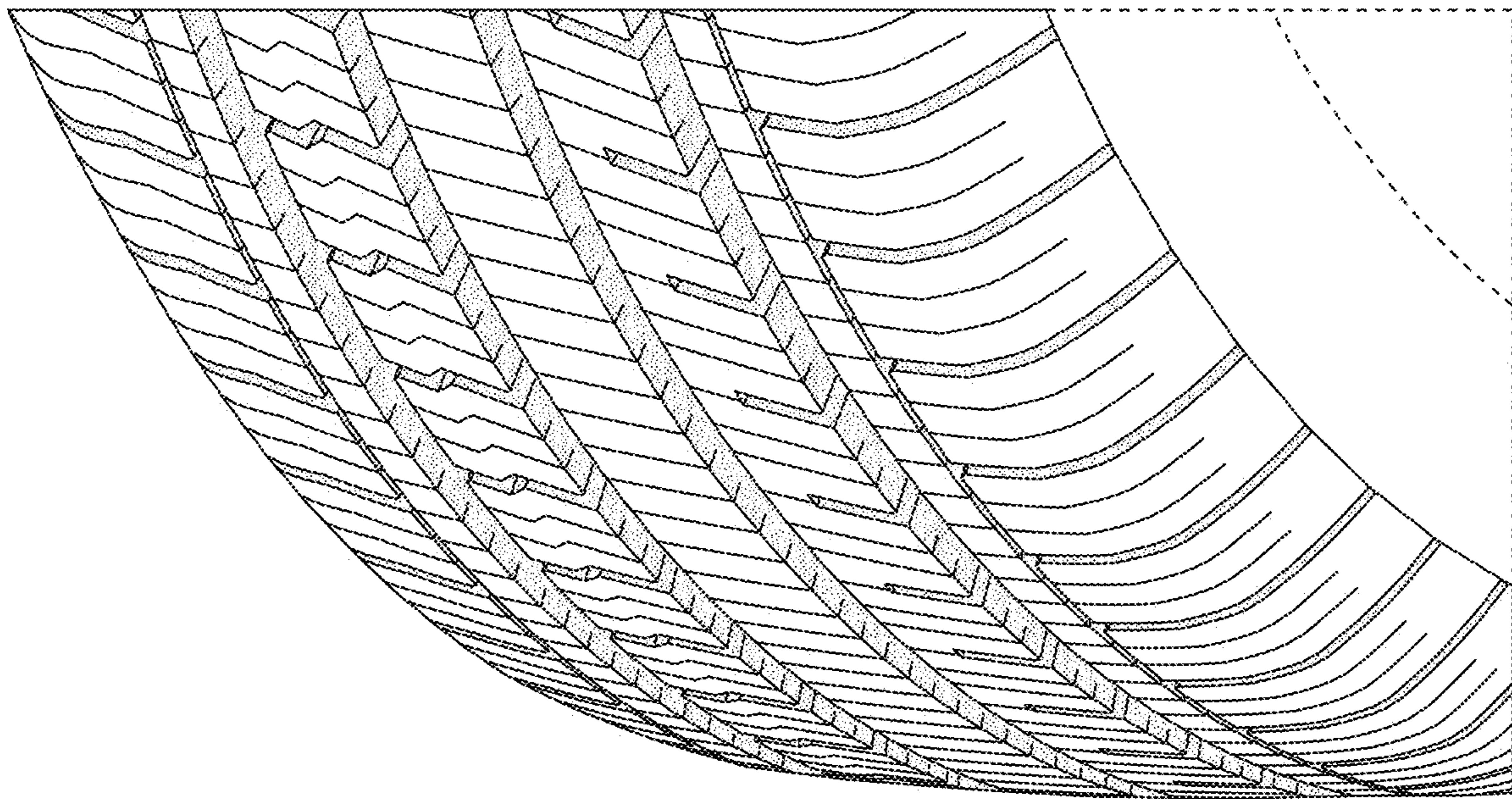


FIG. 9

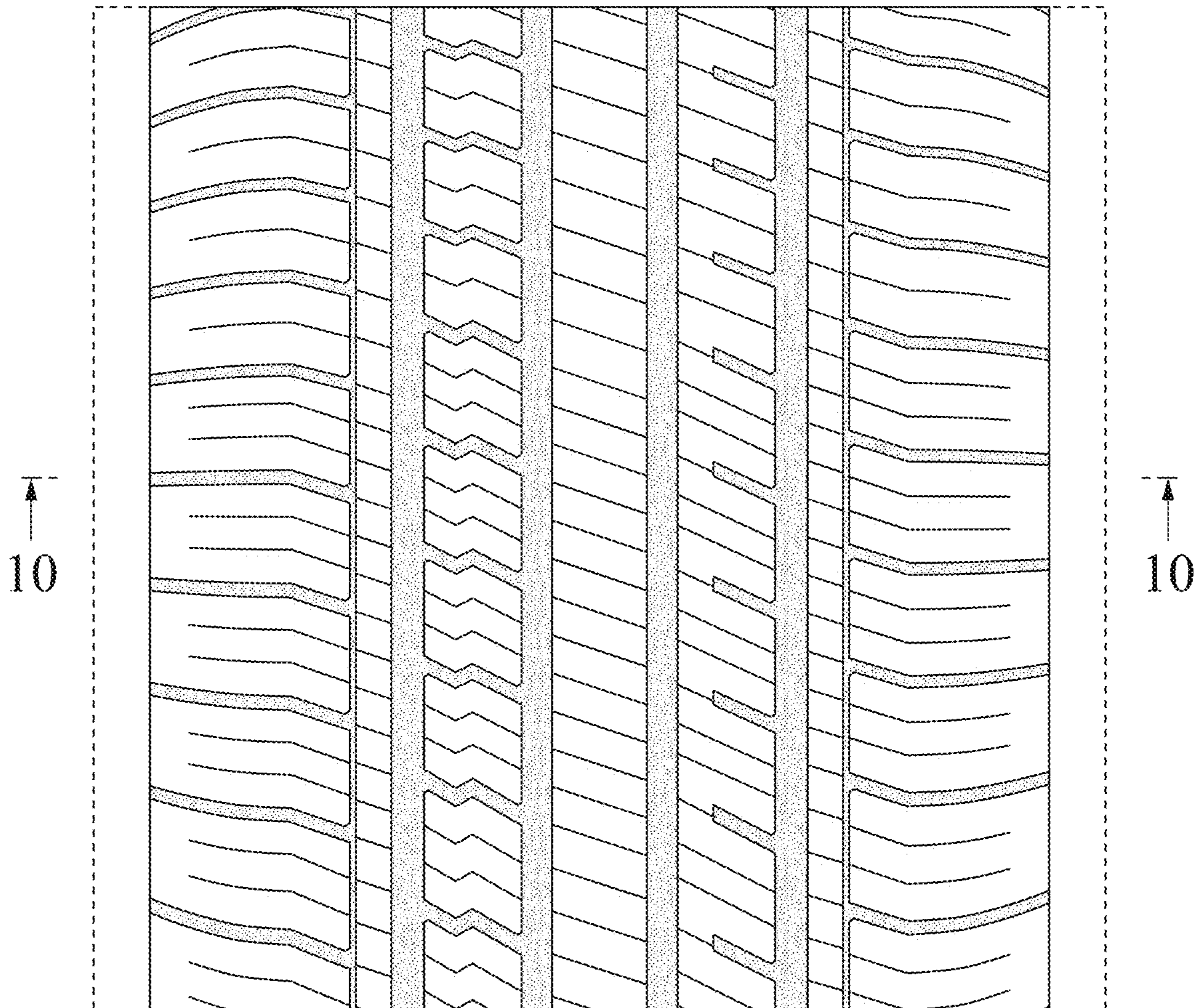


FIG. 10

