



US00D945949S

(12) **United States Design Patent** (10) **Patent No.:** **US D945,949 S**  
**Yu** (45) **Date of Patent:** **\*\* Mar. 15, 2022**

(54) **COMBINED CUP COOLER AND CUP HOLDER**

(71) Applicant: **XIAMEN RAFFLE SYSTEMS SMART TECHNOLOGY CO., LTD.**,  
Xiamen (CN)

(72) Inventor: **Shao Jian Yu**, Xiamen (CN)

(73) Assignee: **XIAMEN RAFFLE SYSTEMS SMART TECHNOLOGY CO., LTD.**,  
Xiamen (CN)

(\*\*) Term: **15 Years**

(21) Appl. No.: **29/777,051**

(22) Filed: **Apr. 2, 2021**

(30) **Foreign Application Priority Data**

Mar. 29, 2021 (CN) ..... 202130172216.7

(51) **LOC (13) Cl.** ..... **12-16**

(52) **U.S. Cl.**  
USPC ..... **D12/419**; D7/624.2

(58) **Field of Classification Search**  
USPC ..... D7/605, 608, 619.1, 624.2  
CPC ..... A47G 23/0216; A47G 23/0266; A47G  
2023/0275; A47G 2023/0283; B60R 7/04;  
B60R 7/06; B60R 7/08; B60N 3/10;  
B60N 3/103; B60N 3/104; B60N 3/105;  
B60N 3/16; B60N 3/18

See application file for complete search history.

(56) **References Cited**

U.S. PATENT DOCUMENTS

D400,763 S \* 11/1998 Taylor ..... D7/619.1  
D478,783 S 8/2003 Zeilinger  
D826,658 S 8/2018 Bergin  
2016/0018138 A1\* 1/2016 Liptak ..... F25B 21/04  
62/3.3  
2017/0108269 A1\* 4/2017 Shin ..... F25B 21/04

\* cited by examiner

*Primary Examiner* — Terry A Wallace

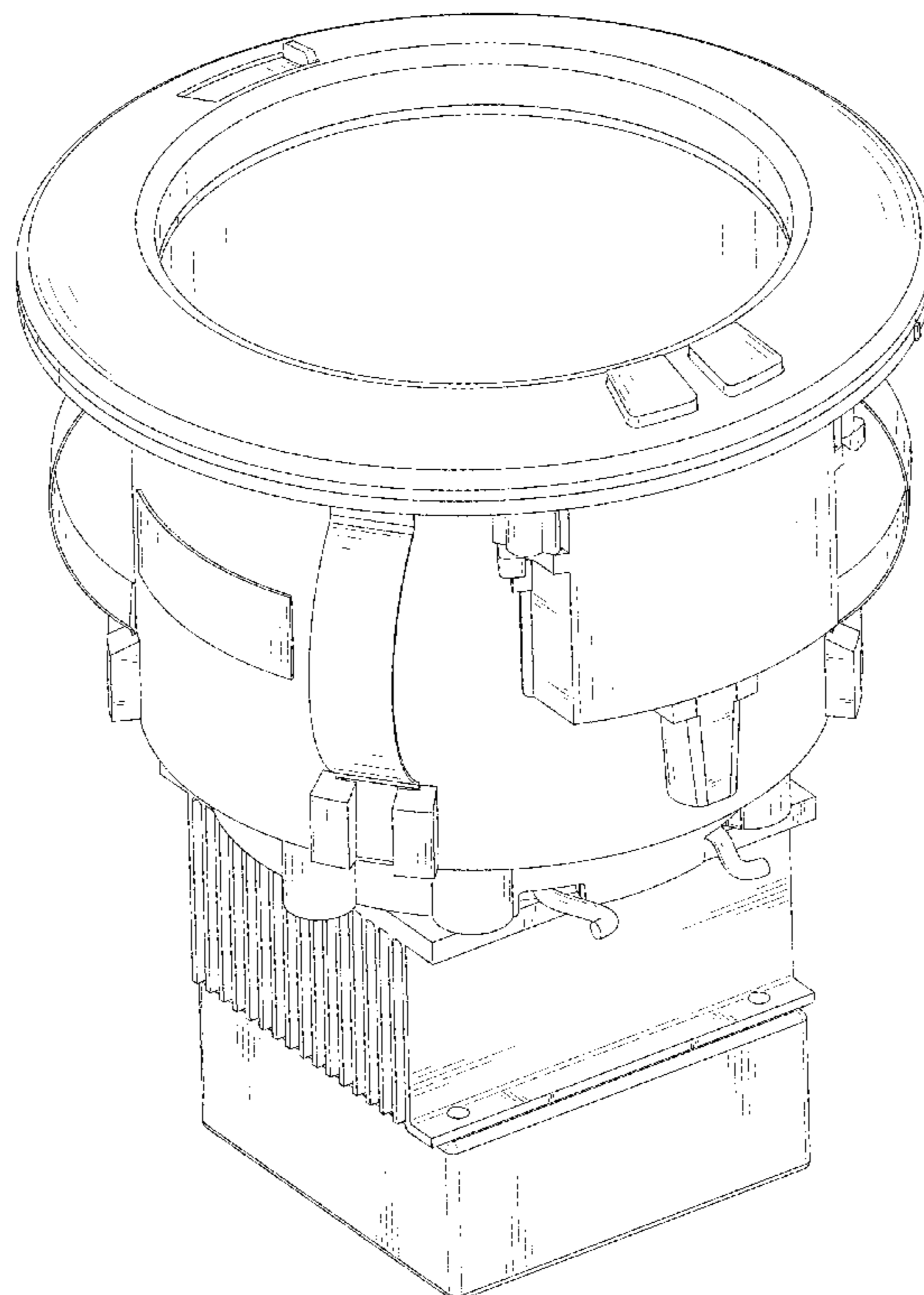
(57) **CLAIM**

The ornamental design for a combined cup cooler and cup holder, as shown and described.

**DESCRIPTION**

FIG. 1 is a perspective view of a combined cup cooler and cup holder showing my new design;  
FIG. 2 is another perspective view thereof;  
FIG. 3 is a front elevational view thereof;  
FIG. 4 is a rear elevational view thereof;  
FIG. 5 is a left side elevational view thereof;  
FIG. 6 is a right side elevational view thereof;  
FIG. 7 is a top plan view thereof;  
FIG. 8 is a bottom plan view thereof; and,  
FIG. 9 is a perspective view of the combined cup cooler and cup holder where the combined cup cooler and cup holder is in a configuration of use.  
The broken lines in the drawings depict portions of the combined cup cooler and cup holder that form no part of the claimed design.

**1 Claim, 9 Drawing Sheets**



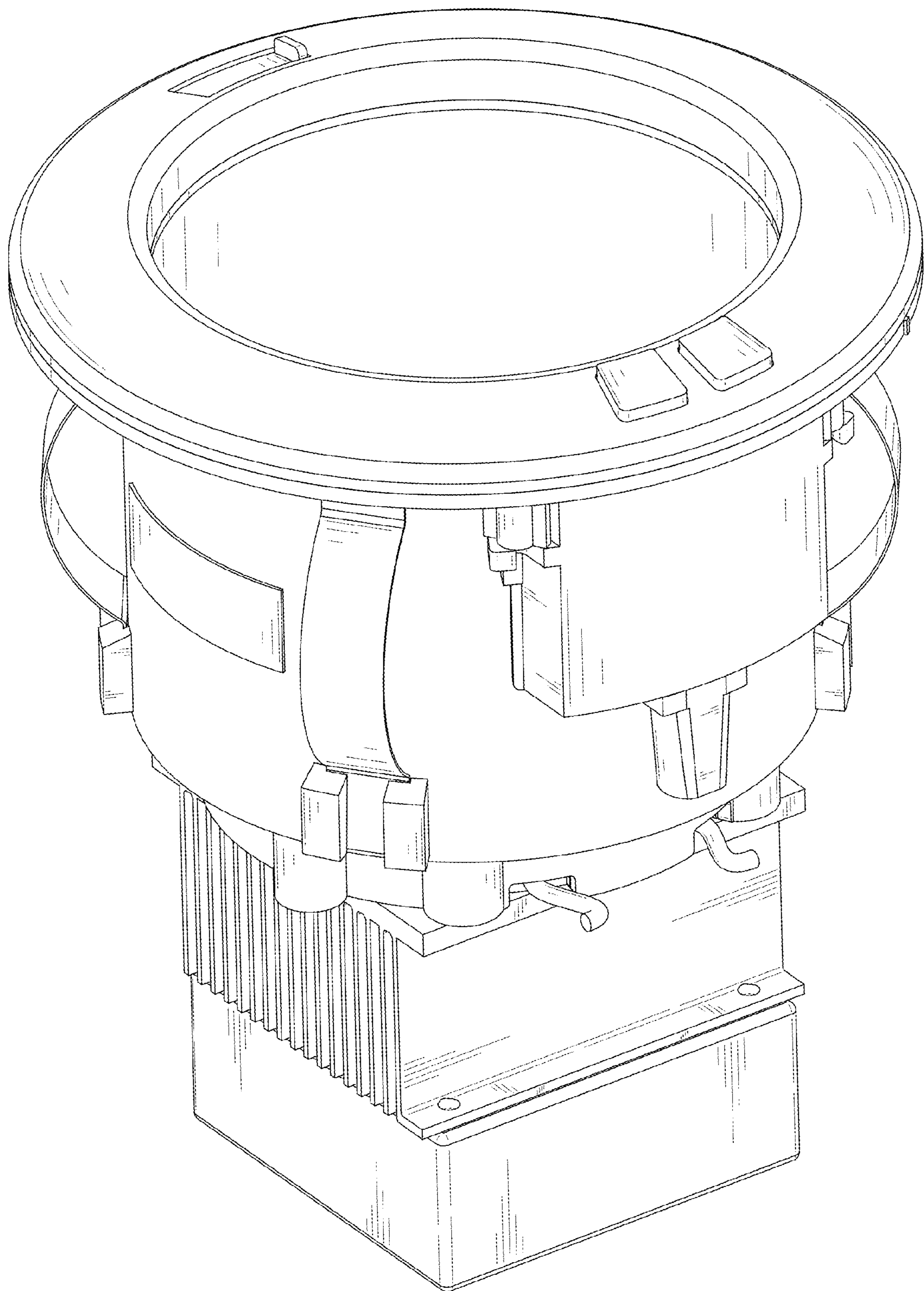


FIG. 1

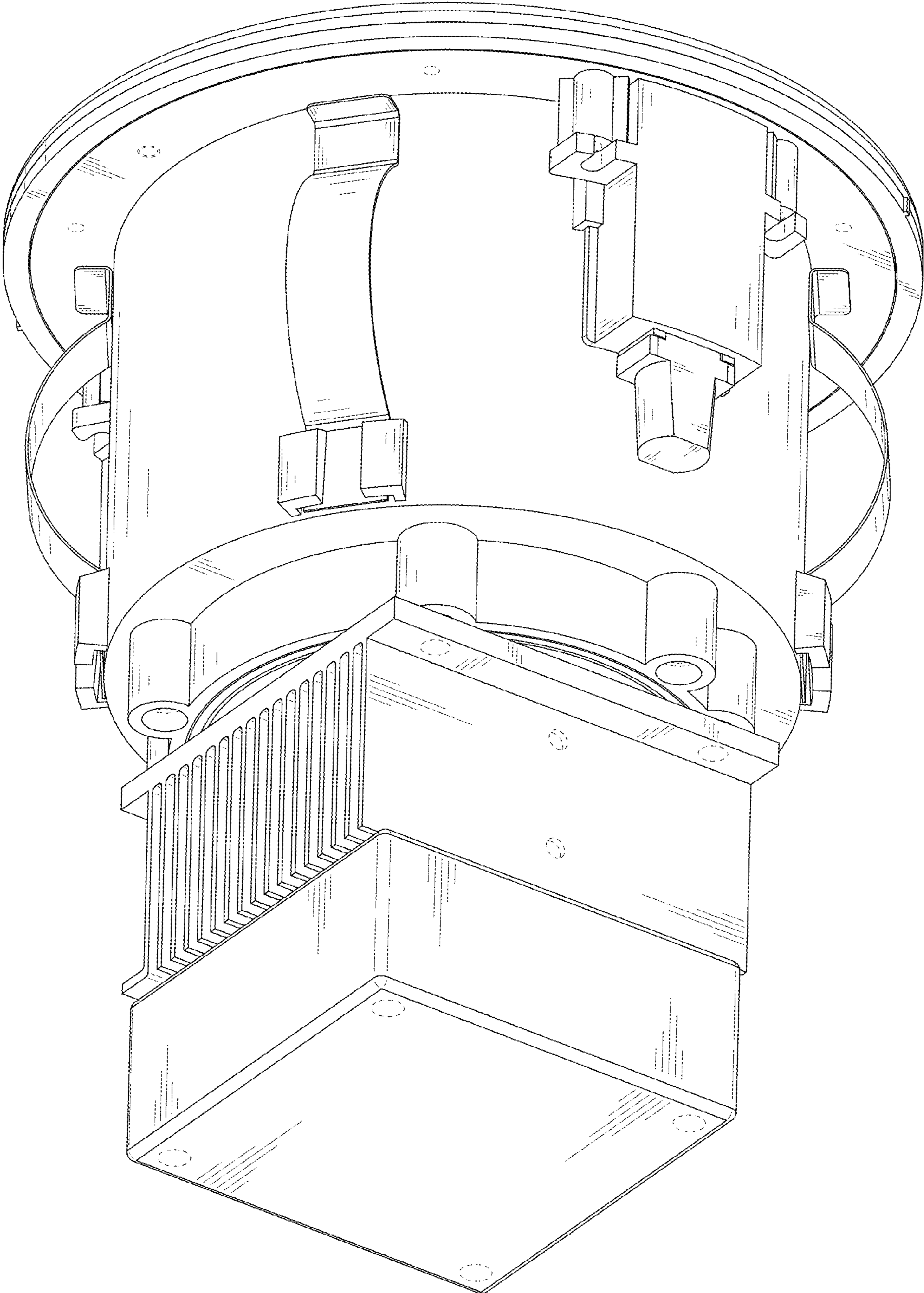


FIG. 2

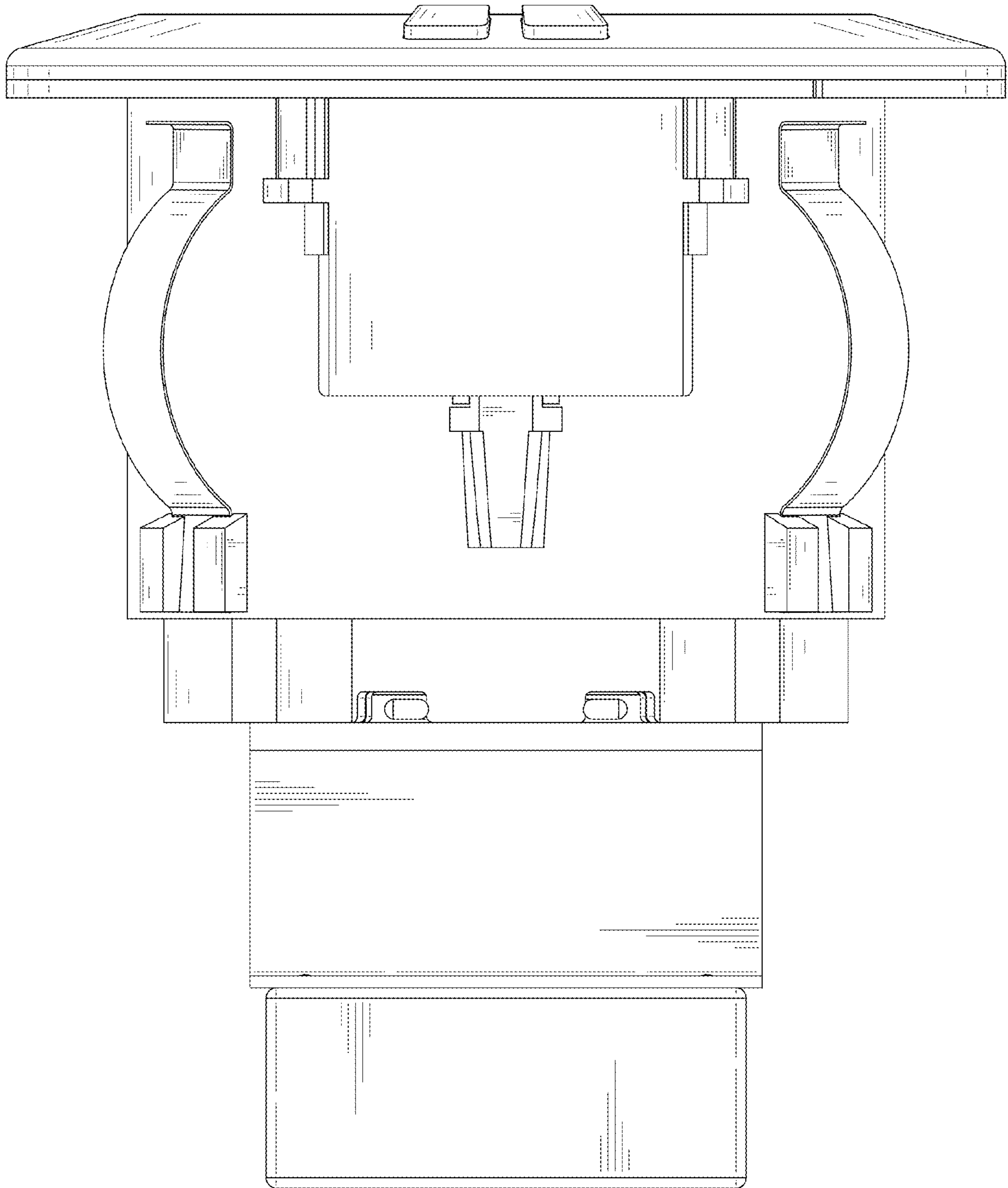


FIG. 3

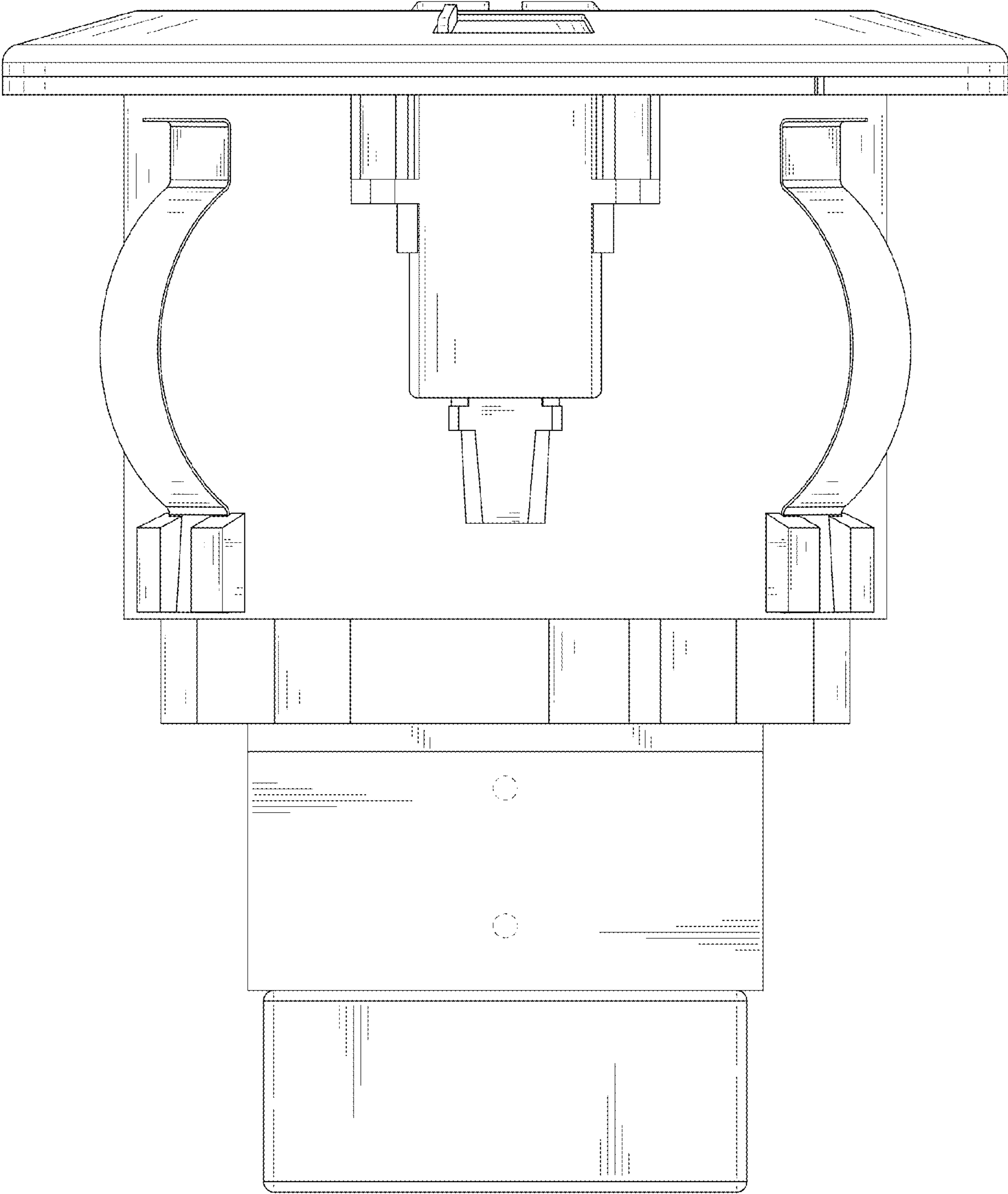


FIG. 4

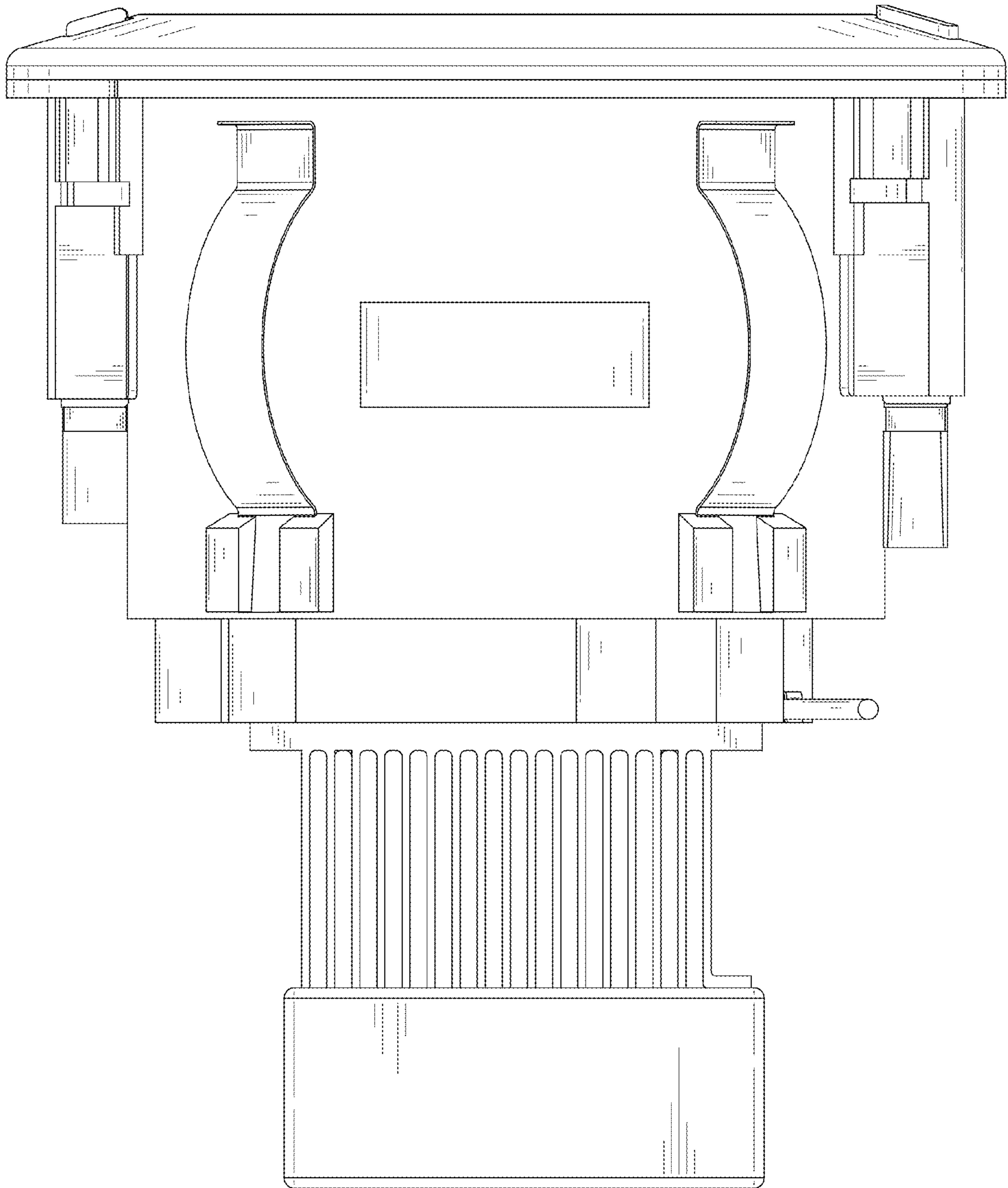


FIG. 5

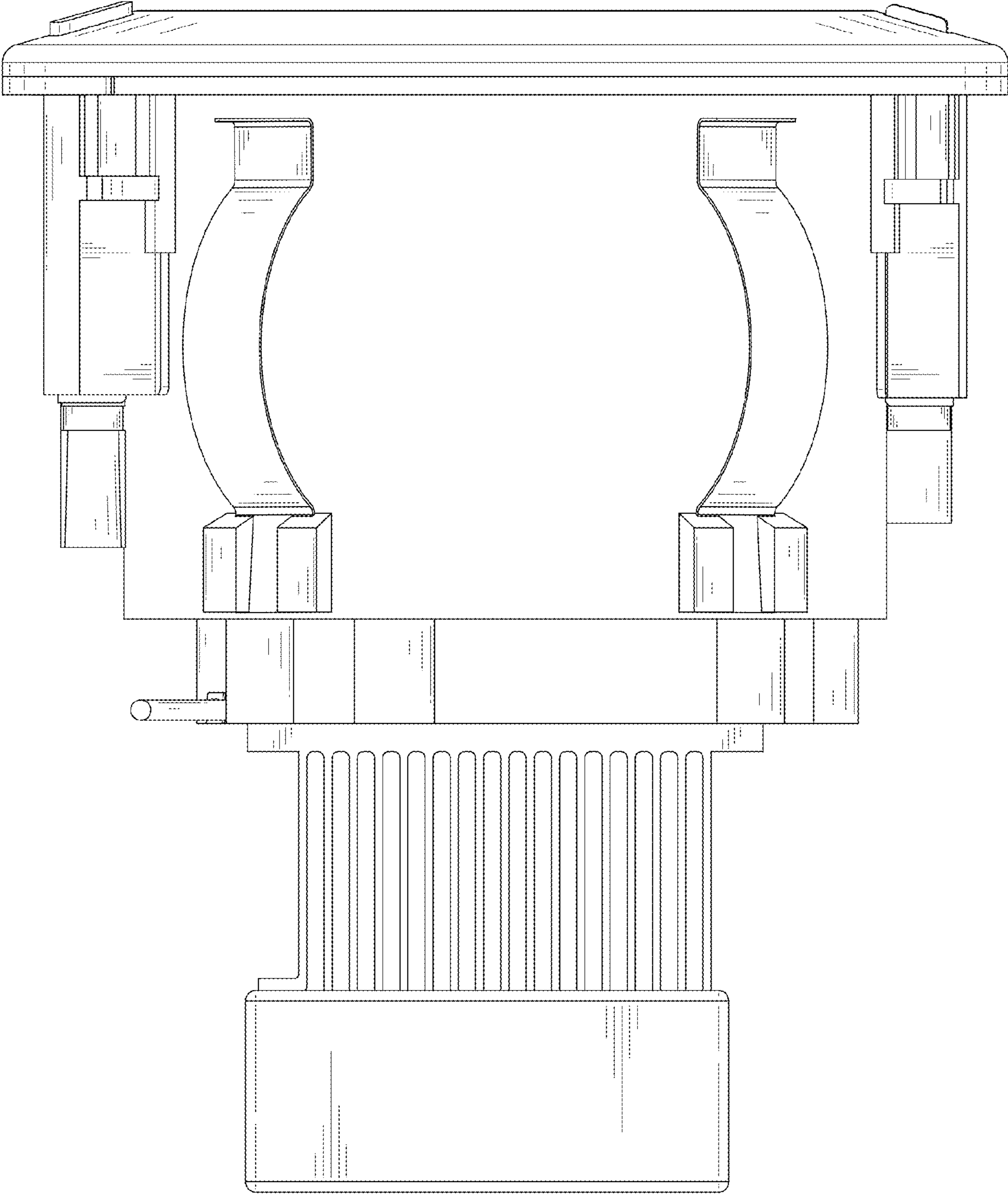


FIG. 6

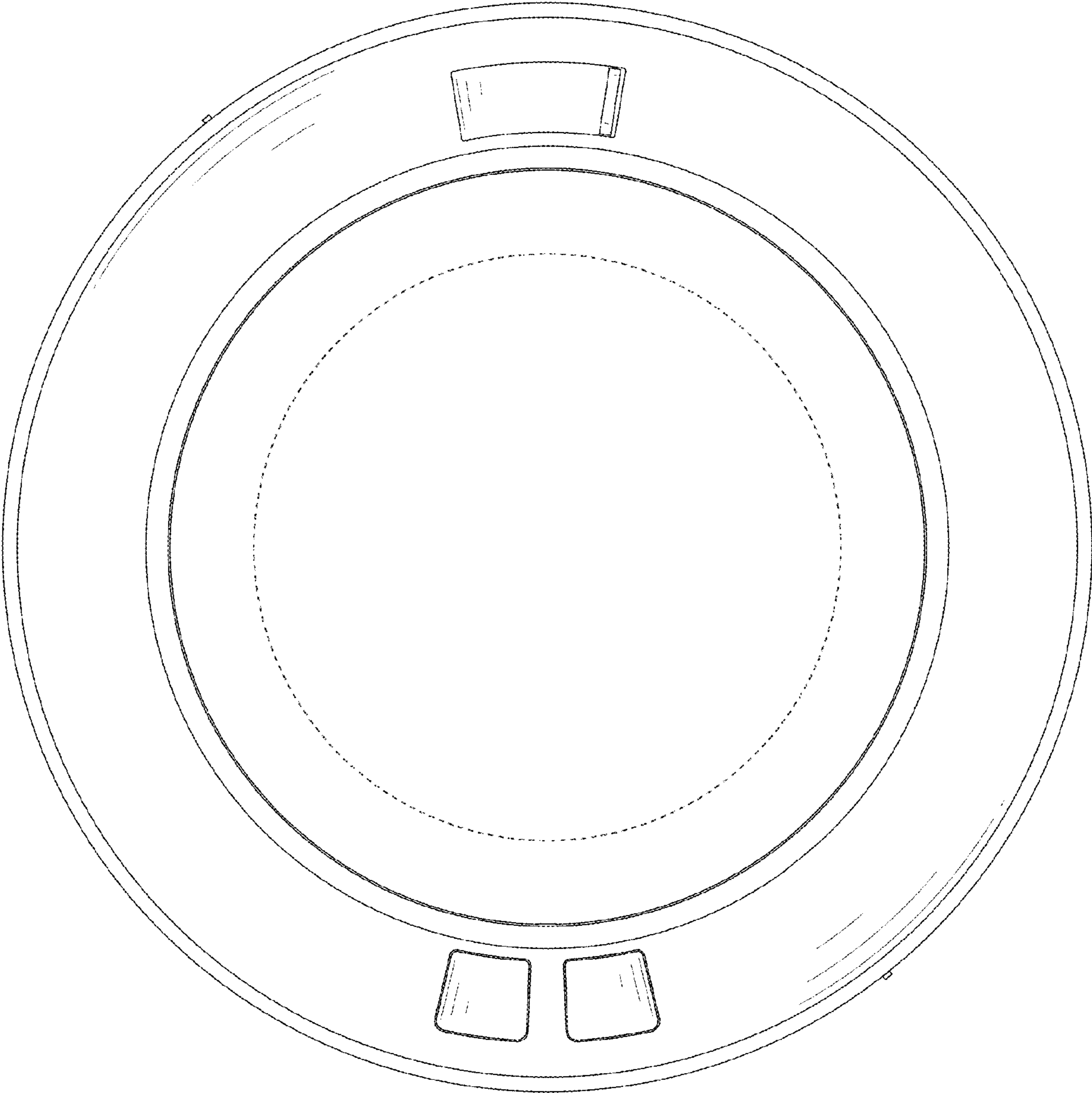


FIG. 7



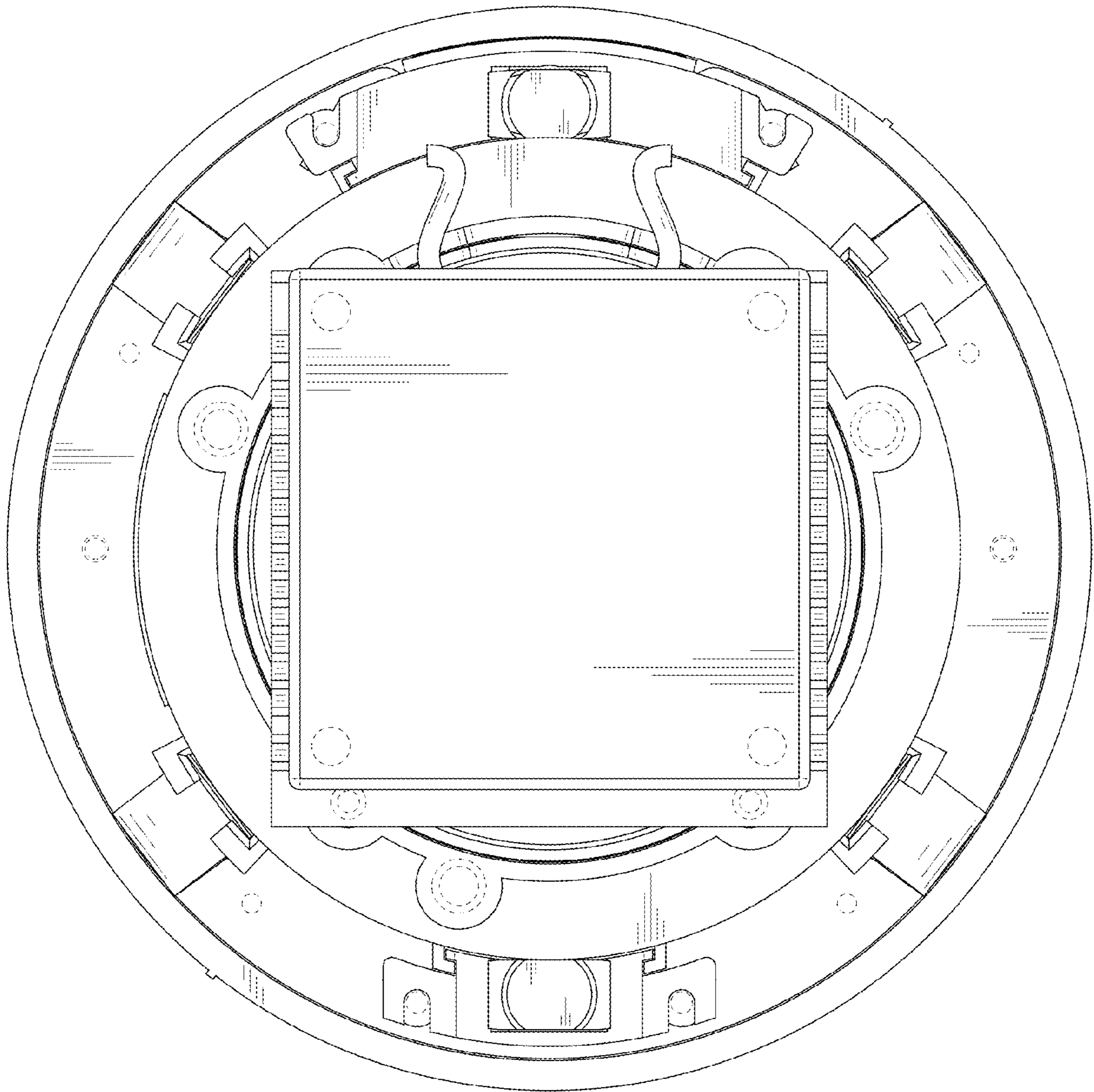


FIG. 8

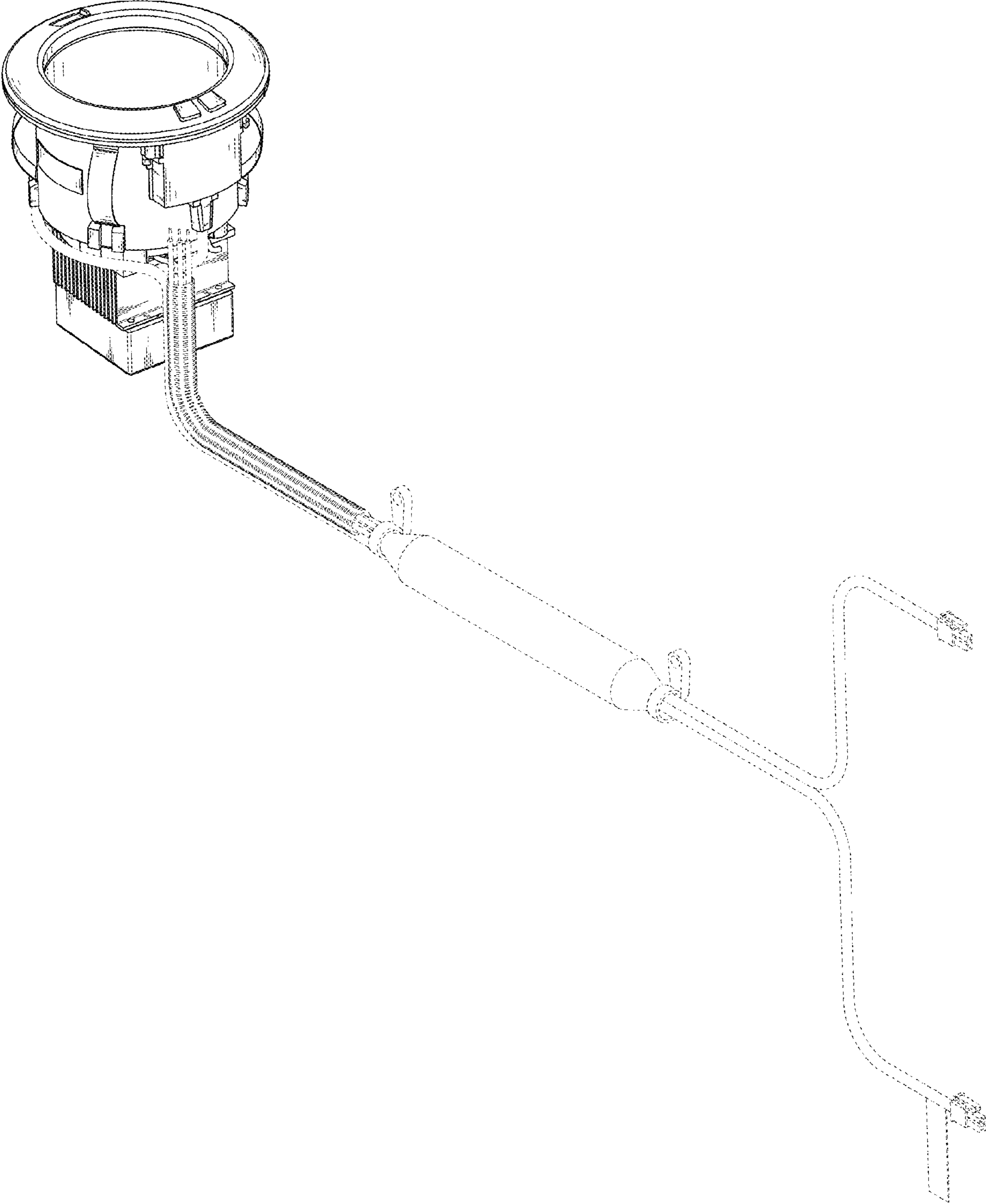


FIG. 9