

US00D945948S

(12) **United States Design Patent**  
**Yu**

(10) **Patent No.:** **US D945,948 S**  
(45) **Date of Patent:** **\*\* Mar. 15, 2022**

(54) **CUP TRAY**

*Primary Examiner* — Katrina A Betton

(71) Applicant: **XIAMEN RAFFLE SYSTEMS  
SMART TECHNOLOGY CO., LTD.,**  
Xiamen (CN)

(57) **CLAIM**

The ornamental design for a cup tray, as shown and described.

(72) Inventor: **Shao Jian Yu**, Xiamen (CN)

**DESCRIPTION**

(73) Assignee: **XIAMEN RAFFLE SYSTEMS  
SMART TECHNOLOGY CO., LTD.,**  
Xiamen (CN)

(\*\*) Term: **15 Years**

(21) Appl. No.: **29/771,730**

(22) Filed: **Feb. 25, 2021**

(30) **Foreign Application Priority Data**

Feb. 2, 2021 (CN) ..... 202130076222.2

(51) **LOC (13) Cl.** ..... **12-16**

(52) **U.S. Cl.**  
USPC ..... **D12/419**

(58) **Field of Classification Search**  
USPC ..... D12/415, 419; D6/620  
CPC .. B60R 7/08; B60Q 3/225; B60Q 3/64; B60N  
3/10  
See application file for complete search history.

FIG. 1 is a perspective view of a first embodiment of a cup tray showing my new design;  
FIG. 2 is another perspective view thereof;  
FIG. 3 is another perspective view thereof;  
FIG. 4 is a front elevational view thereof;  
FIG. 5 is a rear elevational view thereof;  
FIG. 6 is a left side elevational view thereof;  
FIG. 7 is a right side elevational view thereof;  
FIG. 8 is a top plan view thereof;  
FIG. 9 is a bottom plan view thereof;  
FIG. 10 is a perspective view of a second embodiment of the cup tray showing my new design;  
FIG. 11 is another perspective view thereof;  
FIG. 12 is another perspective view thereof;  
FIG. 13 is a front elevational view thereof;  
FIG. 14 is a rear elevational view thereof;  
FIG. 15 is a left side elevational view thereof;  
FIG. 16 is a right side elevational view thereof;  
FIG. 17 is a top plan view thereof;  
FIG. 18 is a bottom plan view thereof;  
FIG. 19 is a perspective view of a third embodiment of the cup tray showing my new design;  
FIG. 20 is another perspective view thereof;  
FIG. 21 is another perspective view thereof;  
FIG. 22 is a front elevational view thereof;  
FIG. 23 is a rear elevational view thereof;  
FIG. 24 is a left side elevational view thereof;  
FIG. 25 is a right side elevational view thereof;  
FIG. 26 is a top plan view thereof; and,  
FIG. 27 is a bottom plan view thereof.  
The broken lines in the drawings depict portions of the cup tray that form no part of the claimed design.

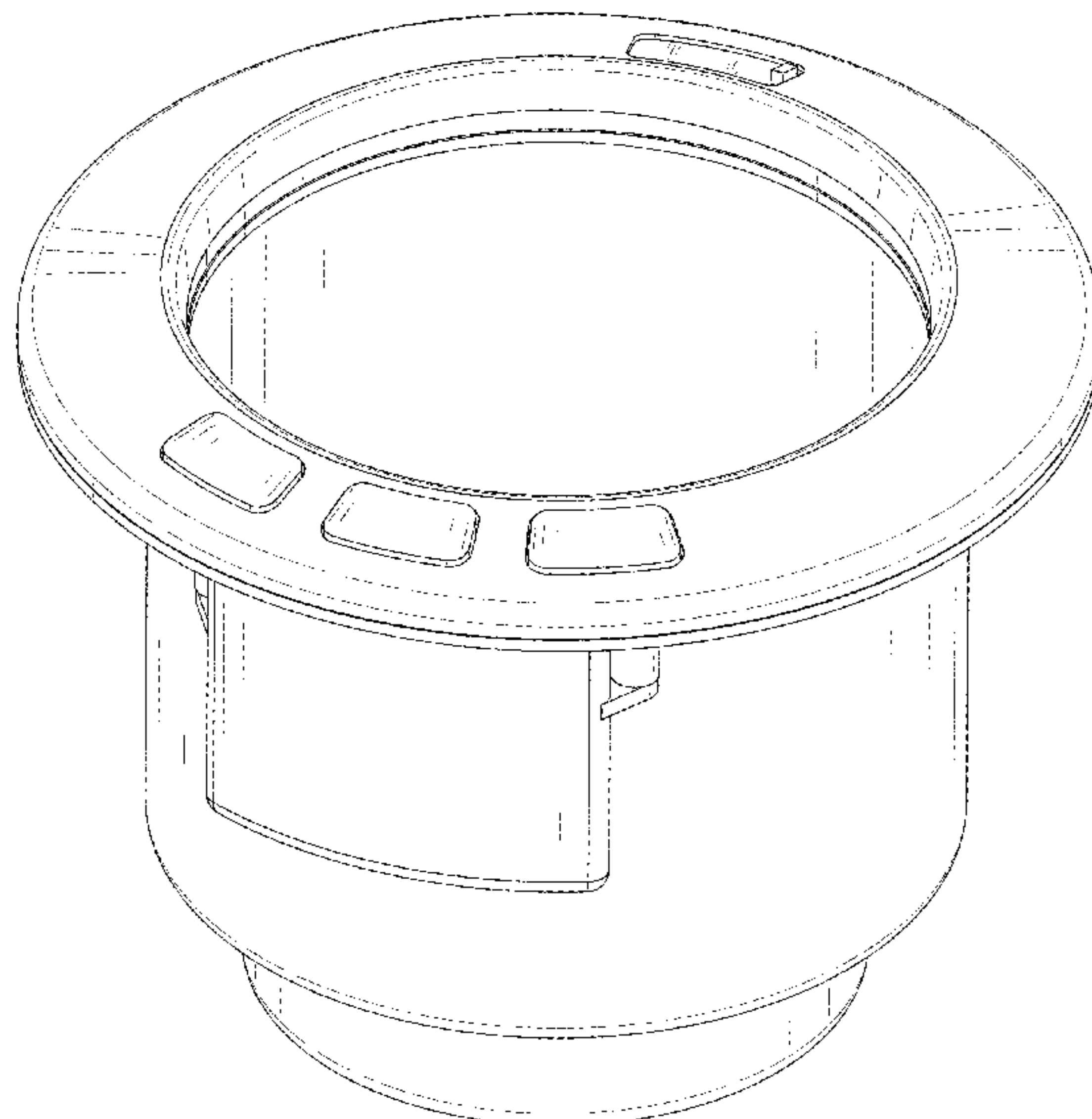
(56) **References Cited**

**U.S. PATENT DOCUMENTS**

D472,871 S \* 4/2003 Ramos ..... D12/419  
D655,136 S 3/2012 Goodman  
D675,882 S \* 2/2013 Crockett ..... D7/619.1  
D735,636 S \* 8/2015 Wragg ..... D12/419  
D809,998 S \* 2/2018 Dabel ..... B60R 11/00  
D12/419  
D848,932 S \* 5/2019 Henderson ..... D12/419  
D849,485 S 5/2019 Allen et al.  
D906,229 S \* 12/2020 Han ..... D12/419

(Continued)

**1 Claim, 27 Drawing Sheets**



(56)

**References Cited**

U.S. PATENT DOCUMENTS

D917,375	S *	4/2021	Cavallo .....	B60N 3/105 D12/419
D919,552	S *	5/2021	Jeon .....	D12/419
D925,300	S *	7/2021	Chong .....	D7/620
2016/0255805	A1 *	9/2016	Jones .....	A01K 5/0114
2018/0009356	A1 *	1/2018	Liebowitz .....	B60N 3/002
2021/0029893	A1 *	2/2021	Cooley .....	A01G 9/0295

\* cited by examiner

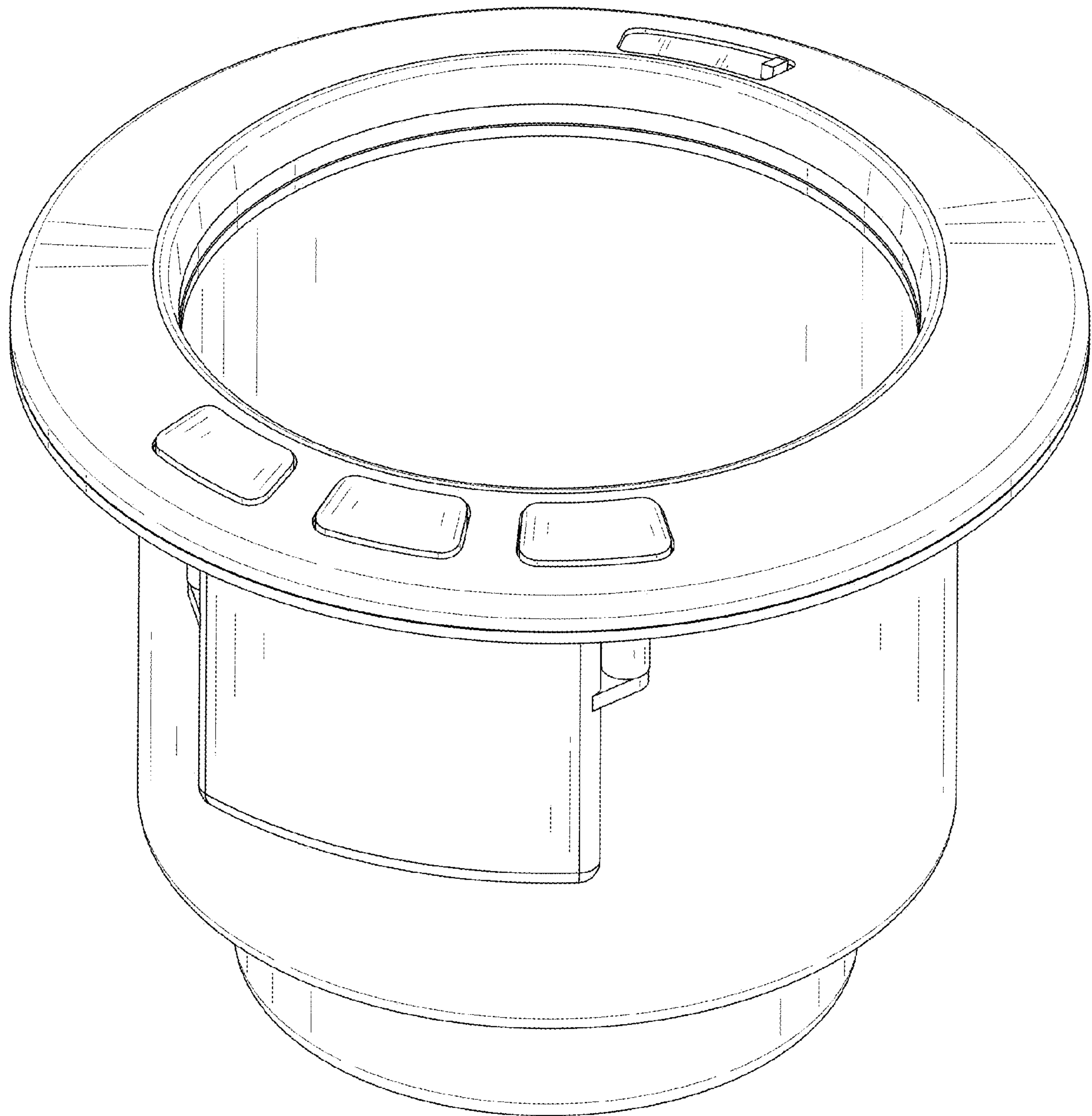


FIG. 1

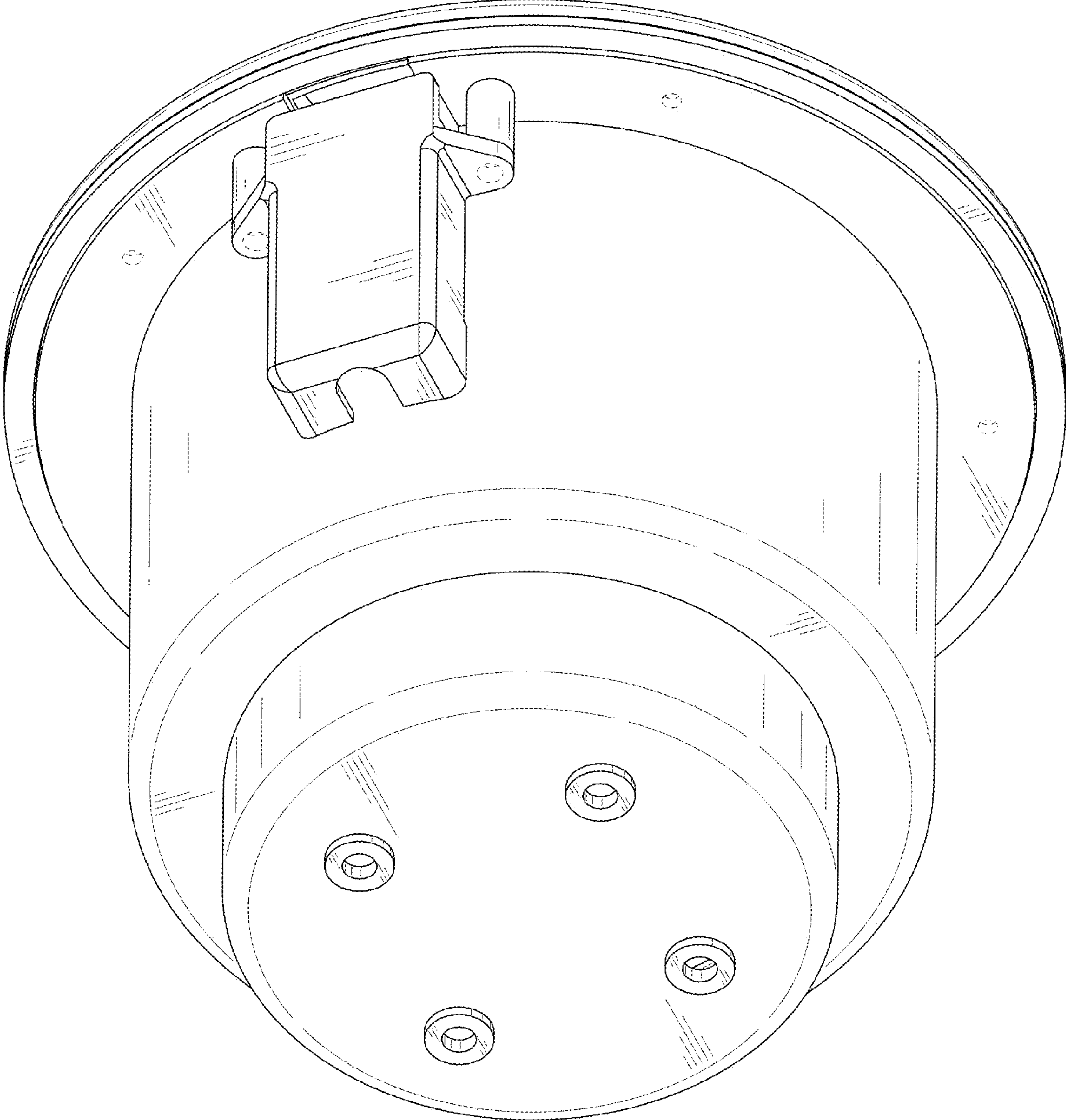


FIG. 2



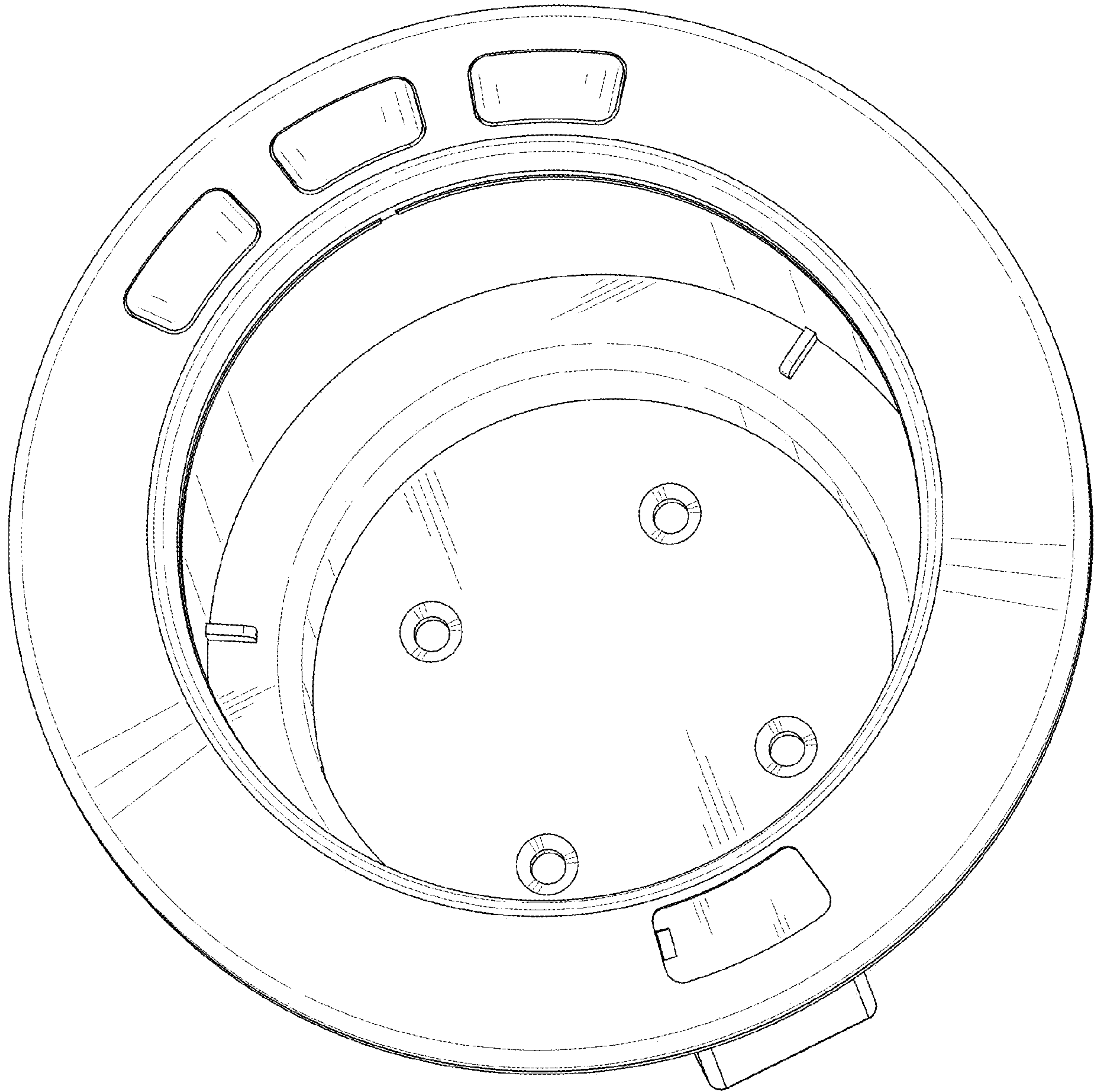


FIG. 3

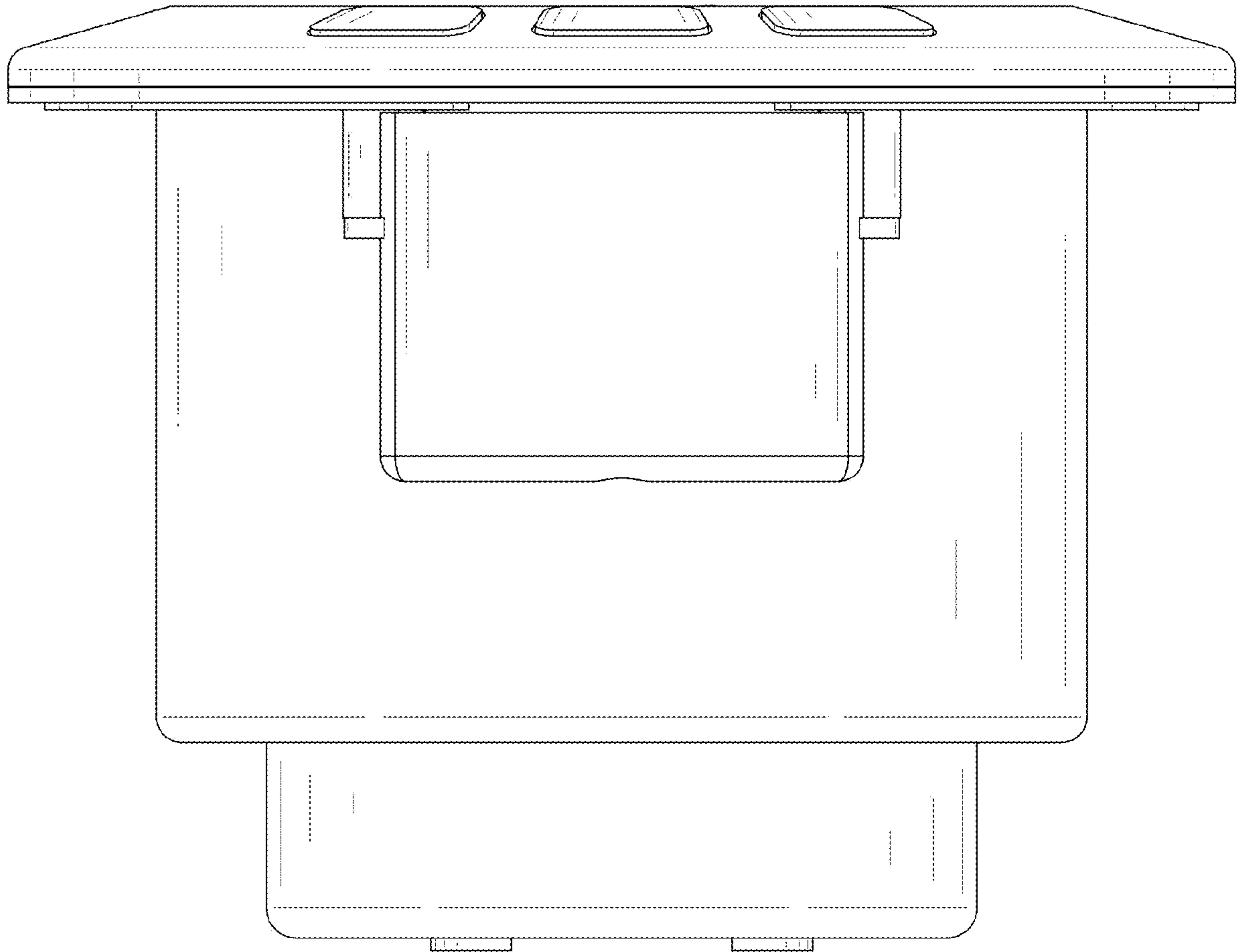


FIG. 4

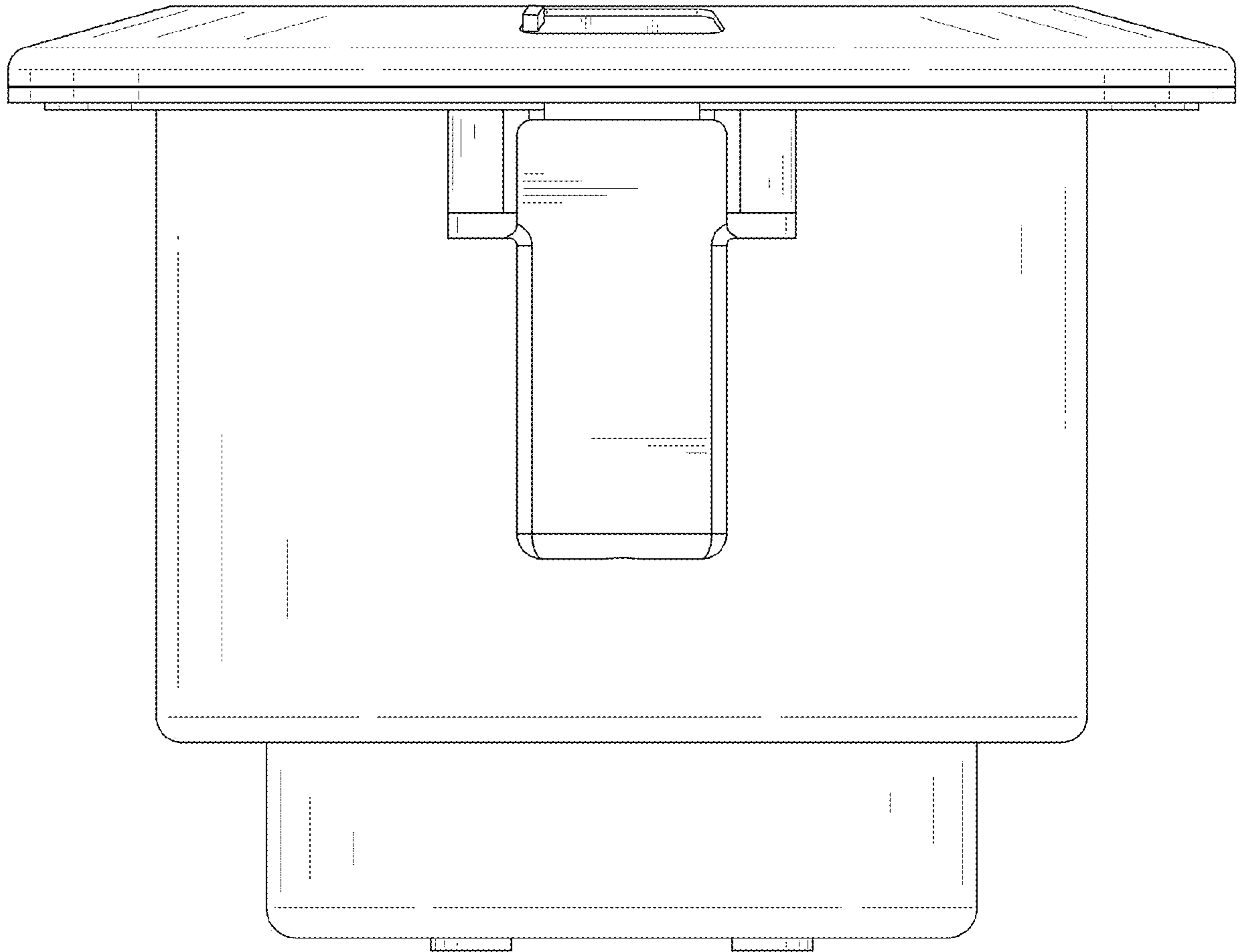


FIG. 5

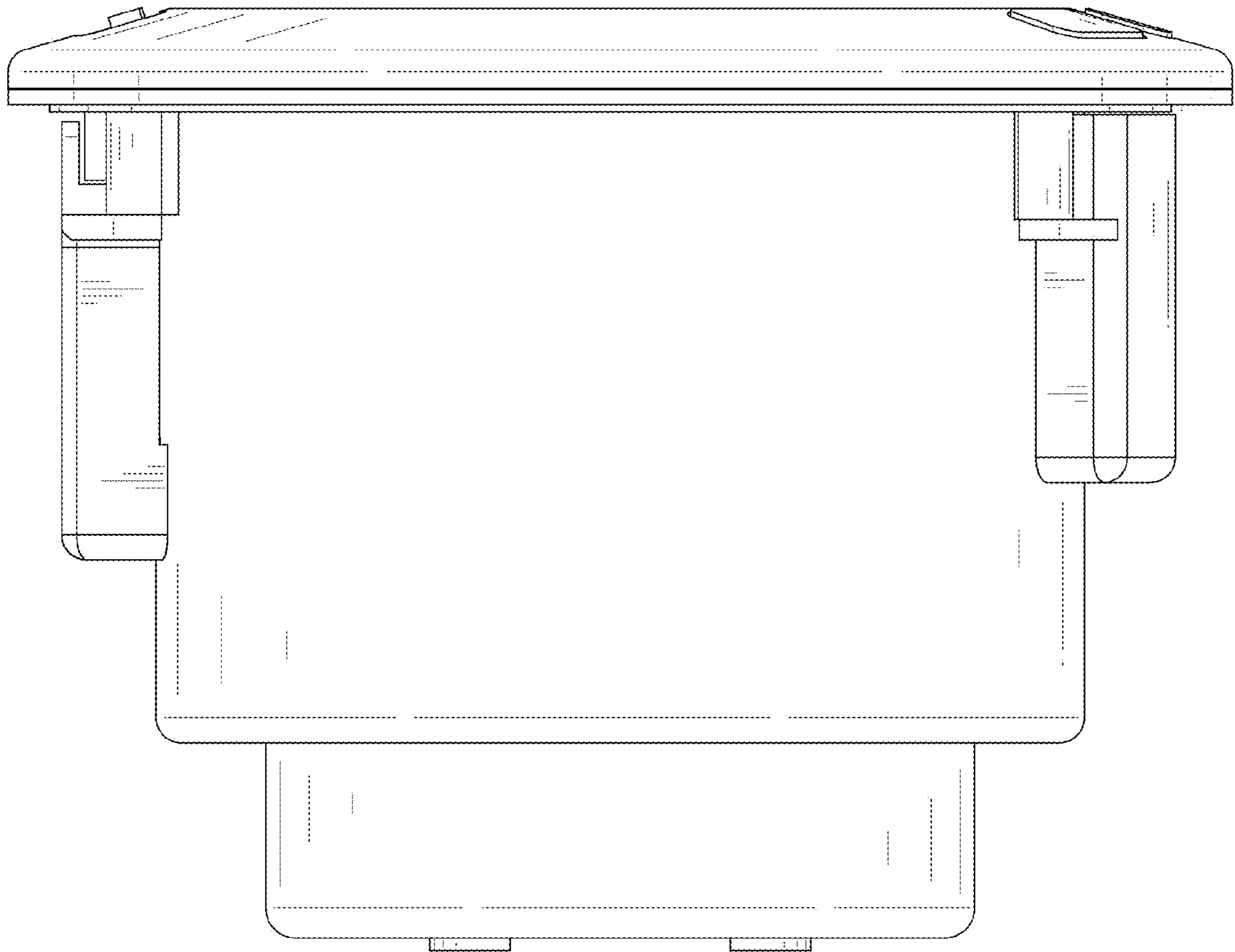


FIG. 6



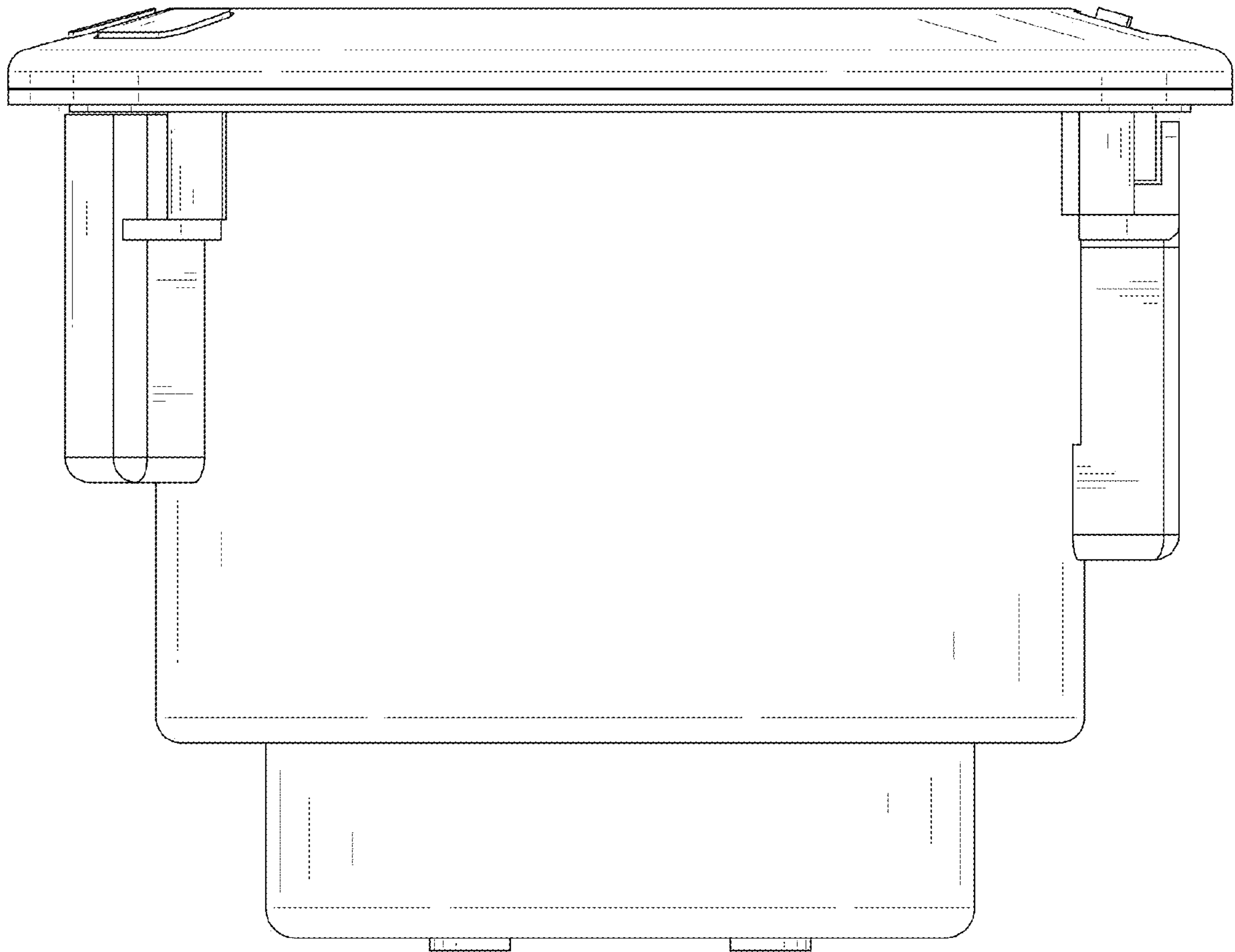


FIG. 7

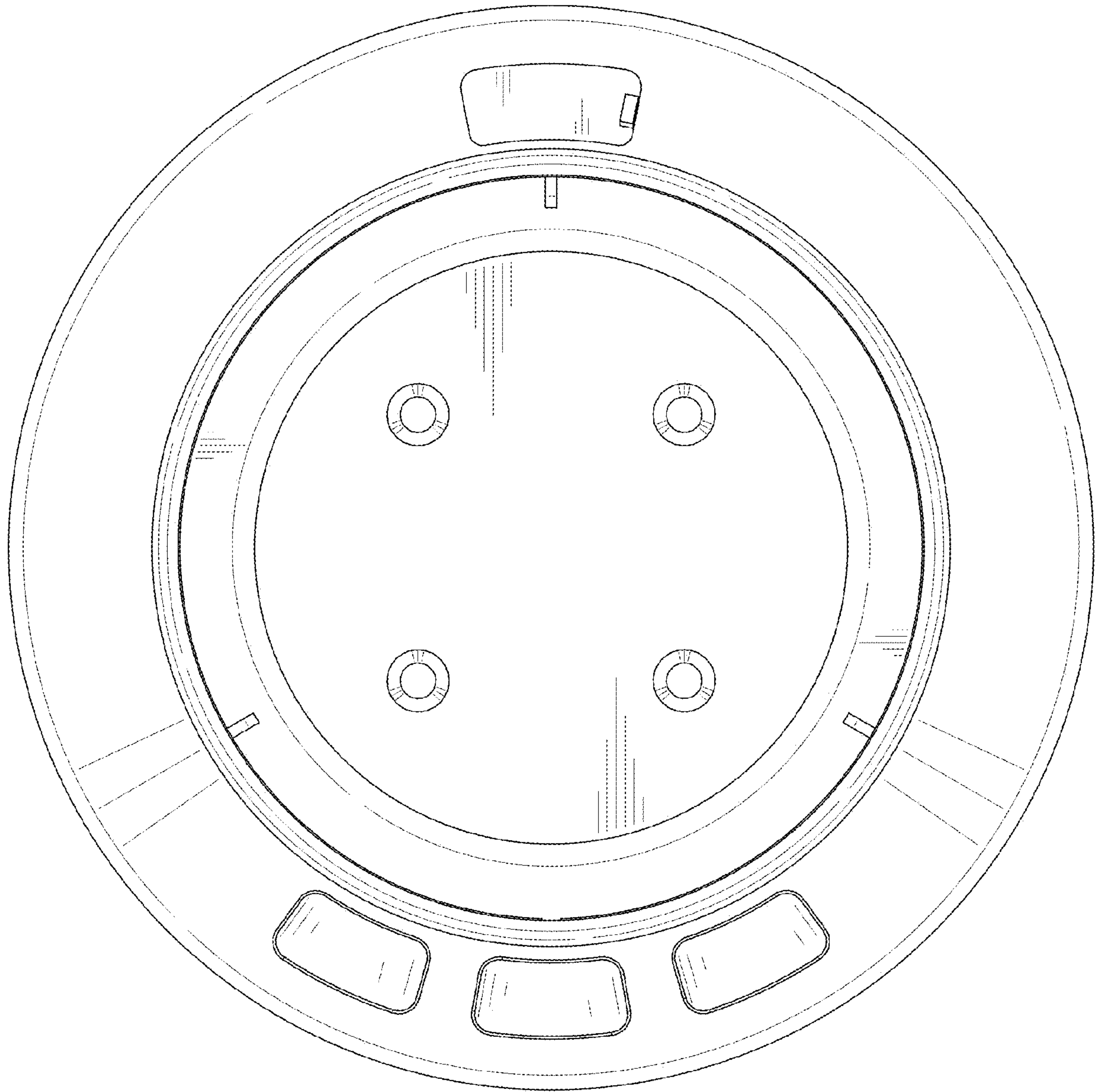


FIG. 8

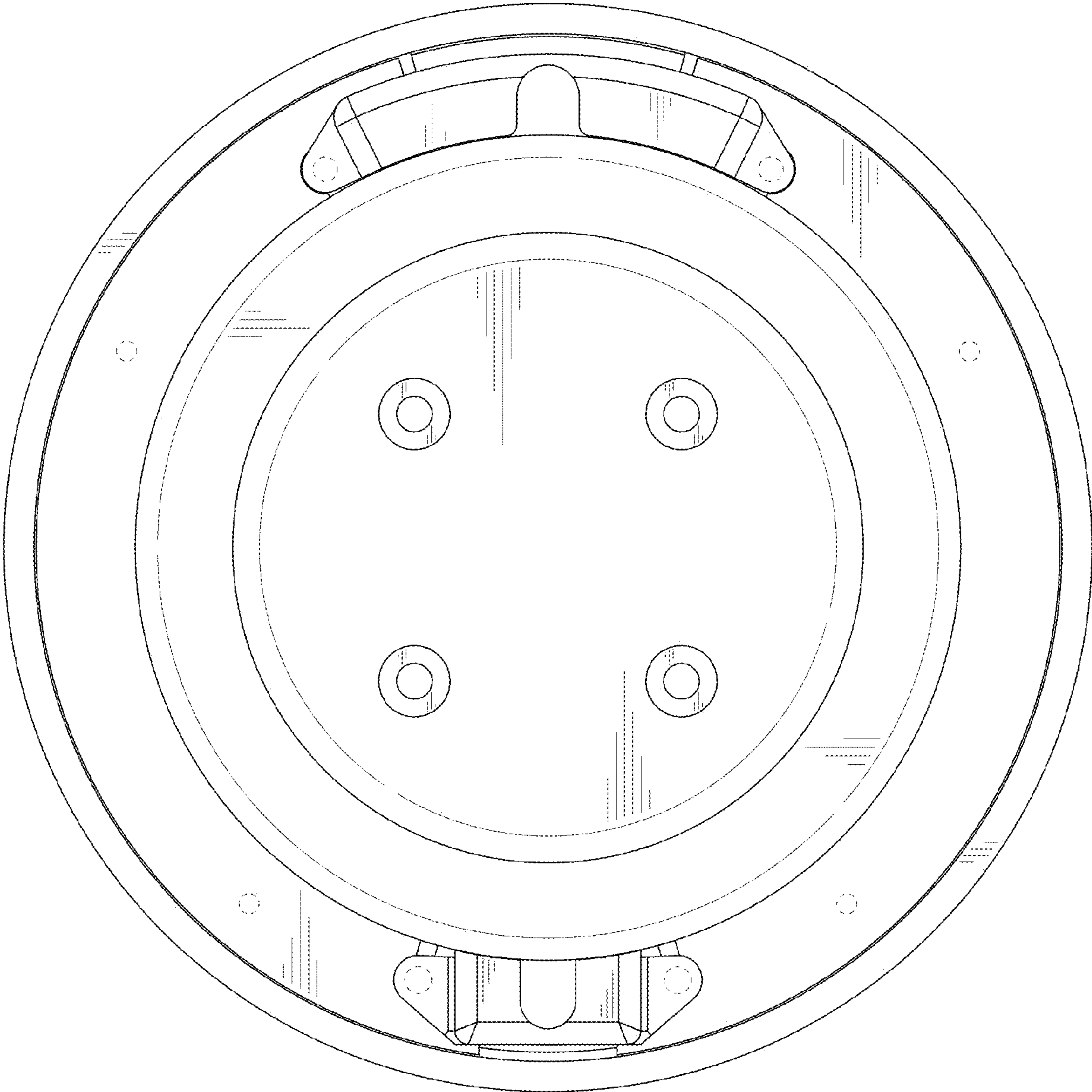


FIG. 9

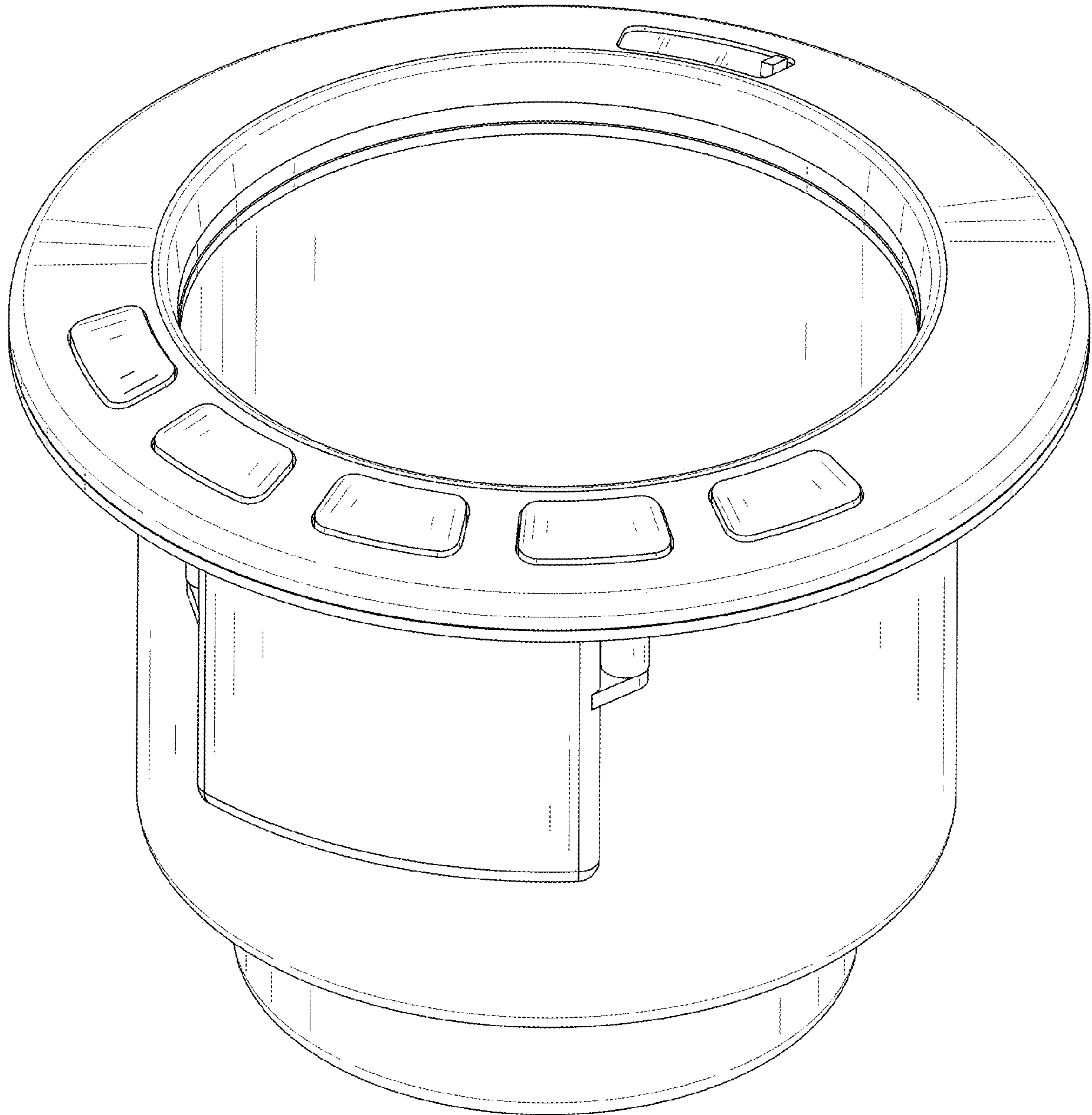


FIG. 10

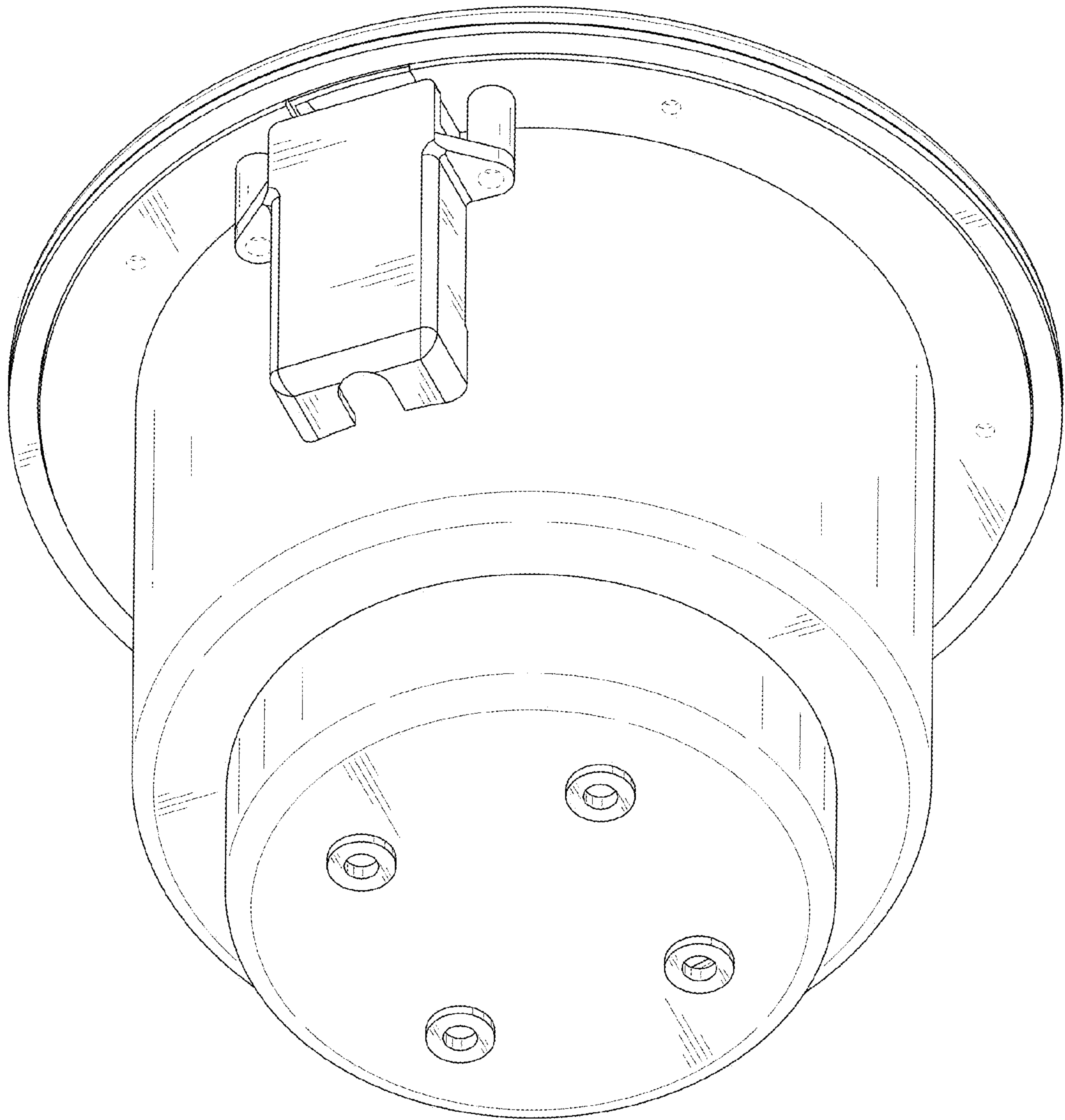


FIG. 11



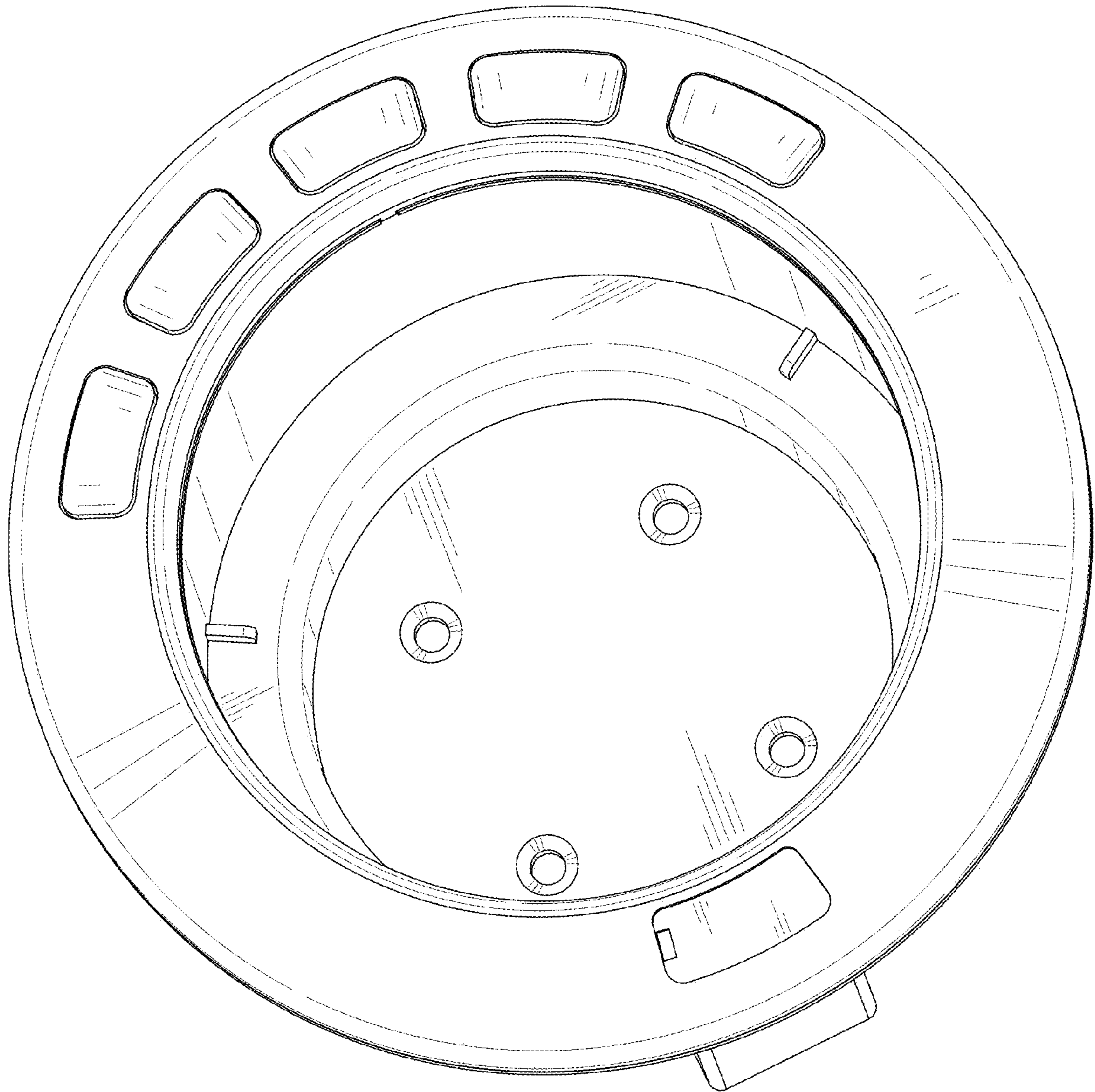


FIG. 12

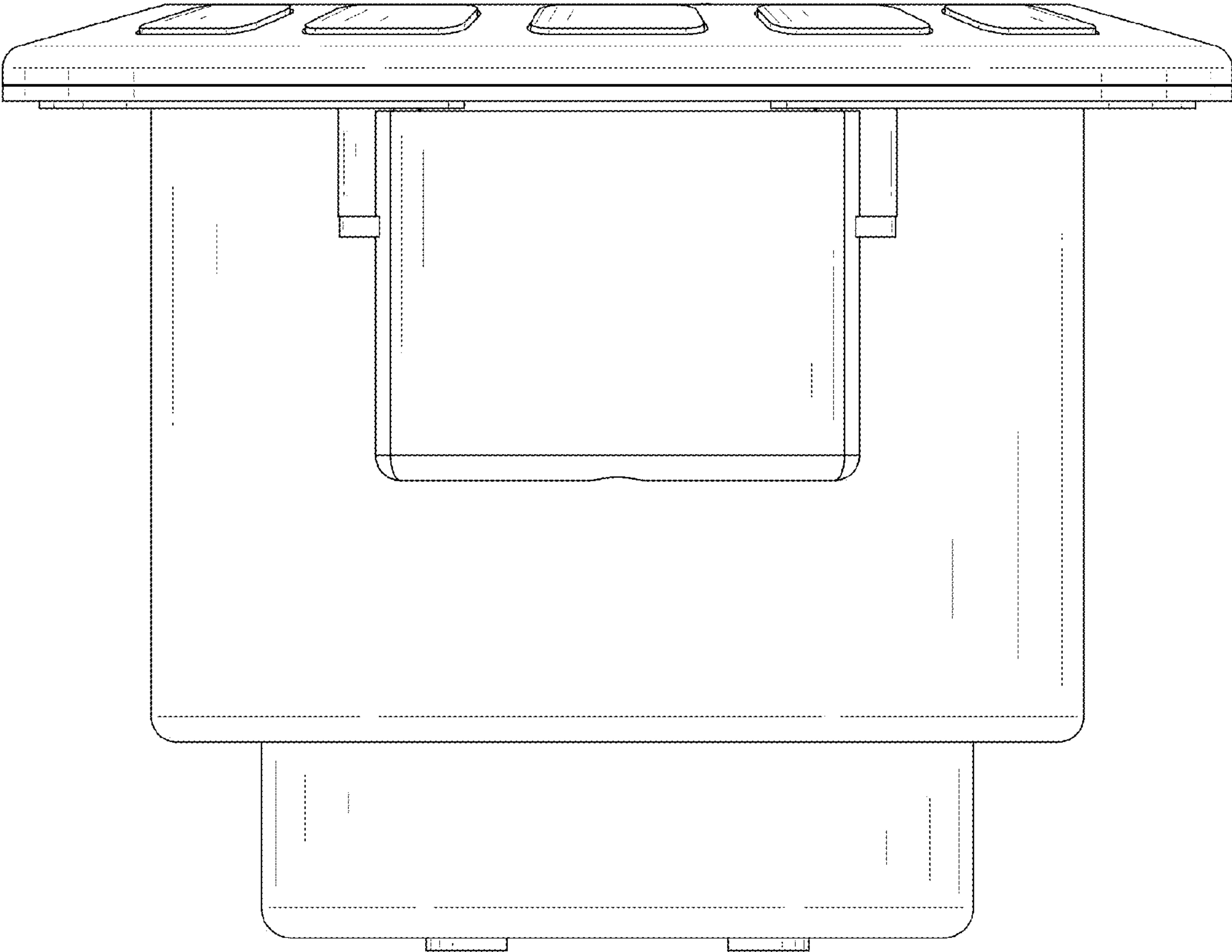


FIG. 13

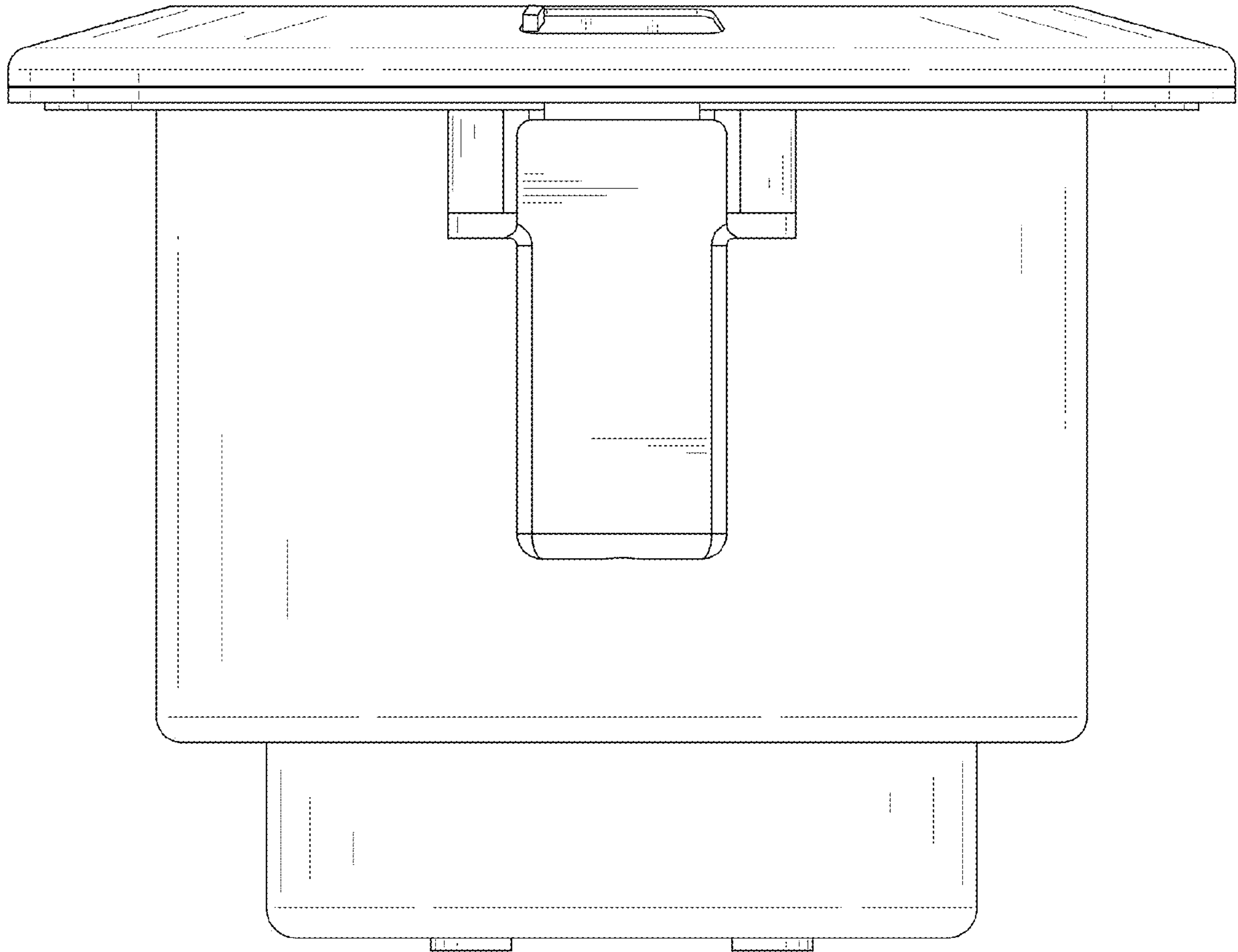


FIG. 14

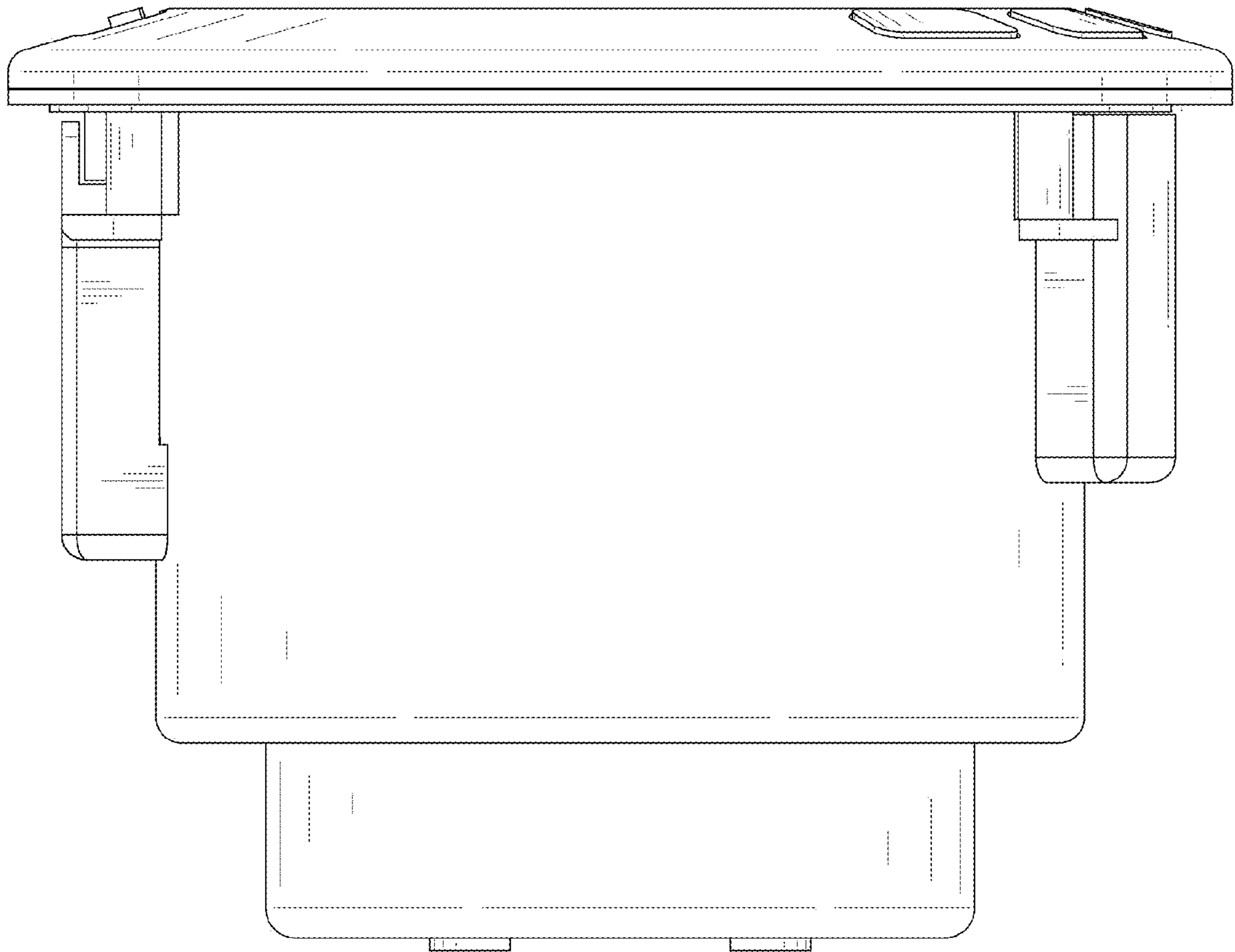


FIG. 15

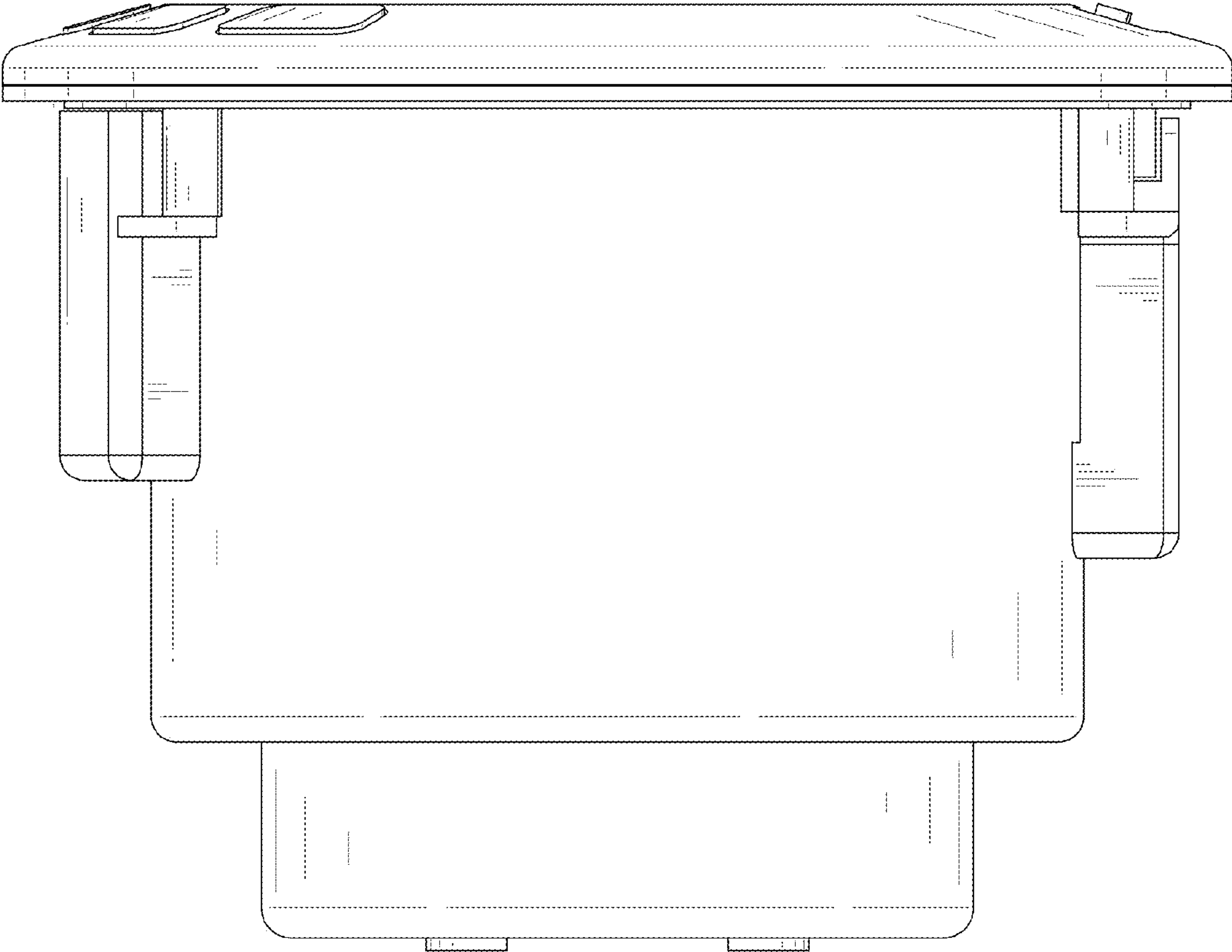


FIG. 16



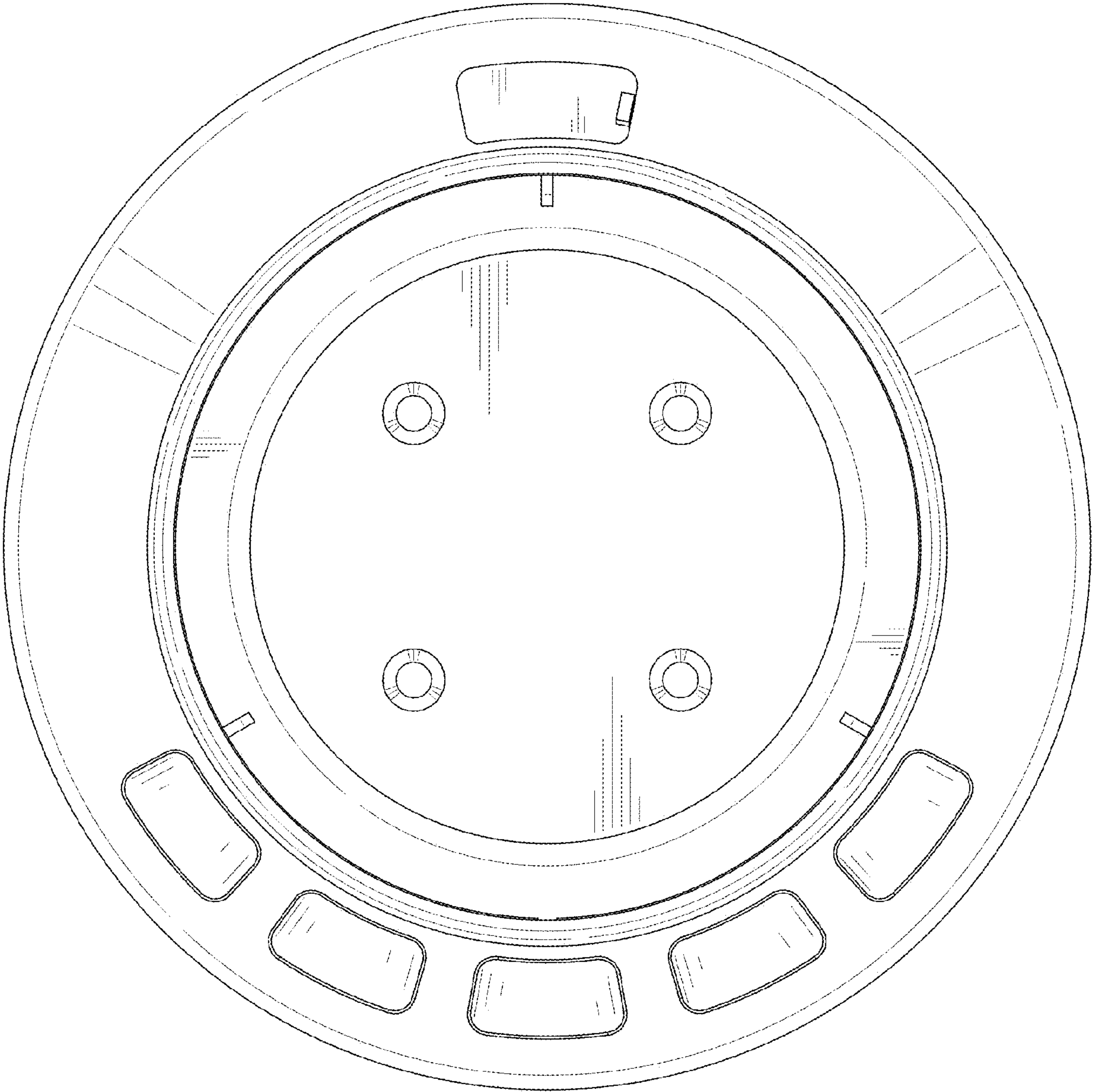


FIG. 17

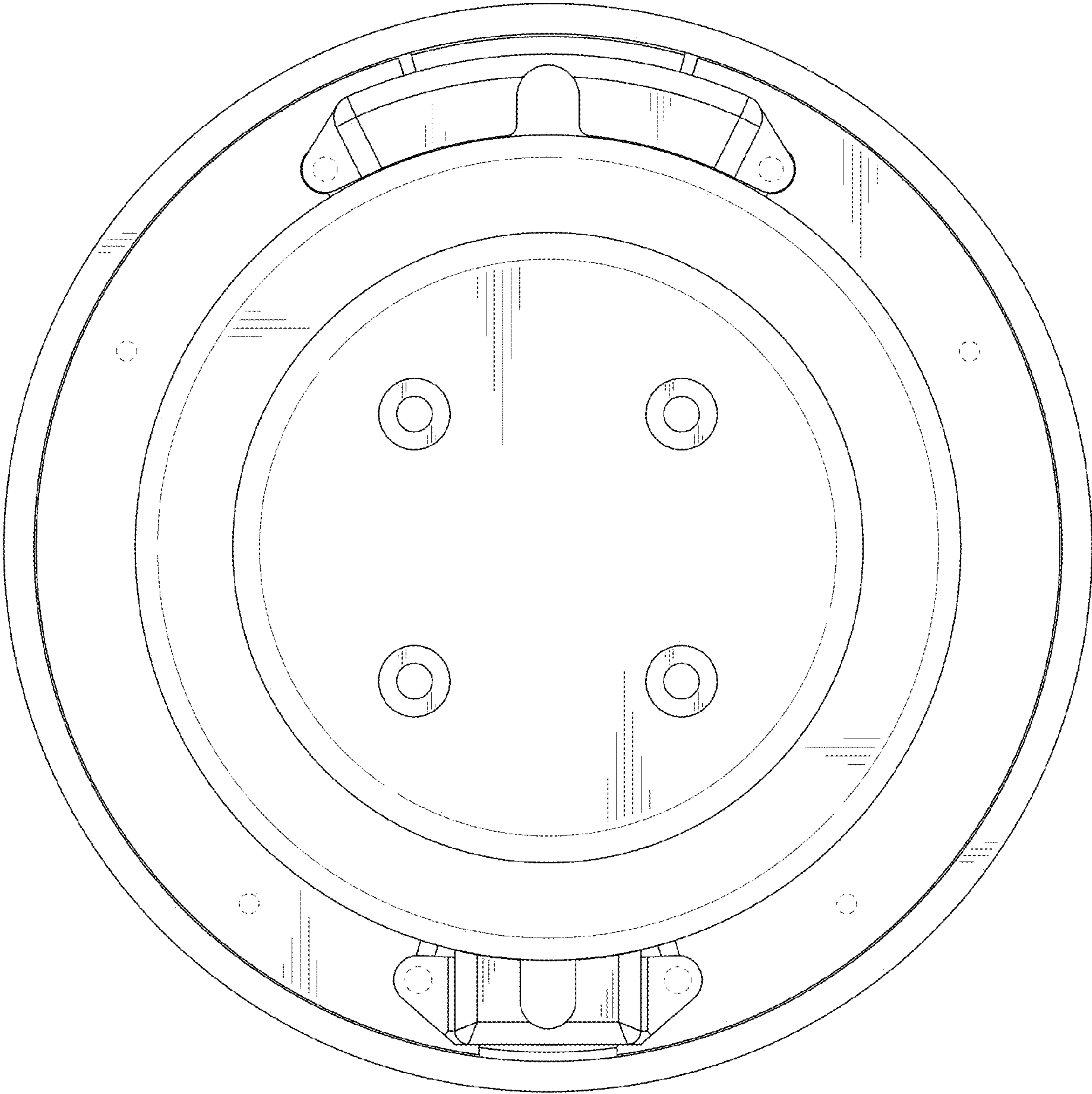


FIG. 18

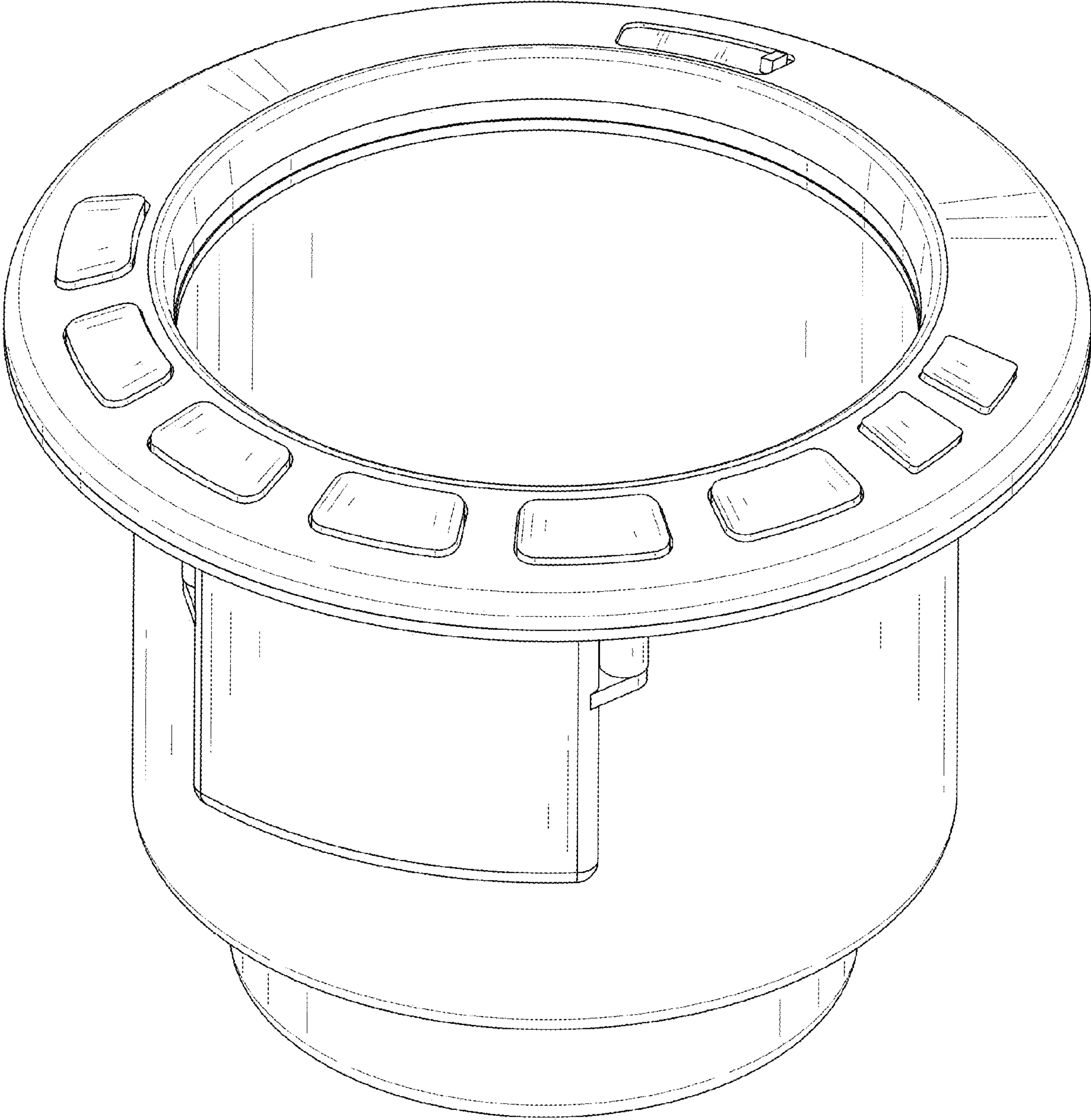


FIG. 19

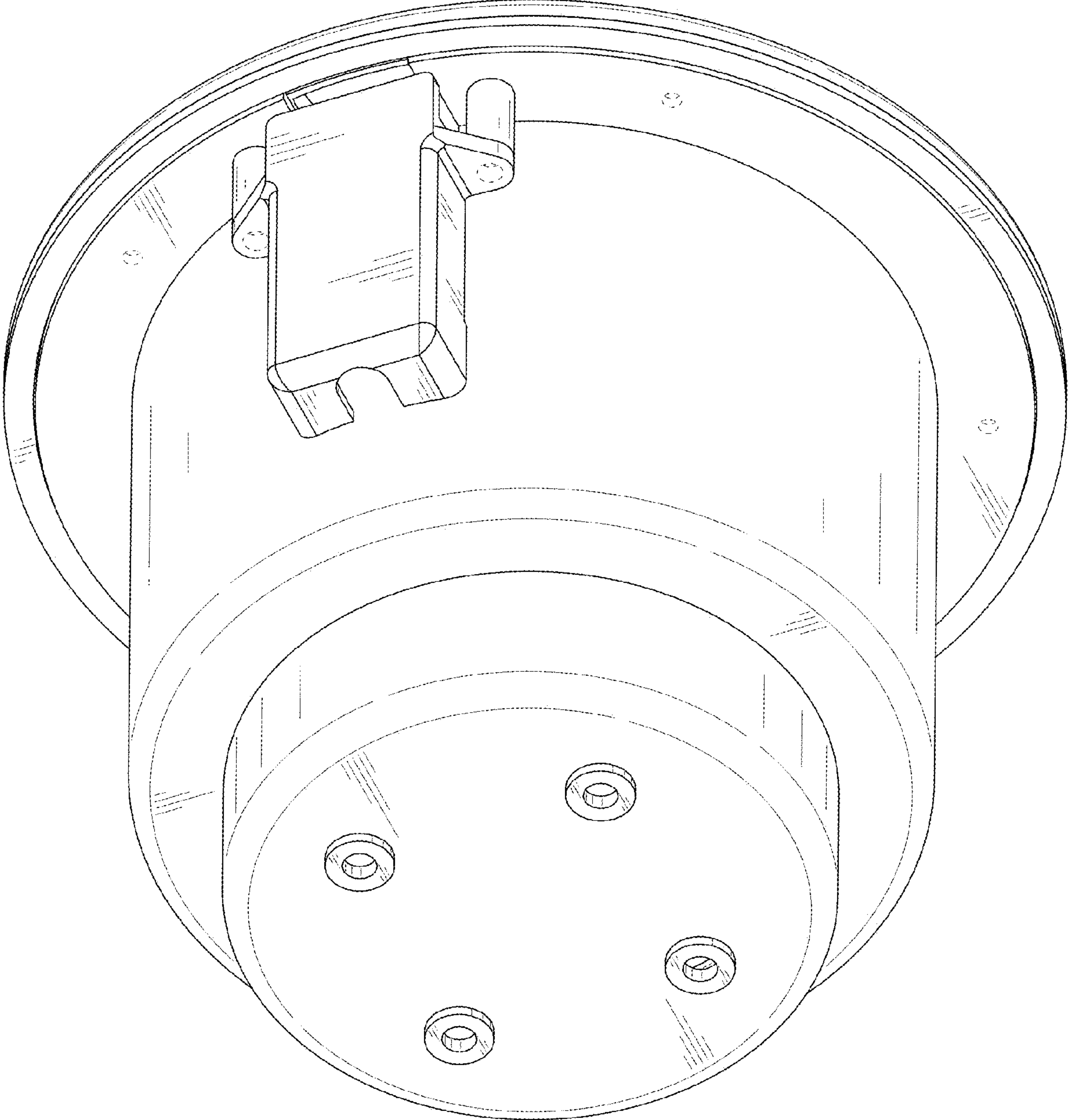


FIG. 20



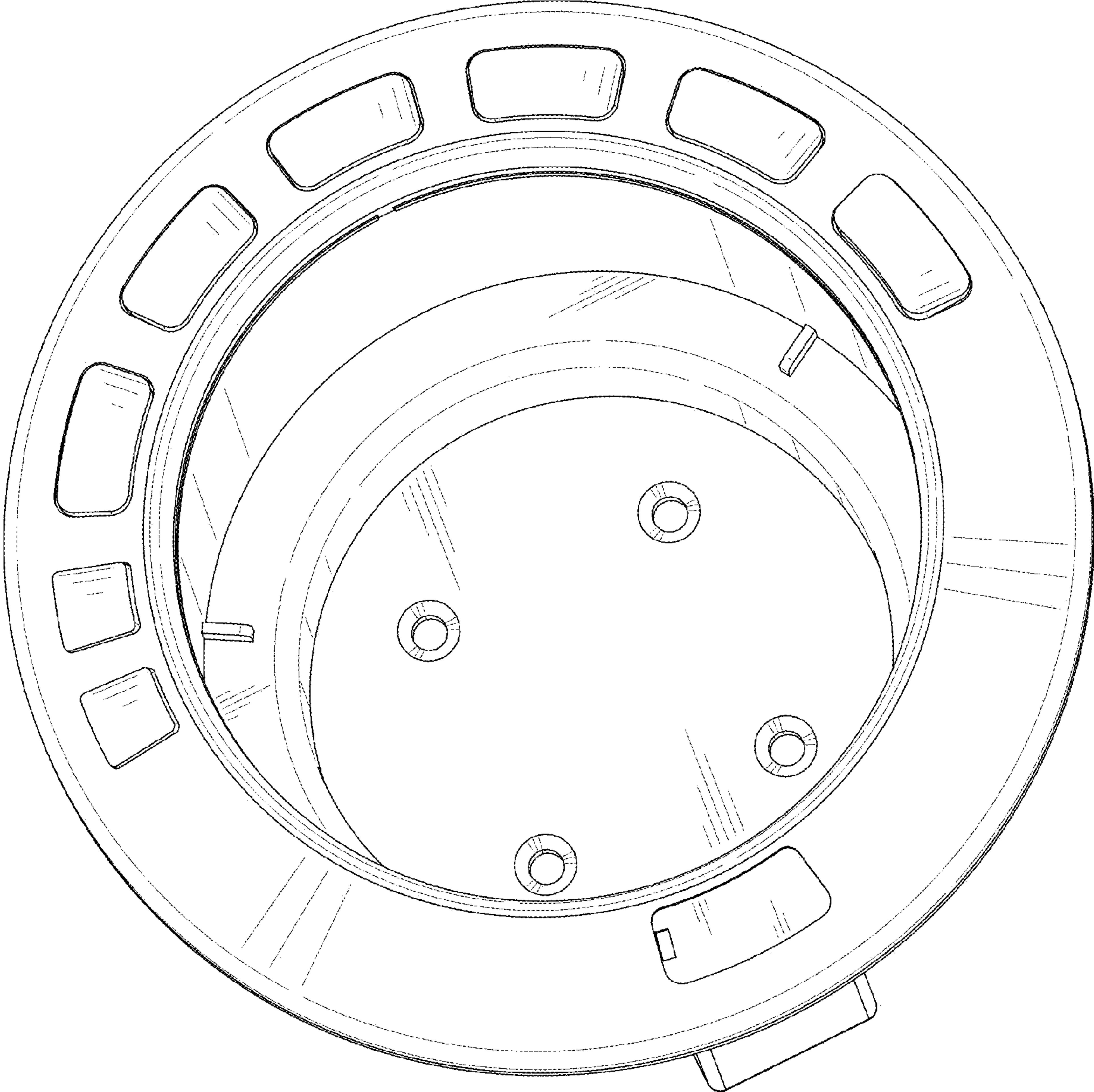


FIG. 21



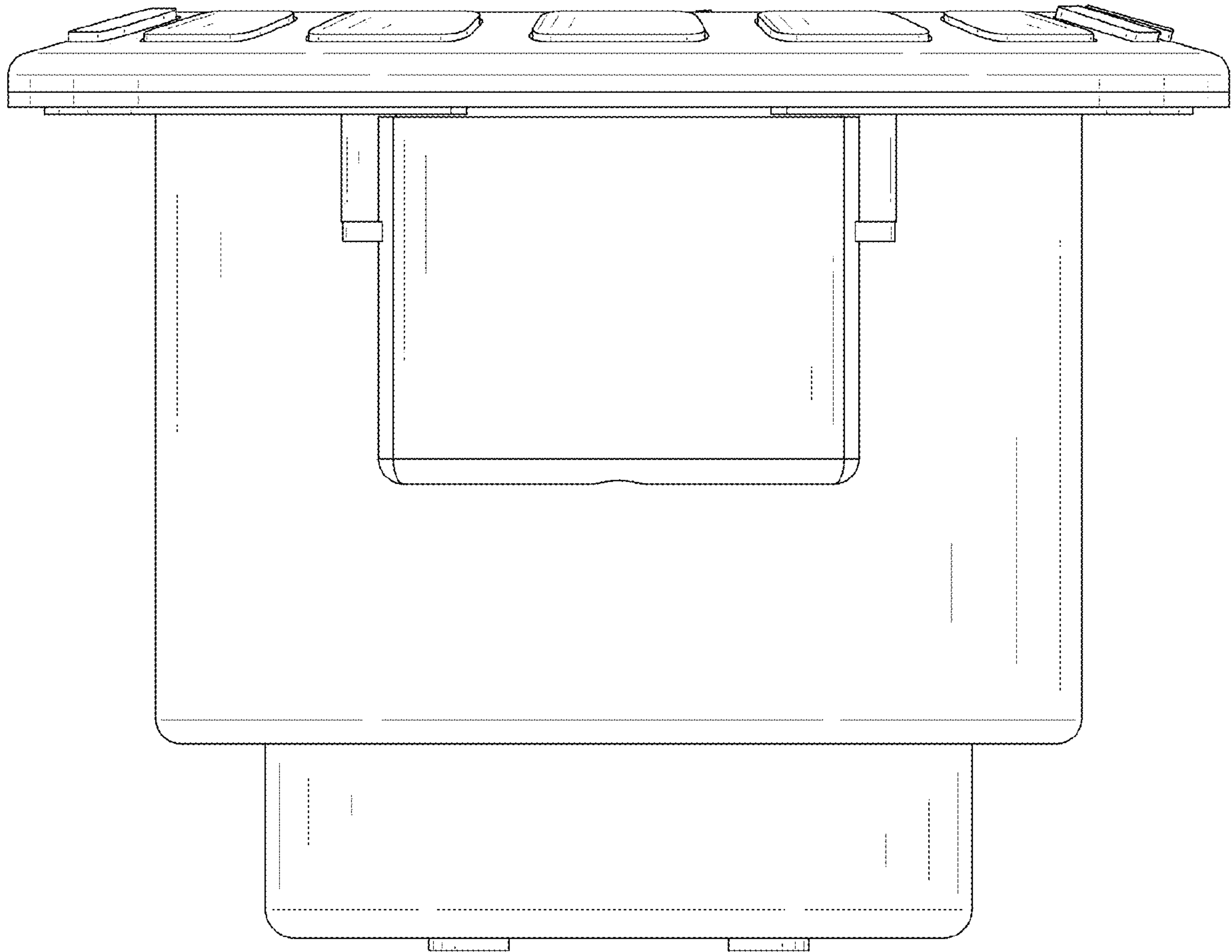


FIG. 22

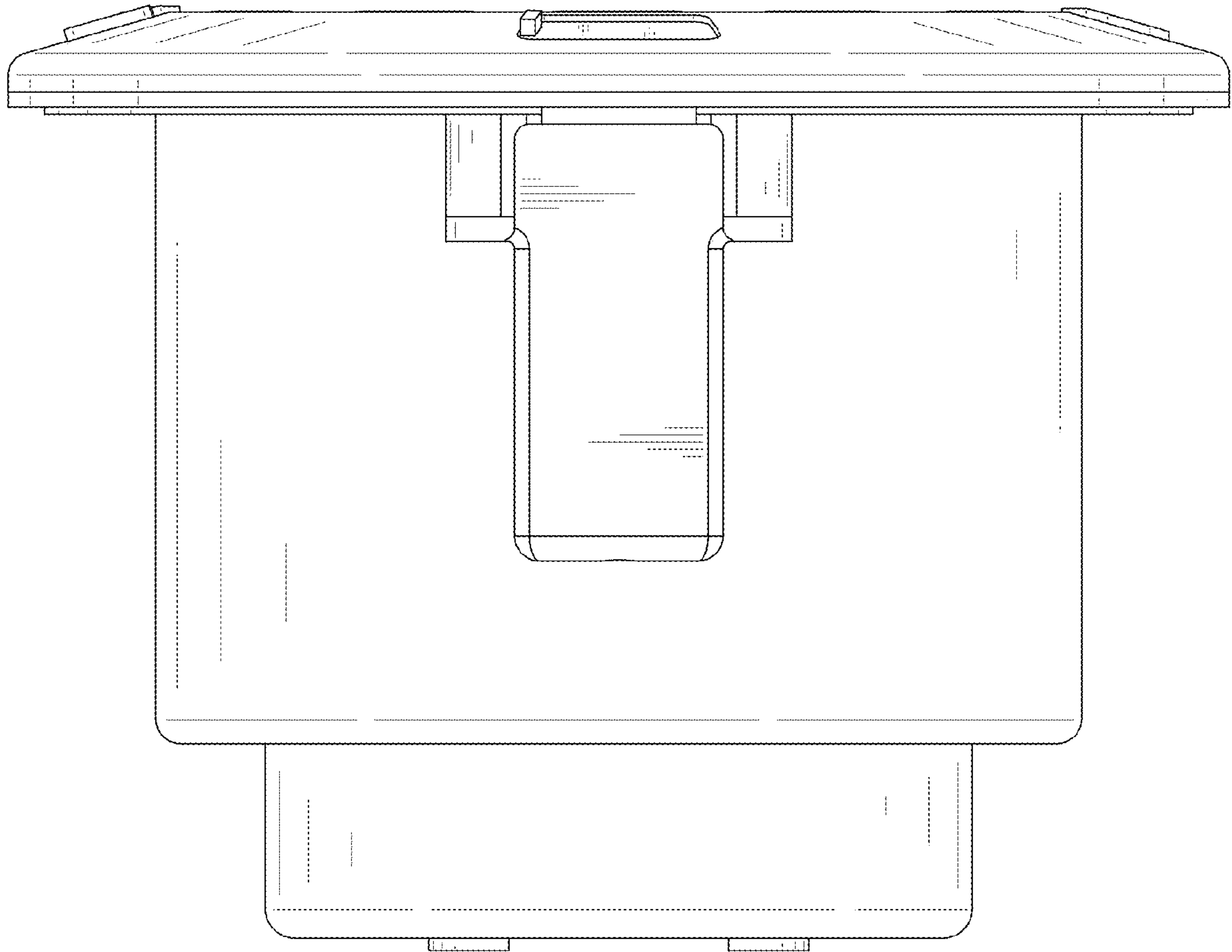


FIG. 23

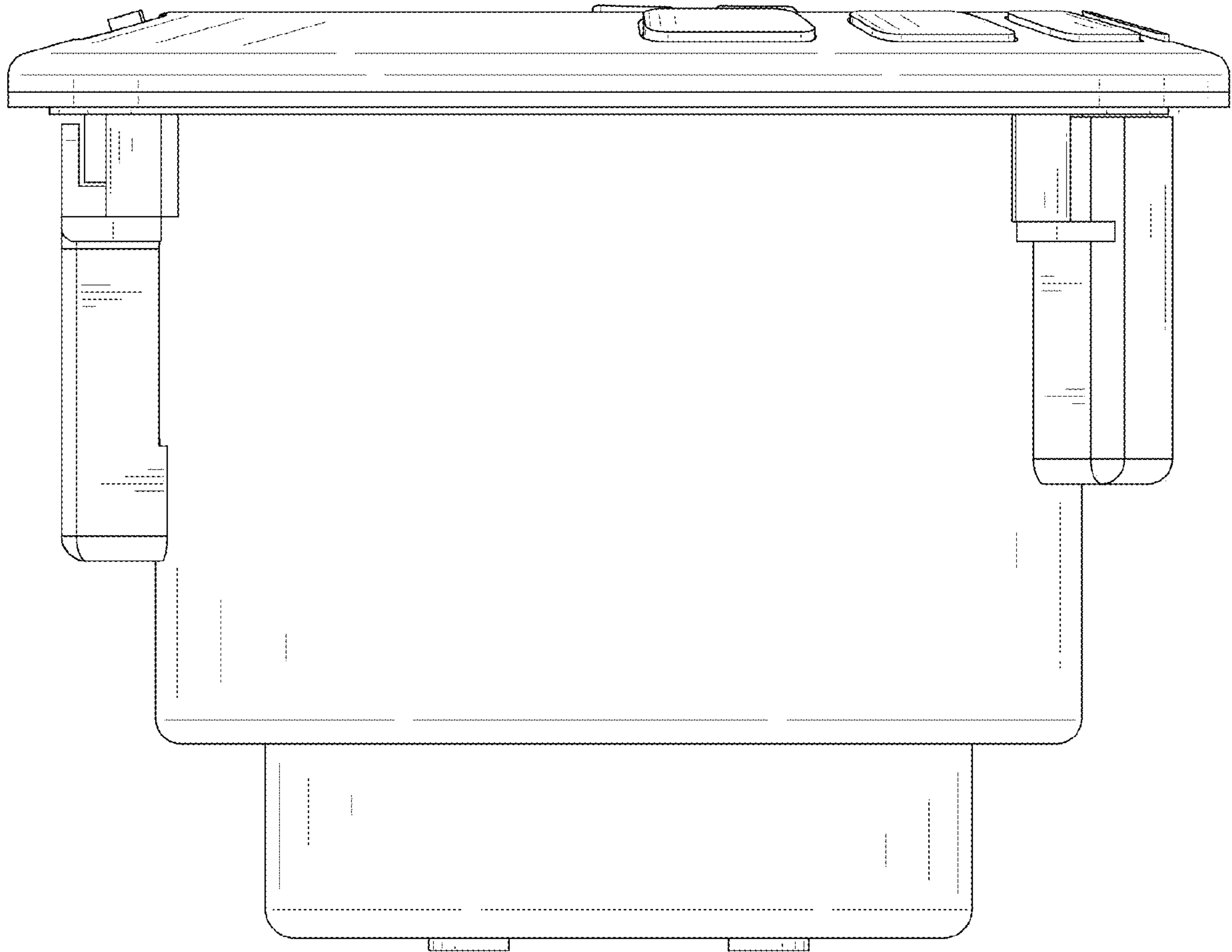


FIG. 24

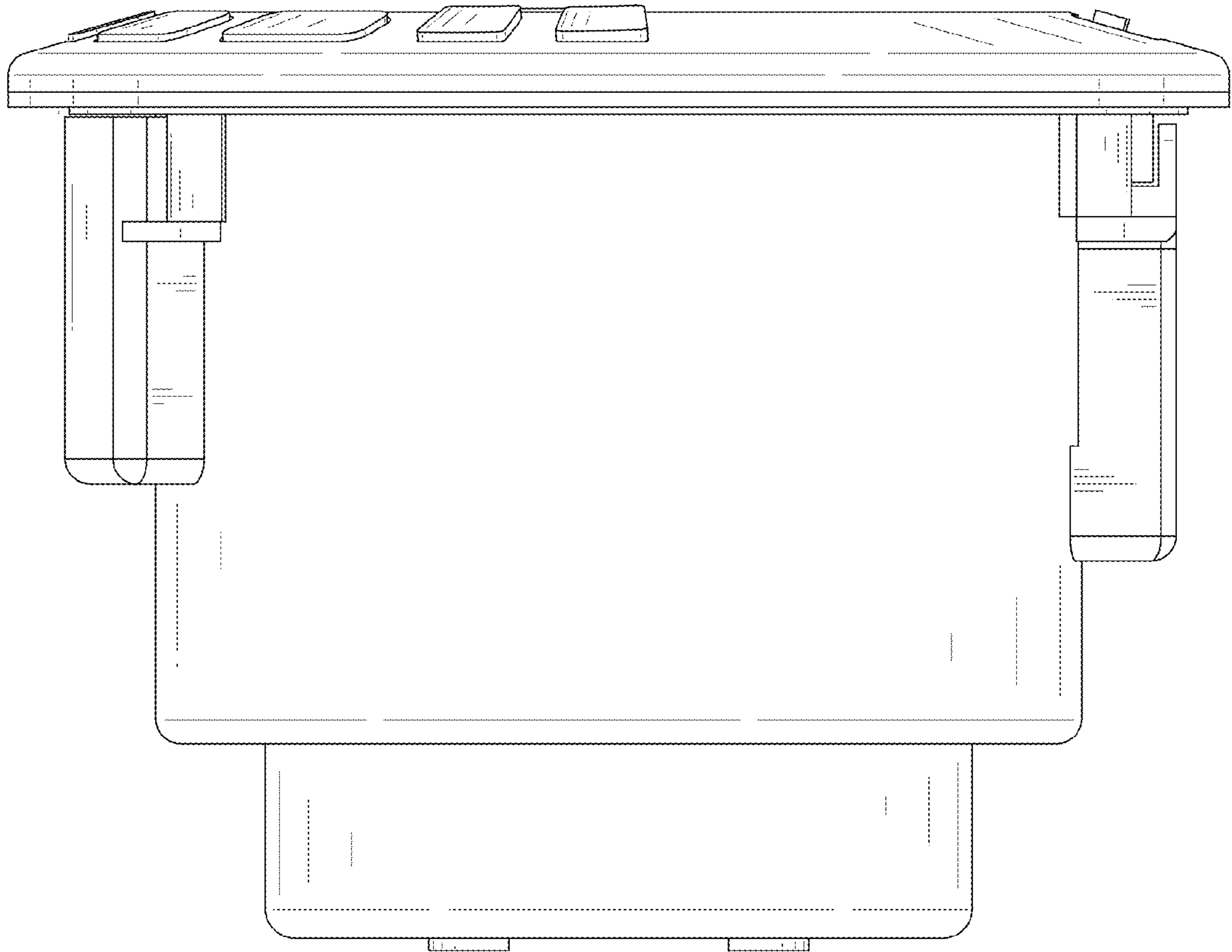


FIG. 25

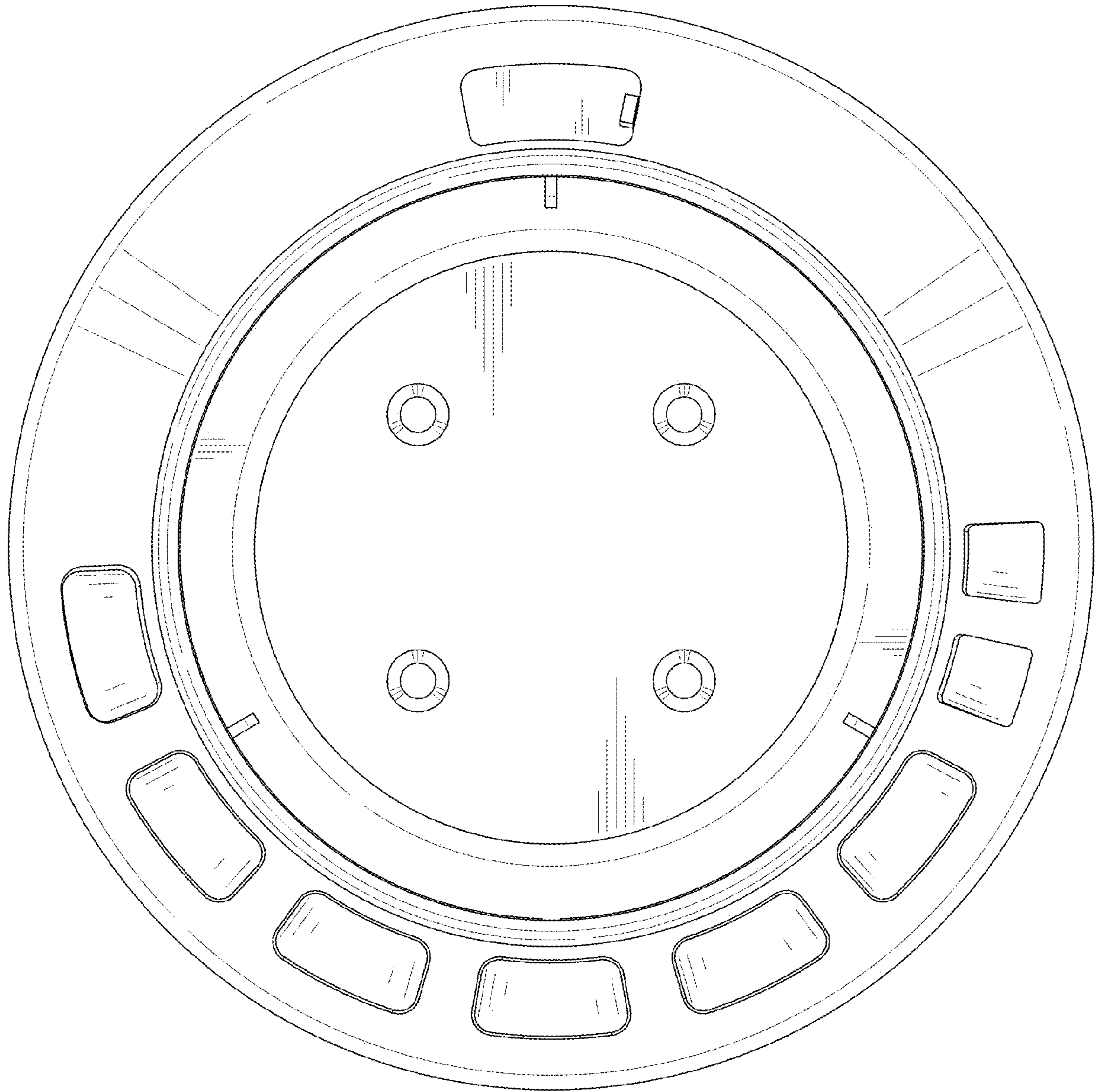


FIG. 26



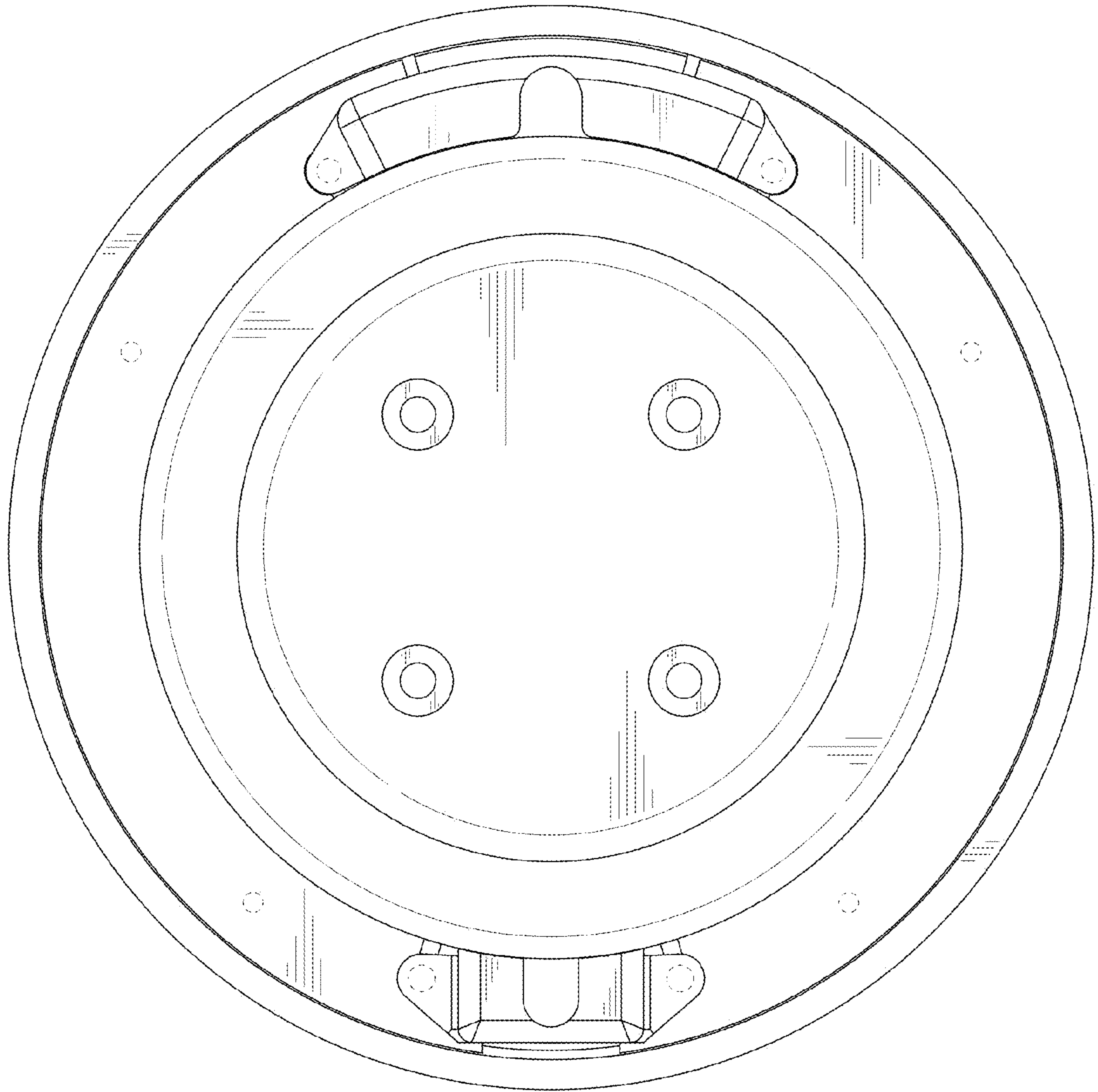


FIG. 27