



US00D945941S

(12) **United States Design Patent**
Kim et al.

(10) **Patent No.:** **US D945,941 S**
(45) **Date of Patent:** **** Mar. 15, 2022**

(54) **FRONT DOOR PANEL FOR AN AUTOMOBILE**
(71) Applicants: **Kia Motors Corporation**, Seoul (KR);
Hyundai Motor Company, Seoul (KR)
(72) Inventors: **Tae-Hoon Kim**, Seoul (KR); **Jae Wook Kim**, Suwon-si (KR)
(73) Assignees: **Kia Motors Corporation**, Seoul (KR);
Hyundai Motor Company, Seoul (KR)
(**) Term: **15 Years**

D636,317 S * 4/2011 Matei D12/196
D695,663 S * 12/2013 Suga D12/196
D706,190 S * 6/2014 Sakae D12/196
D775,567 S * 1/2017 Faghihzadeh D12/196
D786,761 S * 5/2017 Luk D12/196
D801,246 S * 10/2017 Lee D12/196
D823,766 S * 7/2018 Han D12/196
D827,534 S * 9/2018 Simm D12/196
D834,481 S * 11/2018 Lim D12/196
D840,307 S * 2/2019 Chan D12/196
D848,334 S * 5/2019 Tomasson D12/196
D860,895 S * 9/2019 Lee D12/196
D863,170 S * 10/2019 Zipfel D12/196
D867,951 S * 11/2019 Izard D12/196
D873,752 S * 1/2020 Choi D12/196

(Continued)

(21) Appl. No.: **35/510,736**

(22) Filed: **May 8, 2020**

(80) **Hague Agreement Data**

Int. Filing Date: **May 8, 2020**
Int. Reg. No.: **DM/208285**
Int. Reg. Date: **May 8, 2020**
Int. Reg. Pub. Date: **Nov. 13, 2020**

(30) **Foreign Application Priority Data**

Jan. 30, 2020 (KR) 30-2020-0004078

(51) **LOC (13) Cl.** **12-16**

(52) **U.S. Cl.**
USPC **D12/196**

(58) **Field of Classification Search**

USPC D12/90, 91, 92, 184, 196
CPC B62D 24/00; B62D 24/02; B62D 25/02;
B62D 25/18; B62D 25/08; B62D 35/00;
B60J 5/04; B60R 19/02; B60R 19/04
See application file for complete search history.

(56) **References Cited**

U.S. PATENT DOCUMENTS

D556,111 S * 11/2007 Levy D12/196
D580,332 S * 11/2008 Gueler D12/196

OTHER PUBLICATIONS

“2021 Hyundai Elantra.” Hyundai Brochure., Oct. 31, 2020 [online], [retrieved on Nov. 2, 2021]. Retrieved from the Internet <URL: <https://cdn.dealereprocess.org/cdn/brochures/hyundai/2021-elantra.pdf>>.*

(Continued)

Primary Examiner — Darlington Ly

(74) *Attorney, Agent, or Firm* — Mintz Levin Cohn Ferris Glovsky & Popeo, P.C.; Peter F. Corless

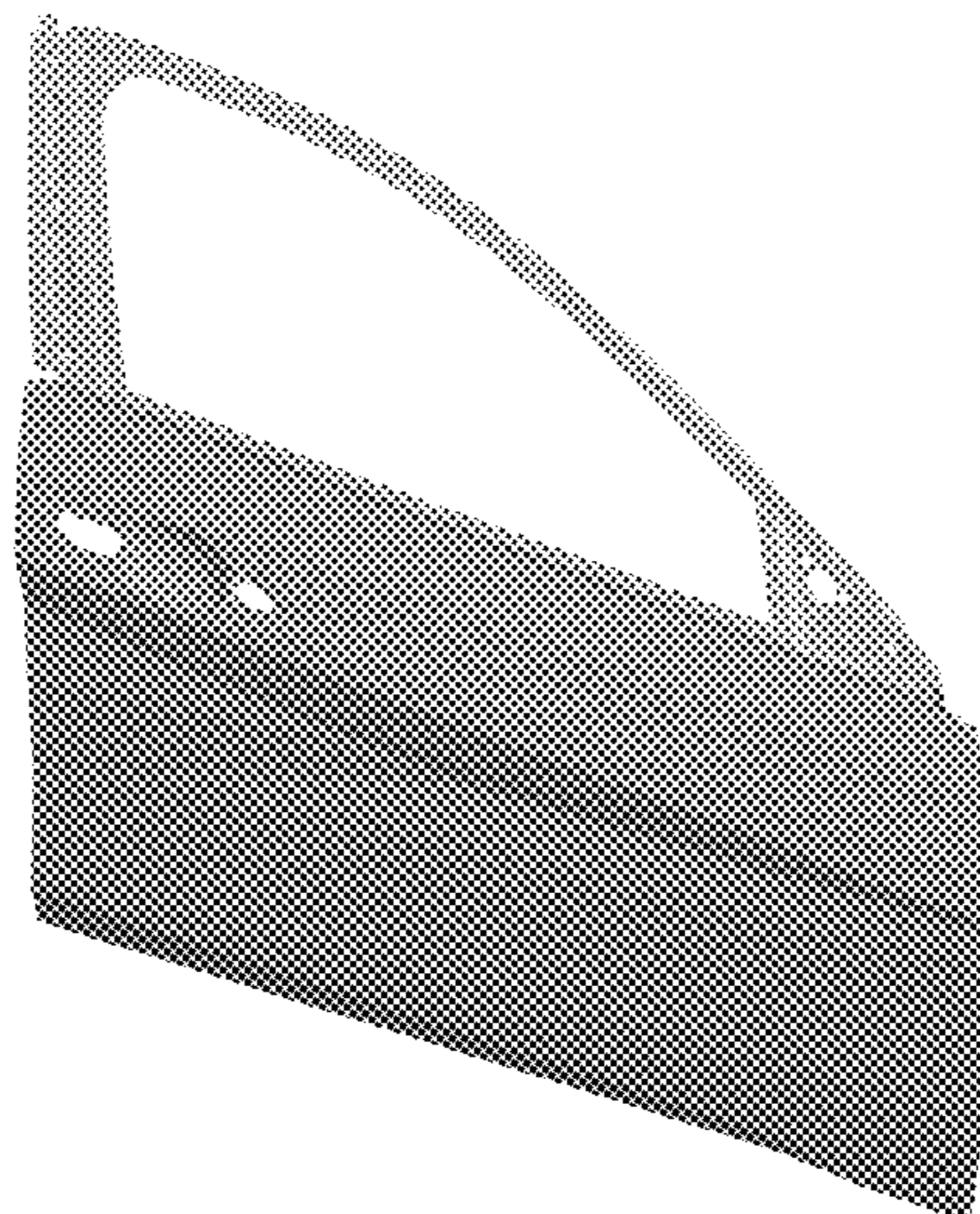
(57) **CLAIM**

The ornamental design for a front door panel for an automobile, as shown and described.

DESCRIPTION

1. Front door panel for an automobile
1.1 is a front and right side perspective view of a front door panel for an automobile embodying our new design;
1.2 is a front elevation view thereof;
1.3 is a rear elevation view thereof;
1.4 is a left side elevation view thereof;
1.5 is a right side elevation view thereof;
1.6 is a top plan view thereof; and
1.7 is a bottom plan view thereof.

1 Claim, 7 Drawing Sheets



(56)

References Cited

U.S. PATENT DOCUMENTS

D890,057 S * 7/2020 Lim D12/196
 D915,973 S * 4/2021 Kim D12/196
 2011/0219700 A1* 9/2011 Grudzinski B60J 10/75
 49/493.1
 2013/0020816 A1* 1/2013 Saitou E05B 79/06
 292/336.3
 2013/0341961 A1* 12/2013 Mori B60R 13/04
 296/146.2
 2014/0132025 A1* 5/2014 Usami B60J 1/2063
 296/97.8
 2015/0035310 A1* 2/2015 Yamaguchi B60R 13/0206
 296/153
 2016/0114658 A1* 4/2016 Yokota B60J 5/0402
 49/489.1
 2018/0051492 A1* 2/2018 Smith E05B 79/06

OTHER PUBLICATIONS

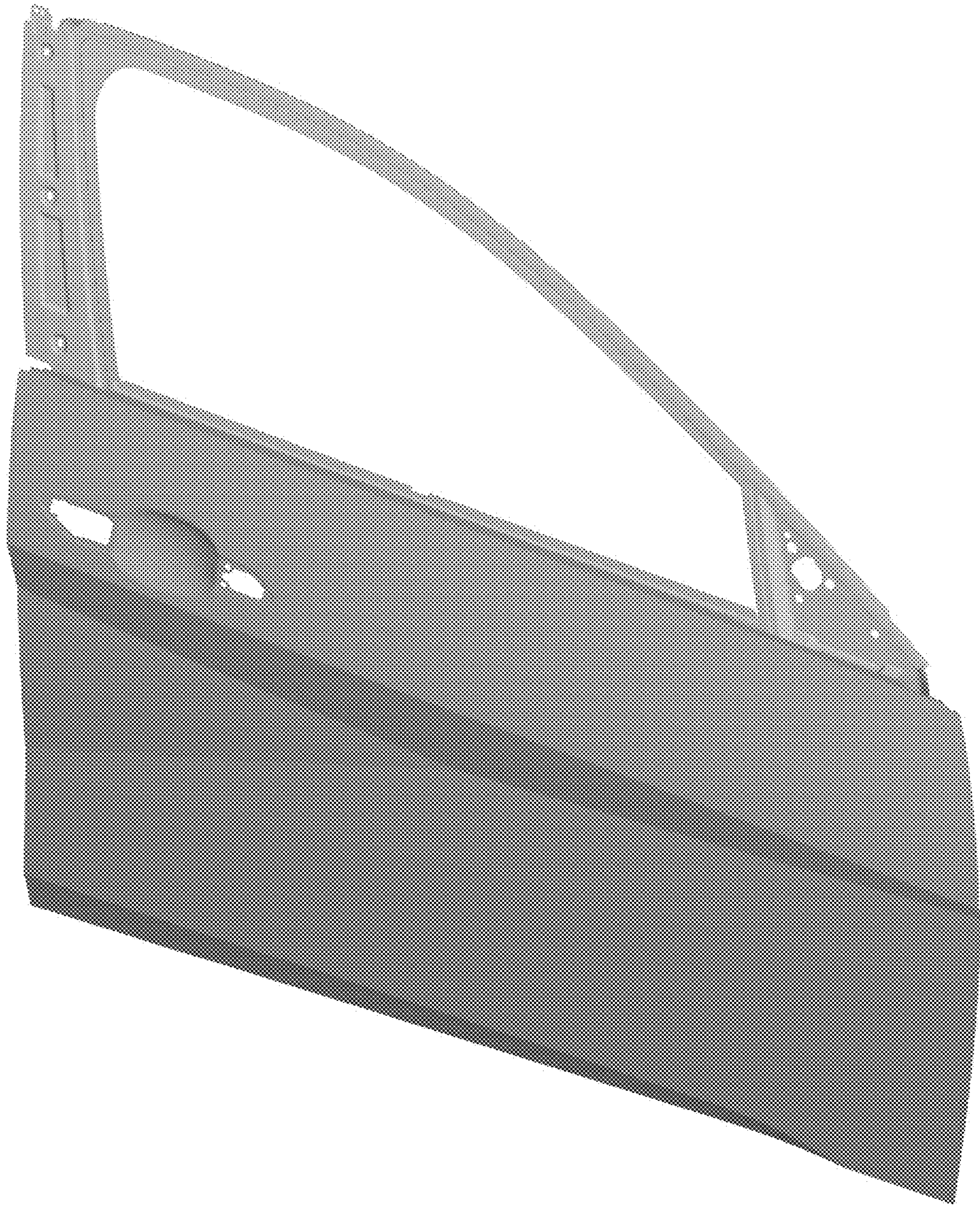
“2022 Elantra.” Hyundai Brochure., Jun. 21, 2021 [online], [retrieved on Nov. 2, 2021]. Retrieved from the Internet <URL: <https://cdn.dealereprocess.org/cdn/brochures/hyundai/2022-elantra.pdf>>.*

“2021 K5. Turbocharge Everyday.” Kia Brochure., Jun. 11, 2020 [online], [retrieved on Nov. 2, 2021]. Retrieved from the Internet <URL: <https://cdn.dealereprocess.org/cdn/brochures/kia/2021-k5.pdf>>.*

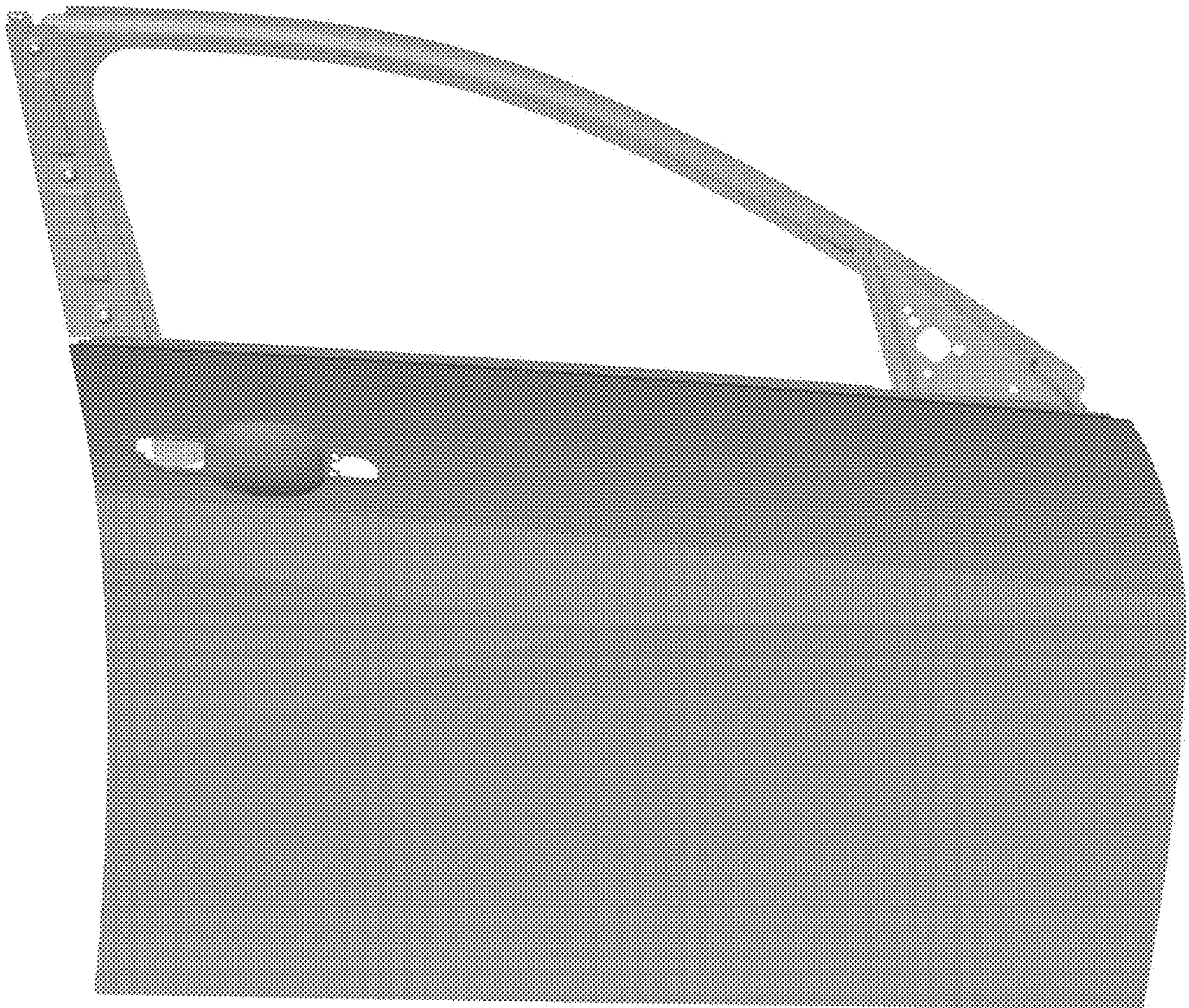
“2020 Hyundai Elantra.” Hyundai Brochure., Jul. 2, 2019 [online], [retrieved on Nov. 2, 2021]. Retrieved from the Internet <URL: <https://cdn.dealereprocess.org/cdn/brochures/hyundai/2020-elantra.pdf>>.*

* cited by examiner

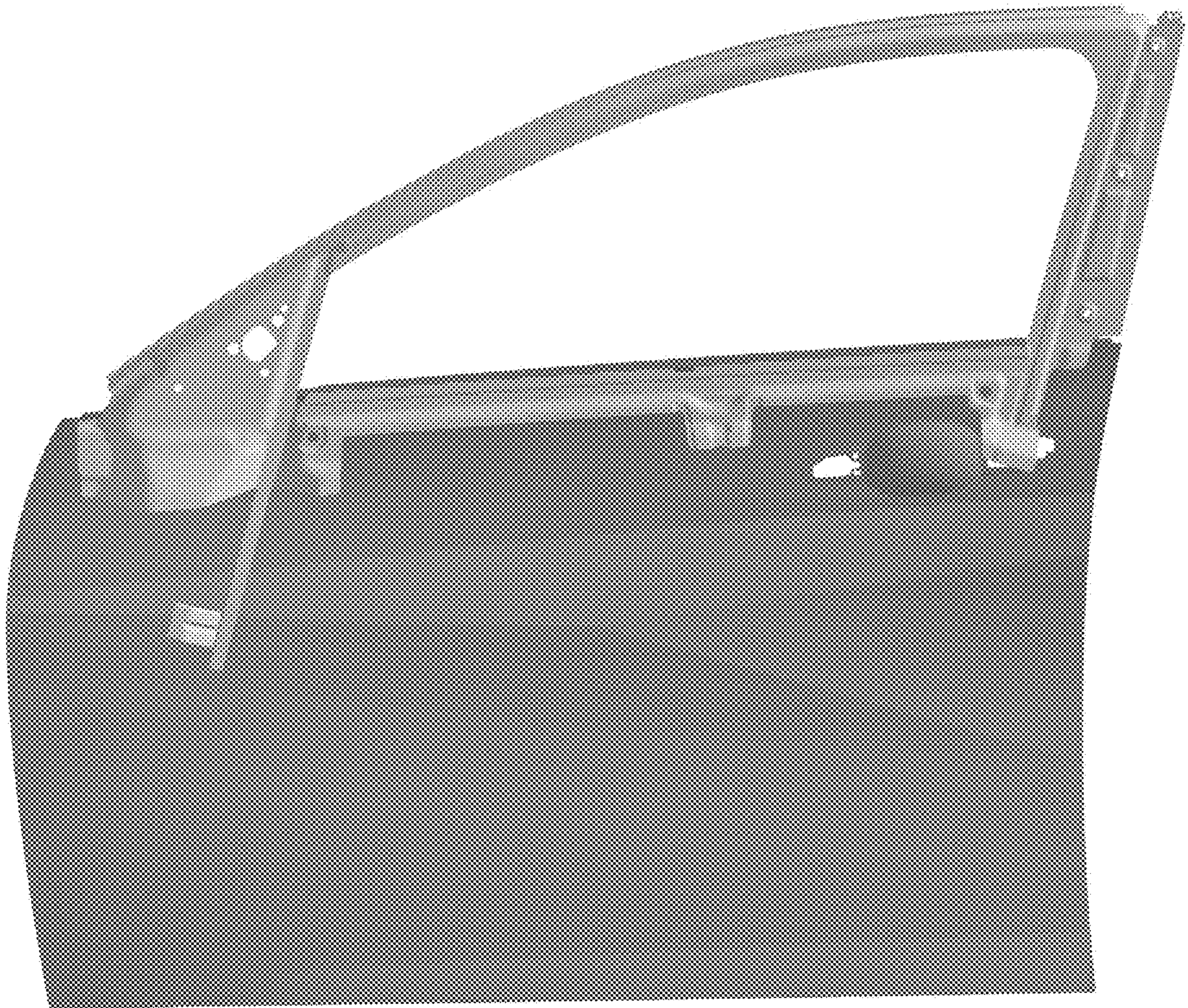
1.1



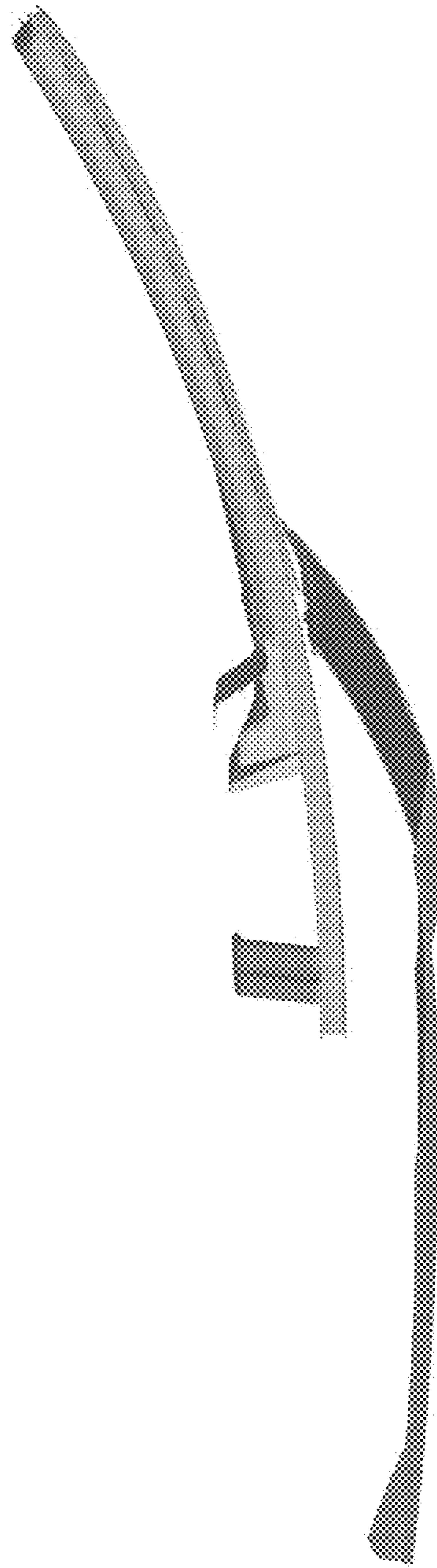
1.2



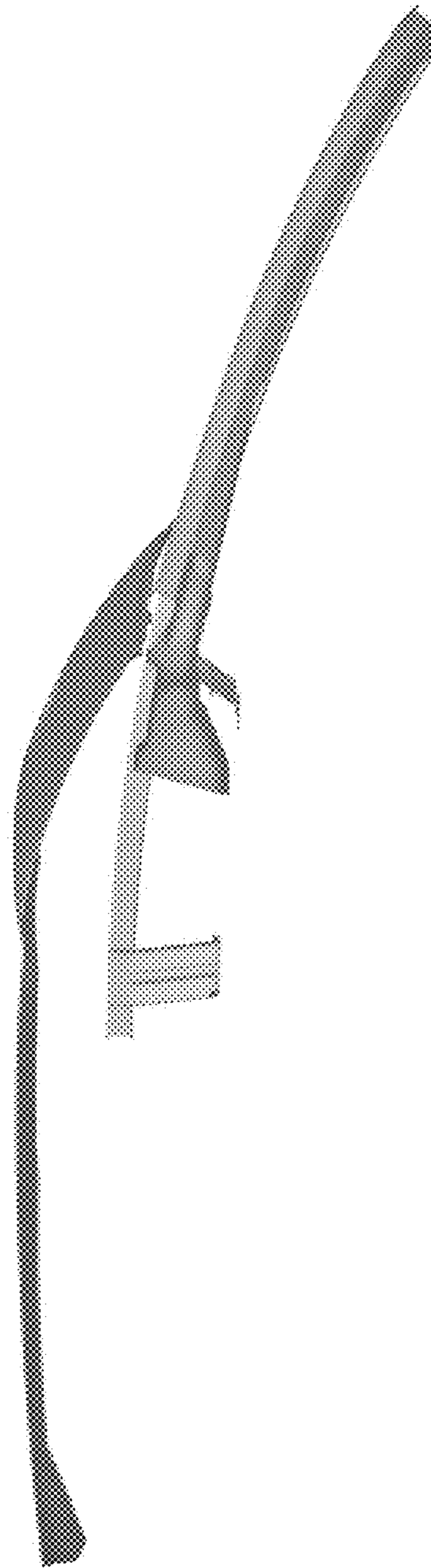
1.3



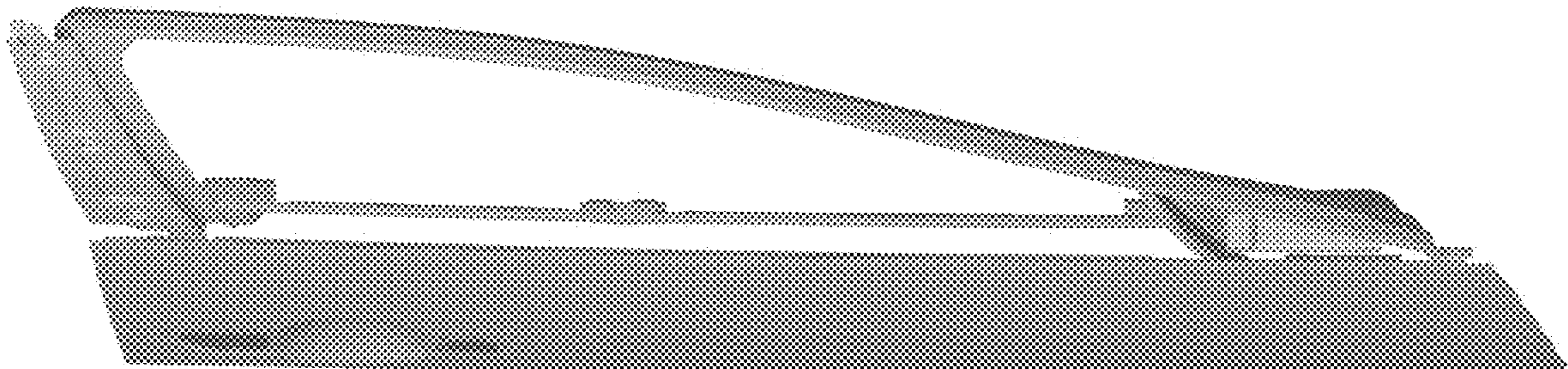
1.4



1.5



1.6



1.7

