



US00D945940S

(12) **United States Design Patent** (10) **Patent No.:** **US D945,940 S**
Avery et al. (45) **Date of Patent:** **** Mar. 15, 2022**

(54) **FENDER WITH HELMET MOUNT**

(56) **References Cited**

(71) Applicant: **JJC Imports, LLC**, West Hollywood, CA (US)
(72) Inventors: **Jason Avery**, Los Angeles, CA (US); **Stephen Chen**, Los Angeles, CA (US); **Tyler Do**, Burbank, CA (US); **Amelia Helmick**, West Hollywood, CA (US); **Jeffrey Kelsoe**, West Hollywood, CA (US); **Sean Lim**, Los Angeles, CA (US); **Paul Van Wieren**, Los Angeles, CA (US); **Andrew Wilson**, Calabasas, CA (US); **Andrew Reuter**, La Crosse, WI (US); **Diego Meneses**, Shenzhen (CN); **Jonathan Viner**, West Hollywood, CA (US); **Joshua Viner**, West Hollywood, CA (US); **Matthew Alfin**, West Hollywood, CA (US); **Zachary Rapoport**, Northridge, CA (US); **Samuel Ach**, Portland, OR (US)

U.S. PATENT DOCUMENTS

D242,913 S * 1/1977 Petty D12/186
4,052,522 A * 10/1977 Narita B62B 9/16
428/31
D325,367 S * 4/1992 Cottel D12/186
5,868,411 A * 2/1999 Dymeck B62J 15/00
280/152.1

(Continued)

OTHER PUBLICATIONS

“City of Santa Monica Shared Mobility Pilot Program .” SMGOV.net., Apr. 12, 2021 [online], [retrieved on Nov. 17, 2021]. Retrieved from the Internet <URL: <https://www.smgov.net/uploadedFiles/Departments/PCD/Transportation/Wheels%20-%20Santa%20Monica%20Shared%20Mobility%20Pilot%20Program%20A>>.*

(Continued)

Primary Examiner — Darlington Ly
(74) *Attorney, Agent, or Firm* — Schwegman Lundberg & Woessner, P.A.

(73) Assignee: **JJC IMPORTS, LLC**, West Hollywood, CA (US)

(57) **CLAIM**

The ornamental design for a fender with a helmet mount, as shown and described.

(**) Term: **15 Years**

(21) Appl. No.: **29/716,187**

DESCRIPTION

(22) Filed: **Dec. 6, 2019**

(51) **LOC (13) Cl.** **12-11**

(52) **U.S. Cl.**
USPC **D12/186; D12/110; D12/126**

(58) **Field of Classification Search**
USPC **D12/110, 114, 126, 182, 184, 186**
CPC ... **B62J 17/00; B62J 17/02; B62J 17/04; B62J 23/00; B62K 11/00; B62K 11/02; B62K 11/04**

FIG. 1 is a front elevation view of a fender with helmet mount embodying our new design;
FIG. 2 is a rear elevation view thereof;
FIG. 3 is a left side elevation view thereof;
FIG. 4 is a right side elevation view thereof;
FIG. 5 is a top plan view thereof;
FIG. 6 is a bottom plan view thereof;
FIG. 7 is a top, front, and left side perspective view thereof;
FIG. 8 is a bottom, front, and right side perspective view thereof;

(Continued)

See application file for complete search history.

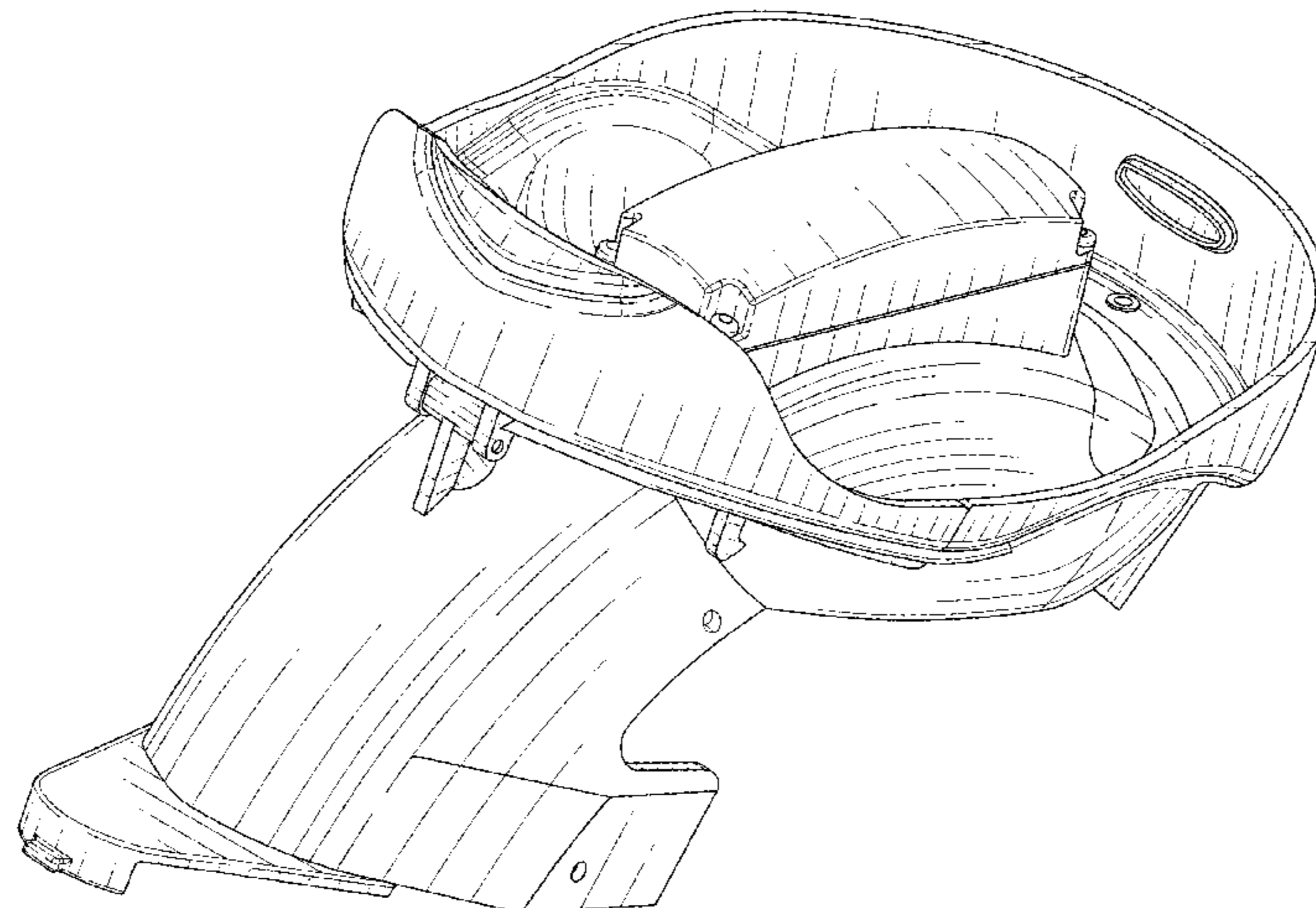


FIG. 9 is a bottom, rear, and right side perspective view thereof; and,
 FIG. 10 is a top, rear, and left side perspective view thereof.

1 Claim, 9 Drawing Sheets

(56)

References Cited

U.S. PATENT DOCUMENTS

D409,539 S *	5/1999	Hanlon	D12/186
D409,964 S *	5/1999	Hanlon	D12/186
6,257,362 B1 *	7/2001	Scherbarth	B62J 15/02 180/219
D456,329 S *	4/2002	Thomas	D12/186
D461,150 S *	8/2002	Myers	D12/186
D482,304 S *	11/2003	Song	D12/186
D499,994 S *	12/2004	Sugimoto	D12/186
D514,487 S *	2/2006	Asao	D12/186
D551,142 S *	9/2007	Simpson	D12/186
D581,845 S *	12/2008	Longpre	D12/107

D612,781 S *	3/2010	Harrell, Jr.	D12/186
D617,703 S *	6/2010	Ilmberger	D12/186
D627,283 S *	11/2010	Ilmberger	D12/186
D635,496 S *	4/2011	Serbinski	D12/186
7,976,041 B2 *	7/2011	Chuang	B62J 15/02 280/152.1
D813,768 S *	3/2018	Serotta	D12/186
D866,404 S *	11/2019	Spagnotti	D12/114
D867,248 S *	11/2019	Li	D12/186
D924,102 S *	7/2021	Avery	D12/111
D929,916 S *	9/2021	Kentley-Klay	D12/184
D935,967 S *	11/2021	Ying	D12/186
2012/0038127 A1 *	2/2012	Bybee	B62J 15/02 280/152.1
2020/0297059 A1 *	9/2020	Viner	B62J 27/00
2020/0298925 A1 *	9/2020	Viner	A42B 3/006

OTHER PUBLICATIONS

“European Union Application Serial No. 007980537-0002, Office Action dated Jun. 12, 2020”, 7 pgs.

* cited by examiner

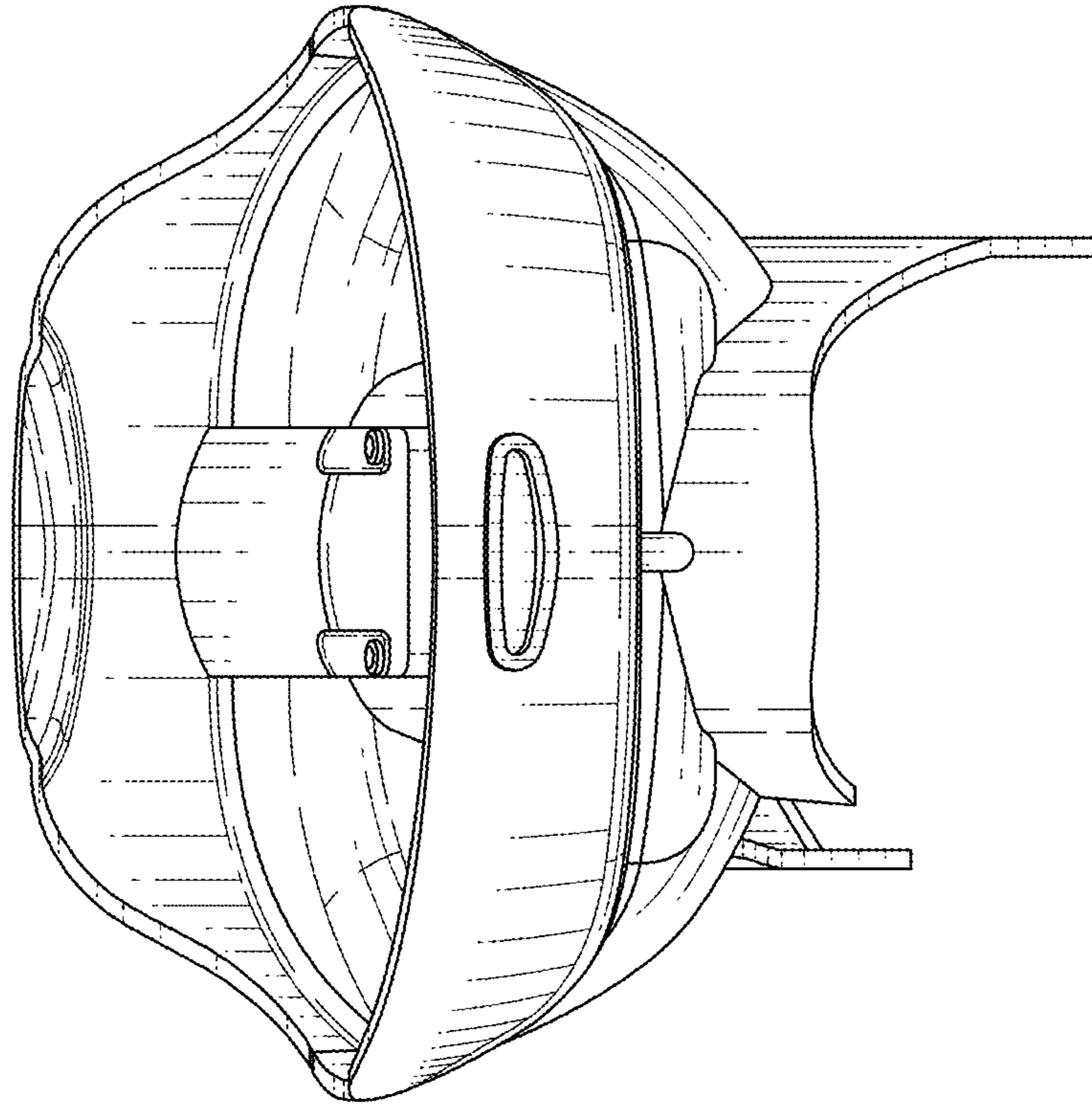


FIG. 2

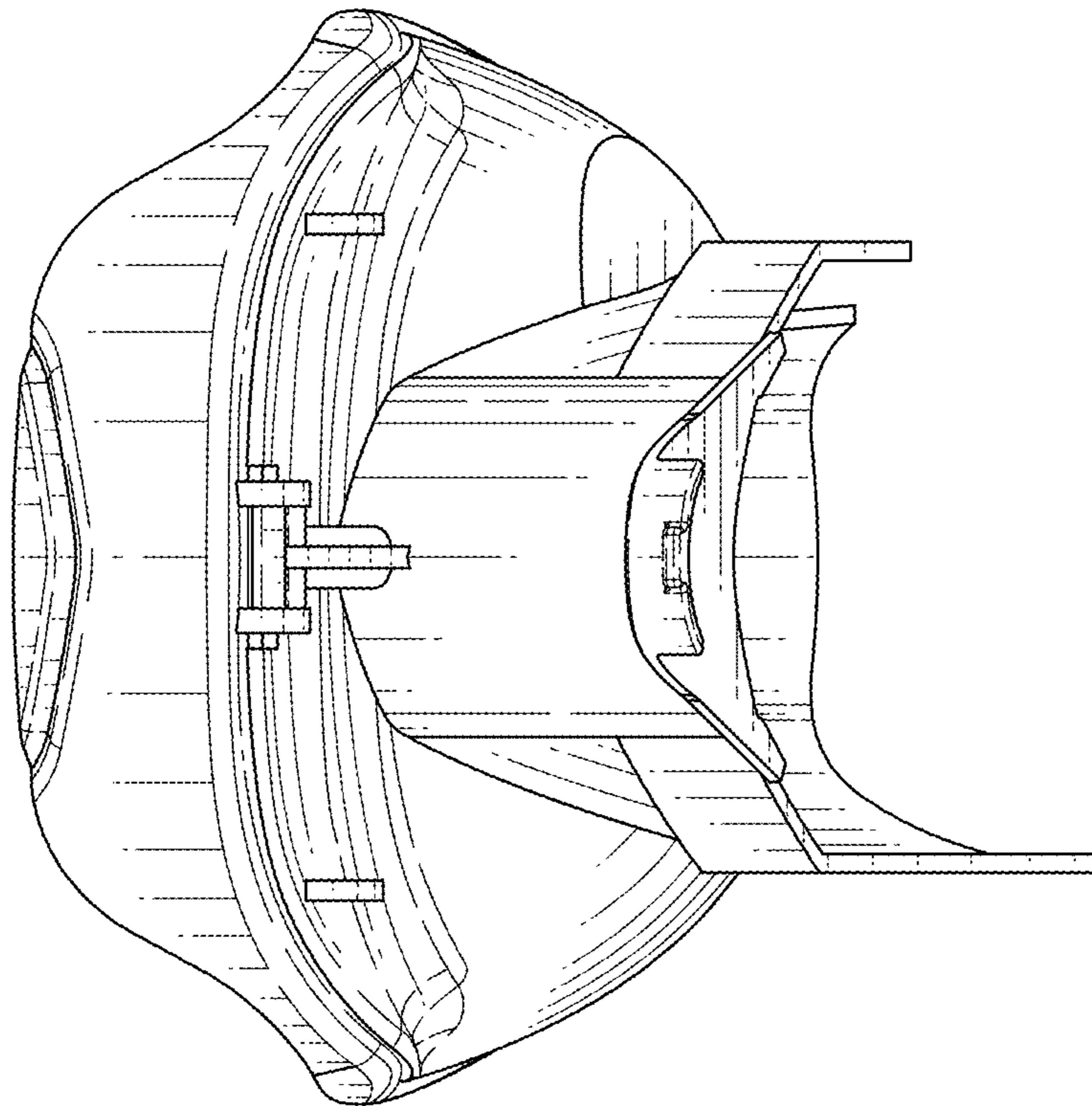


FIG. 1

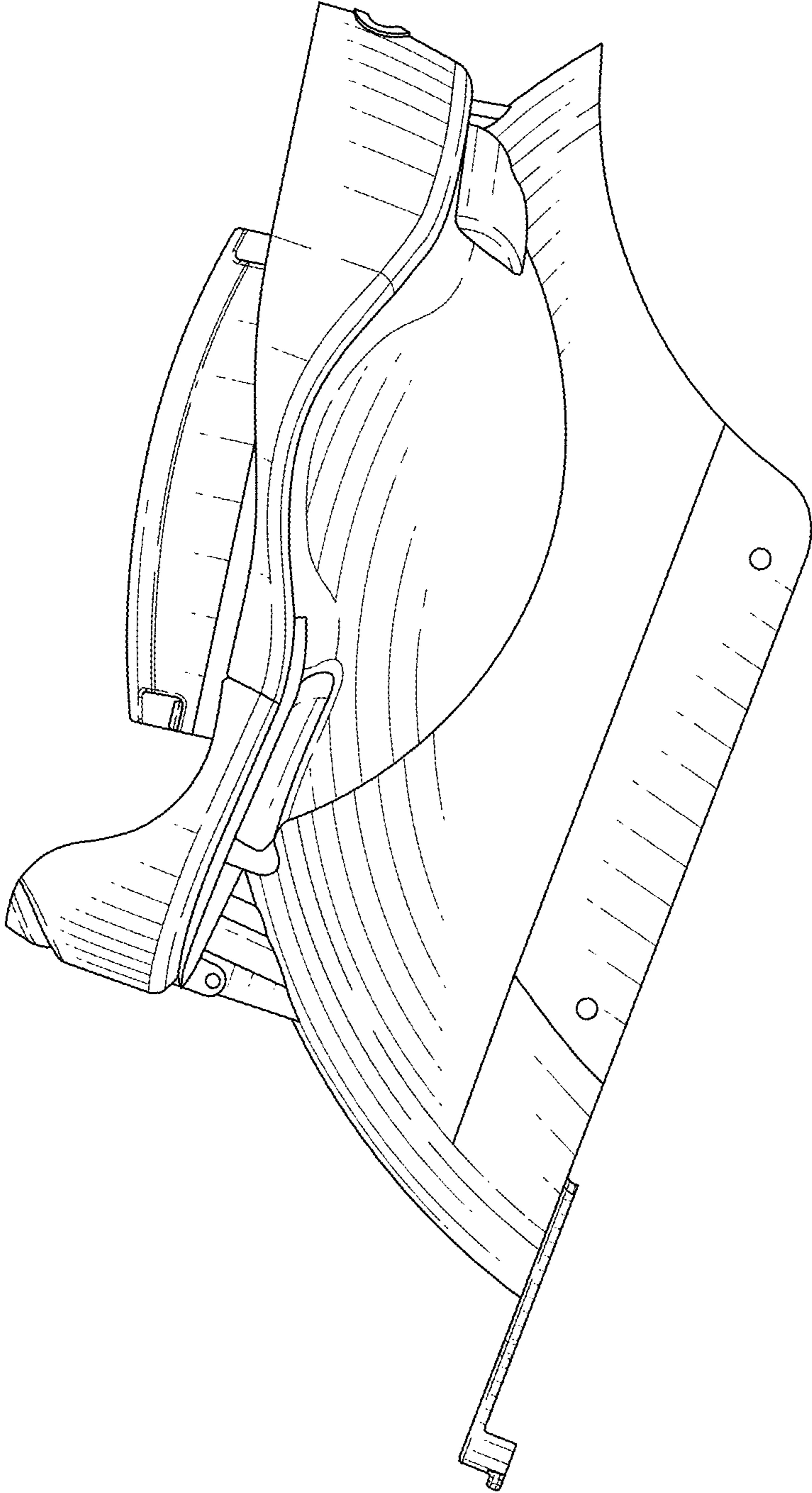


FIG. 3

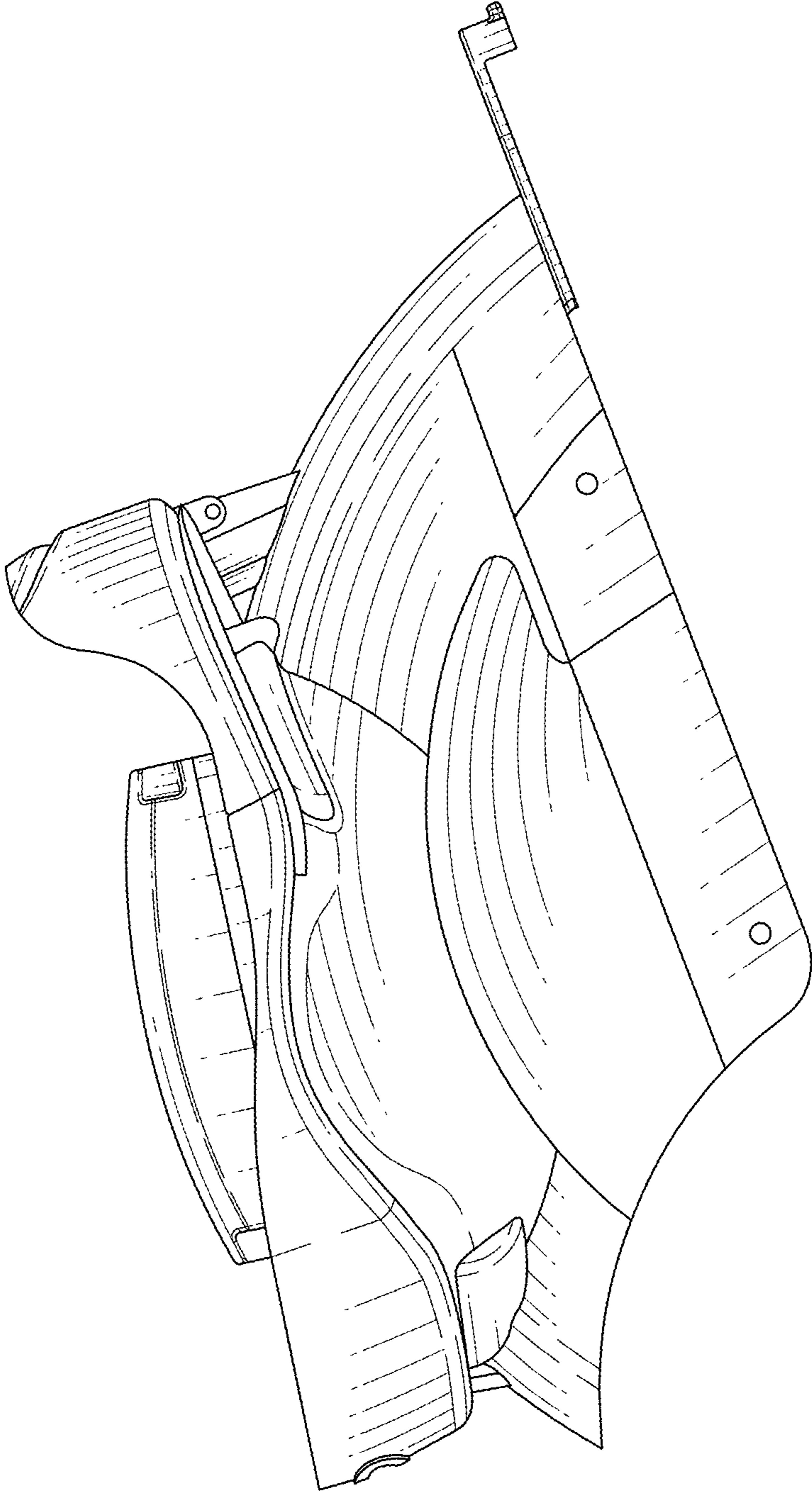


FIG. 4

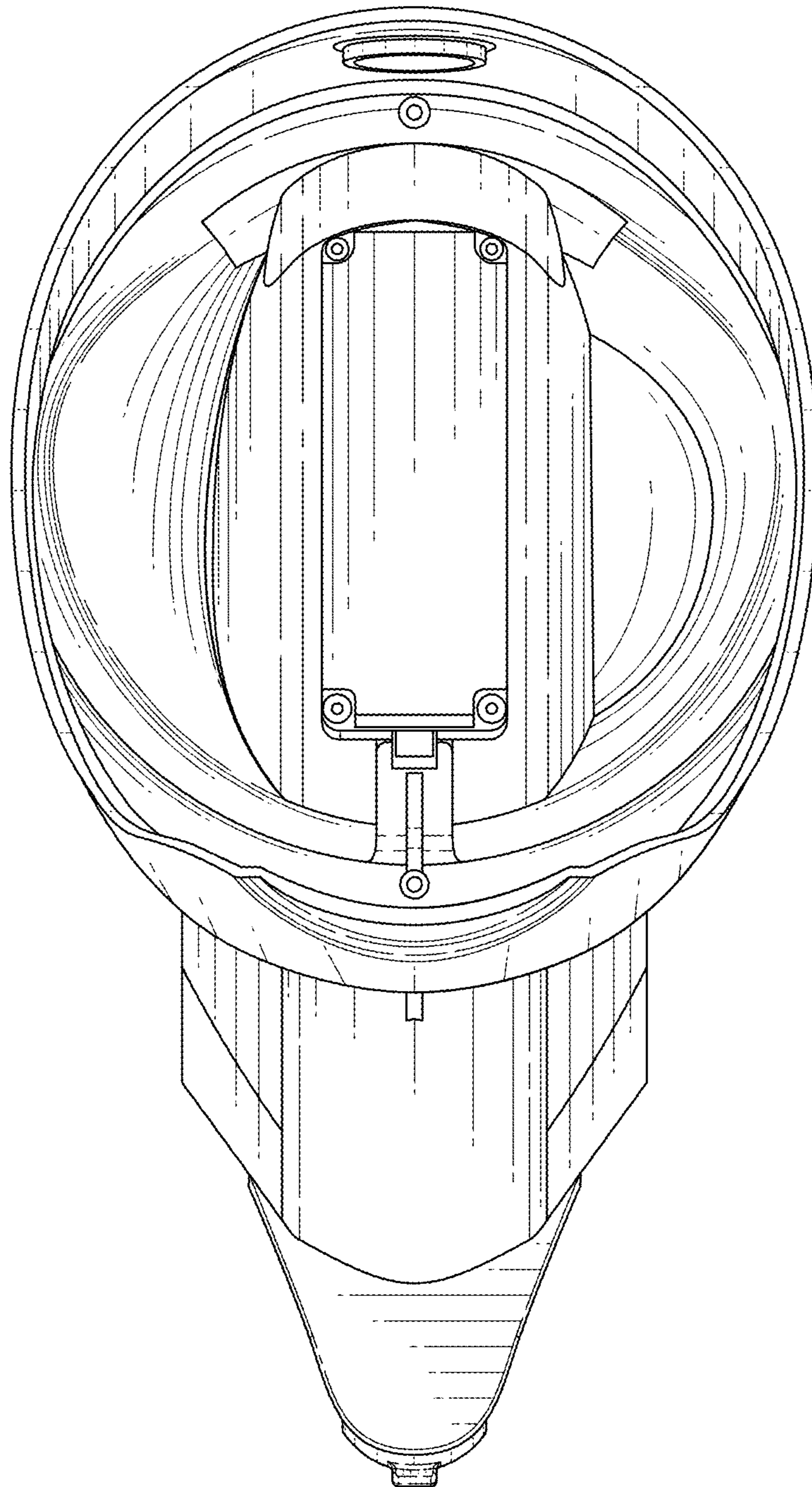


FIG. 5

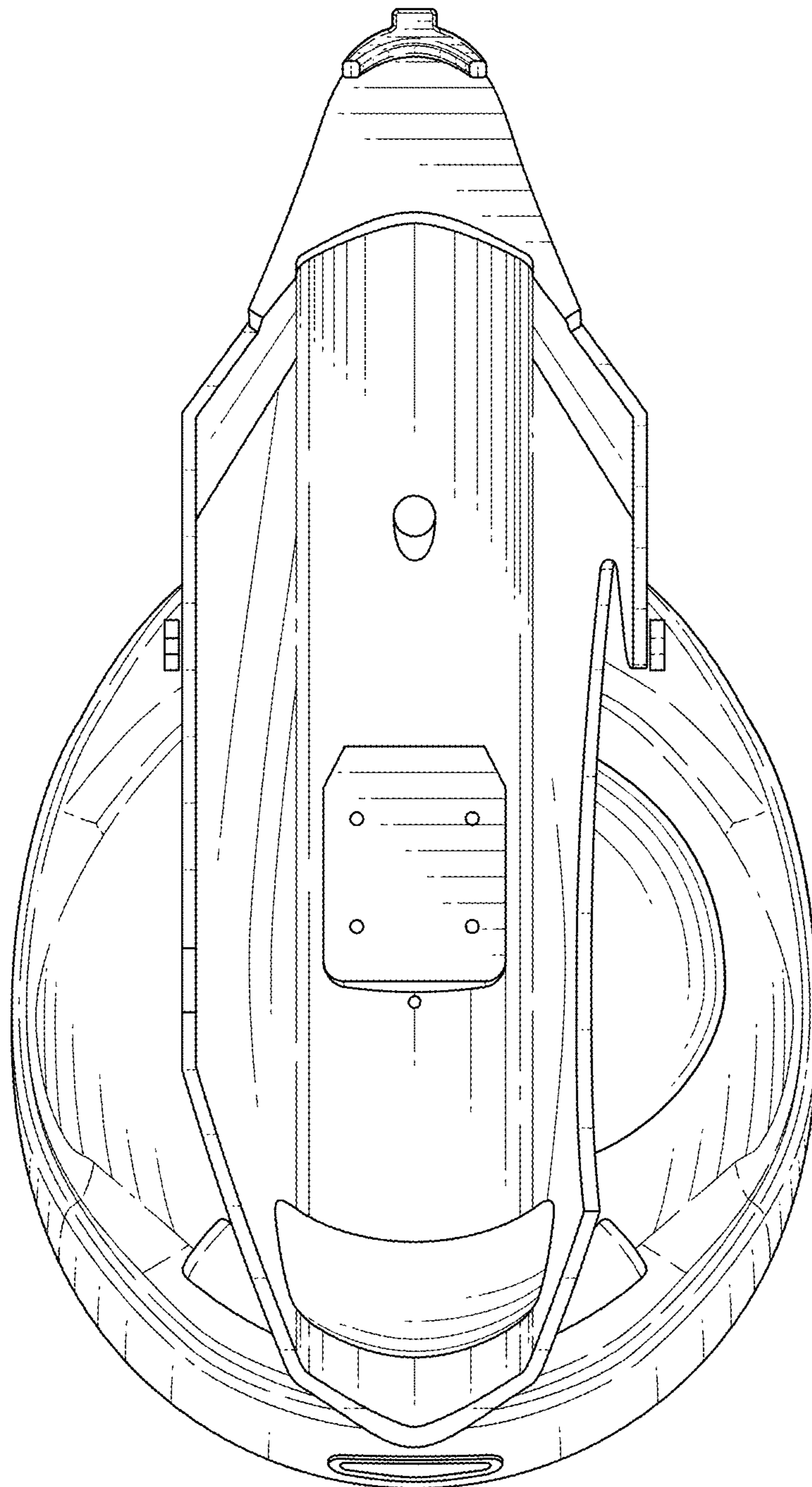


FIG. 6

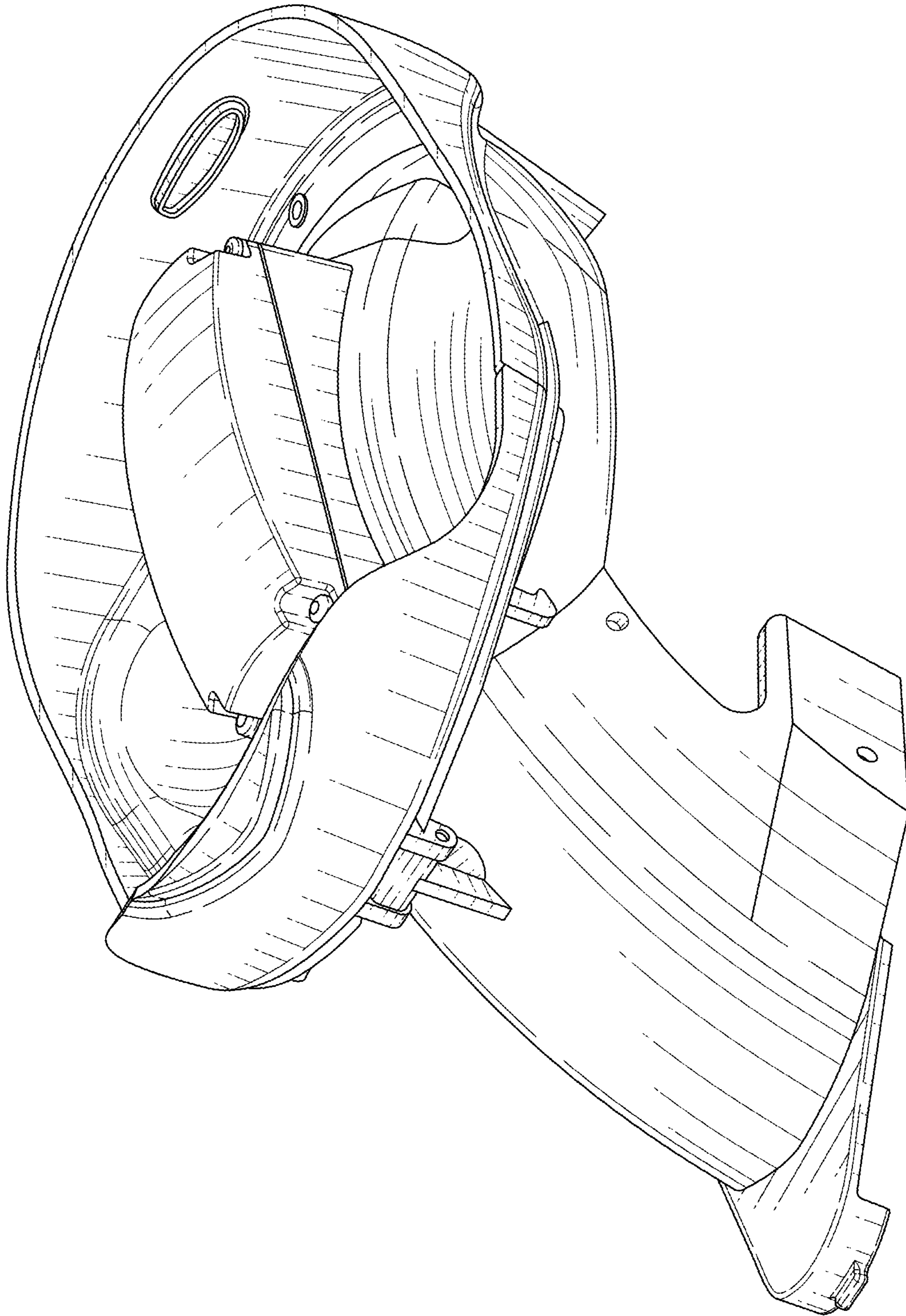


FIG. 7

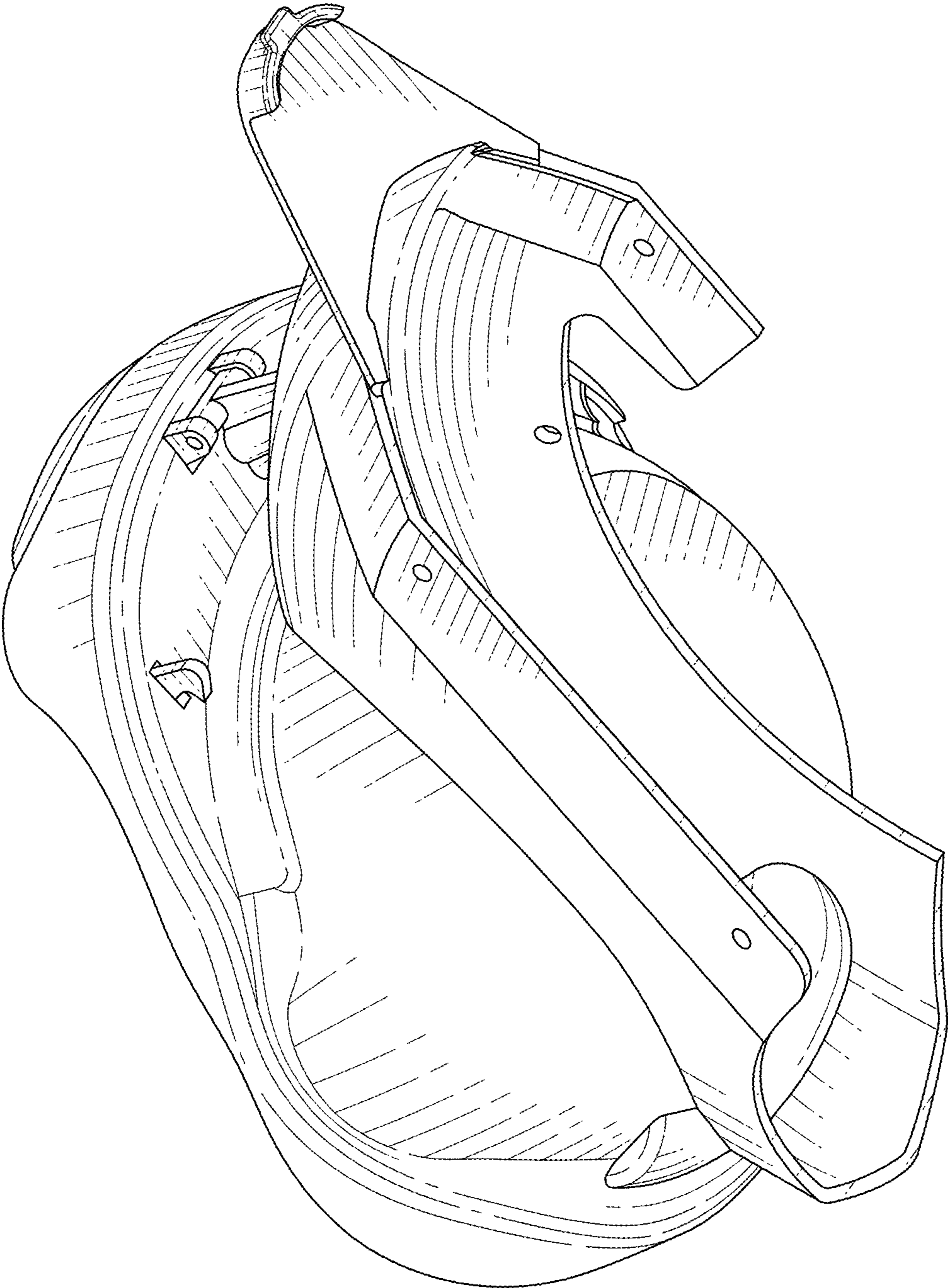


FIG. 8

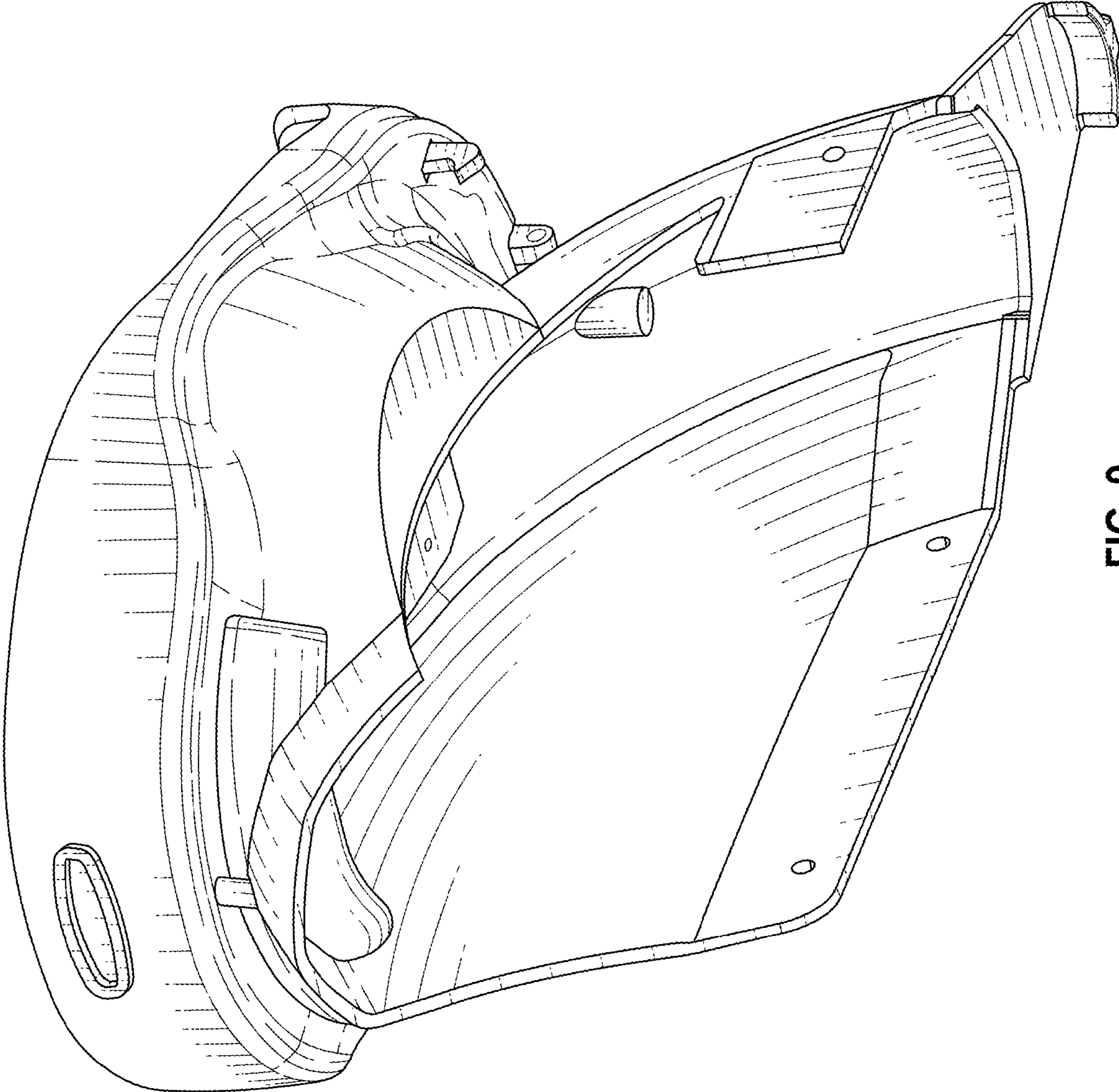


FIG. 9

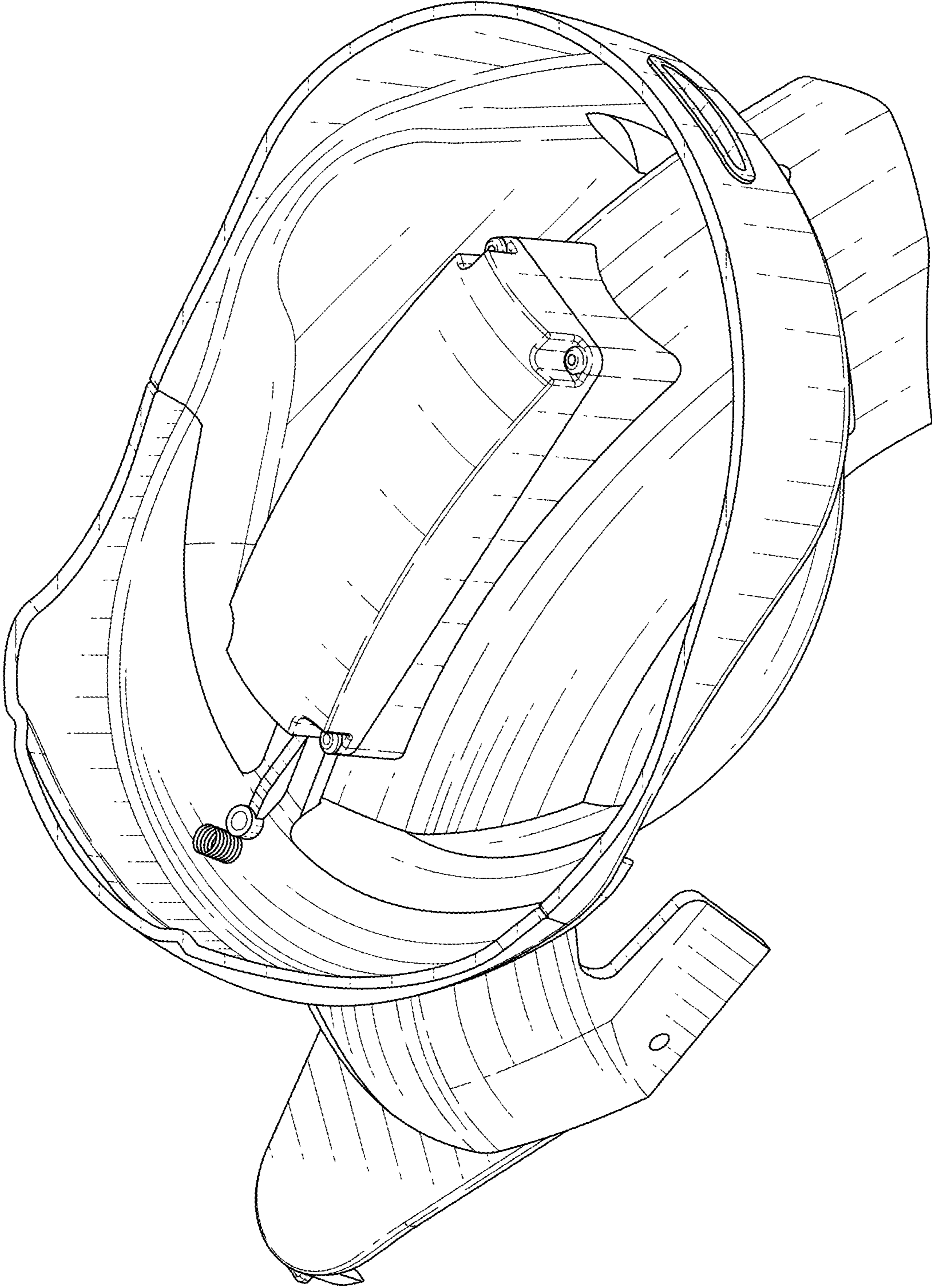


FIG. 10