

US00D945936S

(12) **United States Design Patent** (10) **Patent No.:** **US D945,936 S**  
**Gu** (45) **Date of Patent:** **\*\* Mar. 15, 2022**

(54) **BICYCLE PEDAL**  
(71) Applicant: **Haidong Gu**, Pomona, CA (US)  
(72) Inventor: **Haidong Gu**, Pomona, CA (US)  
(73) Assignee: **CYCLINGDEAL USA, INC.**, Pomona, CA (US)  
(\*\*) Term: **15 Years**  
(21) Appl. No.: **29/767,158**  
(22) Filed: **Jan. 21, 2021**  
(51) **LOC (13) Cl.** ..... **12-11**  
(52) **U.S. Cl.**  
USPC ..... **D12/125**  
(58) **Field of Classification Search**  
USPC ..... D12/125; D21/663, 694, 768  
CPC ..... B62M 3/086; A43B 5/14; A43C 11/14  
See application file for complete search history.

D853,281 S \* 7/2019 Steen ..... D12/125  
10,427,753 B1 \* 10/2019 Monahan ..... B62M 3/083  
10,730,583 B2 \* 8/2020 Donahue ..... B62M 3/083  
D929,508 S \* 8/2021 Conaway ..... D21/662  
2002/0189395 A1 \* 12/2002 Vito ..... B62M 3/083  
74/594.6

**FOREIGN PATENT DOCUMENTS**

CN 202030762202.6 \* 5/2021

**OTHER PUBLICATIONS**

“CyclingDeal Bike Bicycle Toe Clips Cage Only” CyclingDeal, posted date Dec. 11, 2020 [online], [retrieved on Jan. 11, 2022]. Retrieved from the Internet <URL:https://www.amazon.com/CyclingDeal-Compatible-Peloton-Bike-Clips/dp/B08Q36BVS7> (Year: 2020).\*

(Continued)

*Primary Examiner* — Darlington Ly  
*Assistant Examiner* — Nasim Abdulaziz Ali

(57) **CLAIM**

The ornamental design for a bicycle pedal, as shown and described.

**DESCRIPTION**

FIG. 1 is a front-right-top perspective view of the bicycle pedal showing my new design;  
FIG. 2 is a front elevational view thereof;  
FIG. 3 is a rear front elevational view thereof;  
FIG. 4 is a left side elevational view thereof;  
FIG. 5 is a right side elevational view thereof;  
FIG. 6 is a top plan view thereof;  
FIG. 7 is a bottom plan view thereof; and,  
FIG. 8 is a perspective view from another angle of view thereof.

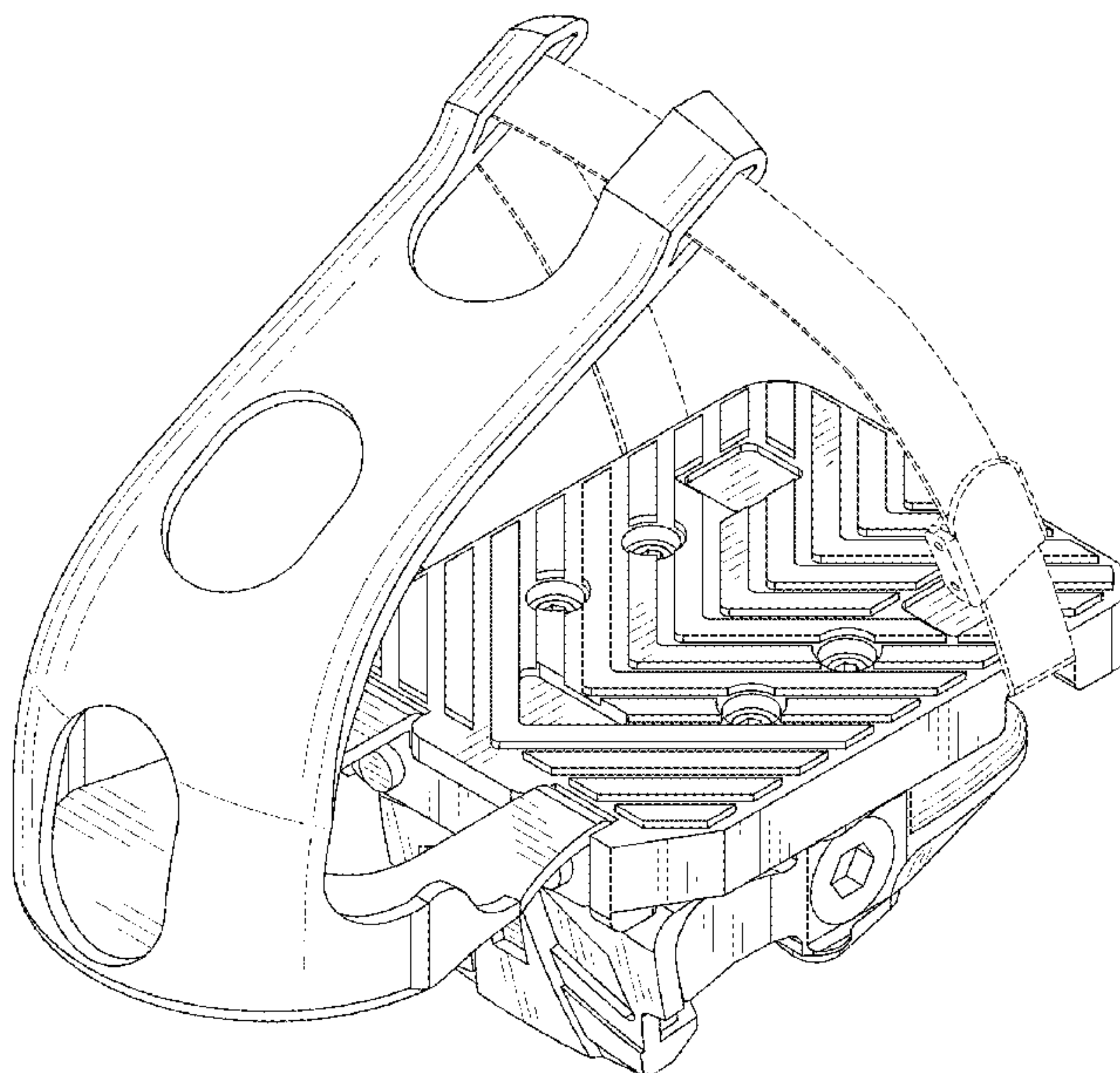
The broken lines in the drawings illustrate portions of the bicycle pedal which form no part of the claimed design.

**1 Claim, 8 Drawing Sheets**

(56) **References Cited**

**U.S. PATENT DOCUMENTS**

D275,846 S \* 10/1984 Buchanan, Jr. .... D12/125  
D302,259 S \* 7/1989 Konzorr ..... D12/125  
4,856,211 A \* 8/1989 Phillips ..... A43B 5/14  
36/131  
4,953,425 A \* 9/1990 Barefoot ..... B62M 3/083  
74/594.4  
D319,038 S \* 8/1991 St. John ..... D12/125  
5,078,026 A \* 1/1992 Giffin ..... B62M 3/083  
74/594.4  
D324,838 S \* 3/1992 Briscadieu ..... 74/594.4  
D595,620 S \* 7/2009 Kingsbury ..... D12/125  
D615,285 S \* 5/2010 Martin ..... D2/946  
7,938,040 B2 \* 5/2011 Deng ..... B62M 3/08  
74/594.6  
D691,071 S \* 10/2013 Deng ..... D12/125  
D721,619 S \* 1/2015 Armstrong ..... D12/125  
D739,313 S \* 9/2015 Chen ..... D12/125



(56)

**References Cited**

OTHER PUBLICATIONS

“Venzo Bike Bicycle Toe Clips Cage” Venzo, posted date Dec. 19, 2021 [online], [retrieved on Jan. 11, 2022]. Retrieved from the Internet <URL:<https://www.amazon.com/Venzo-Bicycle-Indoor-Exercise-Adapters/dp/B09N6S2PJS?th=1>> (Year: 2021).\*

“Crostice Toe Cages for Peloton Bike” Crostice, posted date Aug. 31, 2021 [online], [retrieved on Jan. 11, 2022]. Retrieved from the Internet <URL:[https://www.amazon.com/Crostice-Peloton-Adapters-Function-Accessories/dp/B09F2V54JB/ref=sr\\_1\\_22\\_sspa?crid=1CKWIP8PHBX0L&keywords=p%E2%80%A6](https://www.amazon.com/Crostice-Peloton-Adapters-Function-Accessories/dp/B09F2V54JB/ref=sr_1_22_sspa?crid=1CKWIP8PHBX0L&keywords=p%E2%80%A6)> (Year: 2021).\*

“OursGym Premium Quality Training Bike Pedals Mountain Bike Pedals” OursGym, posted date Jun. 3, 2019 [online], [retrieved on Jan. 11, 2022]. Retrieved from the Internet <URL:<https://www.amazon.com/OursGym-Premium-Quality-Training-Mountain/dp/B07PDLZN4F?th=1>> (Year: 2019).\*

\* cited by examiner

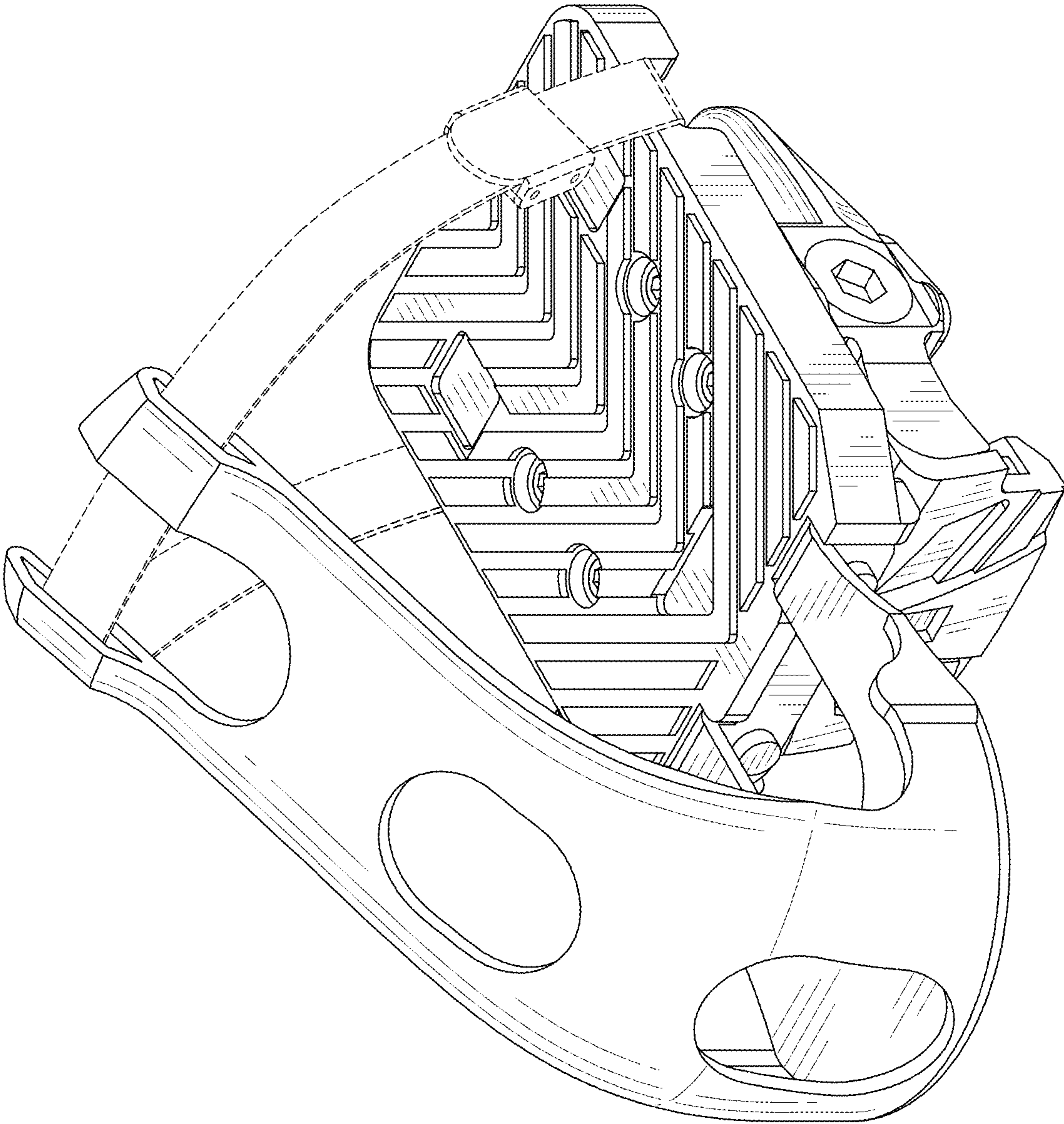


FIG.1

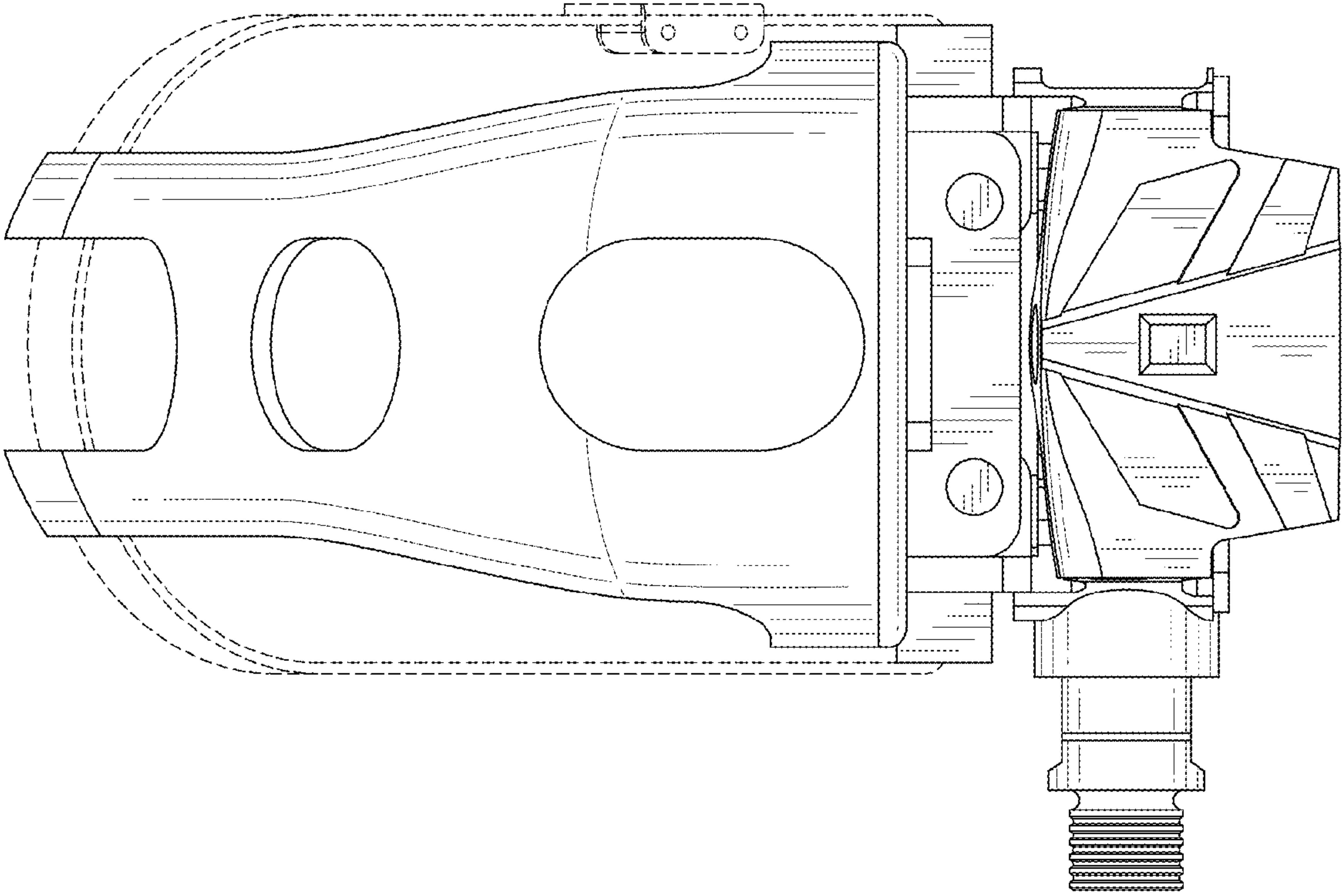


FIG.2



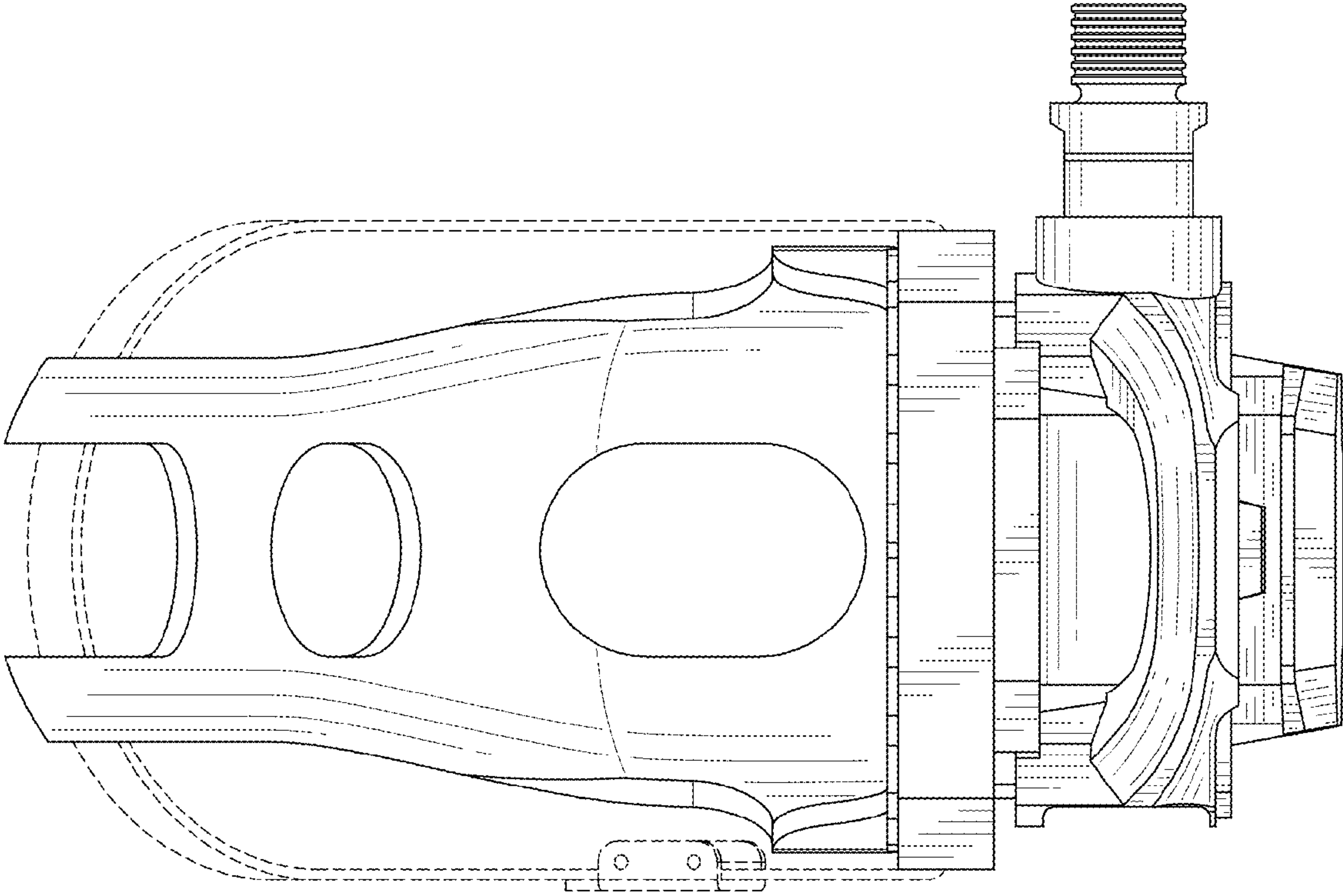


FIG.3

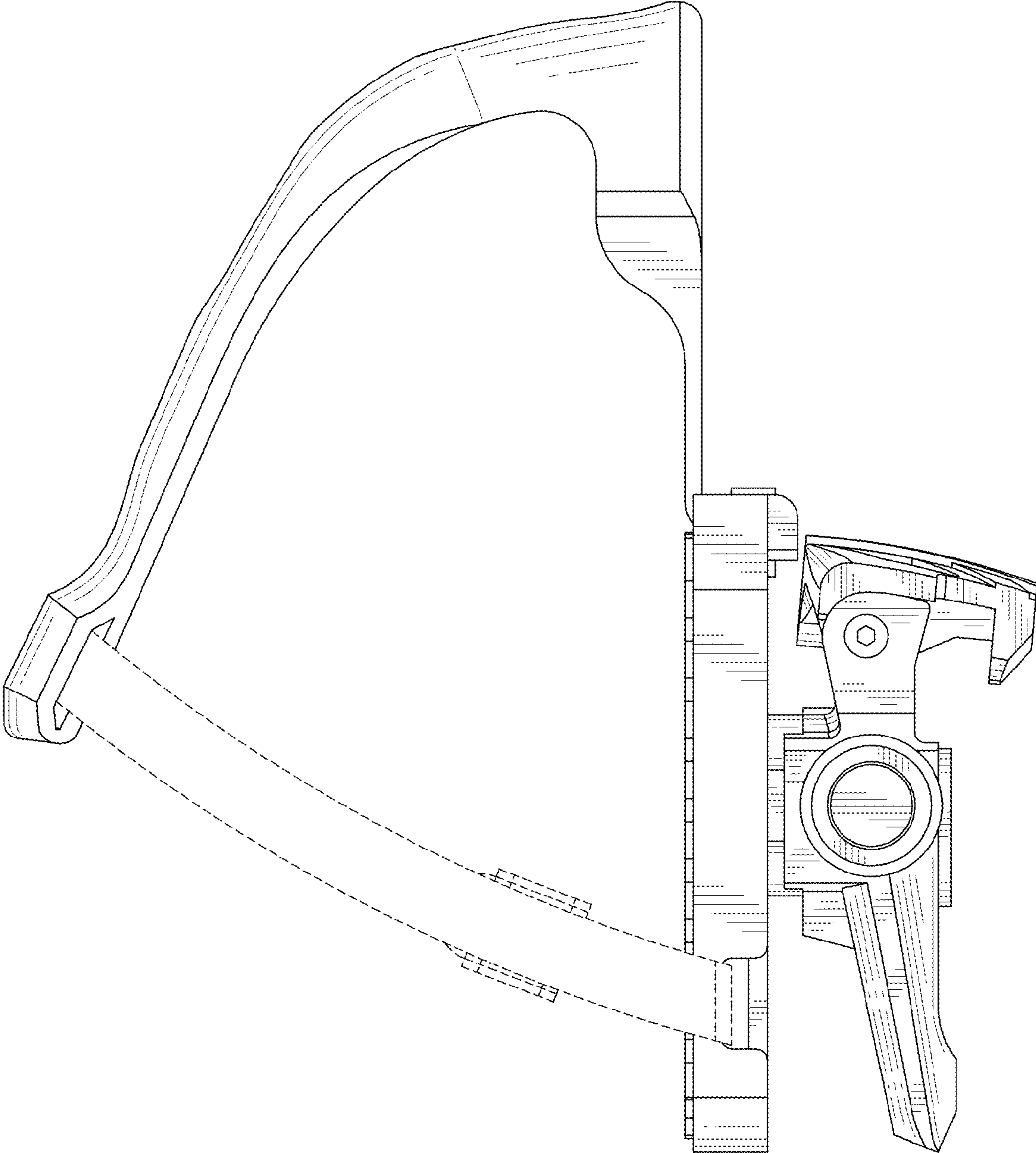


FIG.4

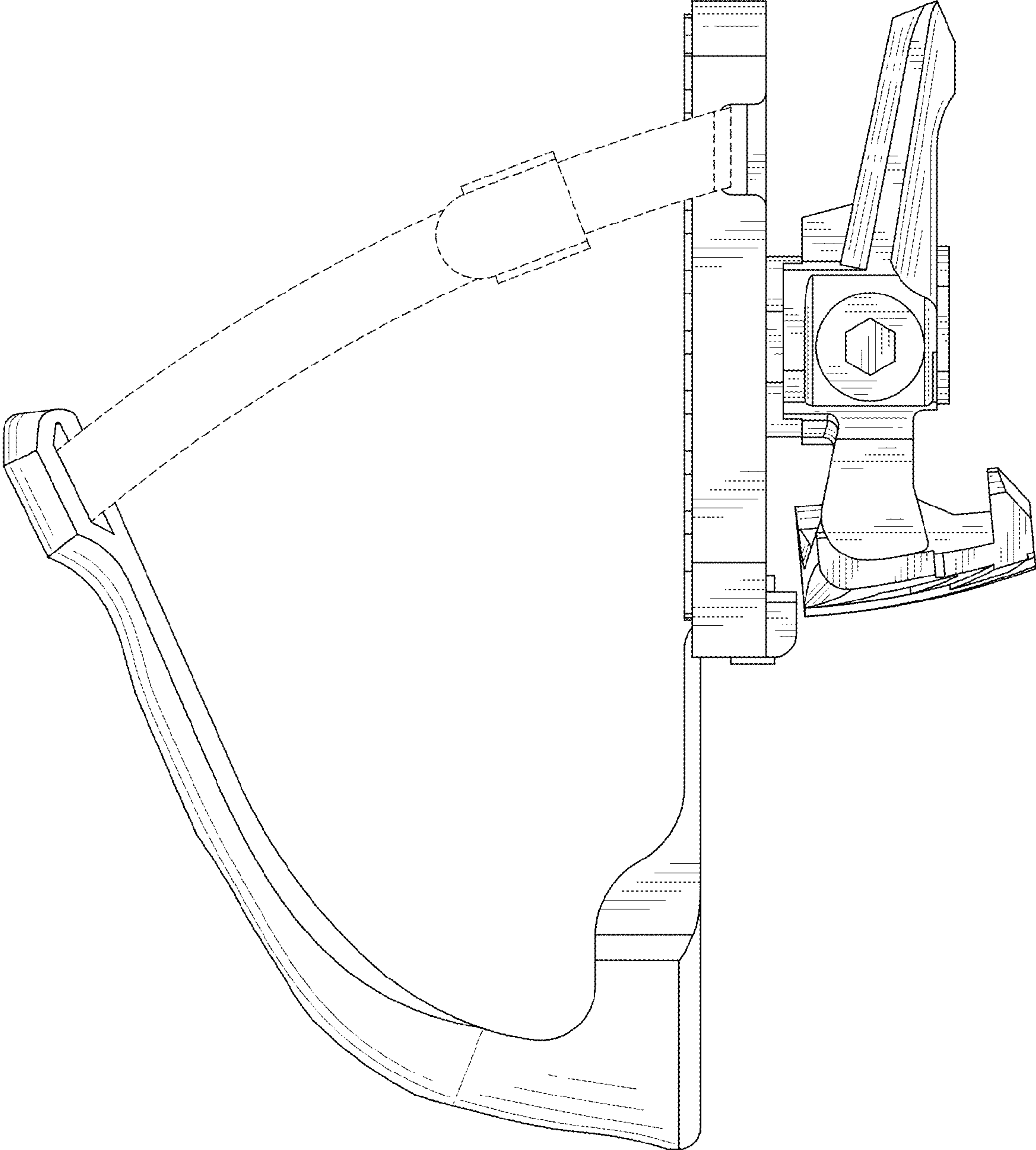


FIG.5

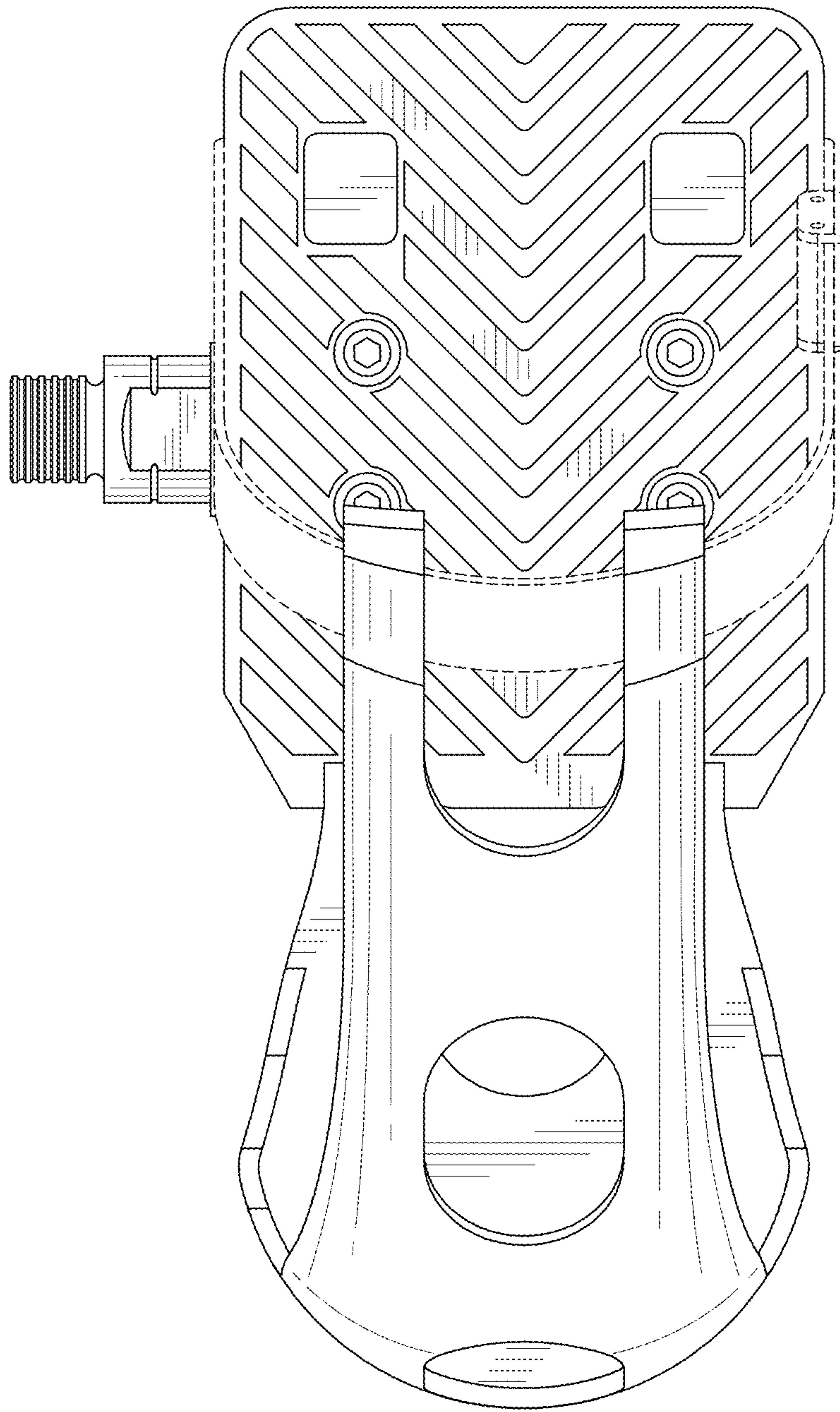


FIG.6



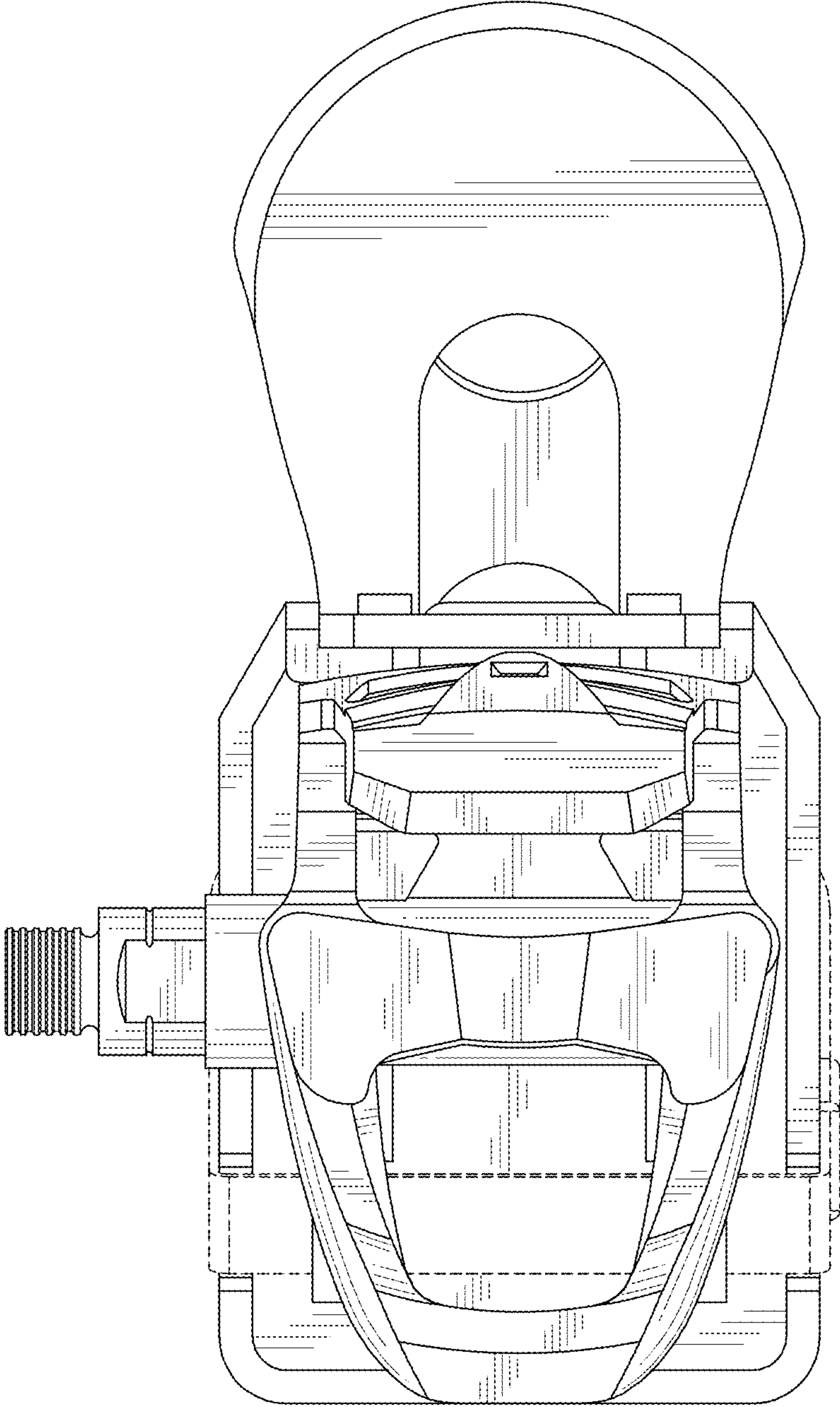


FIG.7

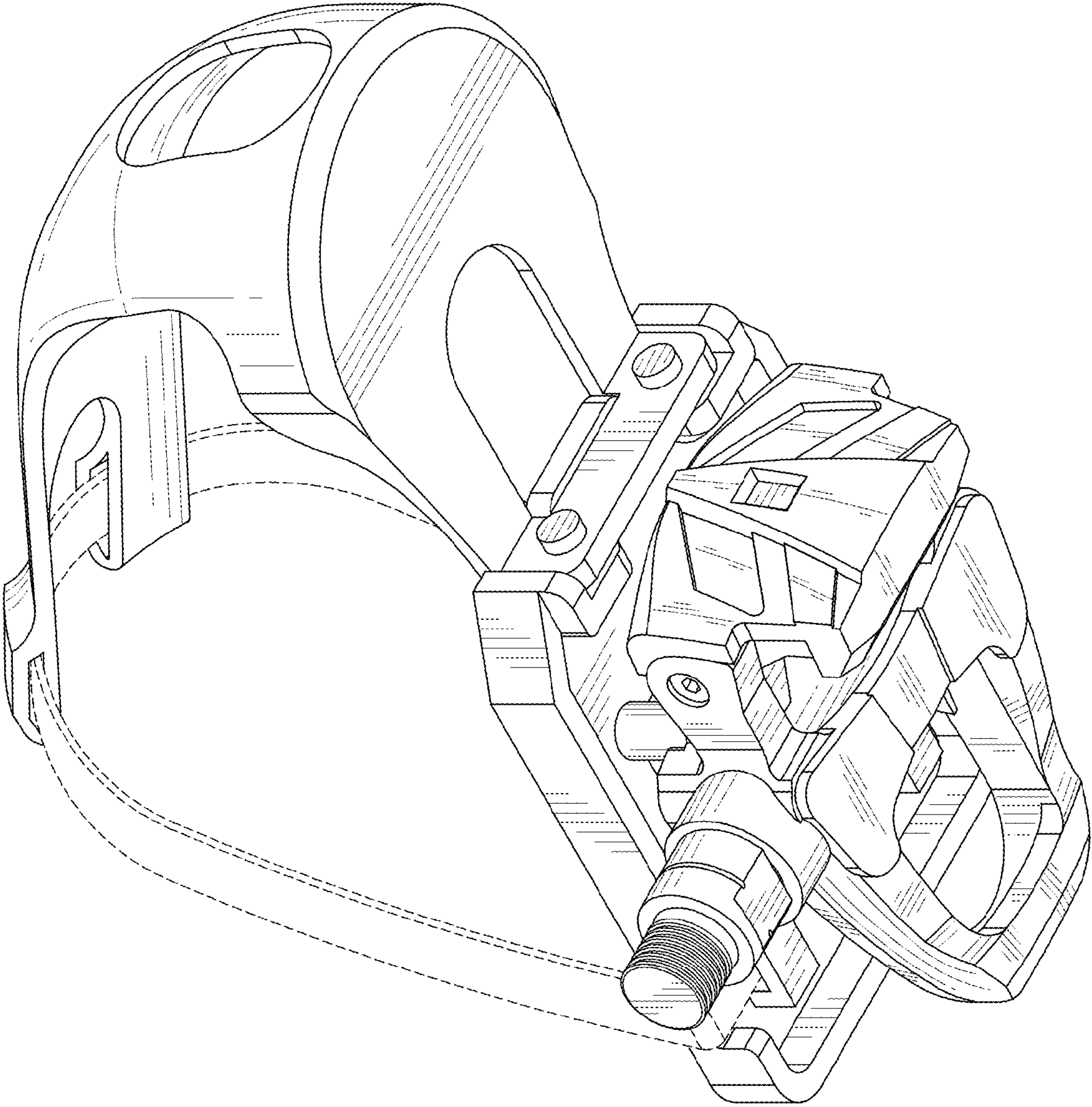


FIG. 8