



US00D945935S

(12) **United States Design Patent** (10) **Patent No.:** **US D945,935 S**
Daniel (45) **Date of Patent:** **** Mar. 15, 2022**

(54) **BICYCLE FRAME**
(71) Applicant: **Timothy Daniel**, Hampton, VA (US)
(72) Inventor: **Timothy Daniel**, Hampton, VA (US)
(**) Term: **15 Years**
(21) Appl. No.: **29/735,227**
(22) Filed: **May 19, 2020**
(51) **LOC (13) Cl.** **12-11**
(52) **U.S. Cl.**
USPC **D12/111**
(58) **Field of Classification Search**
USPC D12/111, 117, 412, 414, 419, 423-428;
D21/423-428, 431-435
CPC B62K 3/00; B62K 3/02; B62K 3/06
See application file for complete search history.

2010/0237582 A1 9/2010 Belenkov
2013/0334789 A1 12/2013 Ingram
2017/0021885 A1 1/2017 Montague
2019/0152553 A1* 5/2019 Daniel B62M 9/00

FOREIGN PATENT DOCUMENTS

WO WO2004024545 3/2004

OTHER PUBLICATIONS

“Strada Archived Recumbent Bike” Bacchetta., posted date Mar. 3, 2008 [online], [retrieved on Dec. 2, 2021]. Retrieved from the Internet <URL:https://bacchettabikes.com/recumbent-bike-fitting/> (Year: 2008).*

(Continued)

Primary Examiner — Darlington Ly
Assistant Examiner — Nasim Abdulaziz Ali

(57) **CLAIM**

The ornamental design for a bicycle frame, as shown and described.

DESCRIPTION

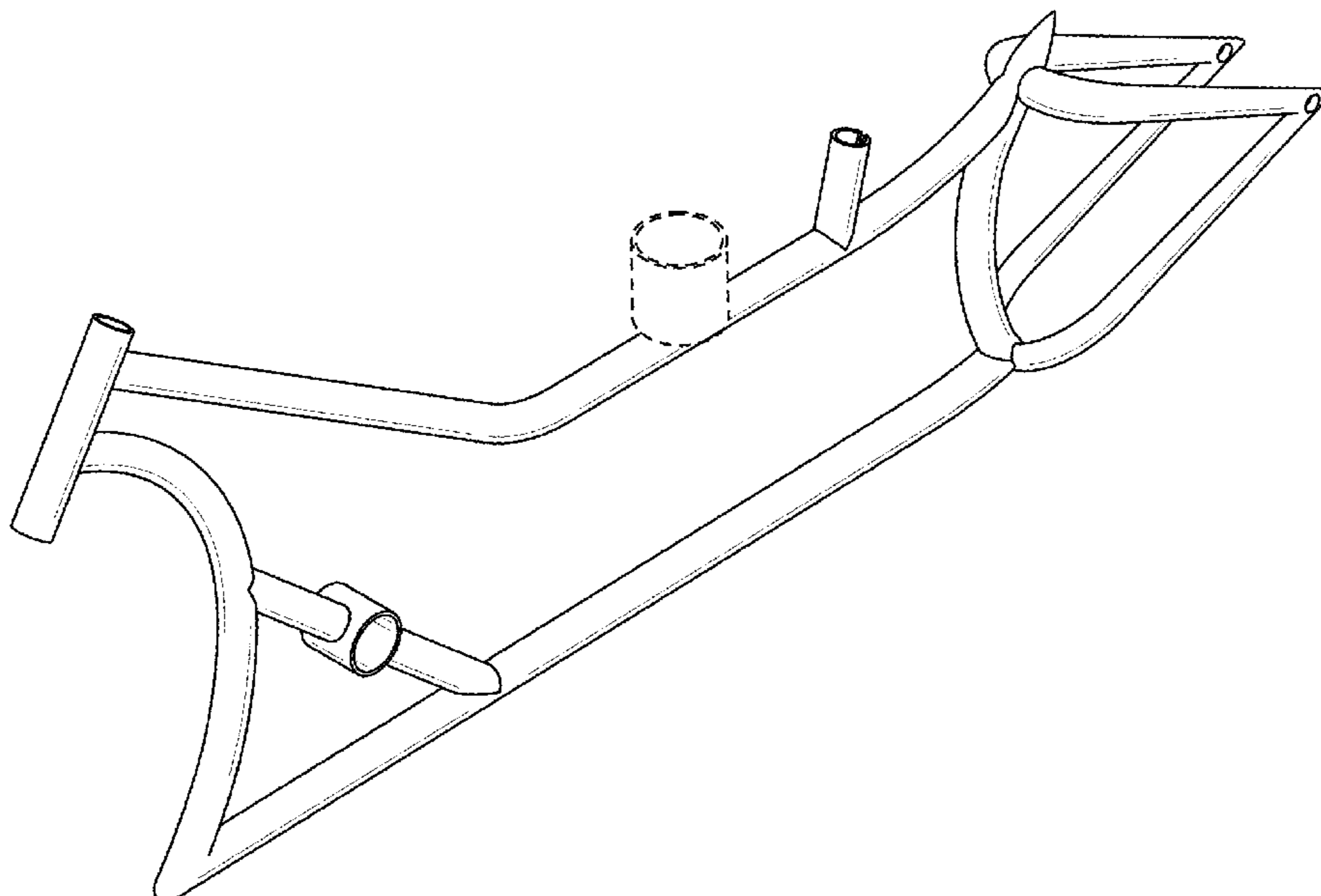
FIG. 1 is a left side elevation view of a bicycle frame showing my new design;
FIG. 2 is a right side elevation view thereof;
FIG. 3 is a front elevation view thereof;
FIG. 4 is a rear elevation view thereof;
FIG. 5 is a top plan view thereof;
FIG. 6 is a bottom plan view thereof;
FIG. 7 is a top, front, and left side perspective view thereof; and,
FIG. 8 is a front elevation view thereof, as part of an exemplary bicycle.
The broken lines in the drawings illustrate portions of the bicycle frame and an environmental bicycle that do not form part of the claimed design.

(56) **References Cited**

U.S. PATENT DOCUMENTS

5,509,678 A 4/1996 Ullman et al.
D369,574 S * 5/1996 Clarke D12/111
D392,602 S * 3/1998 Silva D12/111
D392,603 S * 3/1998 Quick D12/111
5,853,062 A 12/1998 Hulett
5,992,870 A 11/1999 LaRiviere
D467,203 S * 12/2002 Potter D12/111
6,527,291 B1 3/2003 Hurtig
6,585,278 B1 * 7/2003 Cerqua B62K 3/005
280/284
D522,411 S * 6/2006 Comair D12/111
D522,412 S * 6/2006 Bethlenfalvy D12/111
D524,698 S * 7/2006 Comair D12/111
D533,811 S * 12/2006 Hoisington D12/111
D533,812 S * 12/2006 Hoisington D12/111
7,654,549 B2 2/2010 Hutson
8,067,848 B1 11/2011 Vilsaint
8,678,412 B1 3/2014 Oliveras, Jr. et al.
D910,496 S * 2/2021 Zhu D12/111

1 Claim, 6 Drawing Sheets



(56)

References Cited

OTHER PUBLICATIONS

“EZ-Sport CX” SunSeeker., posted date Feb. 21, 2021 [online], [retrieved on Dec. 2, 2021]. Retrieved from the Internet <URL:<https://www.sunseeker.bike/index.php/products/ez-sport-cx/>> (Year: 2021).*

“Carbon Recumbent Bike” Performer Cycles., posted date Mar. 22, 2018 [online], [retrieved on Dec. 2, 2021]. Retrieved from the Internet <URL:<https://www.performercycles.com/recumbent-bikes/carbon-recumbent-bike-fiber/>> (Year: 2018).*

* cited by examiner

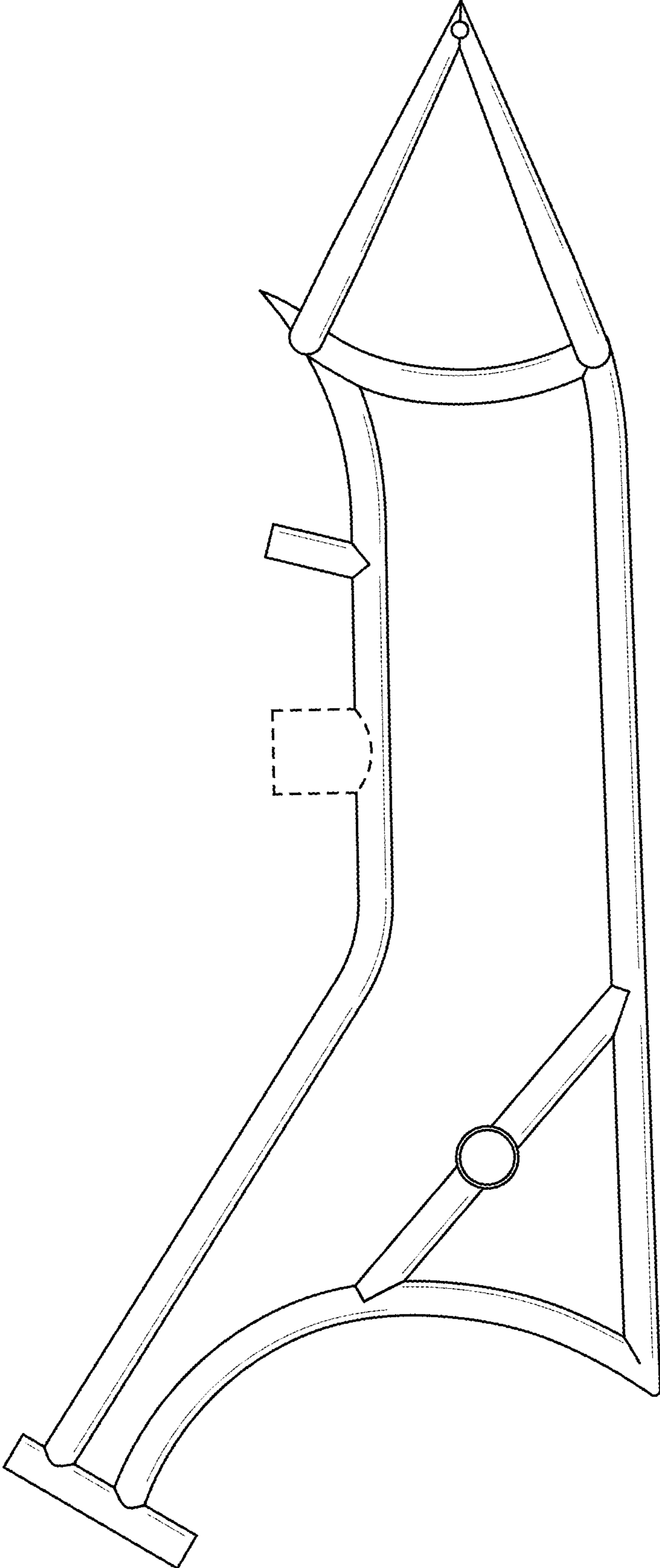


FIG. 1

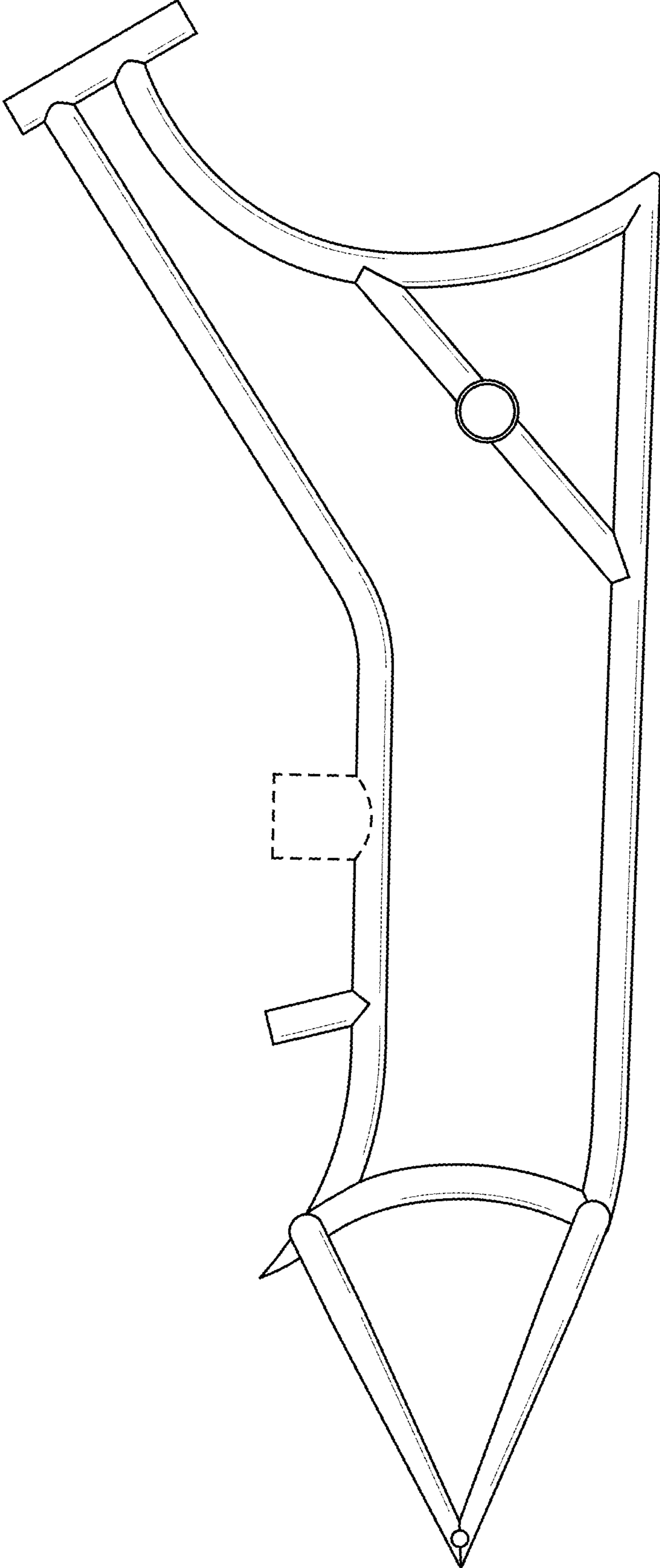


FIG. 2

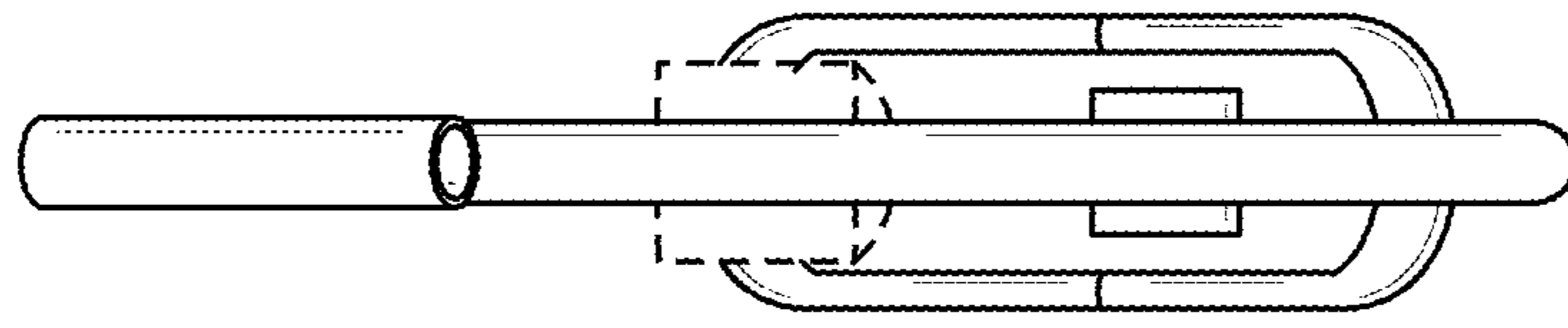


FIG. 4

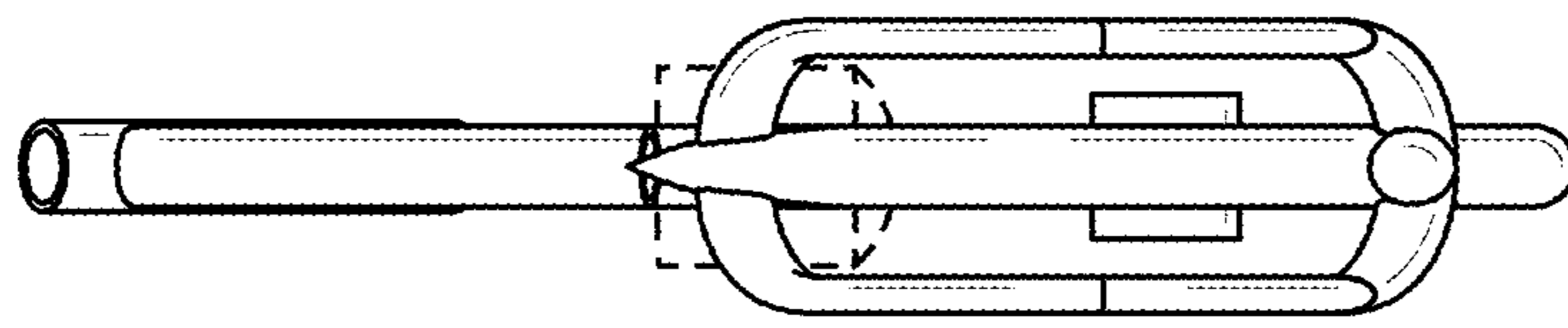


FIG. 3

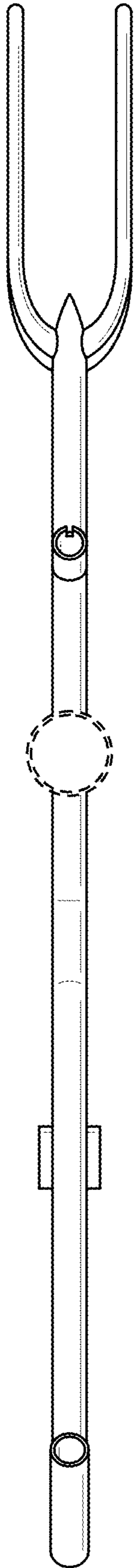


FIG. 5

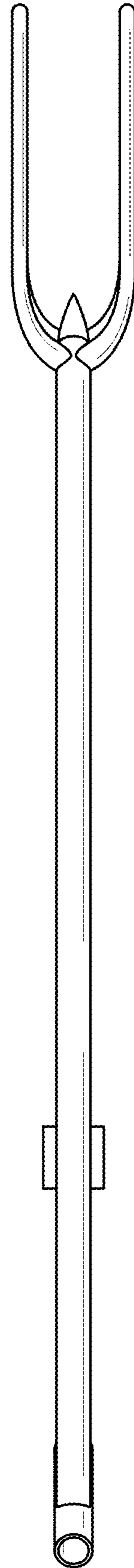


FIG. 6

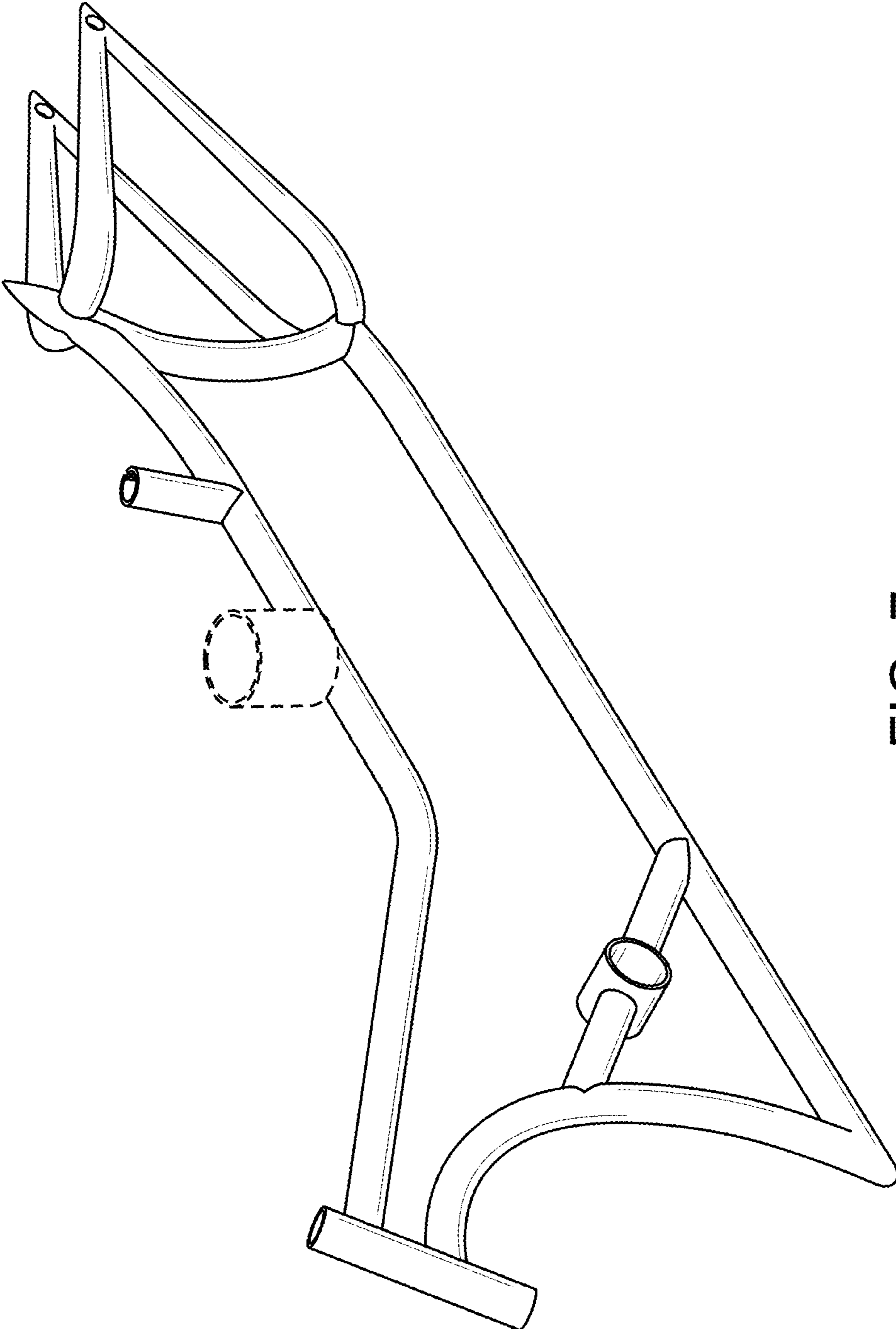


FIG. 7

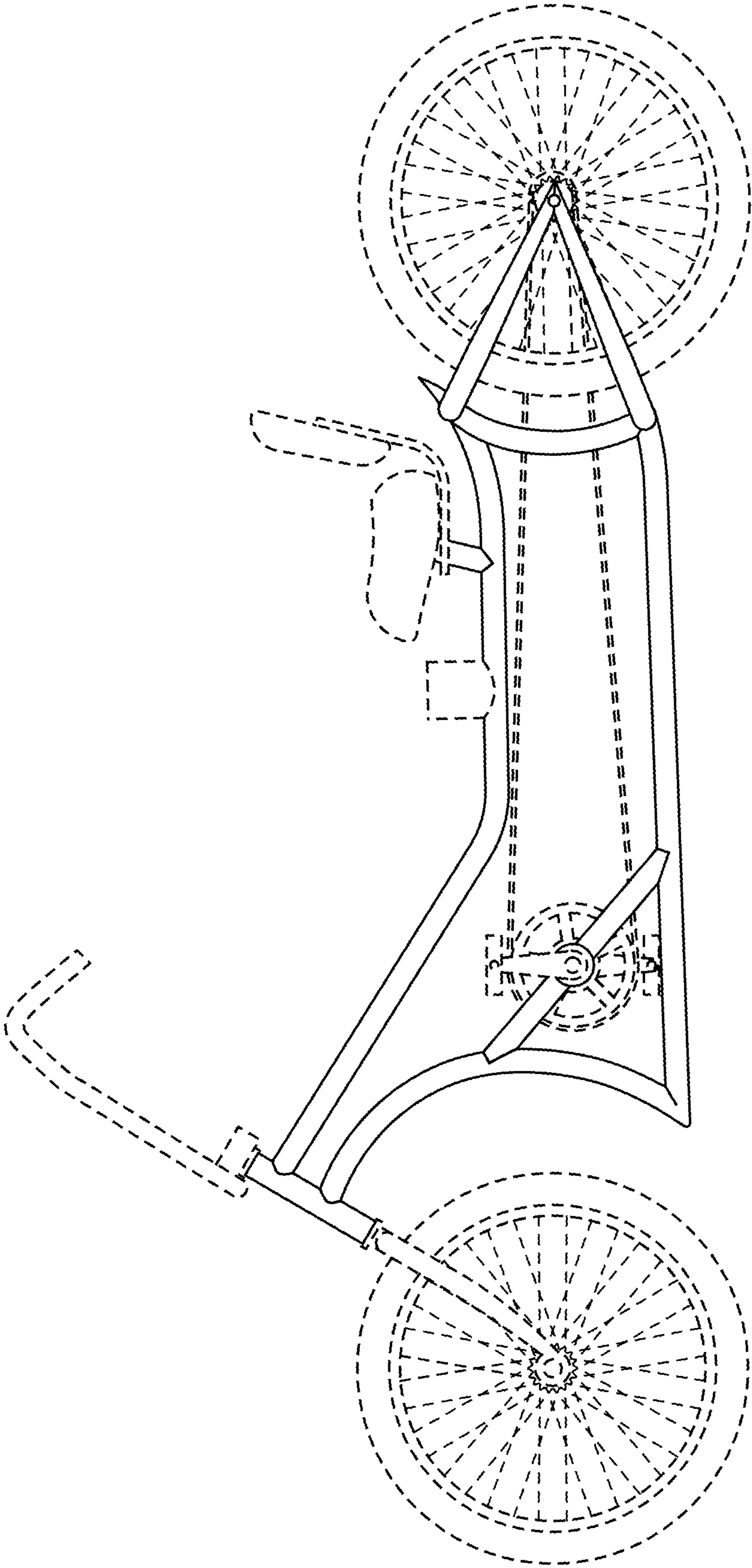


FIG. 8