



US00D945933S

(12) **United States Design Patent**
Hu et al.

(10) **Patent No.:** **US D945,933 S**
(45) **Date of Patent:** **** Mar. 15, 2022**

(54) **ELECTRIC MOTORCYCLE**
(71) Applicant: **Beijing Niu Information Technology Co., Ltd., Beijing (CN)**
(72) Inventors: **Yilin Hu, Beijing (CN); Chuankai Liu, Beijing (CN); Kai Yang, Beijing (CN)**
(73) Assignee: **Beijing Niu Information Technology Co., Ltd., Beijing (CN)**

D673,882 S * 1/2013 Tartarini D12/110
D680,911 S * 4/2013 Wu D12/110
D761,699 S * 7/2016 Watanabe D12/110
D806,610 S * 1/2018 Su D12/110
D906,889 S * 1/2021 Piatti D12/110
D915,948 S * 4/2021 Hsieh D12/110

(**) Term: **15 Years**
(21) Appl. No.: **29/729,110**
(22) Filed: **Mar. 24, 2020**

FOREIGN PATENT DOCUMENTS

IN 325976-001 * 8/2020

(30) **Foreign Application Priority Data**
Sep. 27, 2019 (CN) 201930534846.7
(51) **LOC (13) Cl.** **12-11**
(52) **U.S. Cl.**
USPC **D12/110**
(58) **Field of Classification Search**
USPC D12/110, 111, 117; D21/423, 532
CPC B62K 11/00; B62K 11/02; B62K 11/04;
B62K 11/10; B62K 17/00; B62K 19/00;
B62K 2202/00
See application file for complete search history.

OTHER PUBLICATIONS

“Segway eMoped C80” Segway., posted date Sep. 10, 2019 [online], [retrieved on Mar. 10, 2021]. Retrieved from the Internet <URL: <https://store.segway.com/segway-emoped-c80>> (Year: 2019).*

(Continued)

Primary Examiner — Darlington Ly
Assistant Examiner — Nasim Abdulaziz Ali
(74) *Attorney, Agent, or Firm* — Andrus Intellectual Property Law, LLP

(56) **References Cited**
U.S. PATENT DOCUMENTS

(57) **CLAIM**

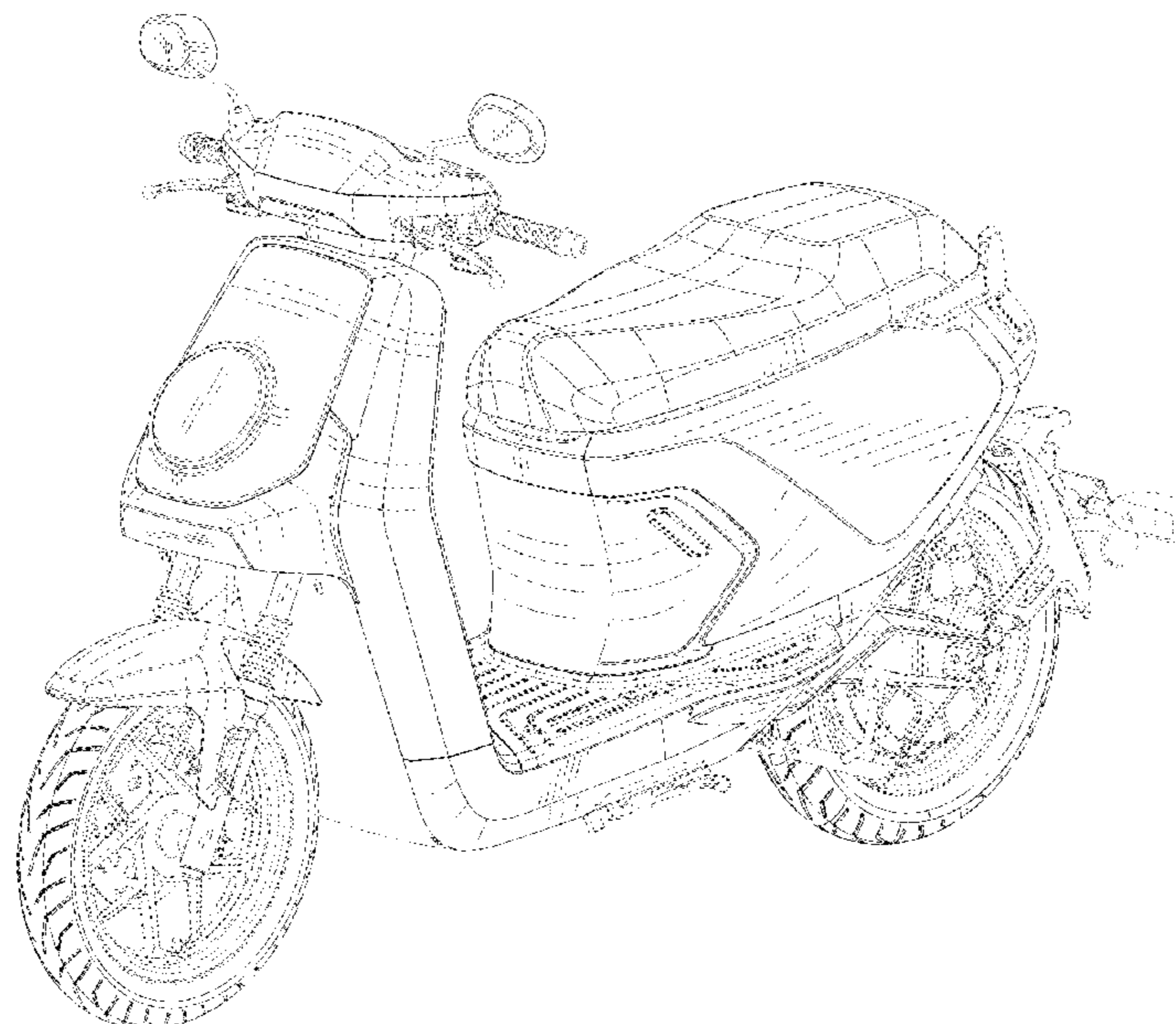
The ornamental design for an electric motorcycle, as shown and described.

D537,386 S * 2/2007 Mizuta D12/110
D586,700 S * 2/2009 Chiu D12/110
D602,813 S * 10/2009 Chao D12/110
D612,770 S * 3/2010 Chen D12/110
D622,637 S * 8/2010 Schneider D12/110
D642,497 S * 8/2011 Lin D12/110
D657,722 S * 4/2012 Lambri D12/110
D664,898 S * 8/2012 Van Hooydonk D12/110

DESCRIPTION

FIG. 1 is a front elevation view of an electric motorcycle embodying our new design;
FIG. 2 is a rear elevation view thereof;
FIG. 3 is a left elevation view thereof;
FIG. 4 is a right elevation view thereof;
FIG. 5 is a top plan view thereof;
FIG. 6 is a bottom plan view thereof; and,
FIG. 7 is a perspective view thereof.
The broken lines shown in the figures depict portions of the electric motorcycle that form no part of the claimed design.

1 Claim, 7 Drawing Sheets



(56)

References Cited

OTHER PUBLICATIONS

“NIU debuts new electric scooters” NIU., posted date Nov. 7, 2018 [online], [retrieved on Mar. 10, 2021]. Retrieved from the Internet <URL: <https://electrek.co/2018/11/07/niu-electric-scooters-umini/>> (Year: 2018).*

“Xiaomi’s Cute Electric Moped” Xiamoi., posted date Mar. 30, 2020 [online], [retrieved on Mar. 10, 2021]. Retrieved from the Internet <URL: <https://www.zigwheels.com/news-features/news/xiaomi-a1-e-bike-unveiled-in-china-cheaper-than-oneplus-7/38034/>> (Year: 2020).*

* cited by examiner

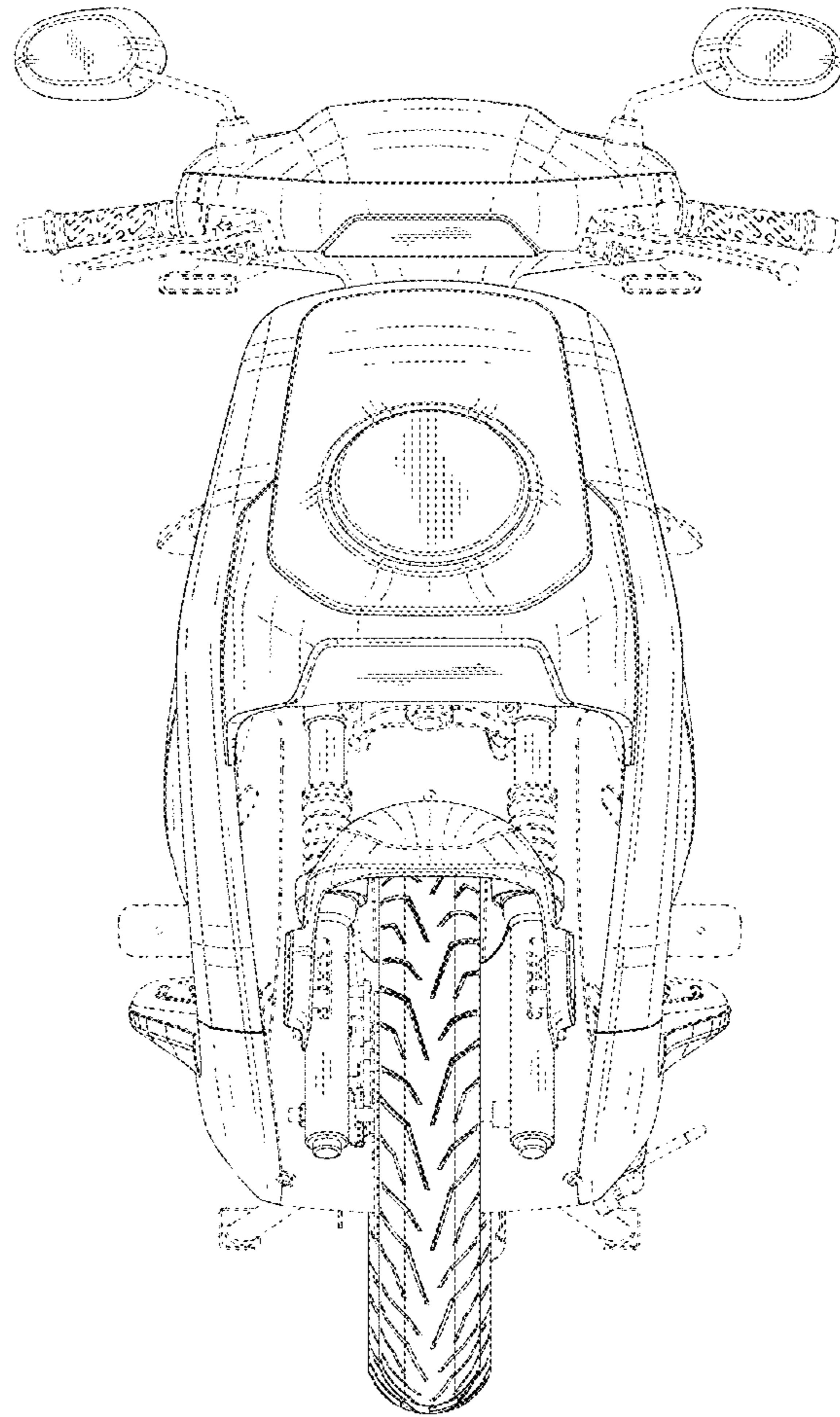


FIG. 1

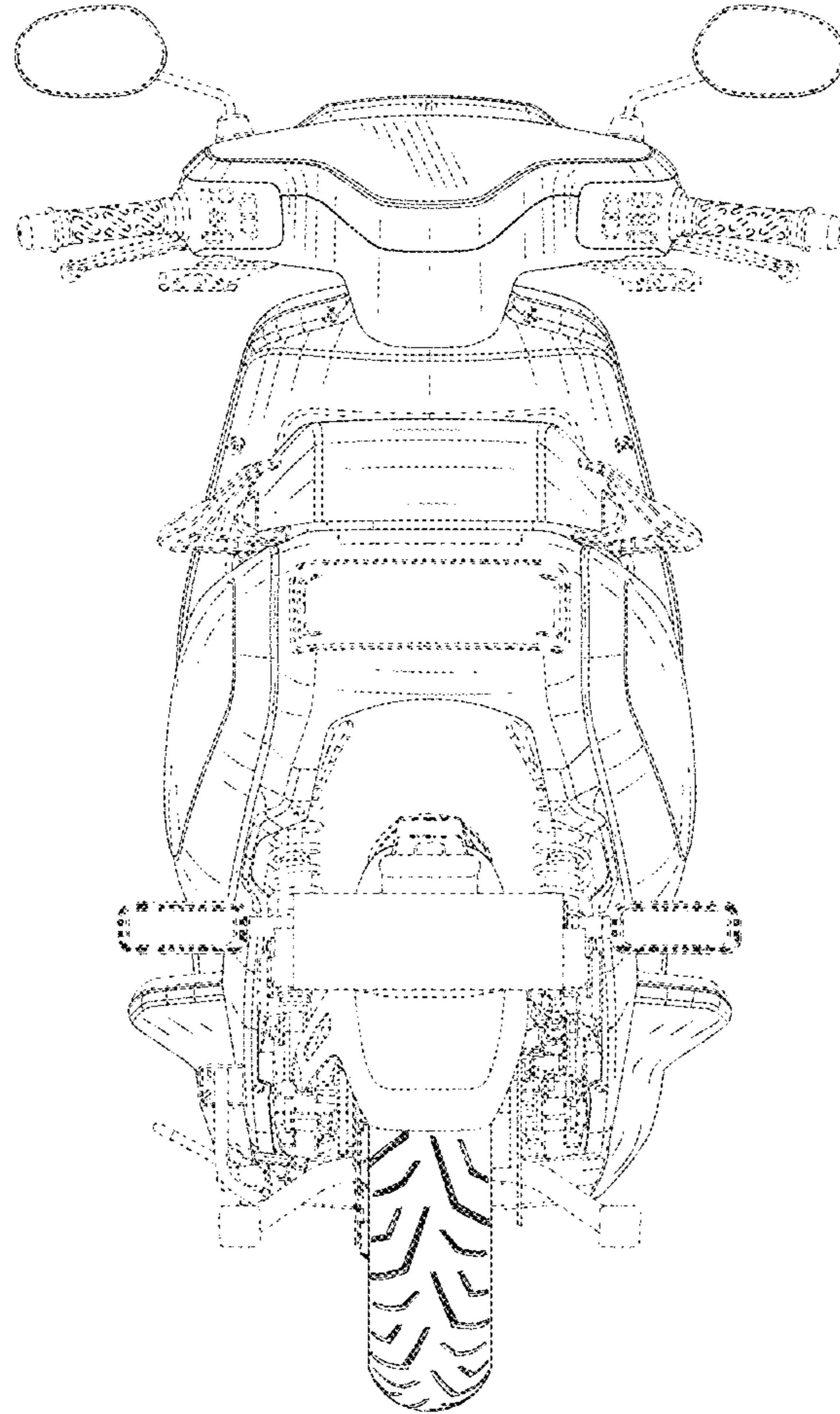


FIG.2

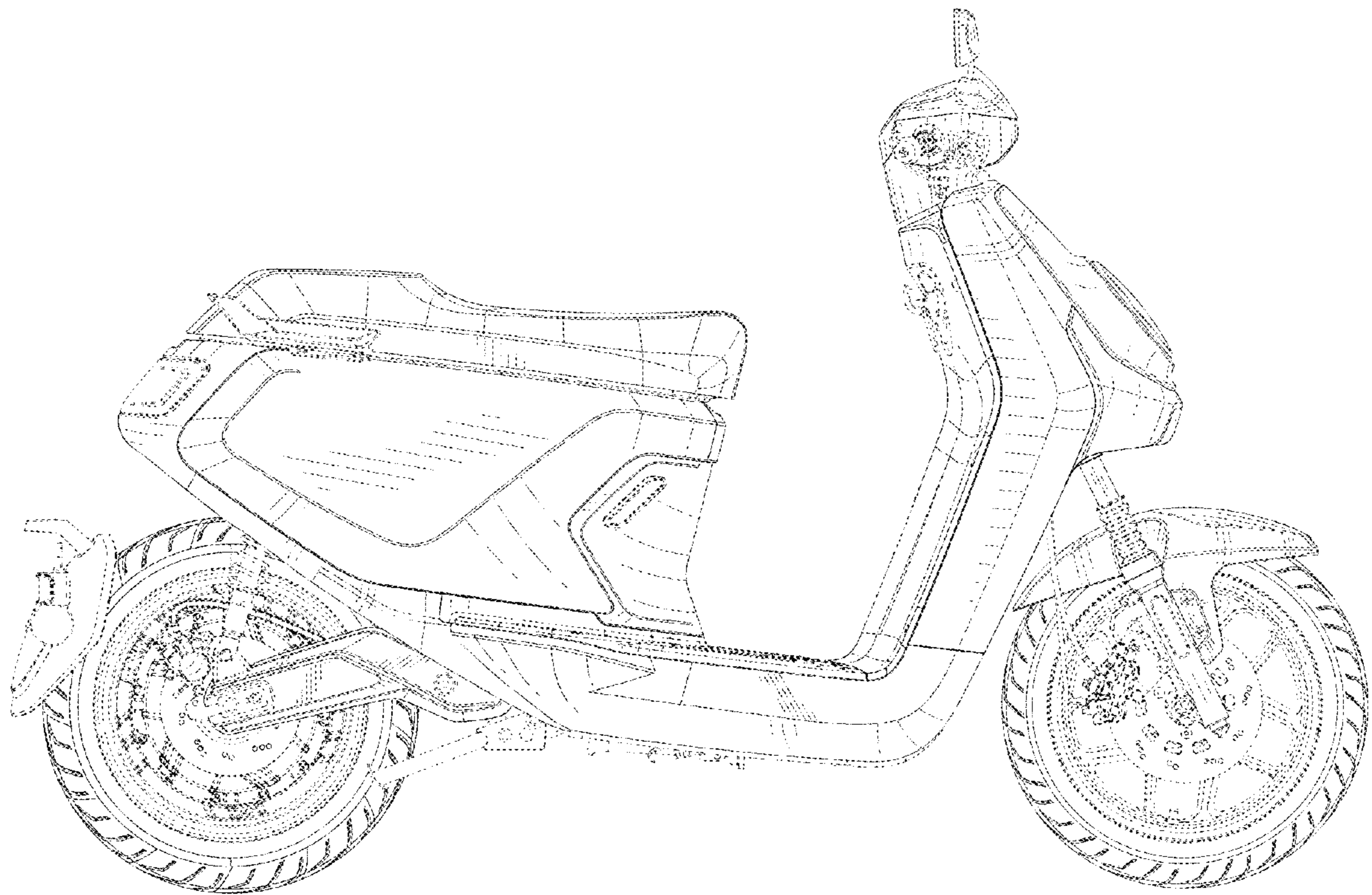


FIG.3

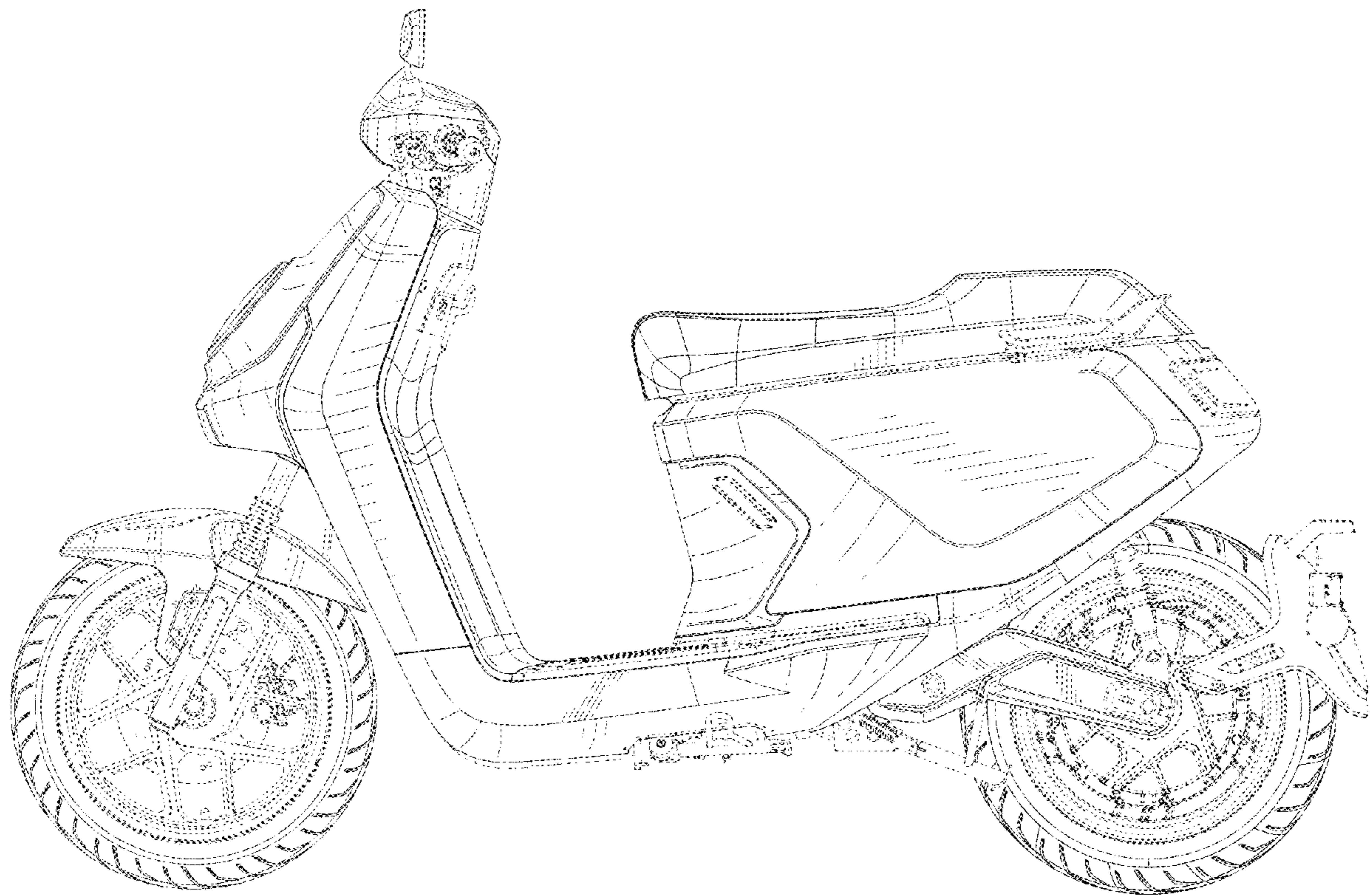


FIG.4

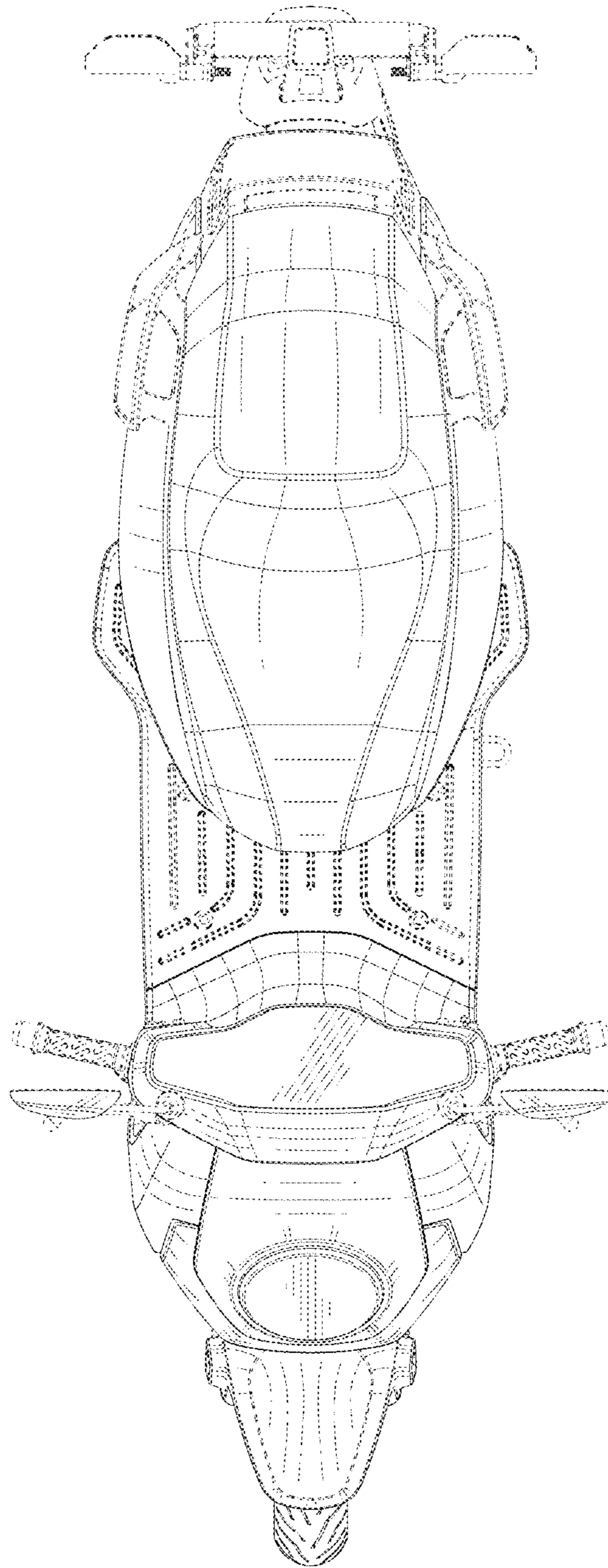


FIG.5

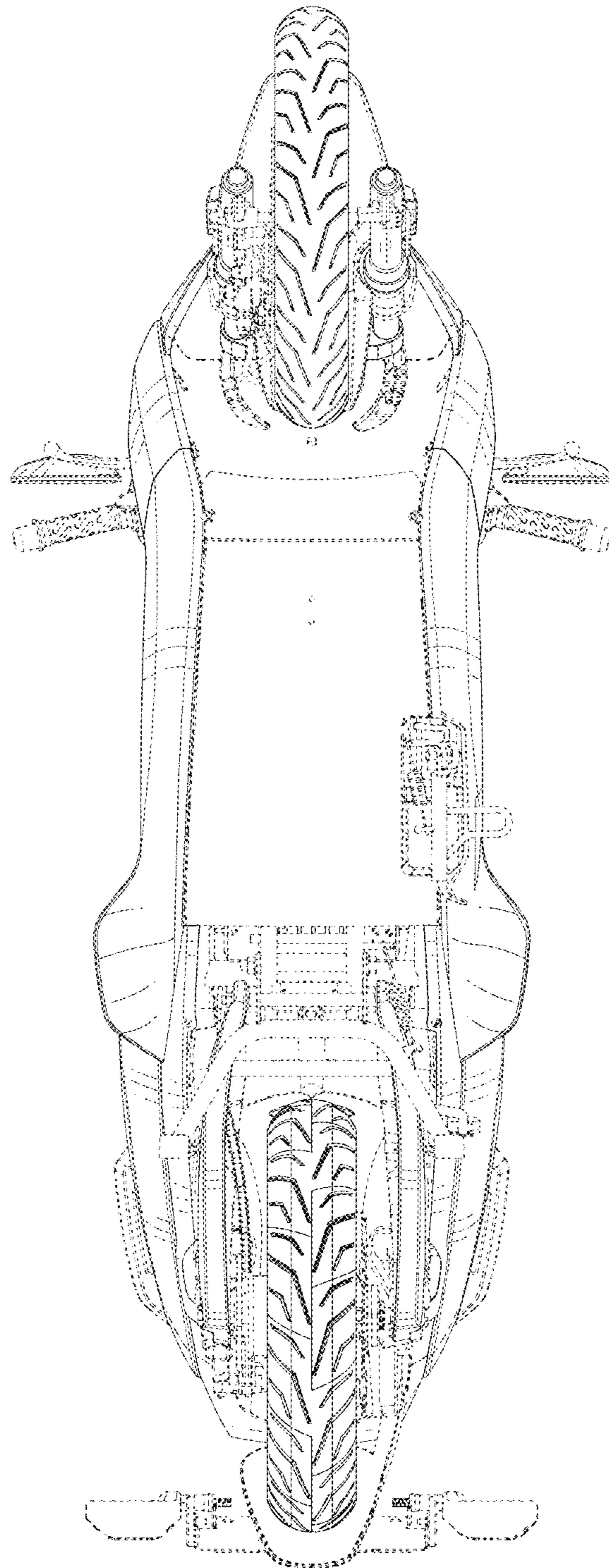


FIG. 6

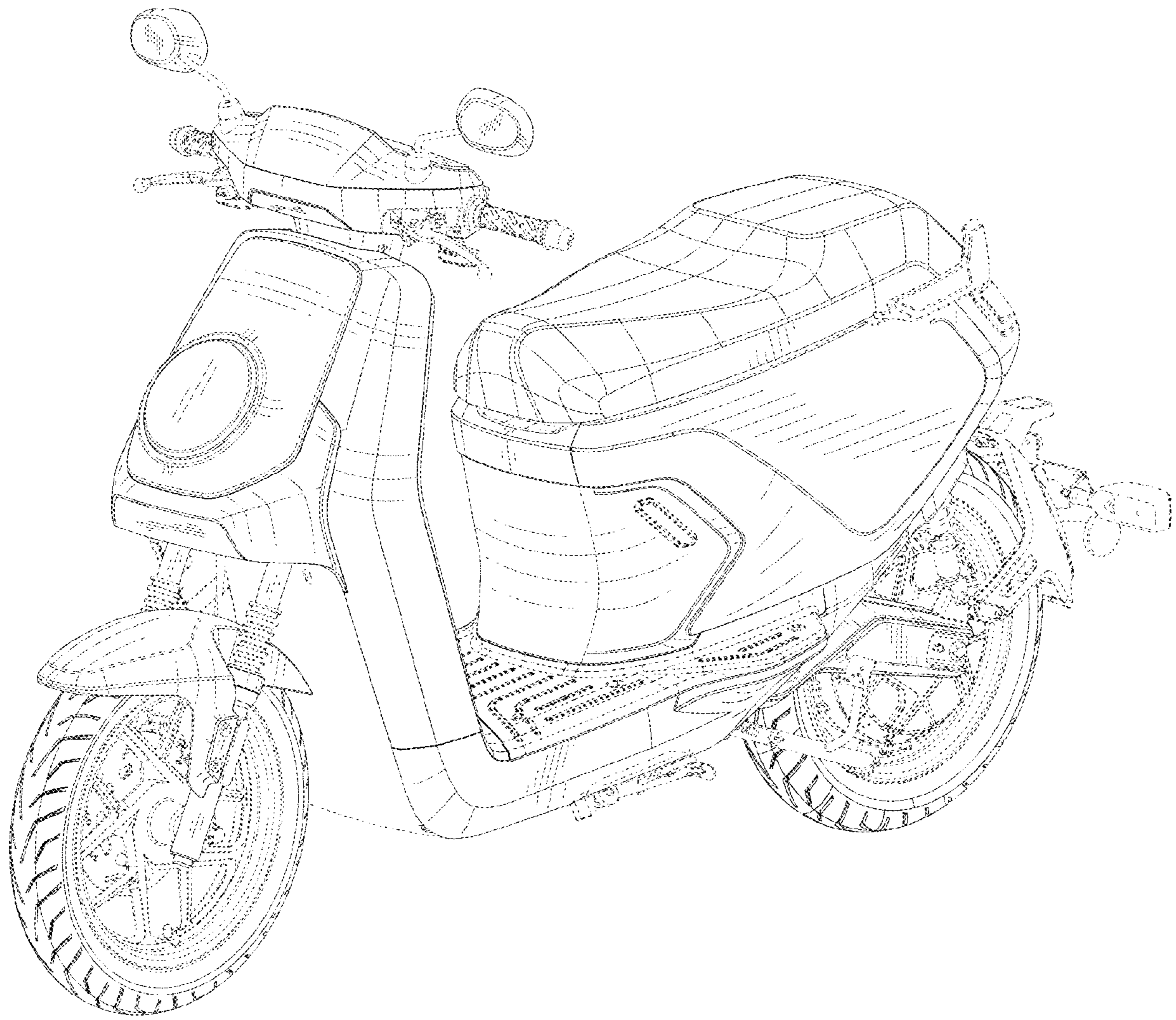


FIG. 7