



US00D945932S

(12) **United States Design Patent**
Jungers

(10) **Patent No.:** **US D945,932 S**

(45) **Date of Patent:** **** Mar. 15, 2022**

(54) **HUNTING STAND TRAILER AND LIFT**

D932,946 S * 10/2021 Mcnall D12/101
D933,533 S * 10/2021 Etzelsberger B60P 3/34

(71) Applicant: **Minnesota Outdoor Products LLC**,
Brainerd, MN (US)

D12/101
D936,520 S * 11/2021 Wydner B60P 3/34
D12/101

(72) Inventor: **Jon W. Jungers**, Brainerd, MN (US)

* cited by examiner

(**) Term: **15 Years**

Primary Examiner — Katrina A Betton

(74) *Attorney, Agent, or Firm* — Dicke, Billig & Czaja,
PLLC

(21) Appl. No.: **29/761,271**

(57) **CLAIM**

(22) Filed: **Dec. 8, 2020**

The ornamental design for a hunting stand trailer and lift, as shown and described herein.

(51) **LOC (13) Cl.** **12-16**

DESCRIPTION

(52) **U.S. Cl.**

USPC **D12/101**

(58) **Field of Classification Search**

USPC D12/100–106, 19, 129, 111, 112;
D21/425, 435; D34/21–26, 12, 16–19
CPC .. B62D 35/00; B62D 33/077; B62D 33/0612;
B62D 24/04; B60P 3/10; B60P 3/1033;
B60P 3/0257; B60P 3/38; B60P 3/34;
E01F 15/14

See application file for complete search history.

FIG. 1 is a top perspective view of a hunting stand trailer and lift in accordance with principles of the present disclosure, and shown in an upright condition with a hunting stand; FIG. 2 is a left side view of the hunting stand trailer and lift of FIG. 1; FIG. 3 is a right side view of the hunting stand trailer and lift of FIG. 1; FIG. 4 is a rear end view of the hunting stand trailer and lift of FIG. 1; FIG. 5 is a front end view of the hunting stand trailer and lift of FIG. 1; FIG. 6 is a top plan view of the hunting stand trailer and lift of FIG. 1; FIG. 7 is a bottom plan view of the hunting stand trailer and lift of FIG. 1; FIG. 8 is a top perspective view of a hunting stand trailer and lift of FIG. 1, and shown in a transport condition with a hunting stand; and, FIG. 9 is a left side view of the hunting stand trailer and lift of FIG. 8.

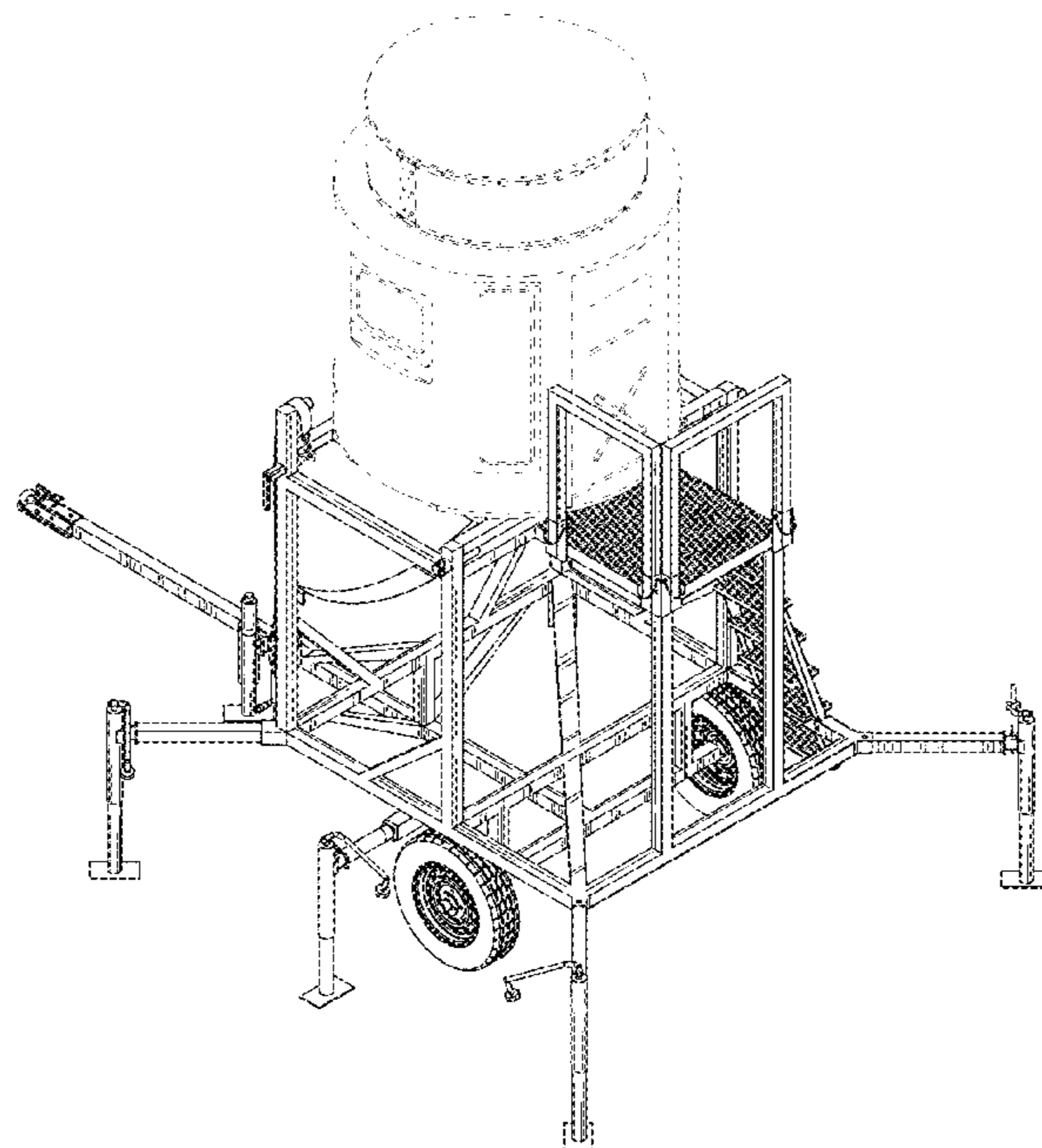
The broken lines represent environmental structure that forms no part of the claimed design.

(56) **References Cited**

U.S. PATENT DOCUMENTS

D298,810 S * 12/1988 Vilval D12/102
D329,215 S * 9/1992 Alexander D12/102
D594,385 S * 6/2009 Cadotte D12/102
D689,402 S * 9/2013 Lee D12/103
D692,353 S * 10/2013 Kiez D12/103
D801,229 S * 10/2017 Brock B60P 1/435
D12/102
D869,993 S * 12/2019 Sagen D12/101
D886,681 S * 6/2020 Hickok D12/102
D926,635 S * 8/2021 Lee D12/101
D932,375 S * 10/2021 Canaday D12/102

1 Claim, 9 Drawing Sheets



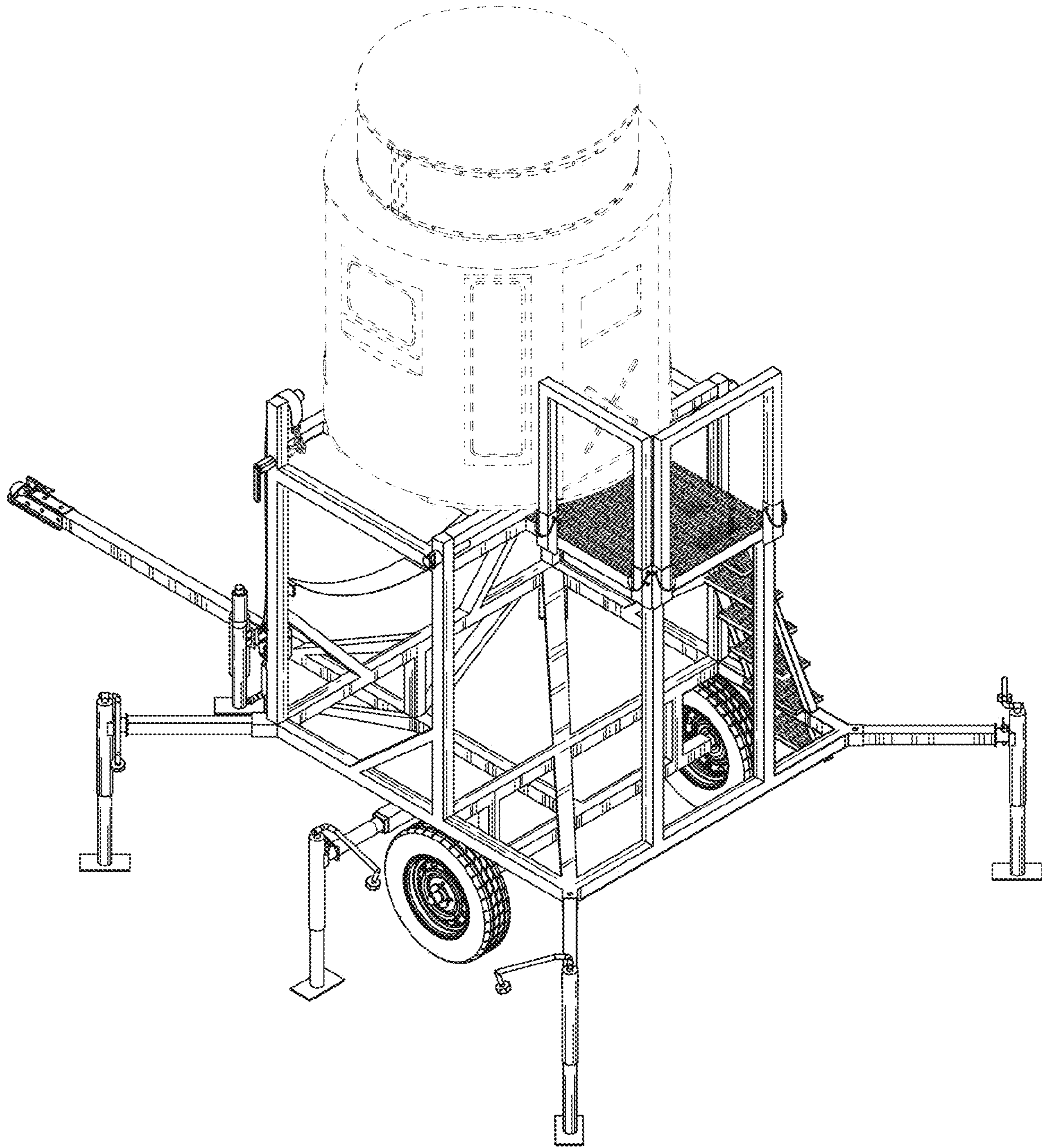


FIG. 1

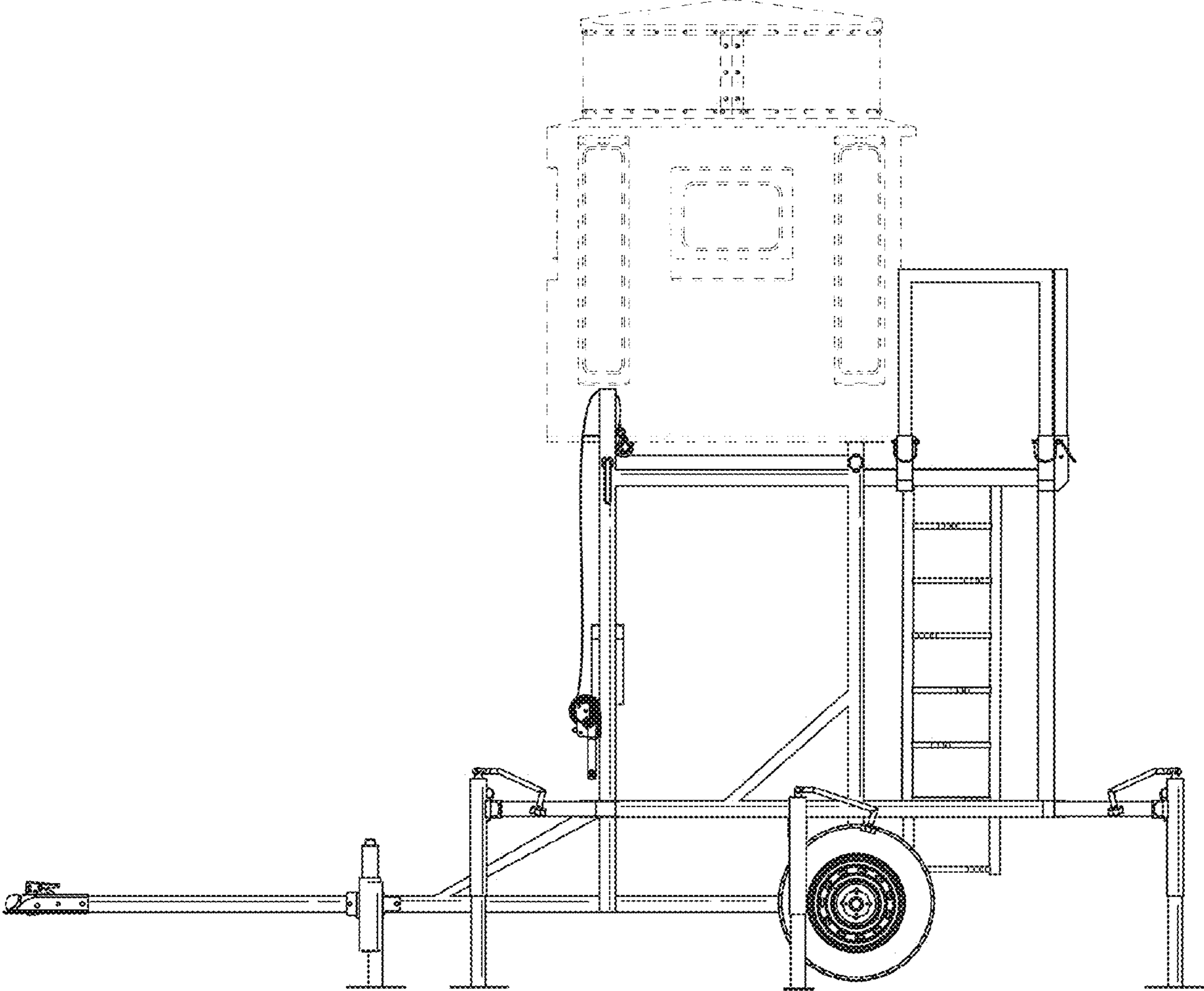


FIG. 2

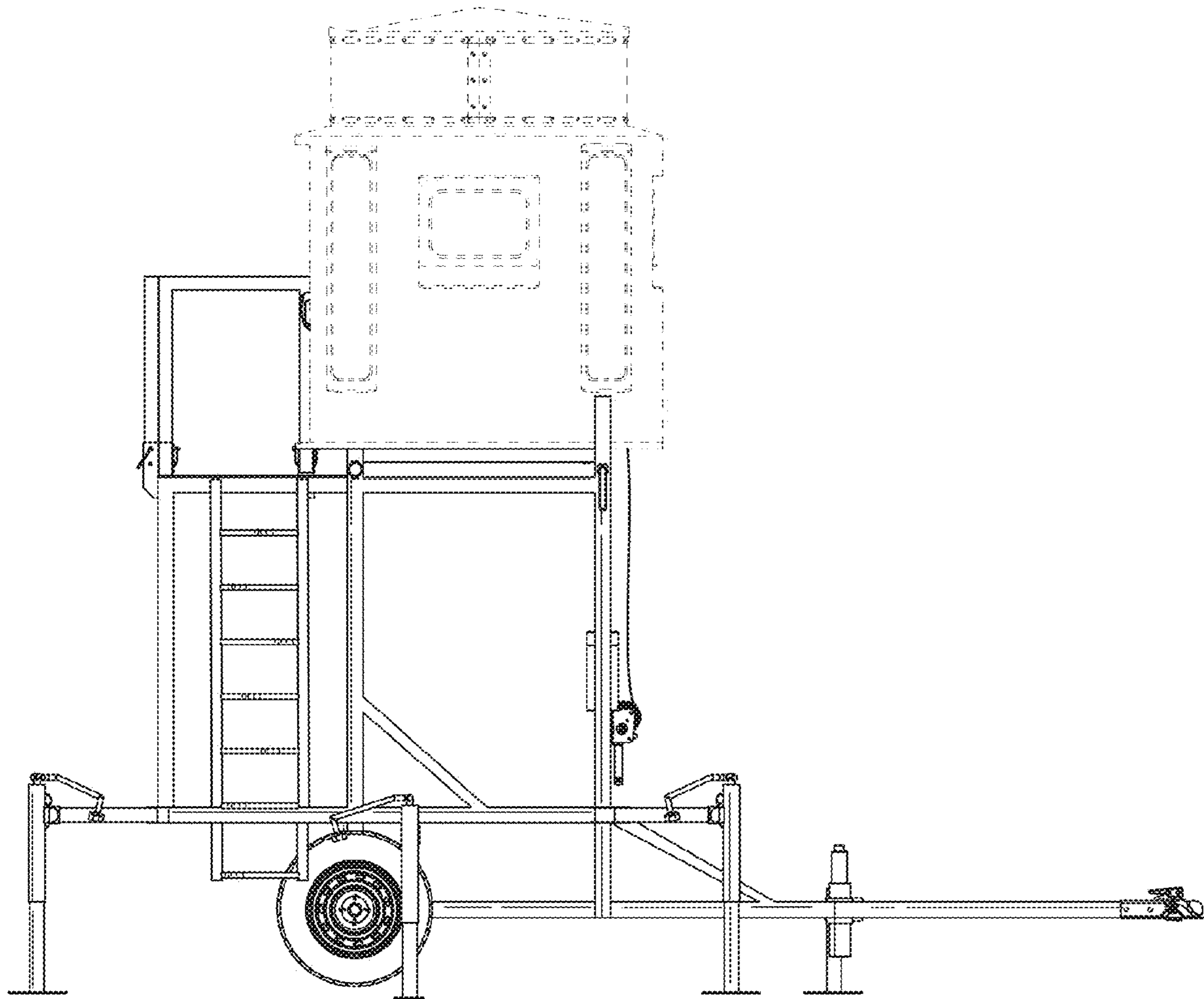


FIG. 3

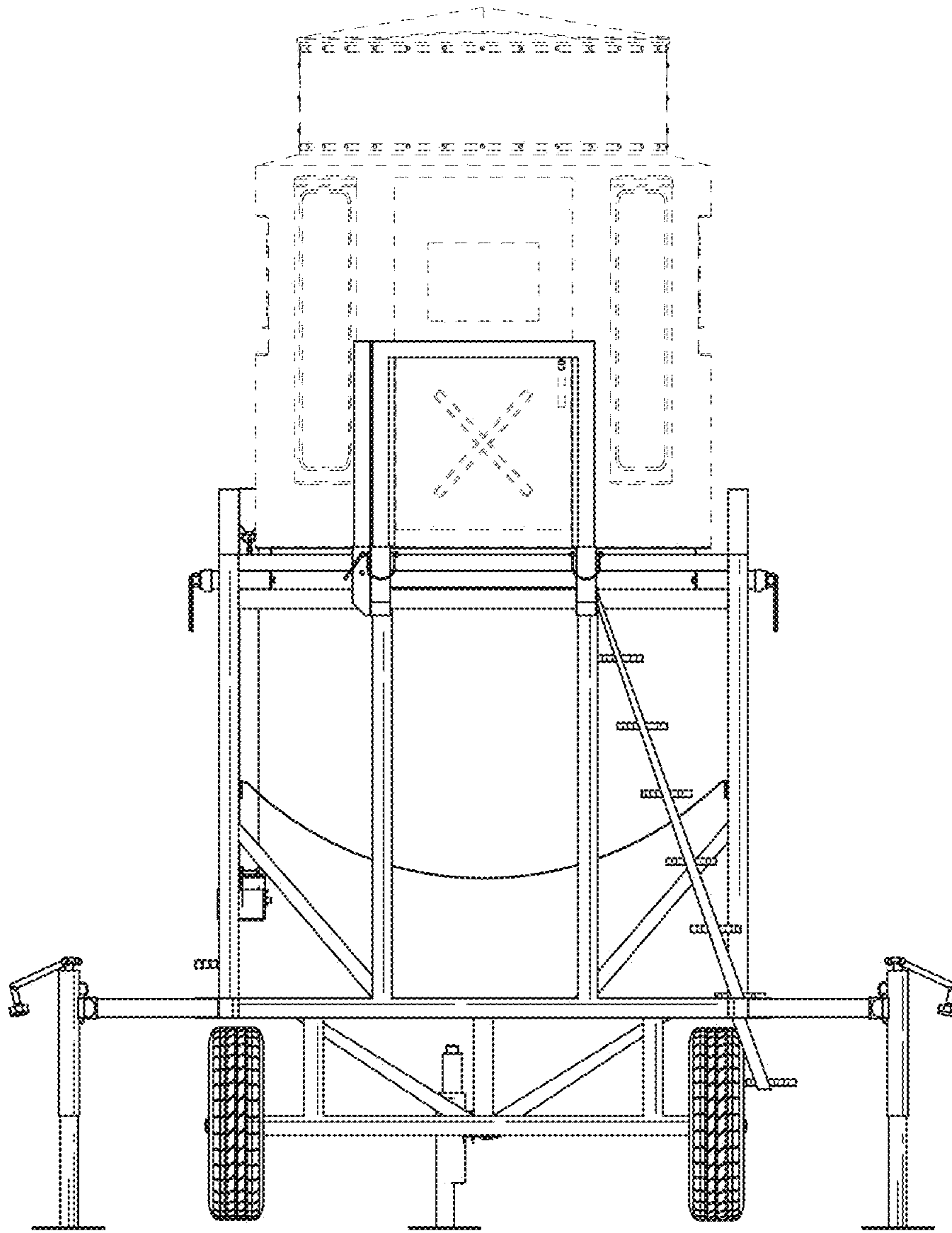


FIG. 4

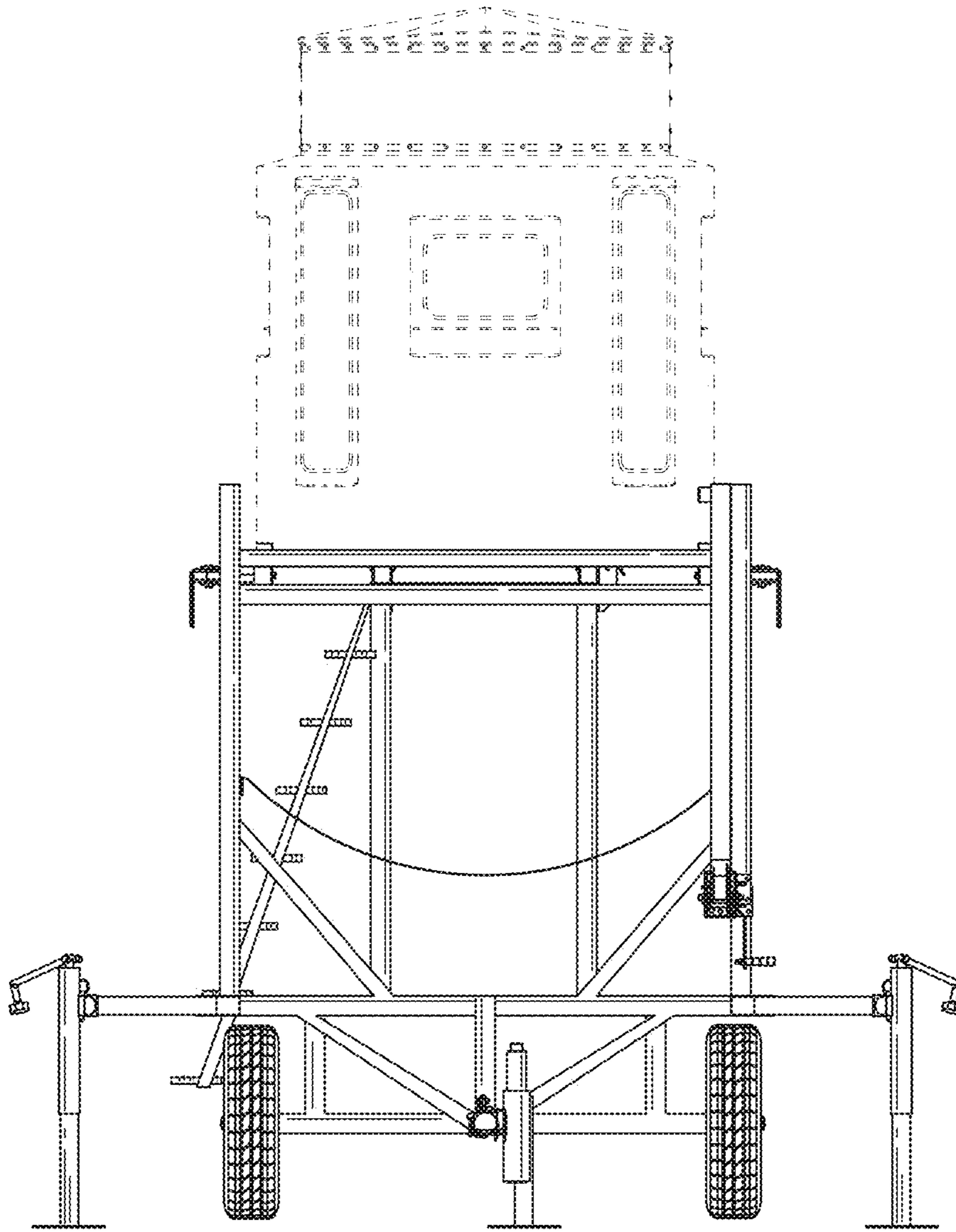


FIG. 5

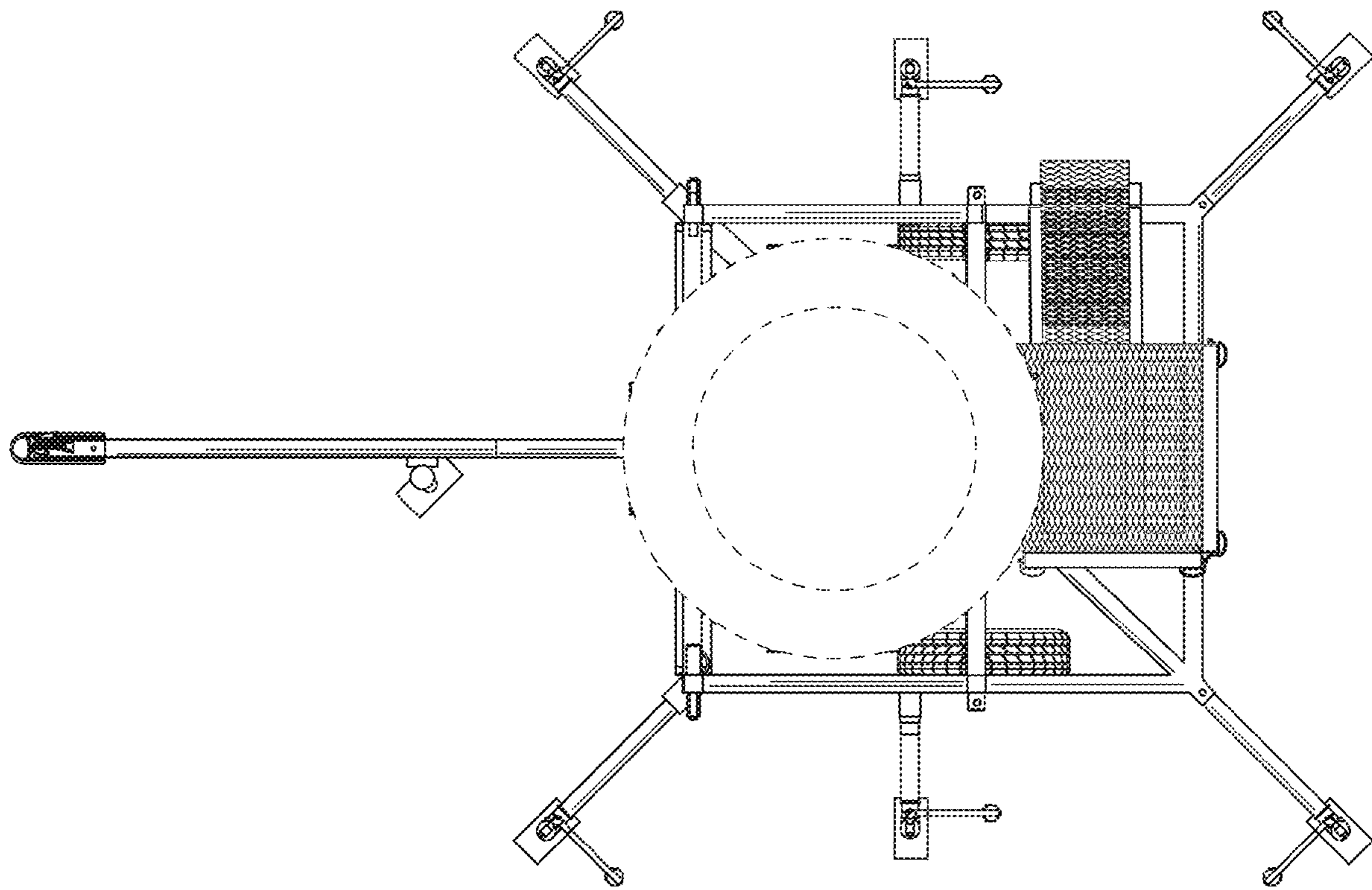


FIG. 6

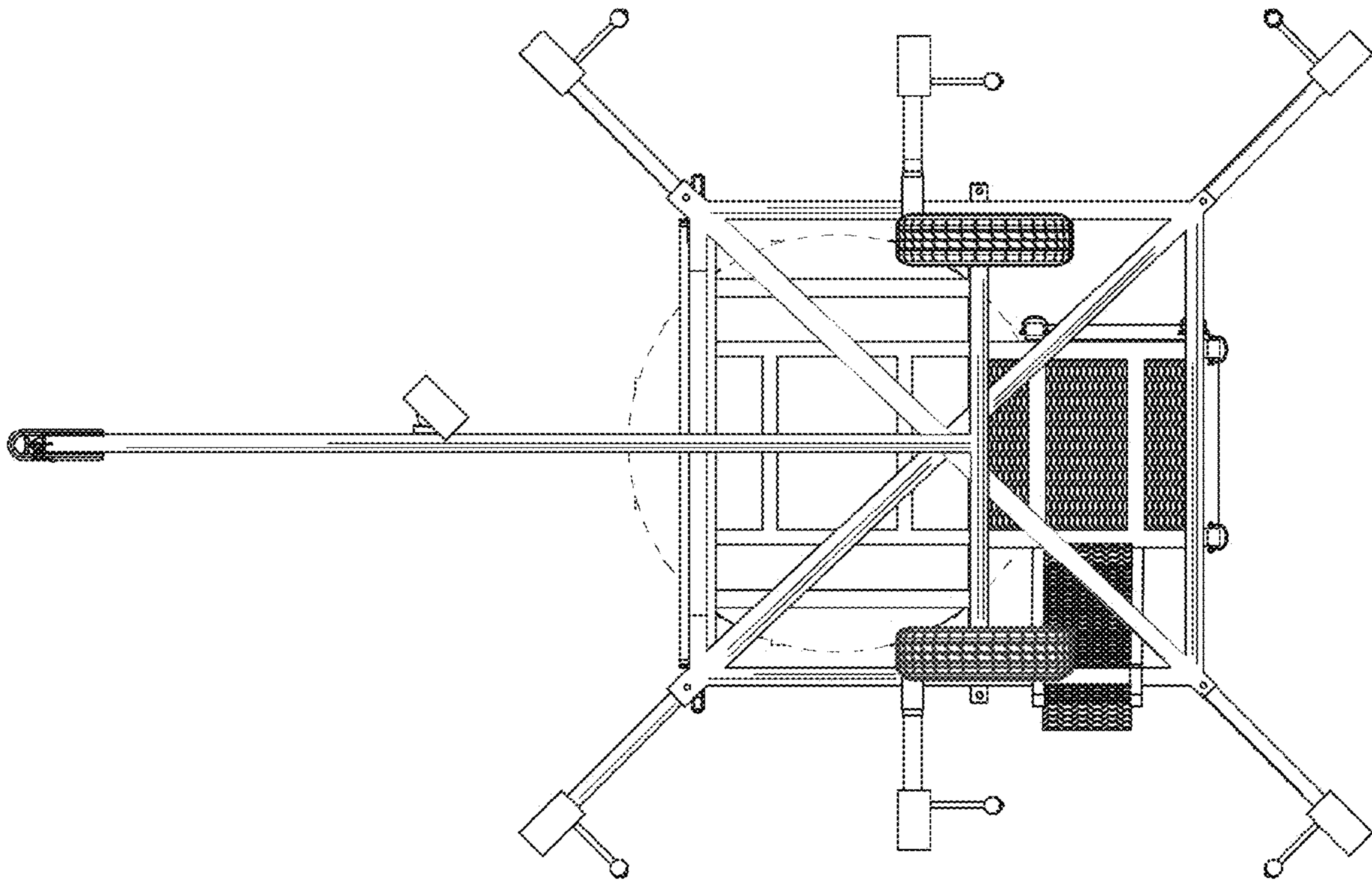


FIG. 7

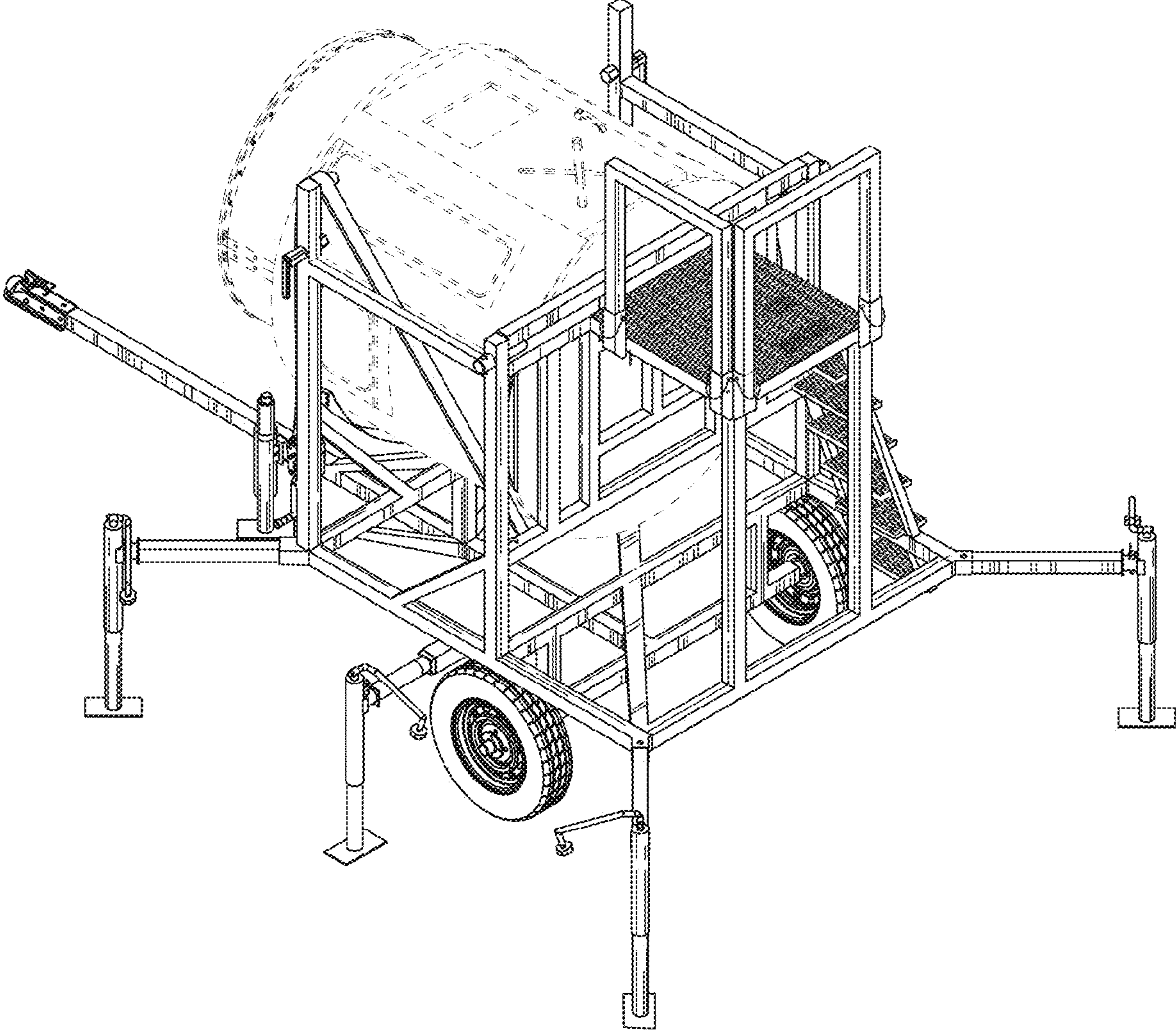


FIG. 8

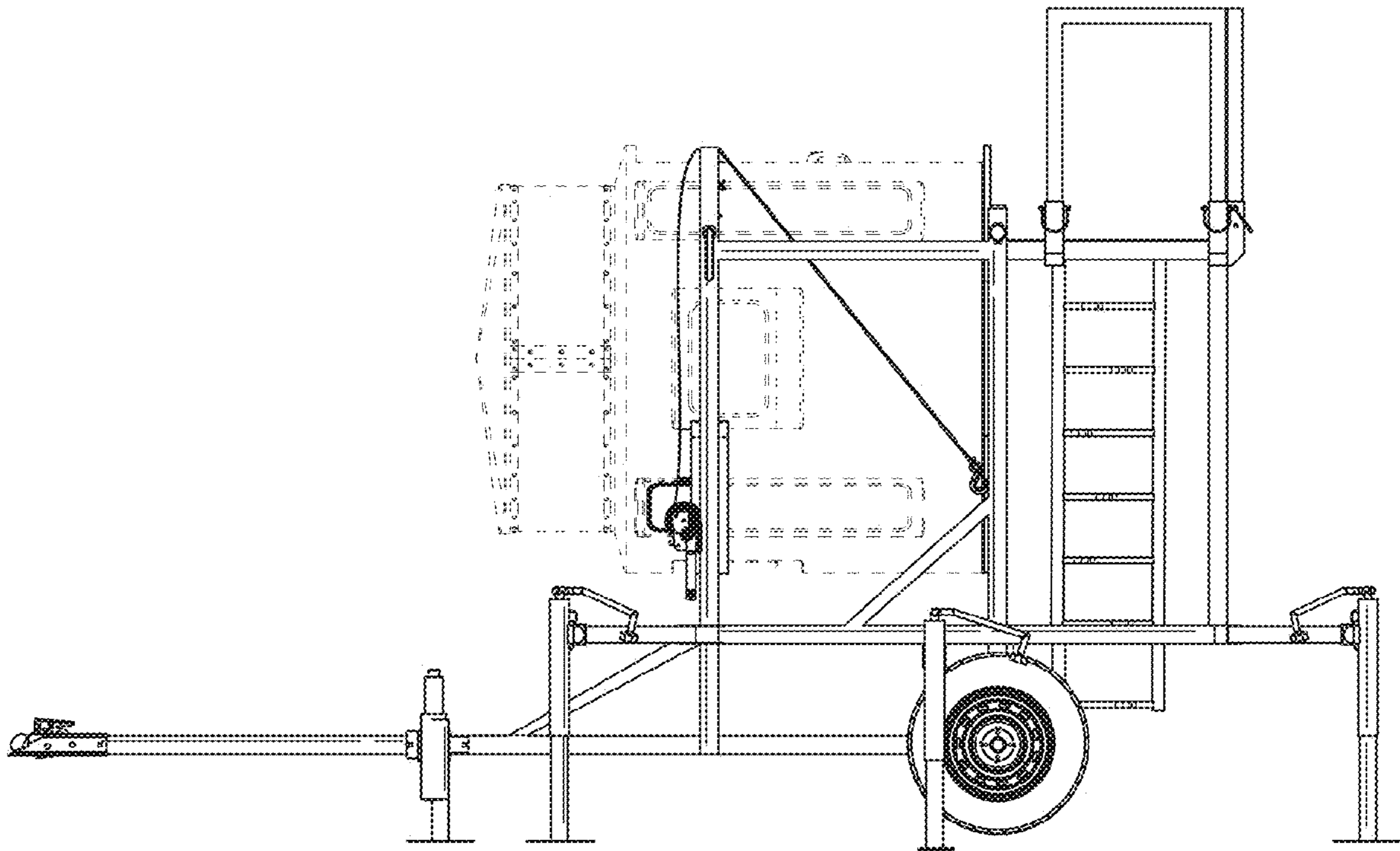


FIG. 9