



US00D945925S

(12) **United States Design Patent**
Borkert

(10) **Patent No.:** **US D945,925 S**
(45) **Date of Patent:** **** Mar. 15, 2022**

- (54) **CAR, TOY CAR REPLICA AND/OR OTHER REPLICA**
- (71) Applicant: **AUTOMOBILI LAMBORGHINI S.P.A.**, Sant'Agata Bolognese (IT)
- (72) Inventor: **Mitja Borkert**, Castelnuovo Rangone (IT)
- (73) Assignee: **Automobili Lamborghini S.p.A.**, Sant'Agata Bolognese (IT)
- (**) Term: **15 Years**
- (21) Appl. No.: **29/740,463**
- (22) Filed: **Jul. 3, 2020**
- (51) **LOC (13) Cl.** **12-08**
- (52) **U.S. Cl.**
USPC **D12/88**
- (58) **Field of Classification Search**
USPC D12/86, 90-92, 164; D21/433, 434, D21/531-535; 296/181.1-181.5, 183.1
CPC B62D 25/00; B62D 25/06; B62D 33/00; B62D 35/00
See application file for complete search history.

D845,170 S *	4/2019	Melville	D12/88
D871,969 S *	1/2020	Selipanov	D12/88
D873,176 S *	1/2020	Borkert	D12/88
D887,901 S *	6/2020	Shkinder	D12/92
D891,300 S *	7/2020	Borkert	D12/88
D891,301 S *	7/2020	Borkert	D12/88
D897,900 S *	10/2020	Borkert	D12/88
D899,305 S *	10/2020	Melville	D12/88

(Continued)

FOREIGN PATENT DOCUMENTS

JP 1487744 1/2014

OTHER PUBLICATIONS

Japanese Search Report dated Nov. 9, 2020 from related Japanese Patent Application No. 2020-013447.

Primary Examiner — Melody N Brown

(74) *Attorney, Agent, or Firm* — Shuttleworth & Ingersoll, PLC; Timothy Klima

(57) **CLAIM**

The ornamental design for a car, toy car replica and/or other replica, as shown and described.

DESCRIPTION

FIG. 1 is a top, front and left side perspective view of a car, toy car replica and/or other replica showing my new design; FIG. 2 is a top, rear and left side perspective view thereof; FIG. 3 is a top view thereof; FIG. 4 is a left side view thereof; FIG. 5 is a front view thereof; FIG. 6 is a rear view thereof; FIG. 7 is a right side view thereof; and, FIG. 8 is a bottom view thereof.

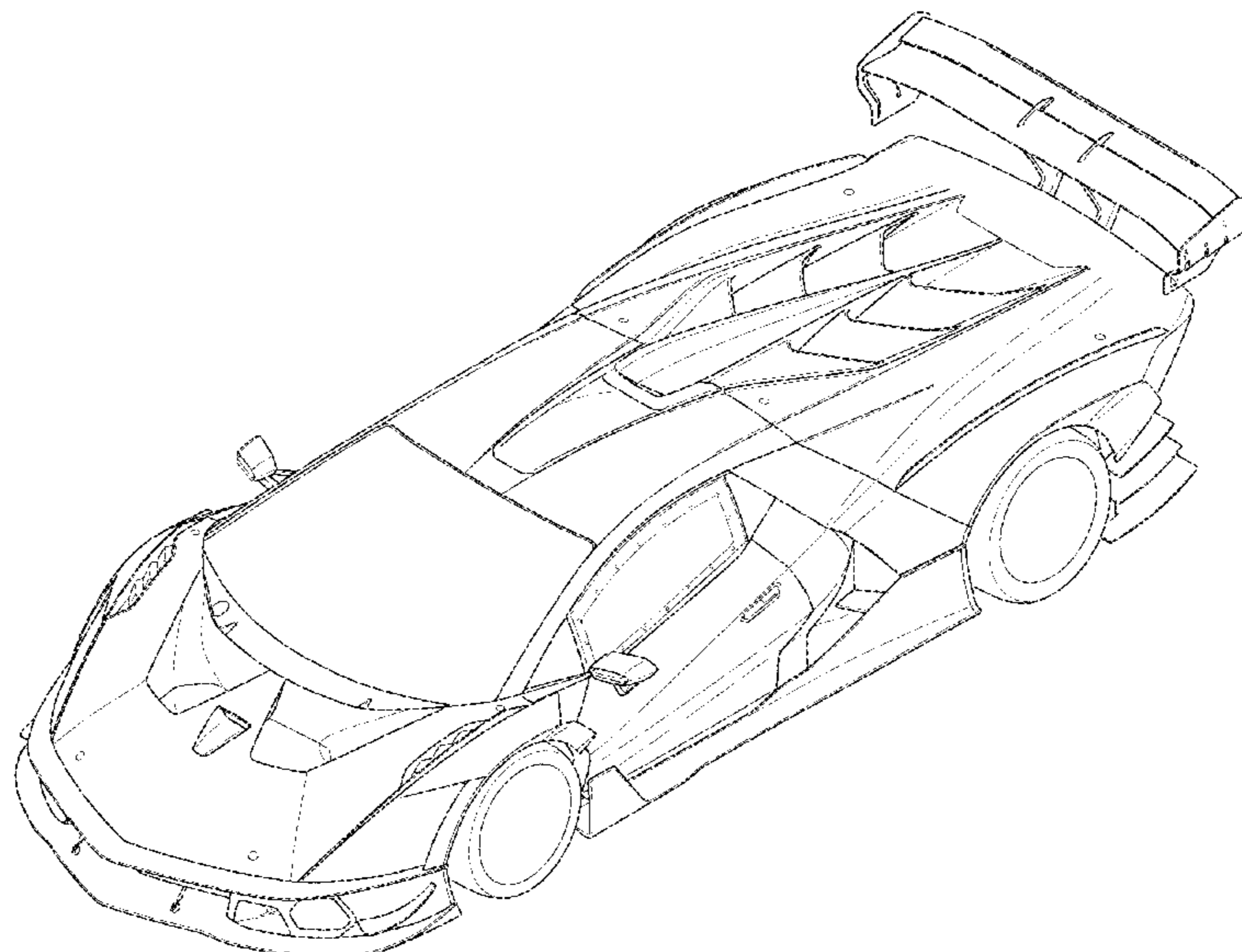
The broken lines shown throughout the drawing views are for illustrative and environmental purposes and form no part of the claimed design.

1 Claim, 8 Drawing Sheets

(56) **References Cited**

U.S. PATENT DOCUMENTS

D715,690 S *	10/2014	Perini	D12/88
D768,035 S *	10/2016	Goto	D12/88
D769,152 S *	10/2016	Perini	D12/88
D772,106 S *	11/2016	Hitzinger	D12/88
D774,416 S *	12/2016	Perini	D12/88
D781,749 S *	3/2017	Perini	D12/88
D790,398 S *	6/2017	Perini	D12/88
D790,402 S *	6/2017	Perini	D12/92
D791,019 S *	7/2017	Perini	D12/88
D801,227 S *	10/2017	Stephenson	D12/88
D820,166 S *	6/2018	Borkert	D12/92
D839,133 S *	1/2019	Hilton	D12/88
D844,488 S *	4/2019	Melville	D12/88



(56)

References Cited

U.S. PATENT DOCUMENTS

D906,173 S *	12/2020	Carr	D12/88
D906,888 S *	1/2021	Satulovsky	D12/98
D911,874 S *	3/2021	Melville	D12/88
D913,155 S *	3/2021	Pishevar	D12/88
D913,848 S *	3/2021	Suehlmann	D12/88
D914,542 S *	3/2021	Jirec	D12/88
D915,239 S *	4/2021	Cattabriga	D12/86
D918,089 S *	5/2021	Frank	D12/92
D918,090 S *	5/2021	Frank	D12/92
D918,312 S *	5/2021	Manzoni	D21/548
D920,841 S *	6/2021	Bonzanigo	D12/88

* cited by examiner

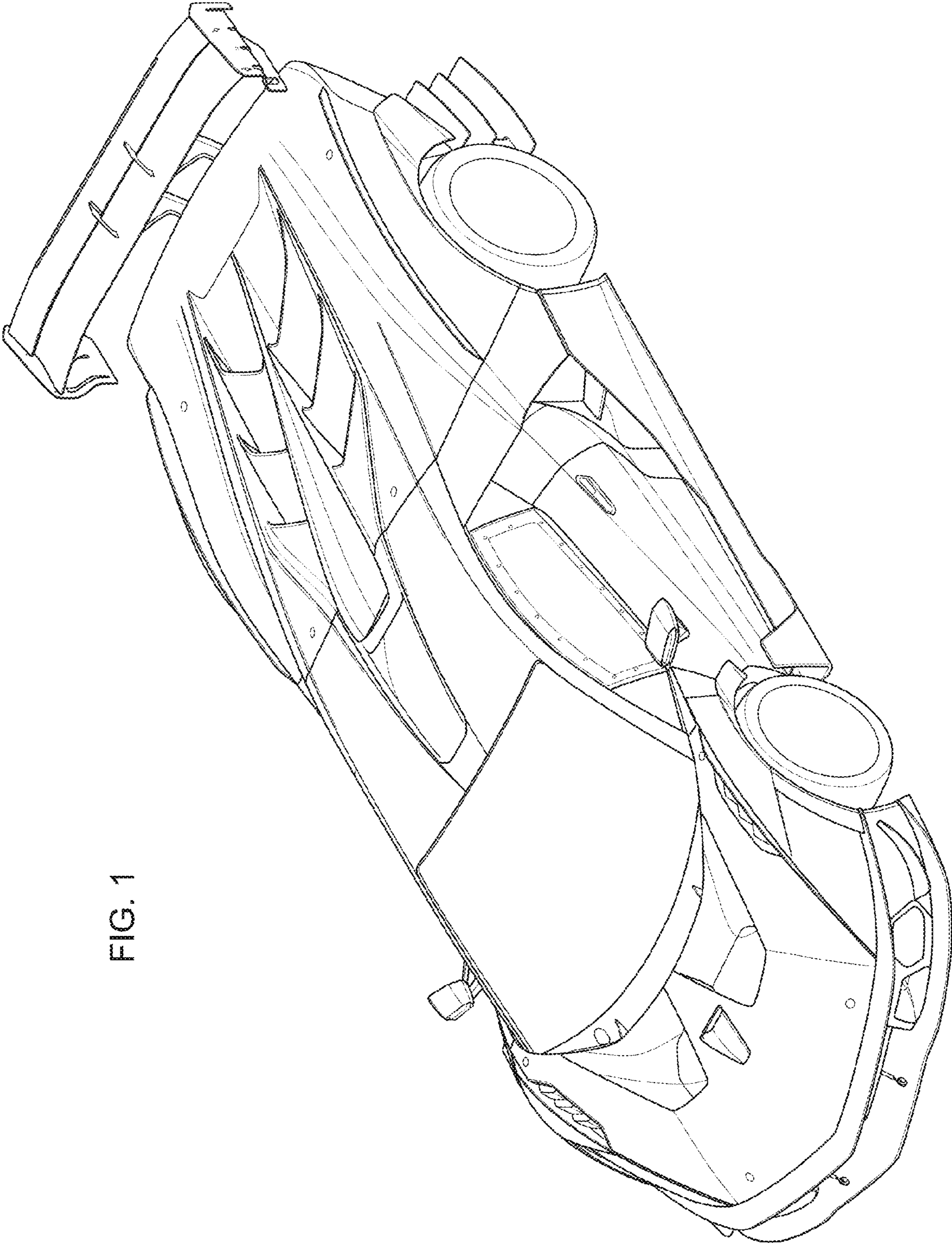
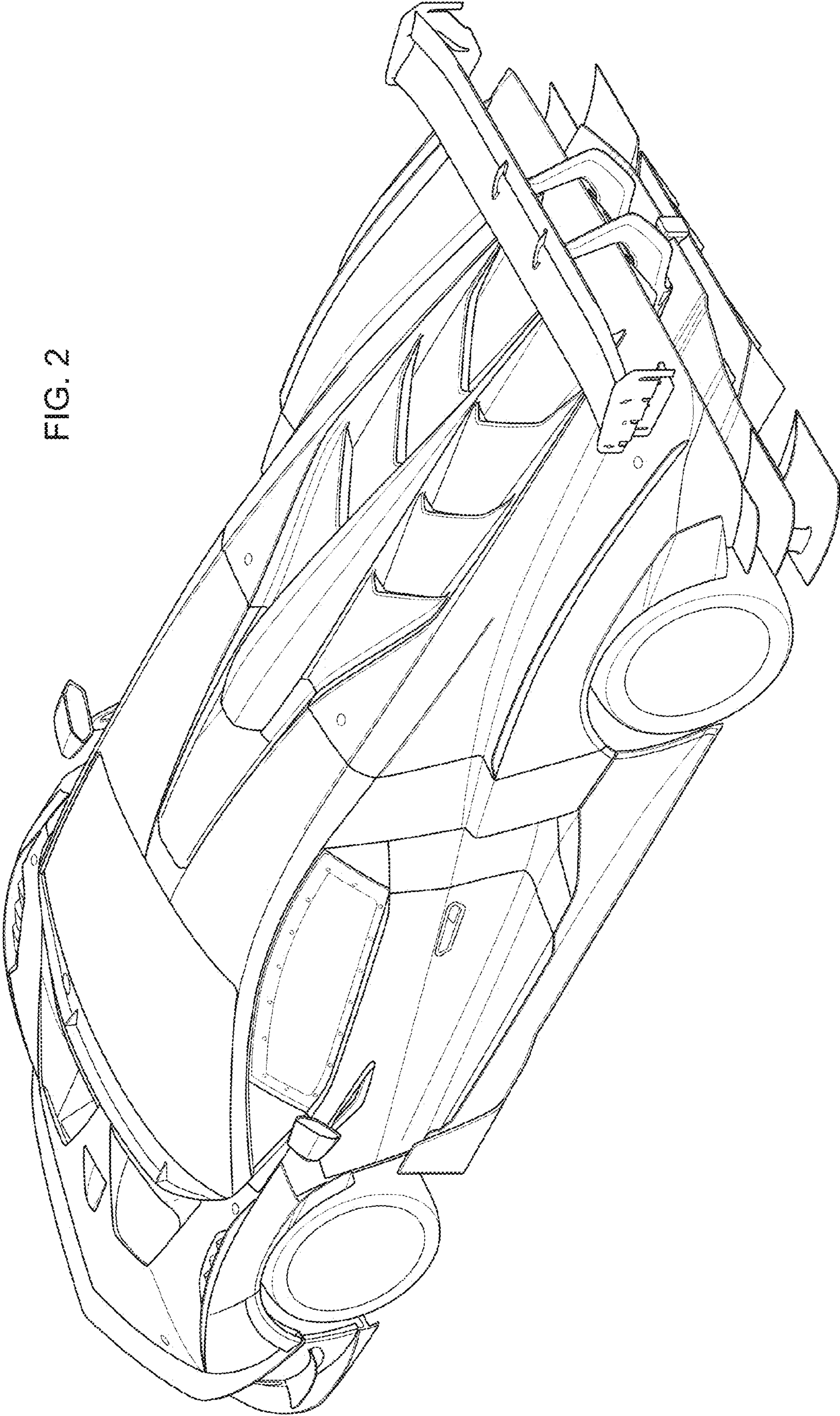


FIG. 1

FIG. 2



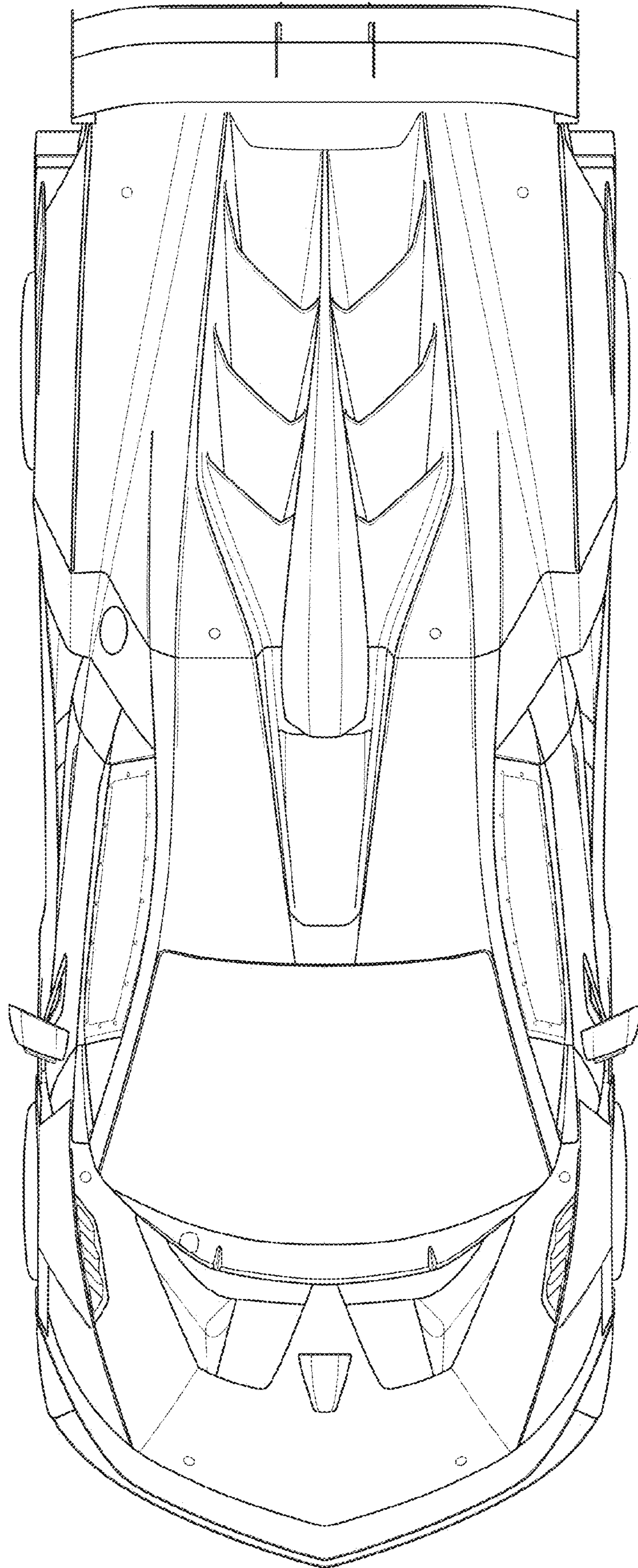


FIG. 3

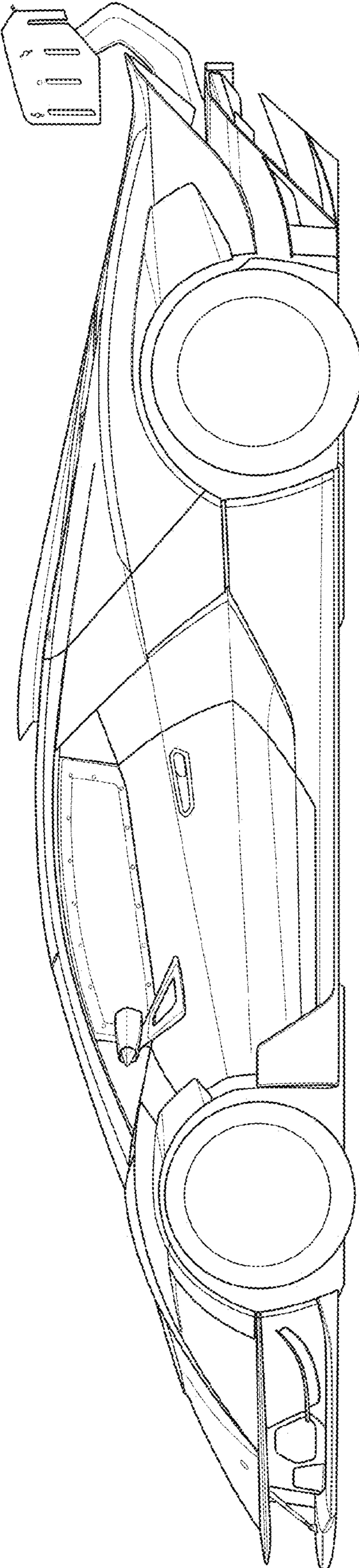


FIG. 4

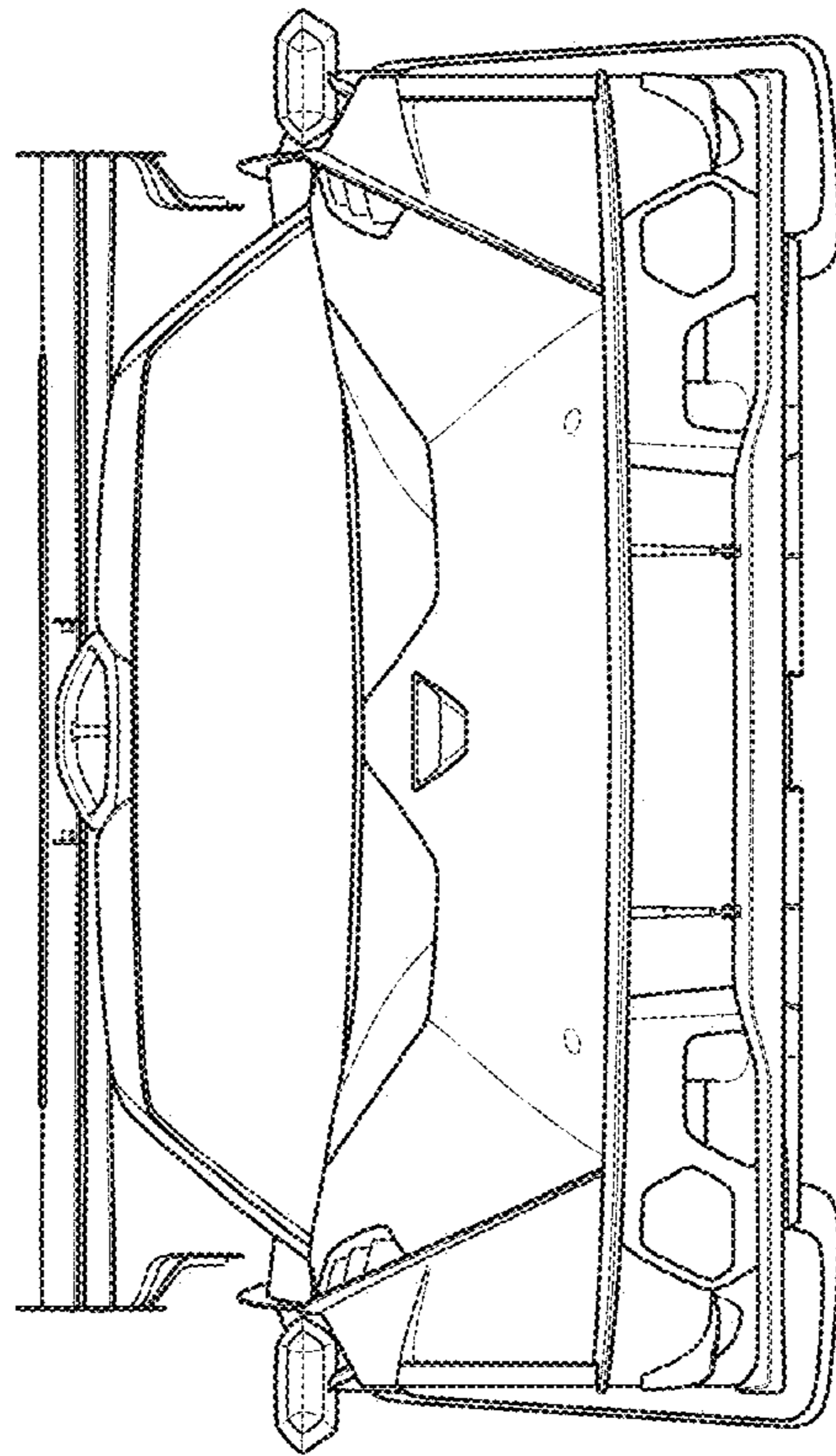


FIG. 5

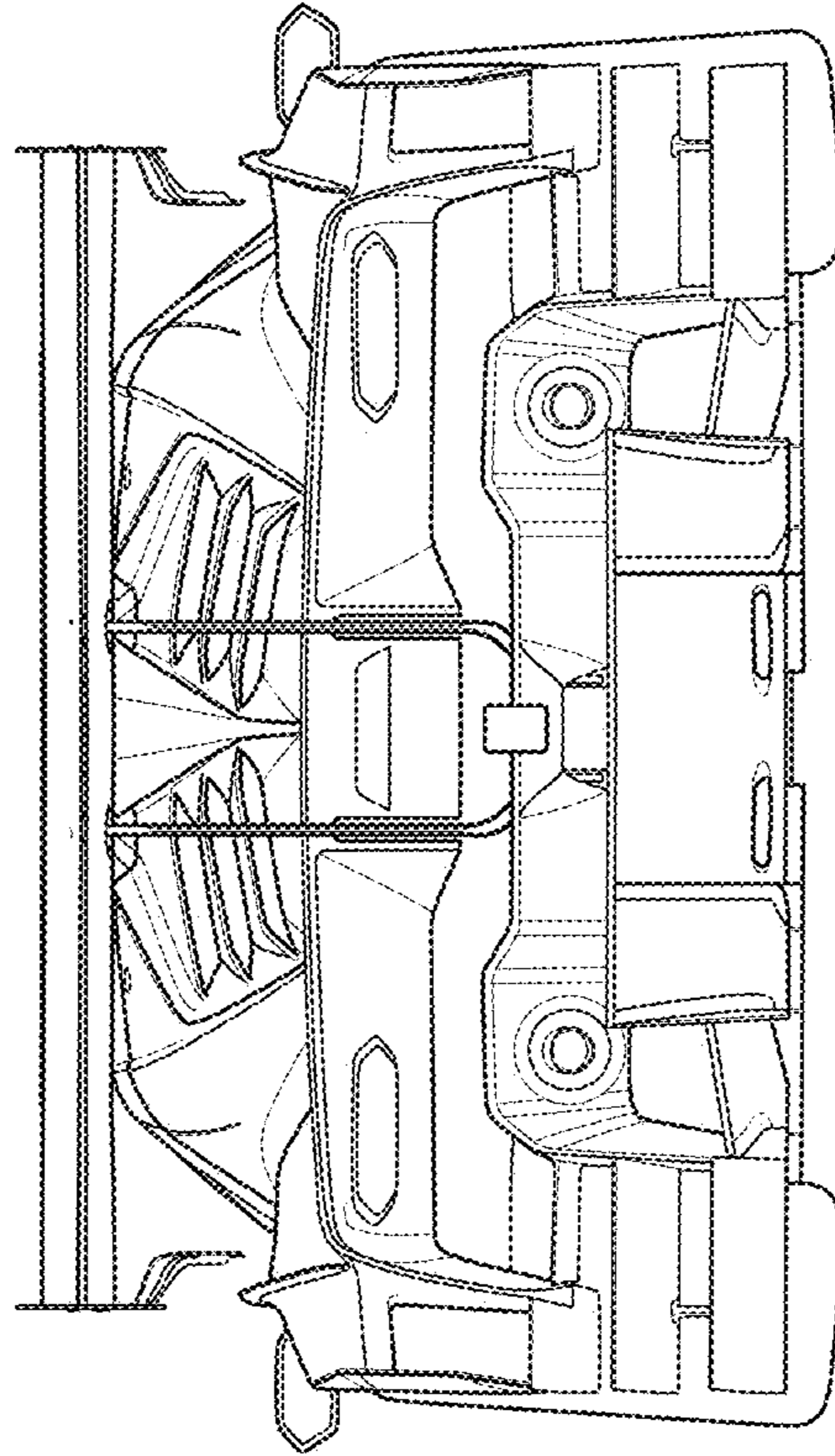


FIG. 6

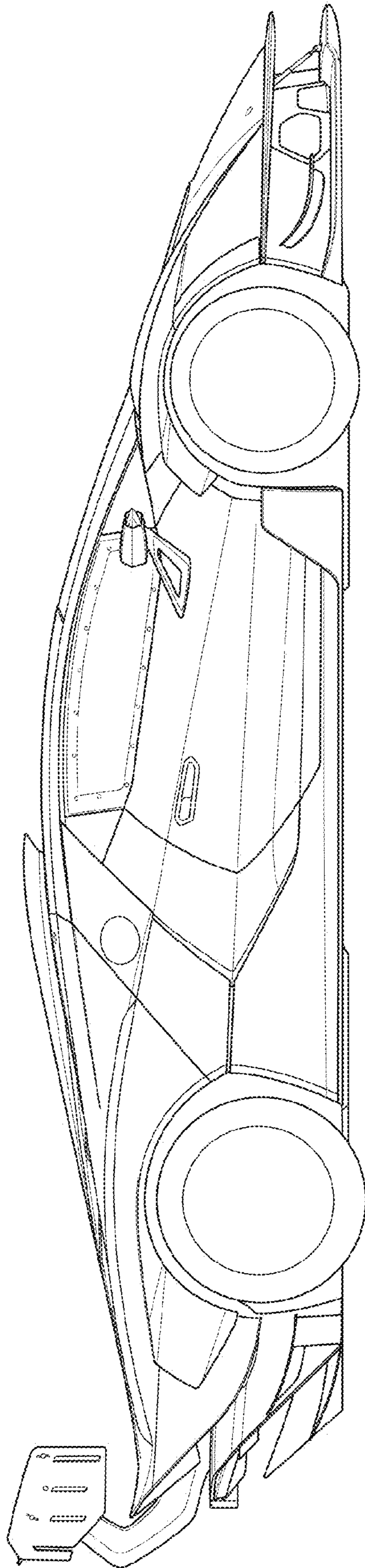


FIG. 7

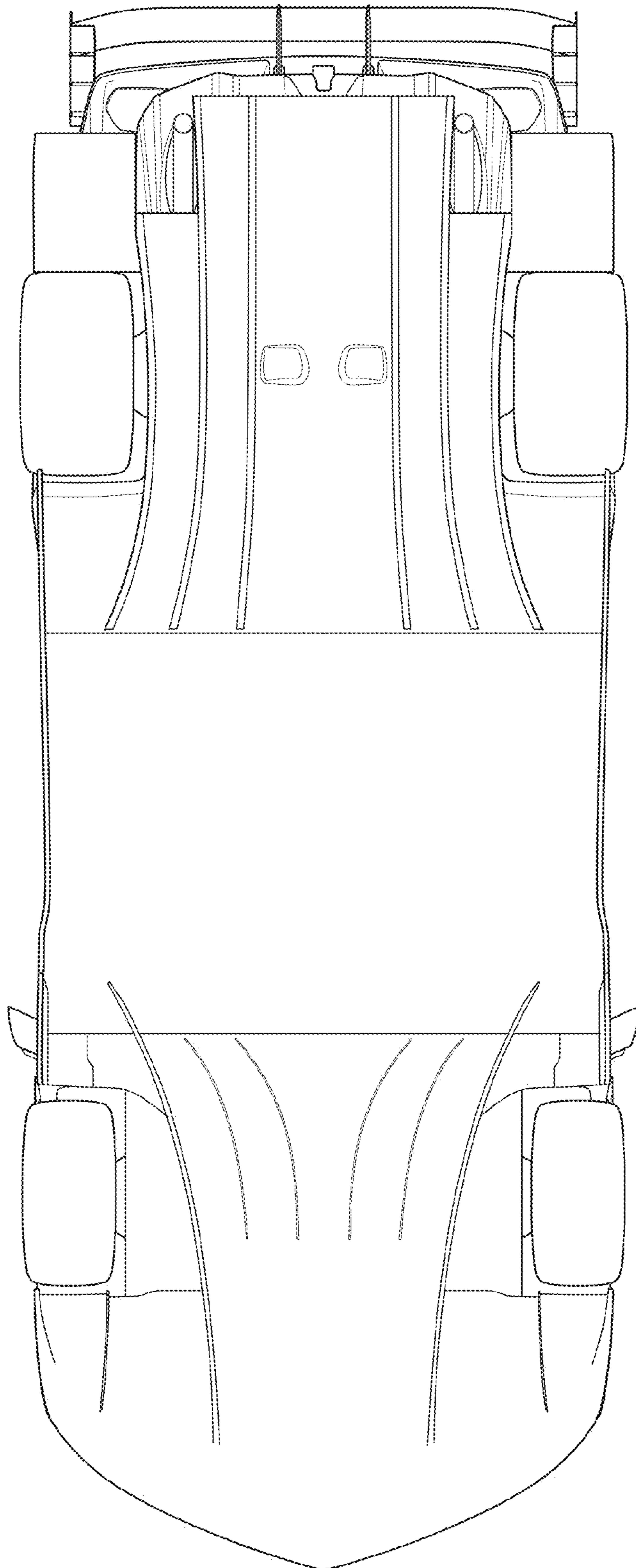


FIG. 8