



US00D945924S

(12) **United States Design Patent**  
**Borkert**

(10) **Patent No.:** **US D945,924 S**  
(45) **Date of Patent:** **\*\* Mar. 15, 2022**

(54) **CAR BODY, TOY CAR BODY REPLICA  
AND/OR OTHER REPLICA**

(71) Applicant: **AUTOMOBILI LAMBORGHINI  
S.P.A., Sant'Agata Bolognese (IT)**

(72) Inventor: **Mitja Borkert, Castelnuovo Rangone  
(IT)**

(73) Assignee: **Automobili Lamborghini S.p.A.,  
Sant'Agata Bolognese (IT)**

(\*\*) Term: **15 Years**

(21) Appl. No.: **29/739,303**

(22) Filed: **Jun. 24, 2020**

(30) **Foreign Application Priority Data**

Jan. 3, 2020 (EM) ..... 007470489-0001

(51) **LOC (13) Cl.** ..... **12-08**

(52) **U.S. Cl.**  
USPC ..... **D12/88**

(58) **Field of Classification Search**  
USPC ..... D12/86, 90-92, 164; D21/433, 434,  
D21/531-535; 296/181.1-181.5, 183.1  
CPC ..... B62D 25/00; B62D 25/06; B62D 33/00;  
B62D 35/00  
See application file for complete search history.

(56) **References Cited**

**U.S. PATENT DOCUMENTS**

D715,690 S *	10/2014	Perini	.....	D12/88
D768,035 S *	10/2016	Goto	.....	D12/88
D772,106 S *	11/2016	Hitzinger	.....	D12/88
D790,398 S *	6/2017	Perini	.....	D12/88
D790,402 S *	6/2017	Perini	.....	D12/92
D801,227 S *	10/2017	Stephenson	.....	D12/88
D839,133 S *	1/2019	Hilton	.....	D12/88
D844,488 S *	4/2019	Melville	.....	D12/88
D845,170 S *	4/2019	Melville	.....	D12/88

D869,336 S	12/2019	Borkert	
D871,969 S *	1/2020	Selipanov	..... D12/88
D873,176 S *	1/2020	Borkert	..... D12/88
D887,901 S *	6/2020	Shkinder	..... D12/92
D891,300 S *	7/2020	Borkert	..... D12/88
D891,301 S *	7/2020	Borkert	..... D12/88

(Continued)

**FOREIGN PATENT DOCUMENTS**

JP	1628891	4/2019
JP	1629034	4/2019

**OTHER PUBLICATIONS**

Japanese Search Report dated Nov. 25, 2020 from related Japanese Patent Application No. 2020-013537.

*Primary Examiner* — Melody N Brown

(74) *Attorney, Agent, or Firm* — Shuttleworth & Ingersoll, PLC; Timothy Klima

(57) **CLAIM**

The ornamental design for a car body, toy car body replica and/or other replica, as shown and described.

**DESCRIPTION**

FIG. 1 is a top, front and left side perspective view of a car body, toy car body replica and/or other replica showing my new design;

FIG. 2 is a top, rear and left side perspective view thereof;

FIG. 3 is a top view thereof;

FIG. 4 is a left side view thereof;

FIG. 5 is a front view thereof;

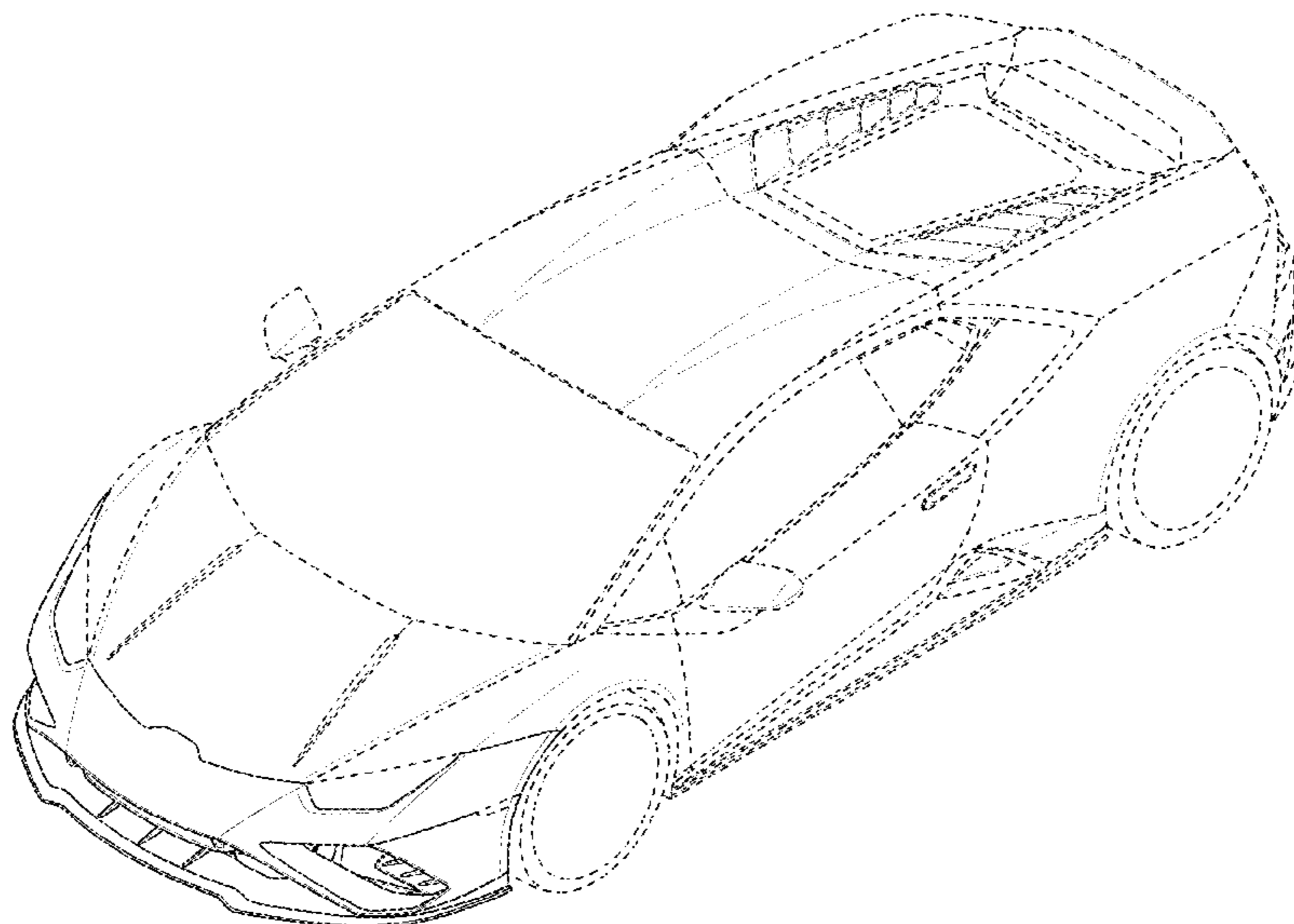
FIG. 6 is a rear view thereof;

FIG. 7 is a right side view thereof; and,

FIG. 8 is a bottom view thereof.

The broken lines shown throughout the drawing views are for illustrative and environmental purposes and form no part of the claimed design.

**1 Claim, 8 Drawing Sheets**



(56)

**References Cited**

U.S. PATENT DOCUMENTS

D897,900 S	*	10/2020	Borkert .....	D12/88
D899,305 S	*	10/2020	Melville .....	D12/88
D906,173 S	*	12/2020	Carr .....	D12/88
D906,888 S	*	1/2021	Satulovsky .....	D12/98
D911,874 S	*	3/2021	Melville .....	D12/88
D913,155 S	*	3/2021	Pishevar .....	D12/88
D913,848 S	*	3/2021	Suehlmann .....	D12/88
D914,542 S	*	3/2021	Jirec .....	D12/88
D915,239 S	*	4/2021	Cattabriga .....	D12/86
D918,312 S	*	5/2021	Manzoni .....	D21/548
D920,841 S	*	6/2021	Bonzanigo .....	D12/88

\* cited by examiner

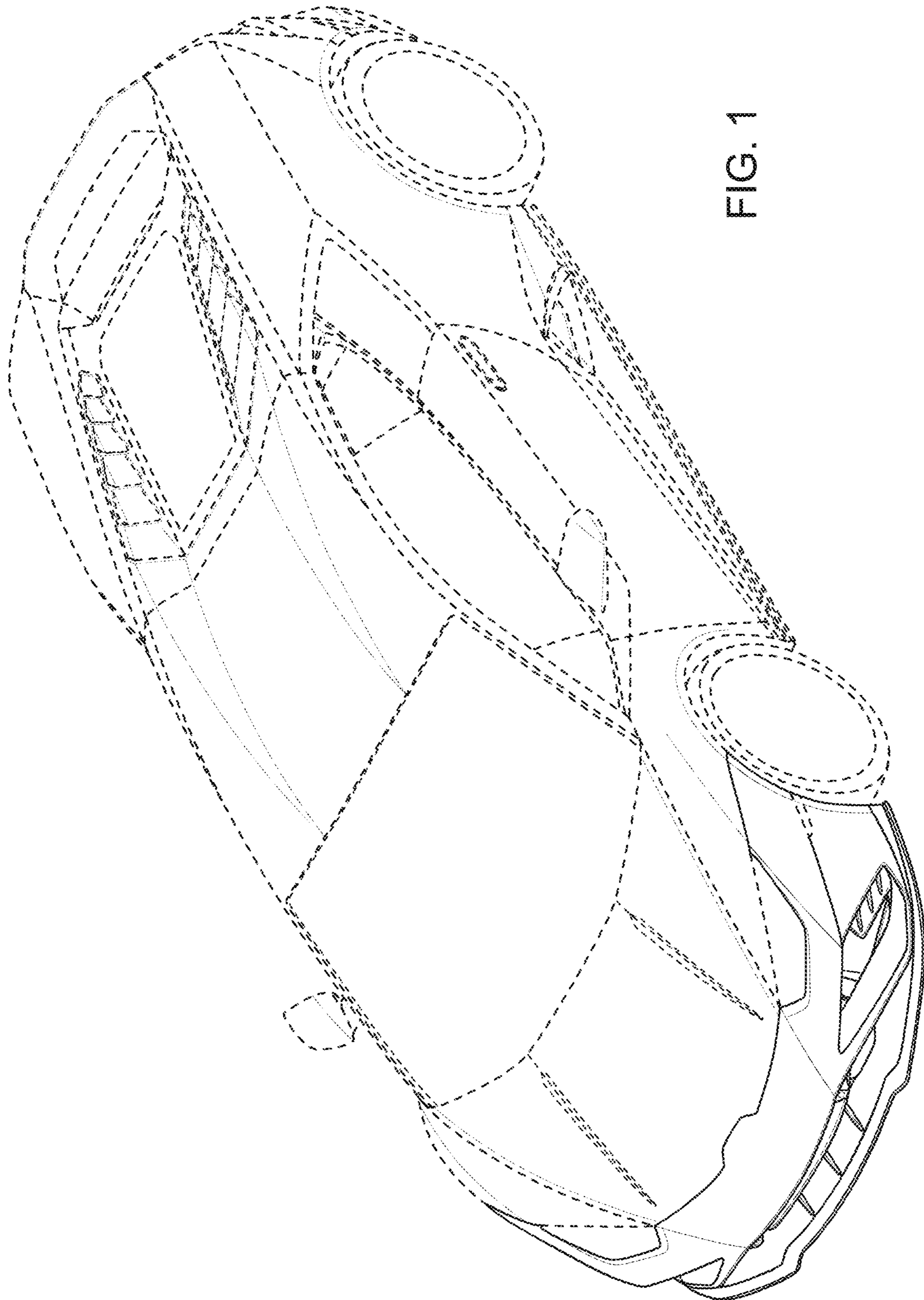


FIG. 1

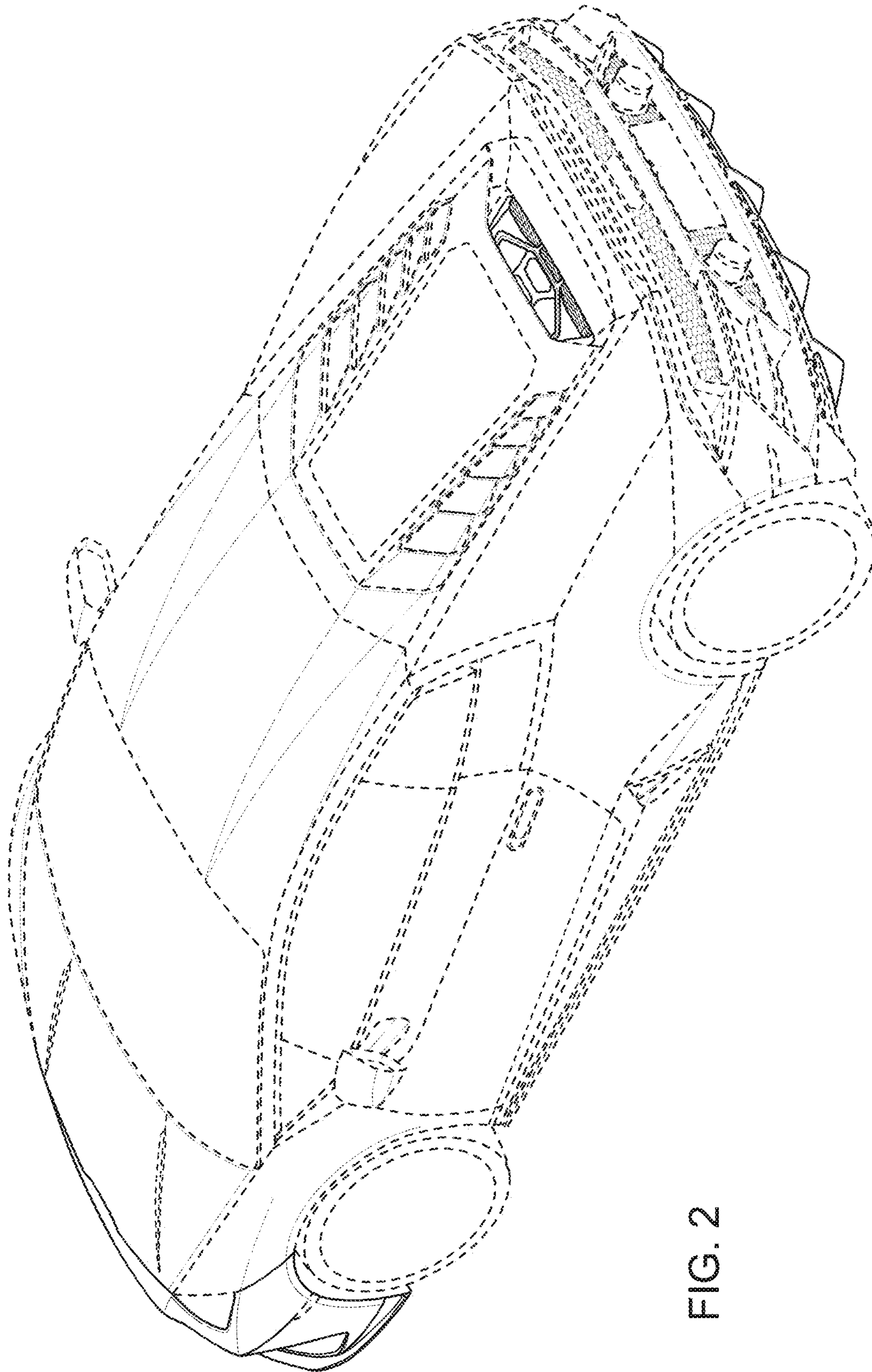


FIG. 2

FIG. 3

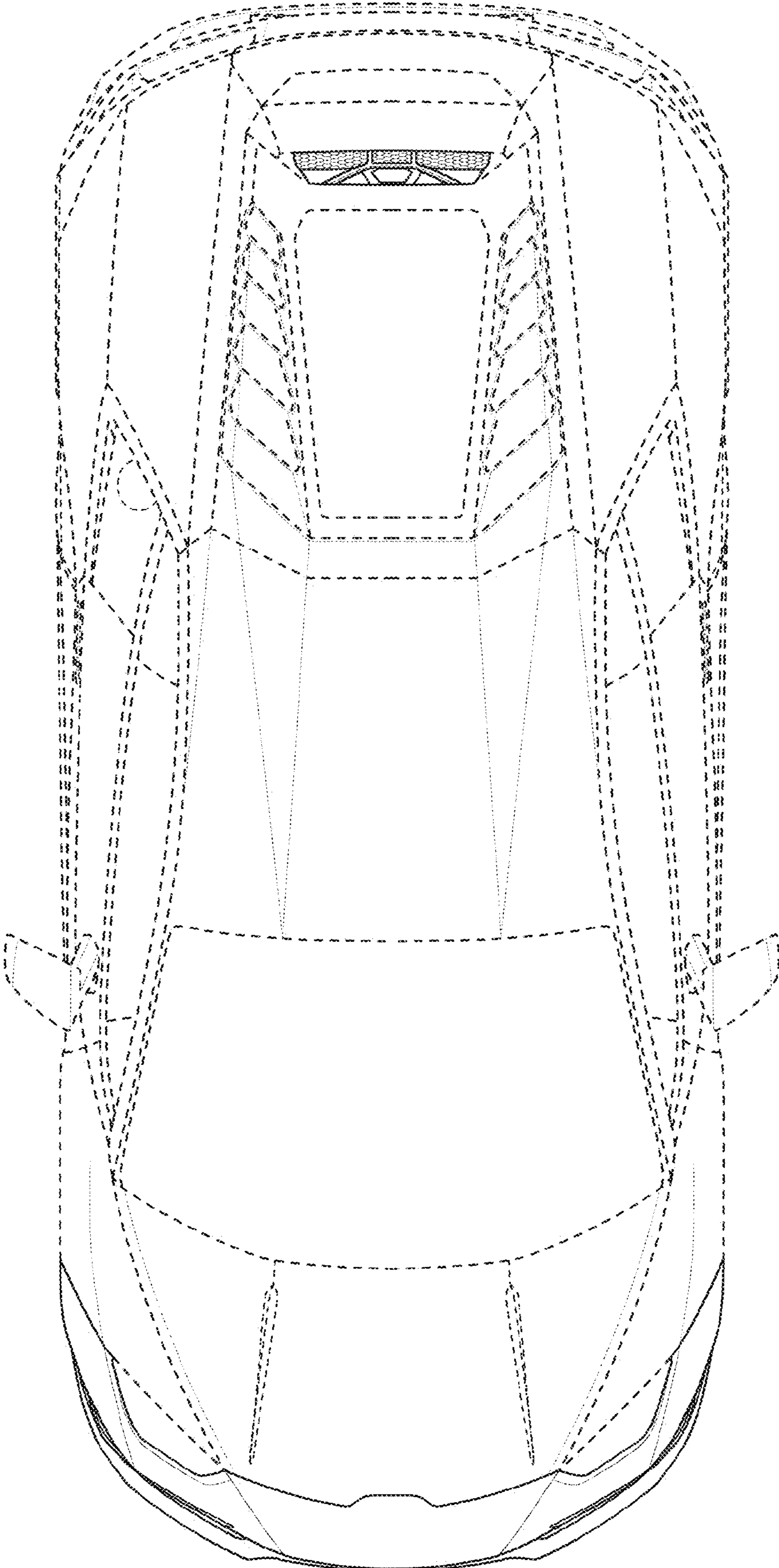


FIG. 4

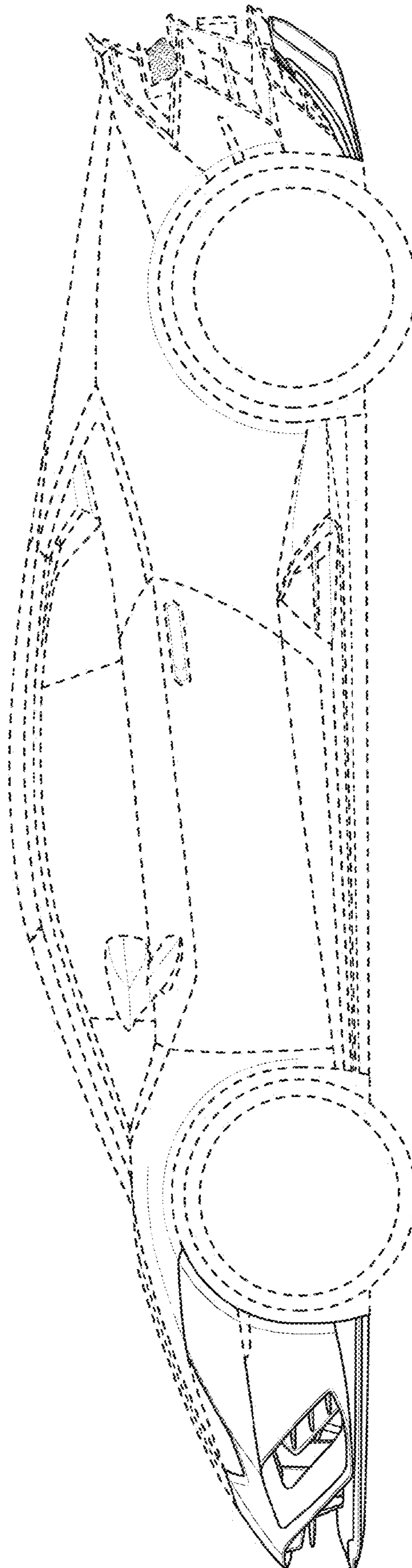


FIG. 5

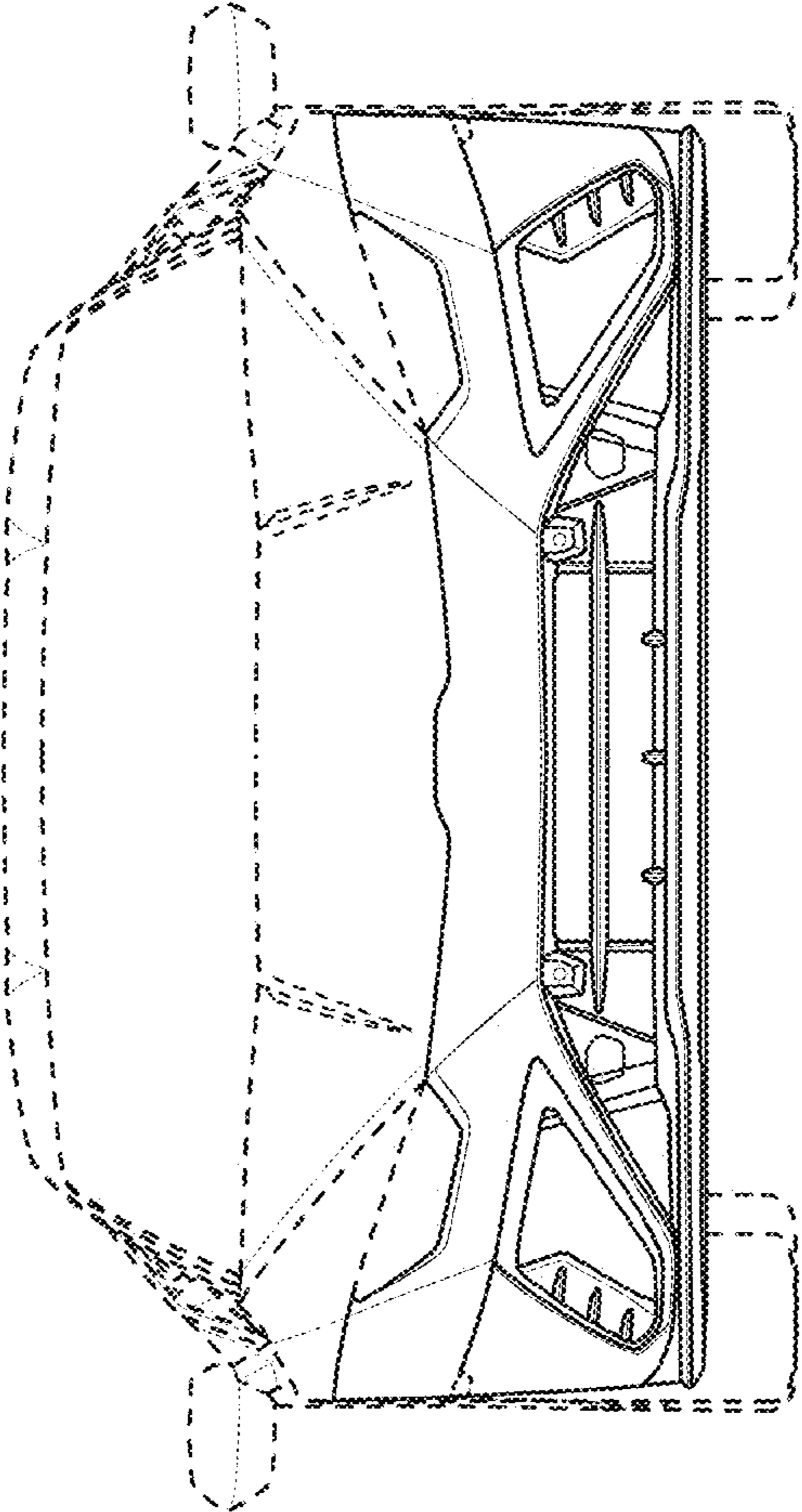


FIG. 6

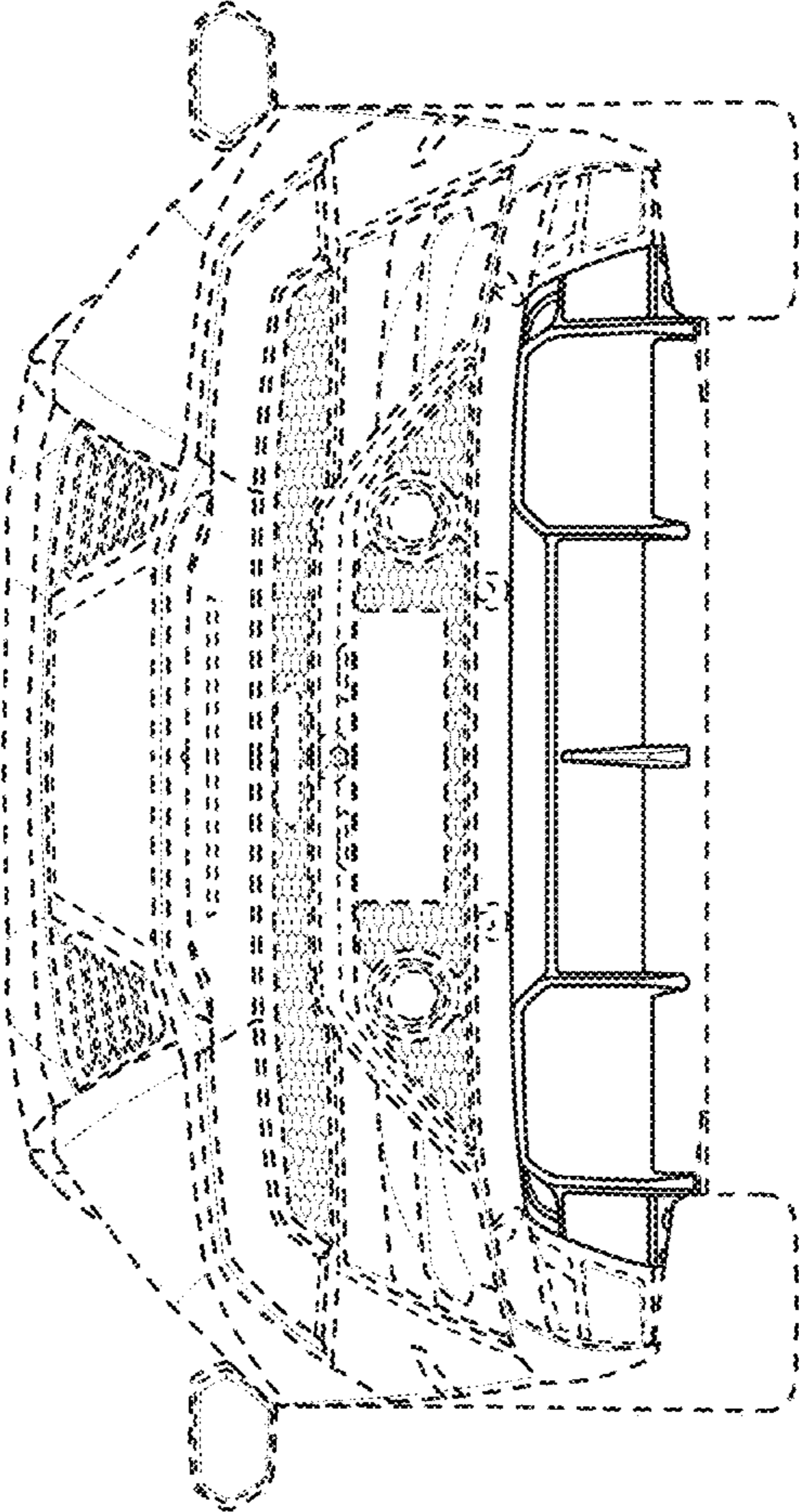




FIG. 7

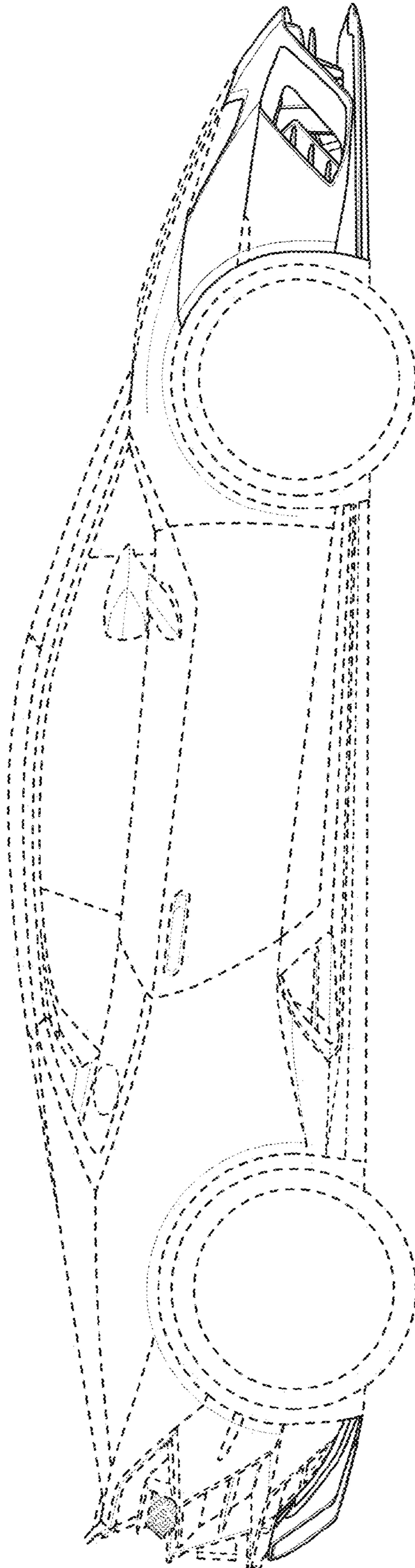


FIG. 8

