



US00D945923S

(12) **United States Design Patent** (10) **Patent No.:** **US D945,923 S**
Hu et al. (45) **Date of Patent:** **** Mar. 15, 2022**

(54) **ELECTRIC THREE-WHEELED VEHICLE**

(71) Applicant: **Beijing Niu Information Technology Co., Ltd.**, Beijing (CN)

(72) Inventors: **Yilin Hu**, Beijing (CN); **Chuankai Liu**, Beijing (CN); **Kai Yang**, Beijing (CN)

(73) Assignee: **BEIJING NIU INFORMATION TECHNOLOGY CO., LTD.**, Beijing (CN)

(**) Term: **15 Years**

(21) Appl. No.: **29/734,205**

(22) Filed: **May 11, 2020**

(30) **Foreign Application Priority Data**

Nov. 11, 2019 (CN) 201930618869.6

(51) **LOC (13) Cl.** **12-08**

(52) **U.S. Cl.**
USPC **D12/85**

(58) **Field of Classification Search**
USPC D12/85, 86, 107, 110, 112, 131;
D21/424, 433, 434
CPC B62D 21/11; B62D 29/043; B62D 31/00;
B62D 49/00; B62D 61/065; B62L 3/00;
B62K 3/005; B62K 5/01; B62K 5/08;
B62K 5/027

See application file for complete search history.

(56) **References Cited**

U.S. PATENT DOCUMENTS

D356,285 S * 3/1995 Yang D12/85
D404,688 S * 1/1999 Hanagan D12/85
D407,348 S * 3/1999 Riley D12/85
D424,979 S * 5/2000 Hanagan D12/85
D589,844 S * 4/2009 Aube D12/85

D592,548 S * 5/2009 Aube D12/85
D626,032 S * 10/2010 Starr D12/85
D682,158 S * 5/2013 Canni D12/85
D817,228 S * 5/2018 Kroll D12/85
D824,805 S * 8/2018 Karka D12/85
2021/0171148 A1* 6/2021 Acevedo Orduna .. B62K 5/027
2021/0197915 A1* 7/2021 Bishop B62J 50/22
2021/0347437 A1* 11/2021 DeLorme B62K 5/003

FOREIGN PATENT DOCUMENTS

RU 2014503011 * 3/2016

OTHER PUBLICATIONS

“NIU unveils 100 mph electric motorcycle” NIU., posted date Jan. 7, 2020 [online], [retrieved on Dec. 30, 2021]. Retrieved from the Internet <URL: <https://electrek.co/2020/01/07/niu-rqi-gt-electric-motorcycle-unveiled-affordability/>> (Year: 2020).*

(Continued)

Primary Examiner — Darlington Ly

Assistant Examiner — Nasim Abdulaziz Ali

(74) *Attorney, Agent, or Firm* — Robert C. Netter, Jr.;
Dann, Dorfman, Herrell & Skillman

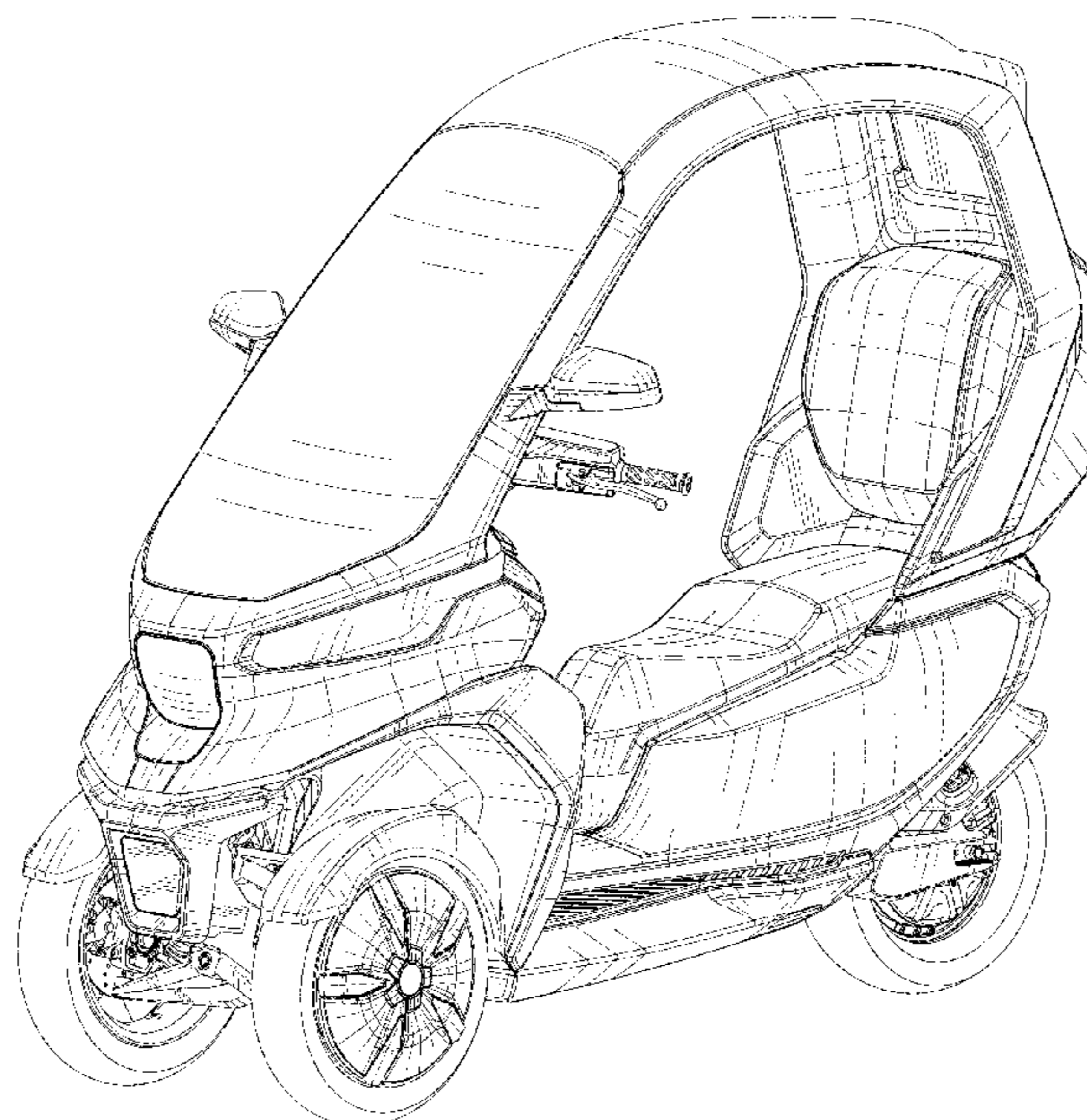
(57) **CLAIM**

We claim the ornamental design for an electric three-wheeled vehicle, as shown and described.

DESCRIPTION

FIG. 1 is a left side elevation view of an electric three-wheeled vehicle showing my new design; FIG. 2 is a right side elevation thereof; FIG. 3 is a front elevation view thereof; FIG. 4 is a rear elevation view thereof; FIG. 5 is a top plan view thereof; FIG. 6 is a bottom plan view thereof; and, FIG. 7 is a front perspective view thereof.

1 Claim, 7 Drawing Sheets



(56)

References Cited

OTHER PUBLICATIONS

“NIU presents a three-wheeled, self-balancing electric scooter” NIU., posted date Jan. 10, 2020 [online], [retrieved on Dec. 30, 2021]. Retrieved from the Internet <URL: <https://www.inceptivemind.com/niu-tqi-gt-three-wheeled-self-balancing-electric-scooter/11224/>> (Year: 2020).*

“Coming Soon #niumobility” NIU., posted date Nov. 25, 2021 [online], [retrieved on Dec. 30, 2021]. Retrieved from the Internet <URL: <https://www.niuhull.co.uk/coming-soon>> (Year: 2021).*

* cited by examiner

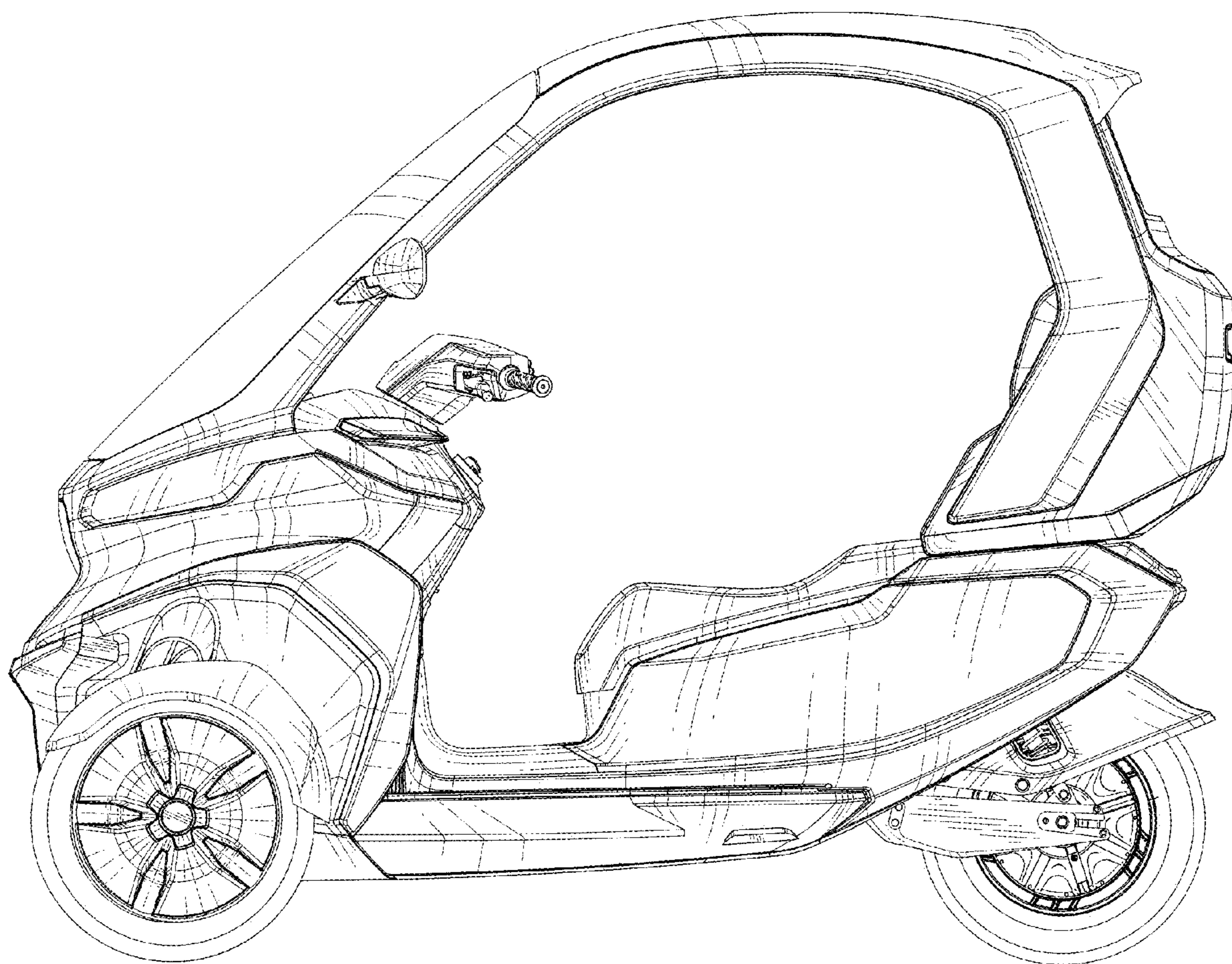


FIG. 1

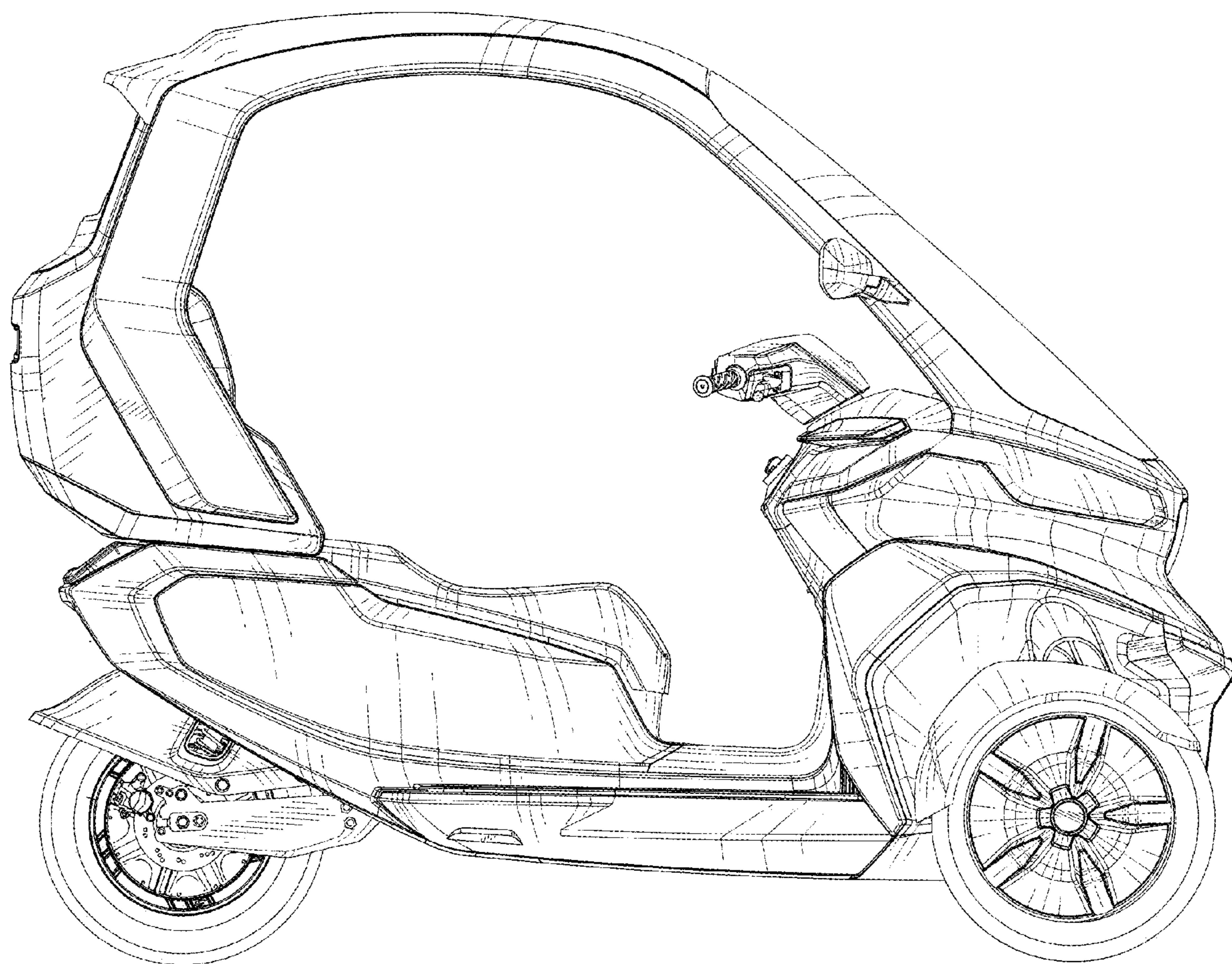


FIG. 2

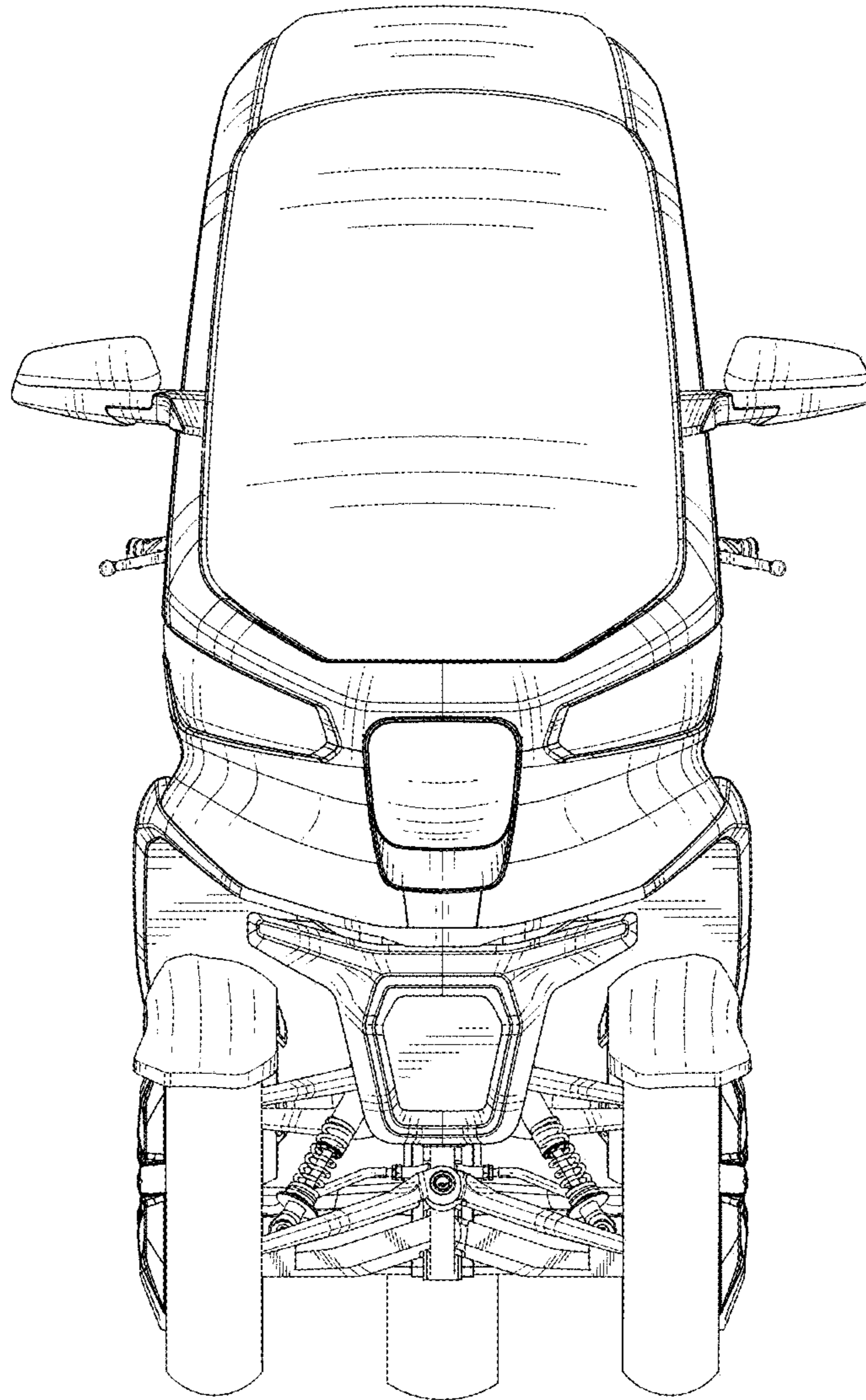


FIG.3

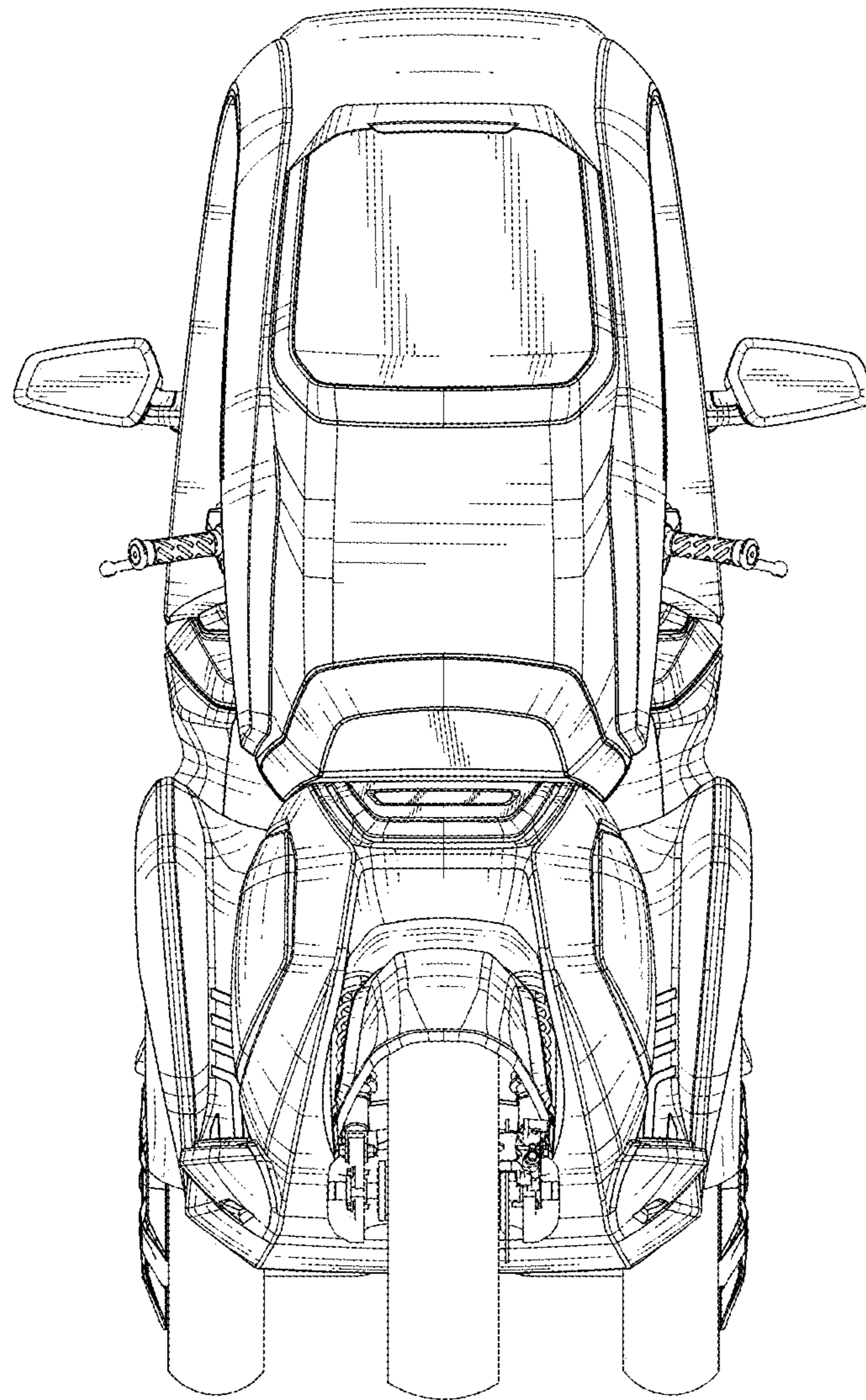


FIG.4

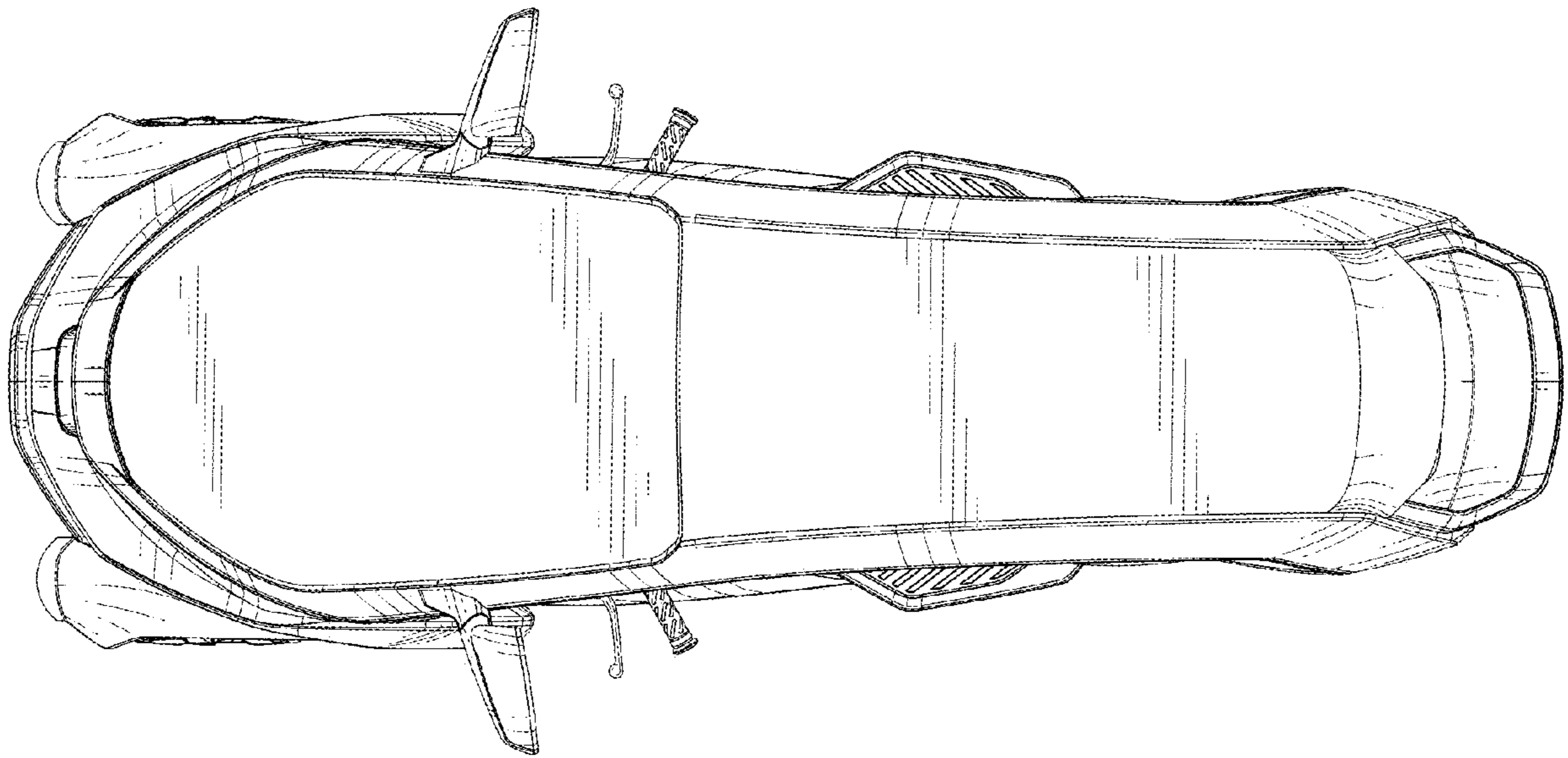


FIG.5

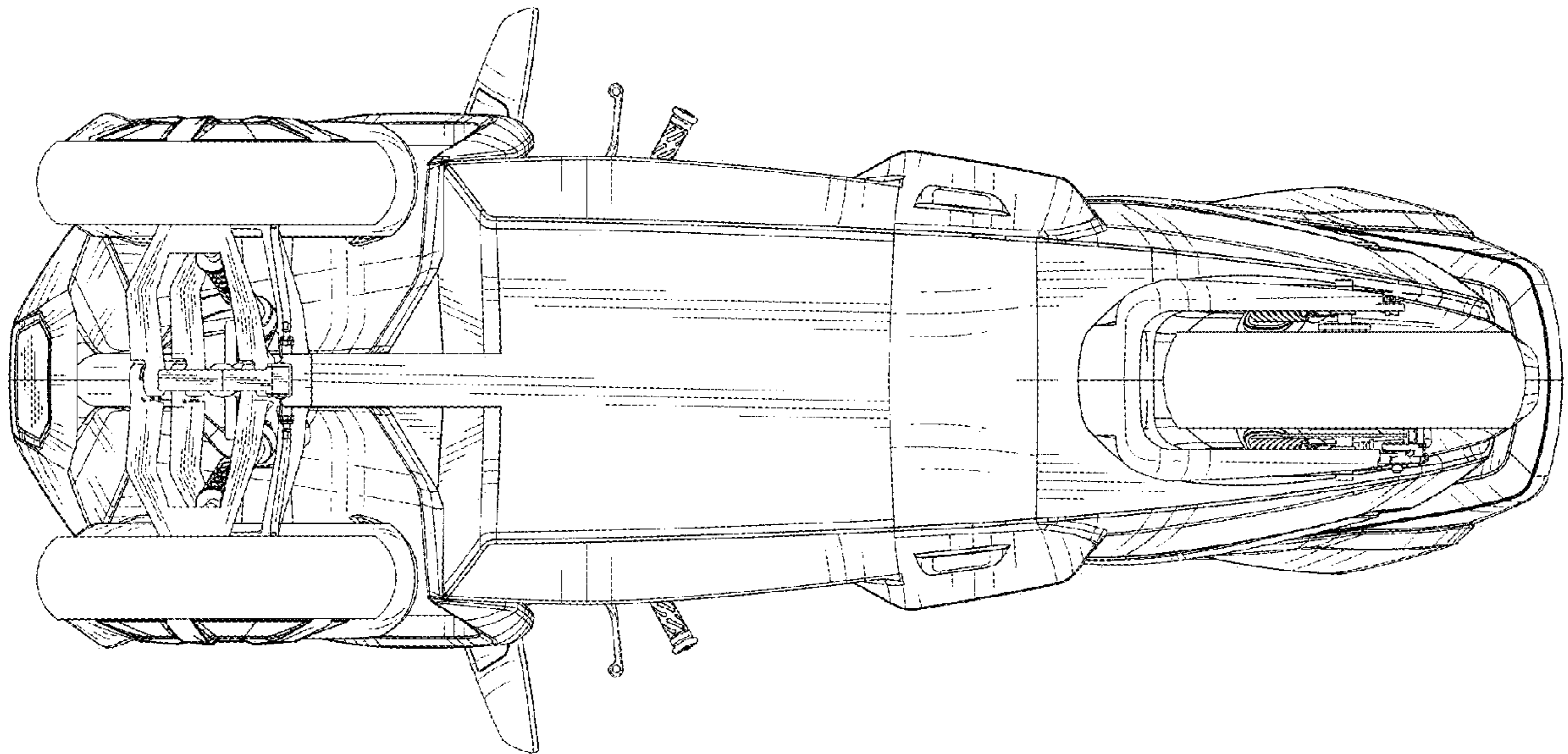


FIG.6



FIG.7