

US00D945922S

(12) **United States Design Patent**
Gao

(10) **Patent No.:** **US D945,922 S**
(45) **Date of Patent:** **** Mar. 15, 2022**

- (54) **BUCKLE**
- (71) Applicant: **Foshan Tuorun Precision Hardware Technology Co., Ltd., Foshan (CN)**
- (72) Inventor: **Maoyang Gao, Foshan (CN)**
- (73) Assignee: **Foshan Tuorun Precision Hardware Technology Co., Ltd.**
- (**) Term: **15 Years**
- (21) Appl. No.: **29/702,940**
- (22) Filed: **Aug. 22, 2019**
- (51) **LOC (13) Cl.** **02-07**
- (52) **U.S. Cl.**
USPC **D11/216**
- (58) **Field of Classification Search**
USPC D11/200, 201, 206, 212, 215, 216, 218,
D11/220; D29/100–101.5; D3/216;
D2/627–640; D6/333; D8/44, 349, 356,
D8/382, 383, 394, 395, 398, 71, 72, 74
CPC ... A44B 11/001; A44B 11/005; A44B 11/008;
A44B 11/02; A44B 11/00; A44B 11/065;
A44B 11/08; A44B 11/10; A44B 11/12;
A44B 11/125; A44B 11/14; A44B 11/226;
A44B 11/25; A44B 11/2503; A44B
11/2507; A44B 11/2511; A44B 11/2515;
A44B 11/2519; A44B 11/2523; A44B
11/253; A44B 11/2538; A44B 11/2549;
A44B 11/2553; A44B 11/2557; A44B
11/2561; A44B 11/2569; A44B 11/2576;
A44B 11/258; A44B 11/2588; A44B
11/26
See application file for complete search history.

- D702,594 S * 4/2014 Lin D11/216
- D703,580 S * 4/2014 Lin D11/216
- D705,122 S * 5/2014 Nykoluk D11/216
- D710,249 S * 8/2014 Nilsen D11/218
- 10,743,624 B1 * 8/2020 Hsu A44B 11/2519
- D902,780 S * 11/2020 Gao D11/216
- 2010/0071173 A1 * 3/2010 Hortnagl A44B 11/2592
24/651
- 2013/0291344 A1 * 11/2013 Hortnagl A44B 11/10
24/196
- 2014/0082902 A1 * 3/2014 Hortnagl A44B 11/2519
24/664
- 2015/0089777 A1 * 4/2015 Hung A44B 11/2511
24/593.1

(Continued)

OTHER PUBLICATIONS

Alibaba Turun Belt Buckle, no date available, [online],[site visited Jan. 6, 2021]. Retrieved from url:https://www.alibaba.com/product-detail/Belt-accessories-army-belt-buckle-Metal_1600161295919.html (Year: 2021).*

Primary Examiner — Wendy L Arminio
Assistant Examiner — Tracey J Bell

(57) **CLAIM**

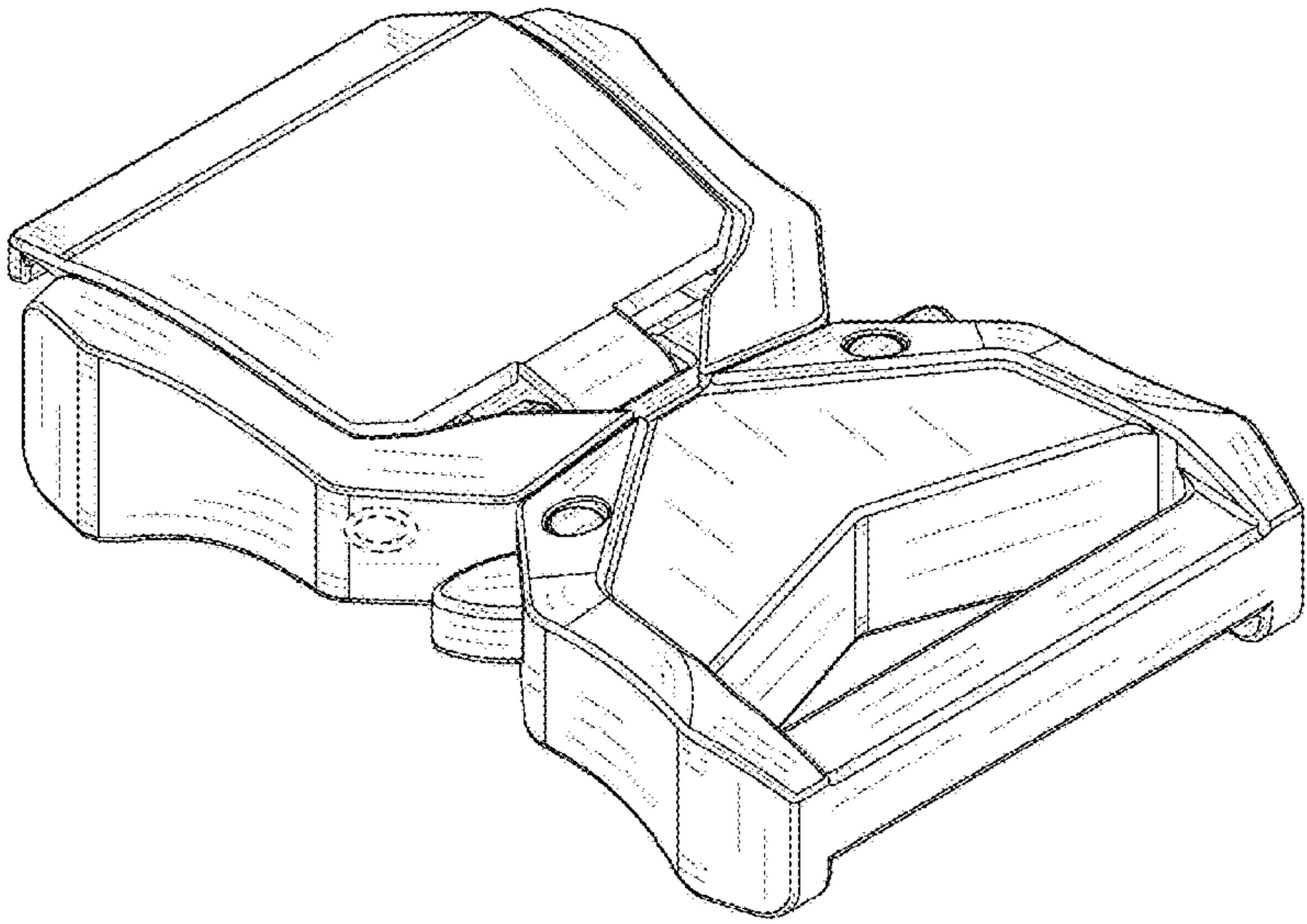
The ornamental design for a buckle, as shown and described.

DESCRIPTION

FIG. 1 is a front view of a buckle, showing my new design; FIG. 2 is a back view thereof; FIG. 3 is a left side view thereof; FIG. 4 is a right side view thereof; FIG. 5 is a top view thereof; FIG. 6 is a bottom view thereof; and, FIG. 7 is a perspective view thereof. In the drawings, the broken lines illustrate portions of the article which form no part of the claimed design.

1 Claim, 7 Drawing Sheets

- (56) **References Cited**
U.S. PATENT DOCUMENTS
D621,743 S * 8/2010 Hortnagl D11/216
D621,744 S * 8/2010 Hortnagl D11/218



(56)

References Cited

U.S. PATENT DOCUMENTS

2016/0174667 A1* 6/2016 Hsu F16B 2/06
24/611

* cited by examiner

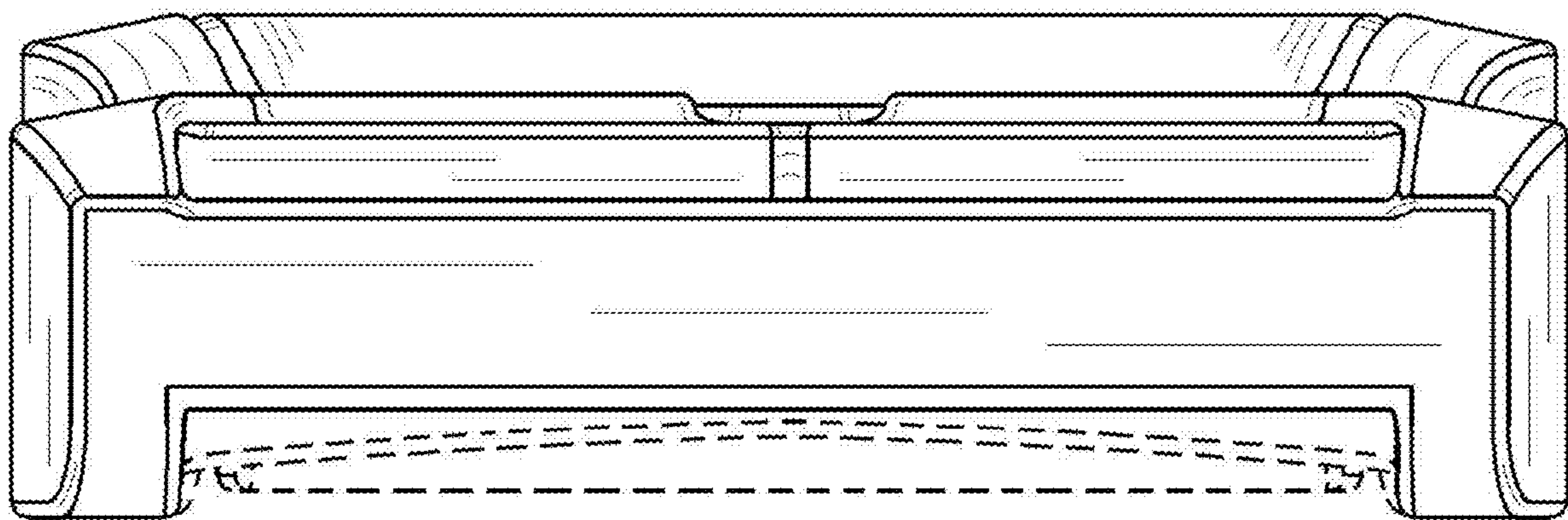


FIG. 1

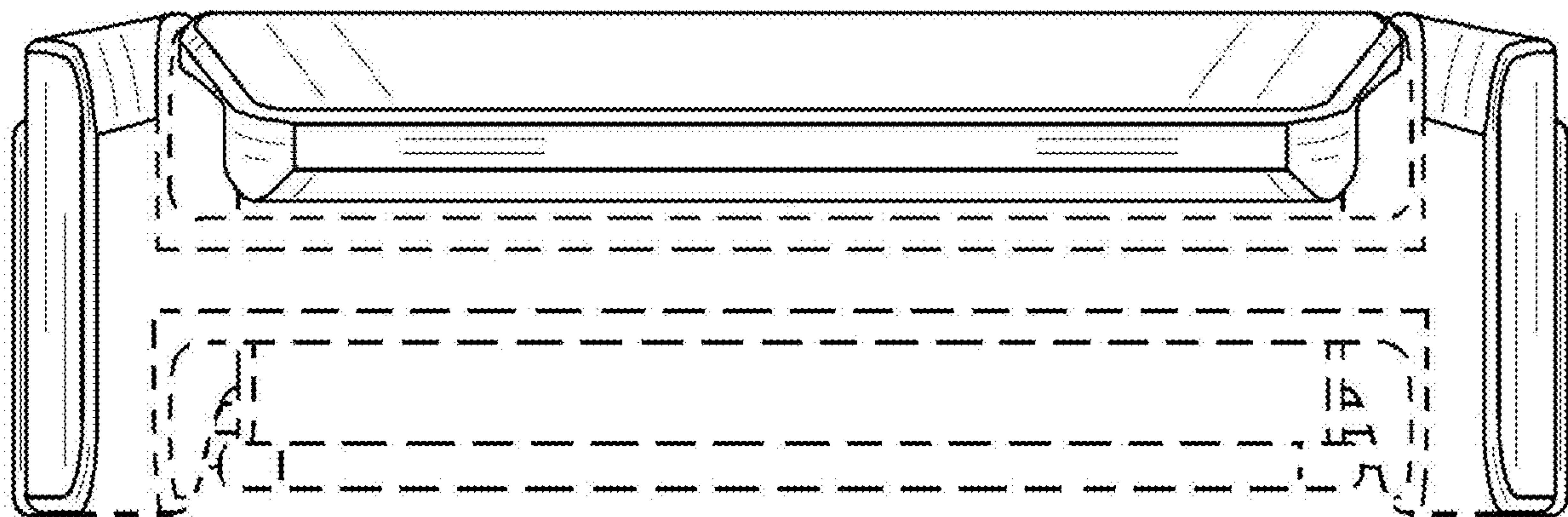


FIG. 2

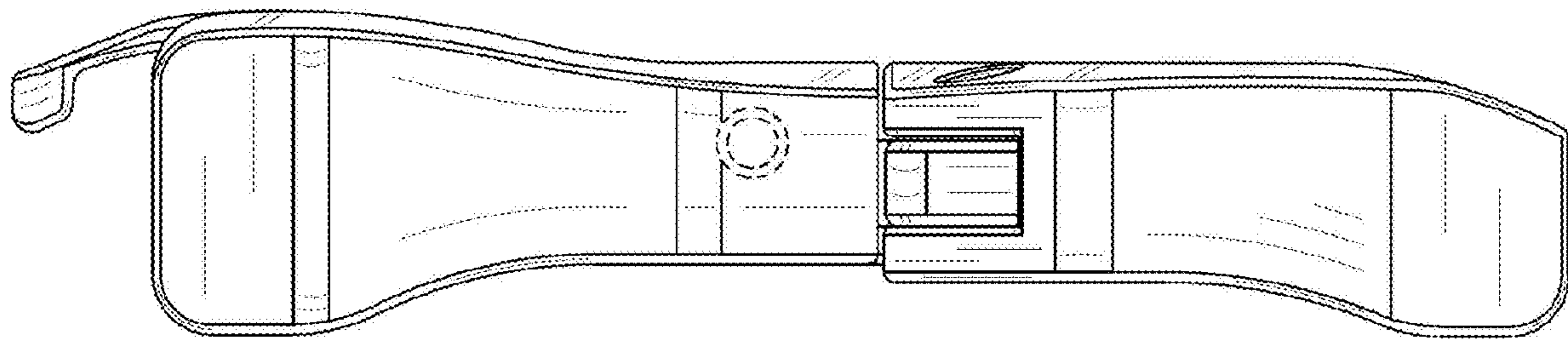


FIG. 3

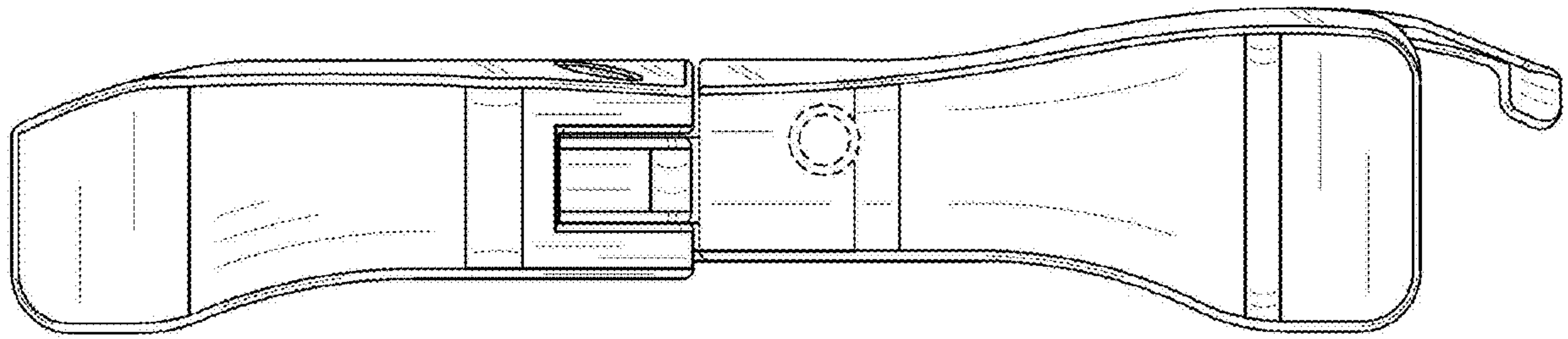


FIG. 4

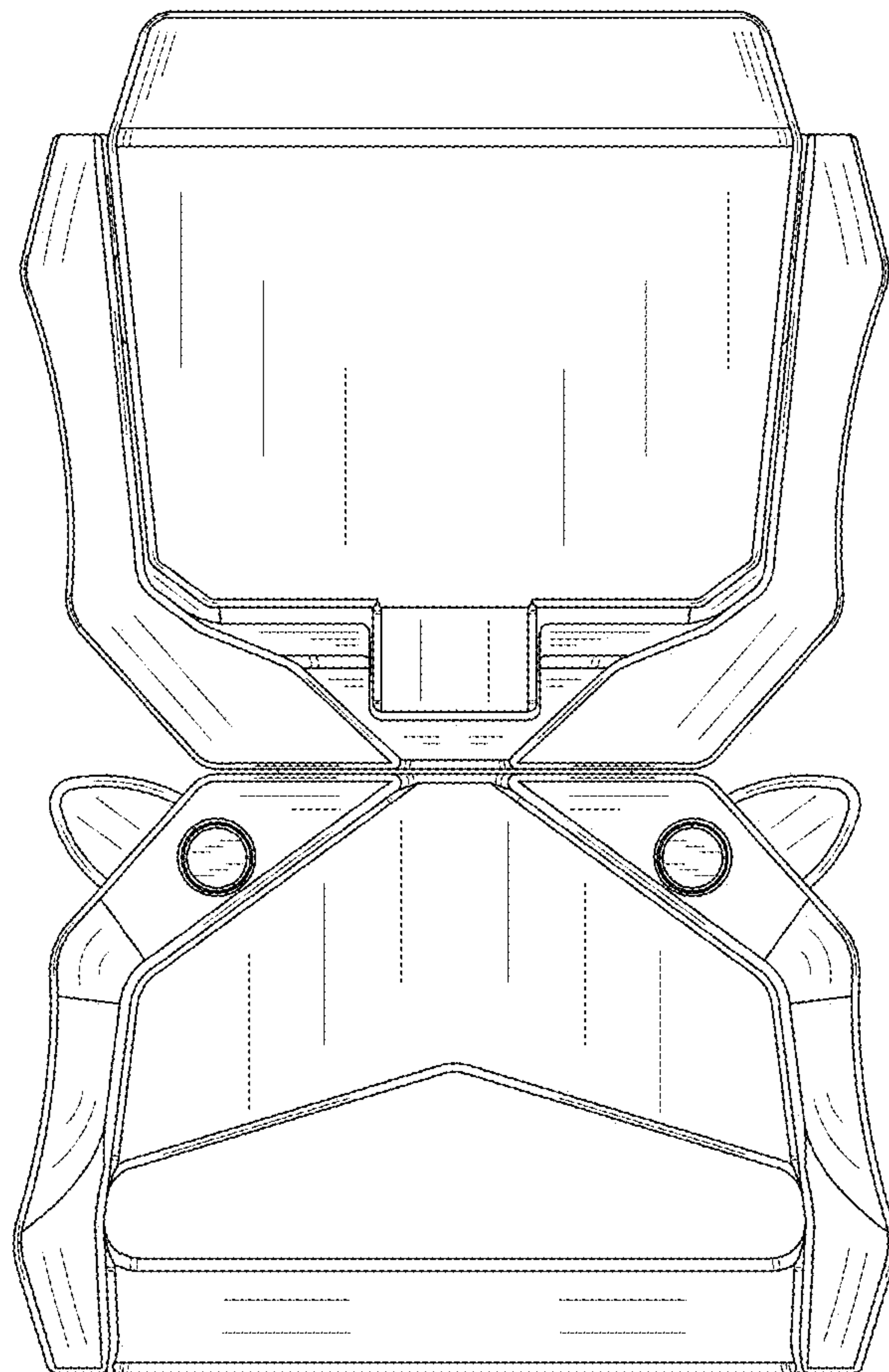


FIG. 5

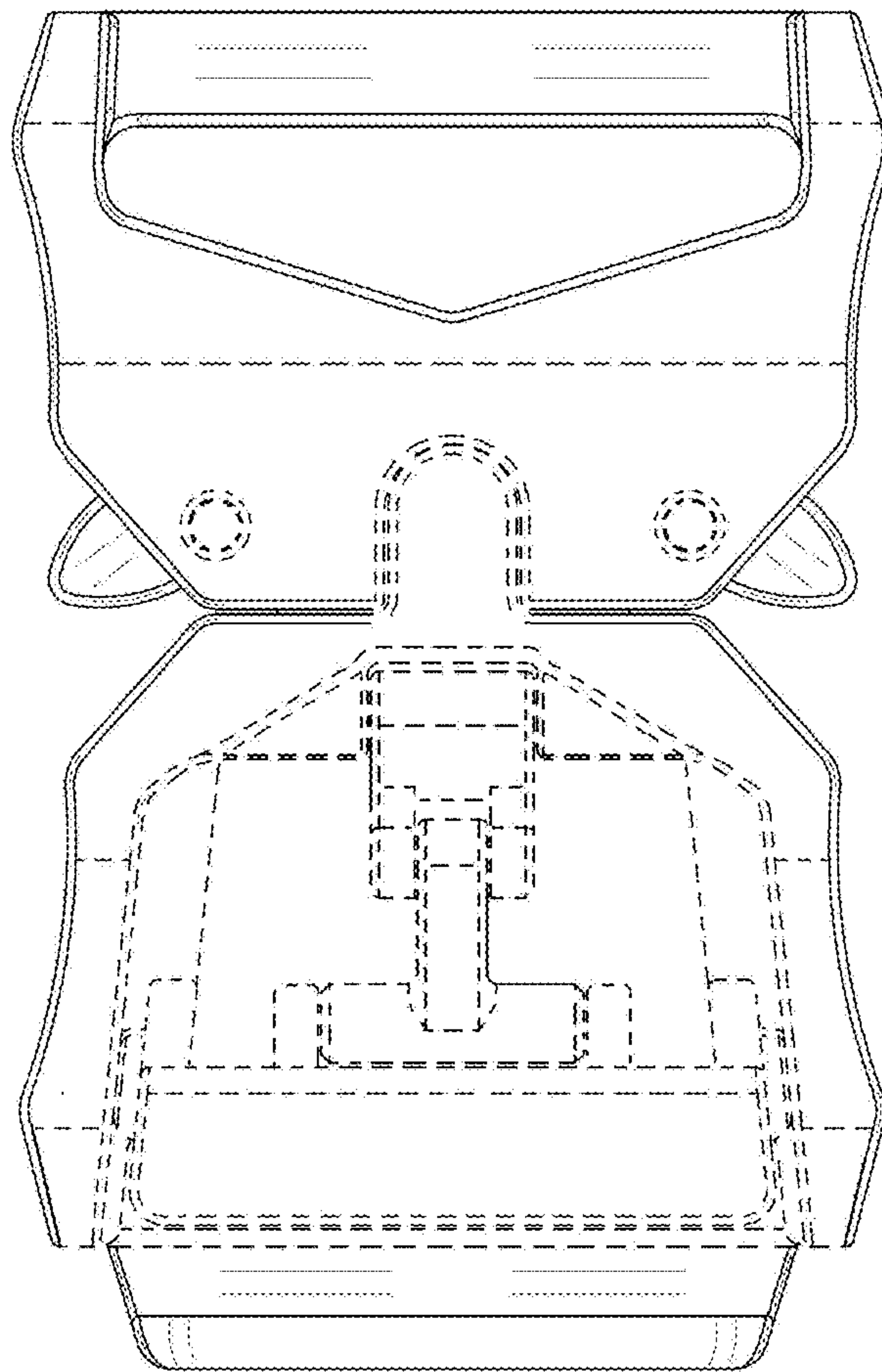


FIG. 6

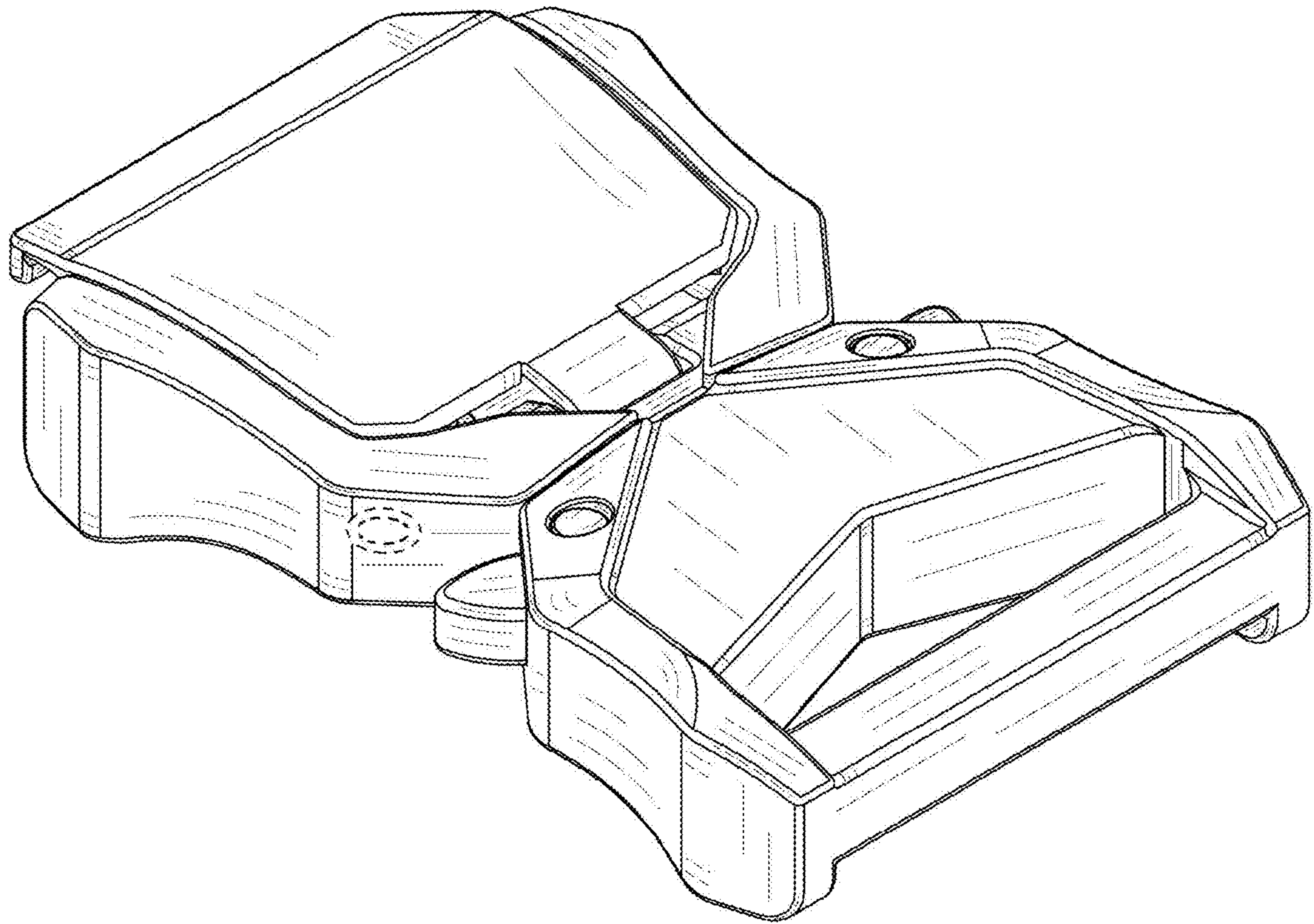


FIG. 7