



US00D945921S

(12) **United States Design Patent**
Chang

(10) **Patent No.:** **US D945,921 S**

(45) **Date of Patent:** **** Mar. 15, 2022**

(54) **HYDROPONICS GARDEN SYSTEM**

(71) Applicant: **Chi-Huai Chang**, Douliu (TW)

(72) Inventor: **Chi-Huai Chang**, Douliu (TW)

(**) Term: **15 Years**

(21) Appl. No.: **29/774,775**

(22) Filed: **Mar. 19, 2021**

(51) **LOC (13) Cl.** **11-02**

(52) **U.S. Cl.**
USPC **D11/144**

(58) **Field of Classification Search**
USPC D11/143–156, 164; D26/55;
D6/403–405, 556–558

CPC A01G 31/02; A01G 31/006; A01G 9/02;
A01G 9/06; A01G 27/003

See application file for complete search history.

(56) **References Cited**

U.S. PATENT DOCUMENTS

- 3,936,156 A * 2/1976 Shaw G02B 25/005
359/802
- D244,838 S * 6/1977 LeBreux D11/144
- D397,521 S * 8/1998 Gomi D30/101
- D416,102 S * 11/1999 Schulman D11/144
- D586,688 S * 2/2009 Bromley D11/144
- D604,196 S * 11/2009 Bissonnette D11/144
- D604,197 S * 11/2009 Bissonnette D11/144
- D645,779 S * 9/2011 Bradley D11/164
- 8,261,486 B2 9/2012 Bissonnette et al.
- D713,284 S * 9/2014 Prinster A01G 31/02
D11/143
- D729,115 S * 5/2015 Prinster D11/144
- D760,118 S * 6/2016 Lepp D11/142
- D760,622 S 7/2016 Ogden
- 9,528,694 B2 * 12/2016 Lin A01G 27/003
- D792,808 S * 7/2017 Verneuil D11/144

- D840,076 S * 2/2019 Hart D26/55
- D864,016 S * 10/2019 Woltz D11/143
- D888,602 S * 6/2020 Kadosh D11/144
- D888,603 S * 6/2020 Tong D11/144
- 10,757,875 B2 * 9/2020 Loiske A01G 31/02
- D924,724 S * 7/2021 Li D11/155
- 2006/0272210 A1 * 12/2006 Bissonnette A01G 31/02
47/69
- 2008/0276534 A1 * 11/2008 Bissonnette A01G 27/003
47/62 R
- 2009/0151248 A1 * 6/2009 Bissonnette A01G 31/02
47/59 S
- 2015/0305258 A1 * 10/2015 Broutin Farah A01G 31/02
700/90
- 2017/0150687 A1 * 6/2017 Loiske A01G 7/045
- 2019/0200541 A1 * 7/2019 Park A01G 9/042
- 2020/0053969 A1 * 2/2020 Gehin A01G 24/15
- 2020/0068809 A1 * 3/2020 Ko H05B 47/16

FOREIGN PATENT DOCUMENTS

TW 003446426-0002 * 10/2016

* cited by examiner

Primary Examiner — Elizabeth A. Albert

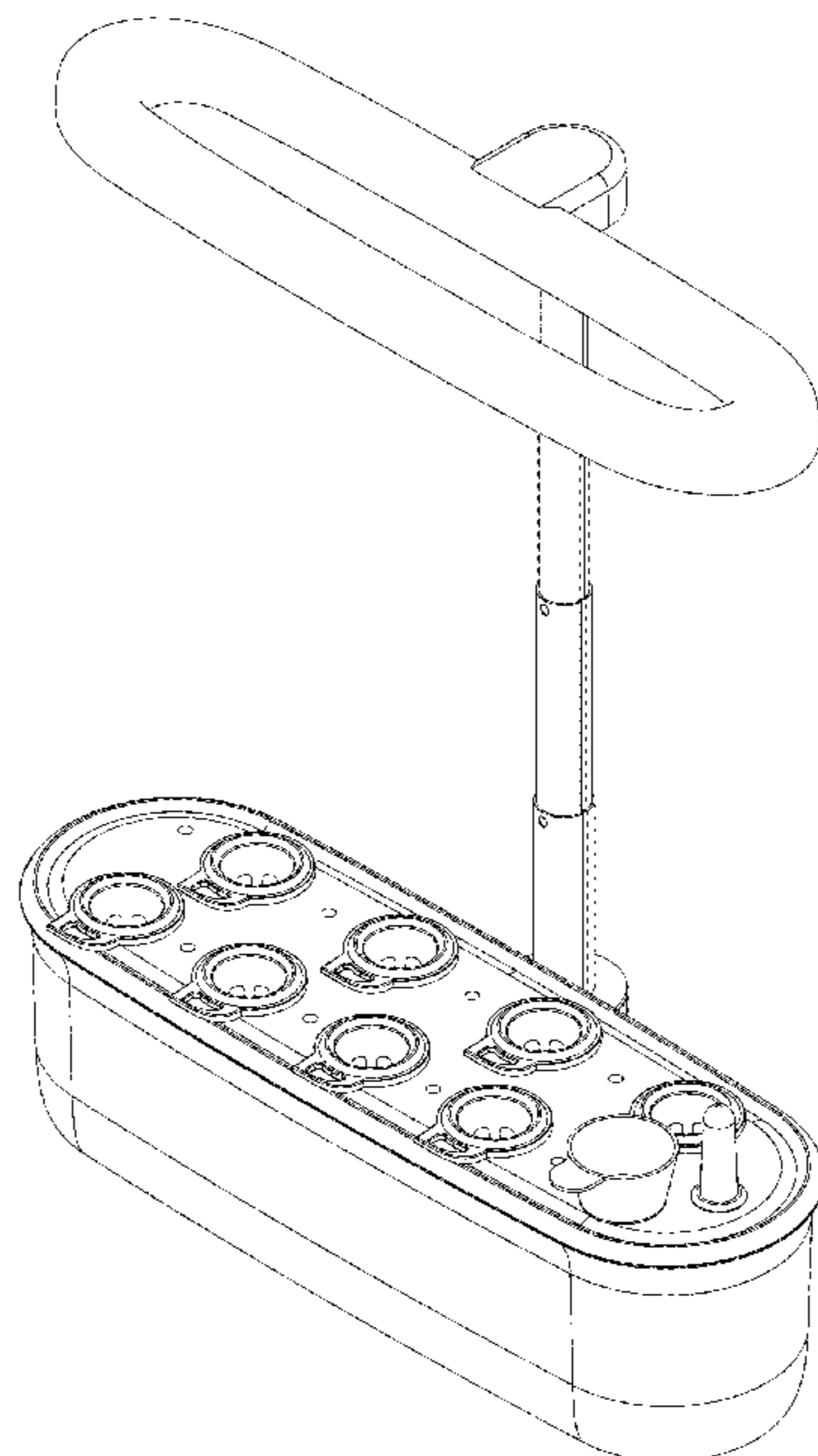
(57) **CLAIM**

The ornamental design for a hydroponics garden system, as shown and described.

DESCRIPTION

FIG. 1 is a perspective view of a hydroponics garden system showing my new design;
 FIG. 2 is a front elevation view thereof;
 FIG. 3 is a back elevation view thereof;
 FIG. 4 is a left side view thereof;
 FIG. 5 is a right side view thereof;
 FIG. 6 is a top plan view thereof; and,
 FIG. 7 is a bottom plan view thereof.

1 Claim, 7 Drawing Sheets



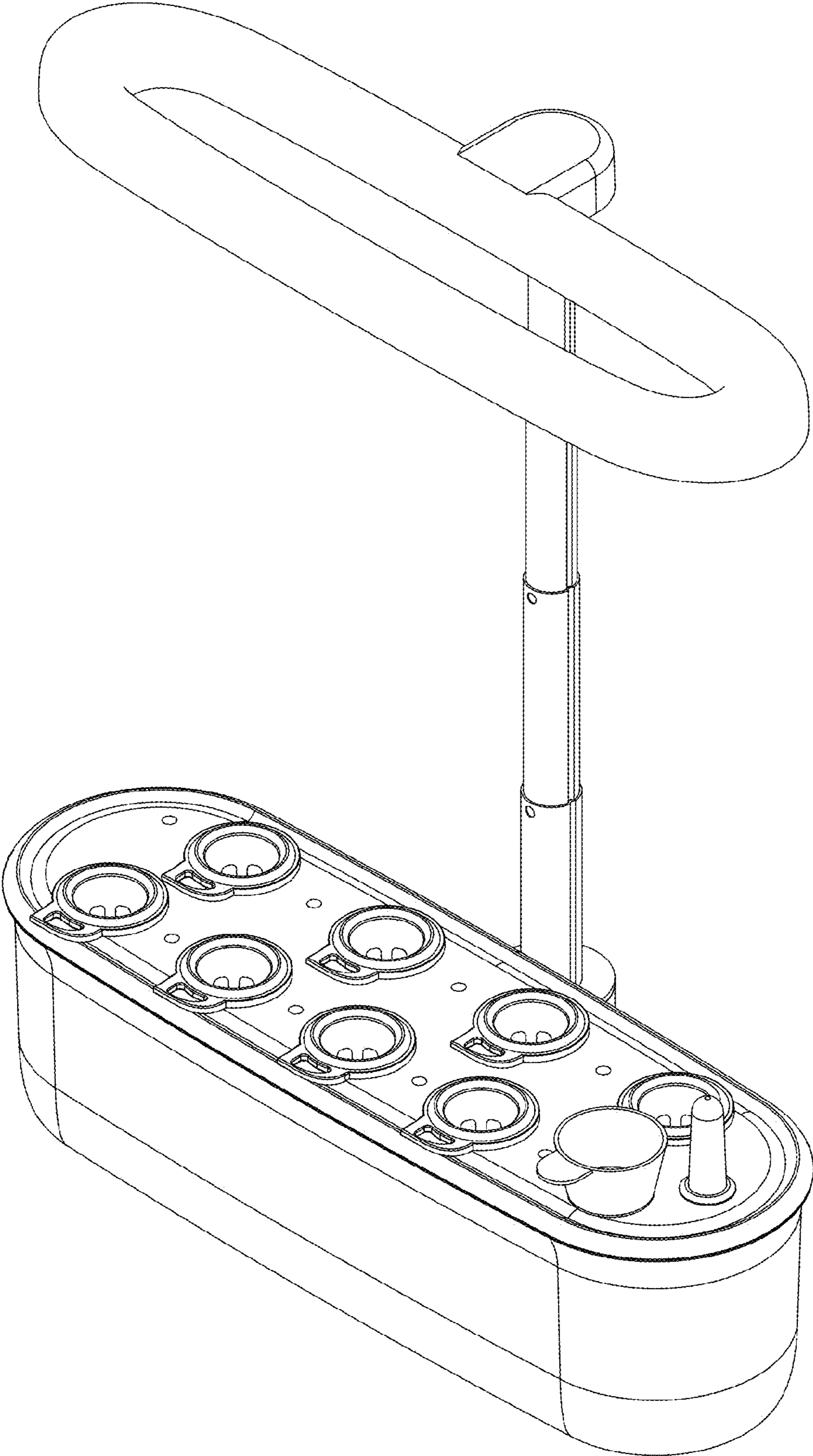


FIG. 1

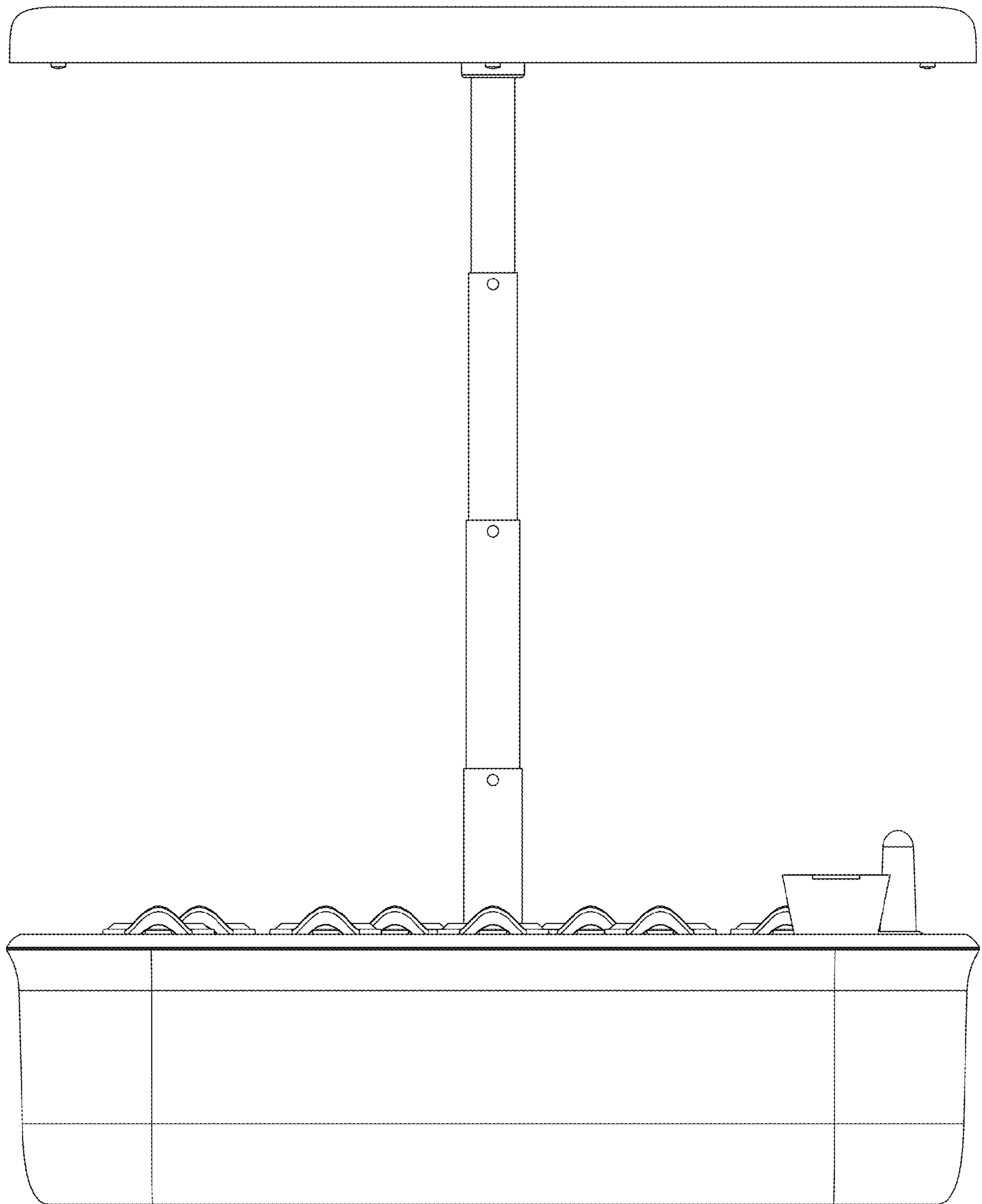


FIG. 2

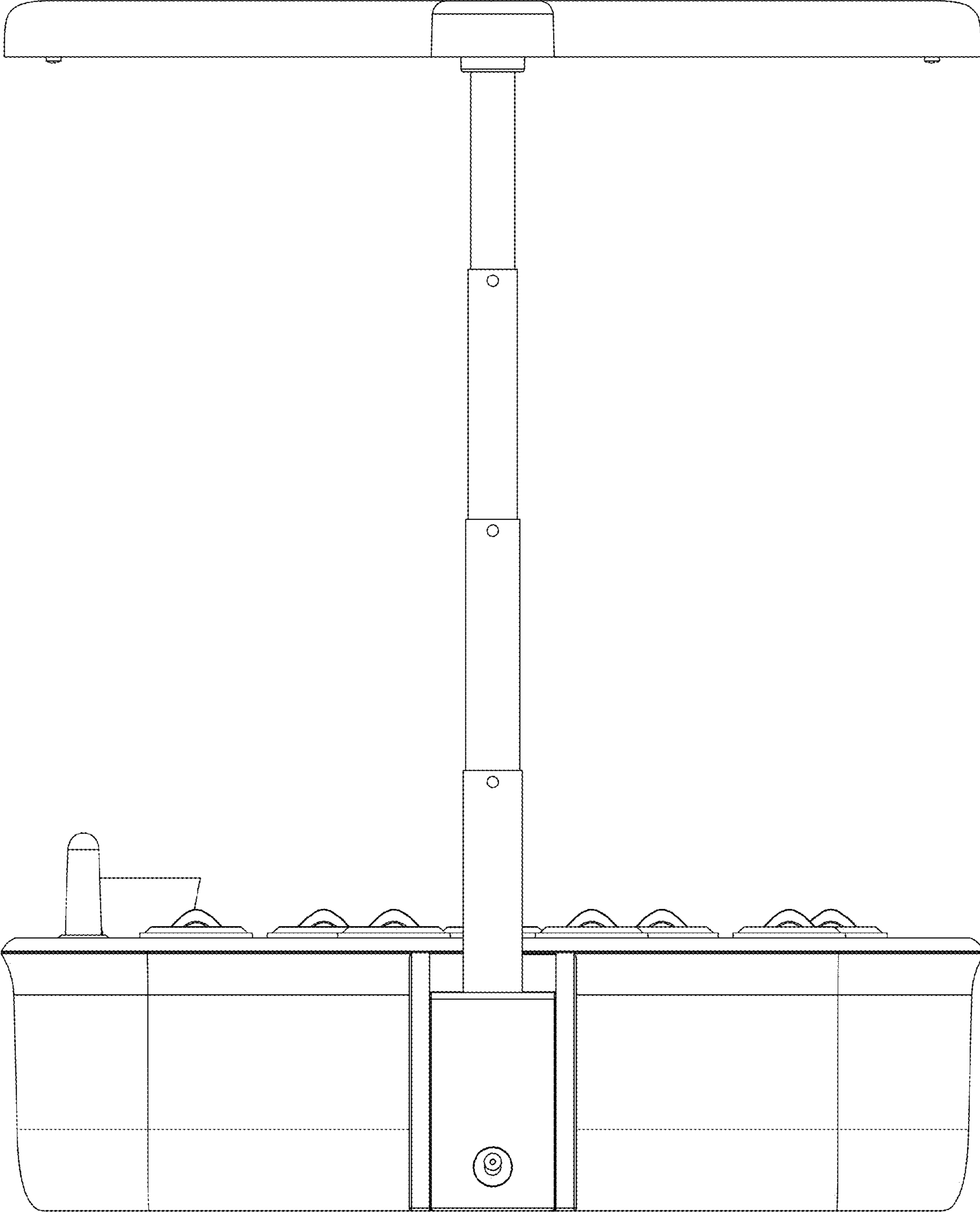


FIG. 3

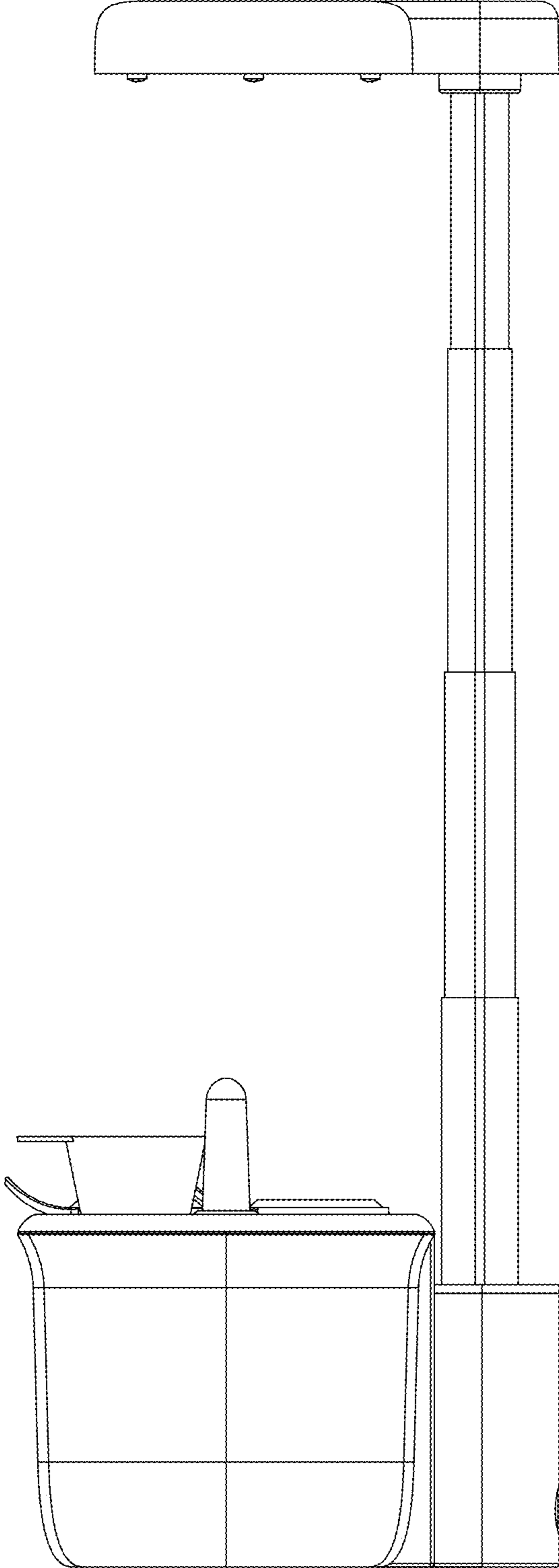


FIG. 4

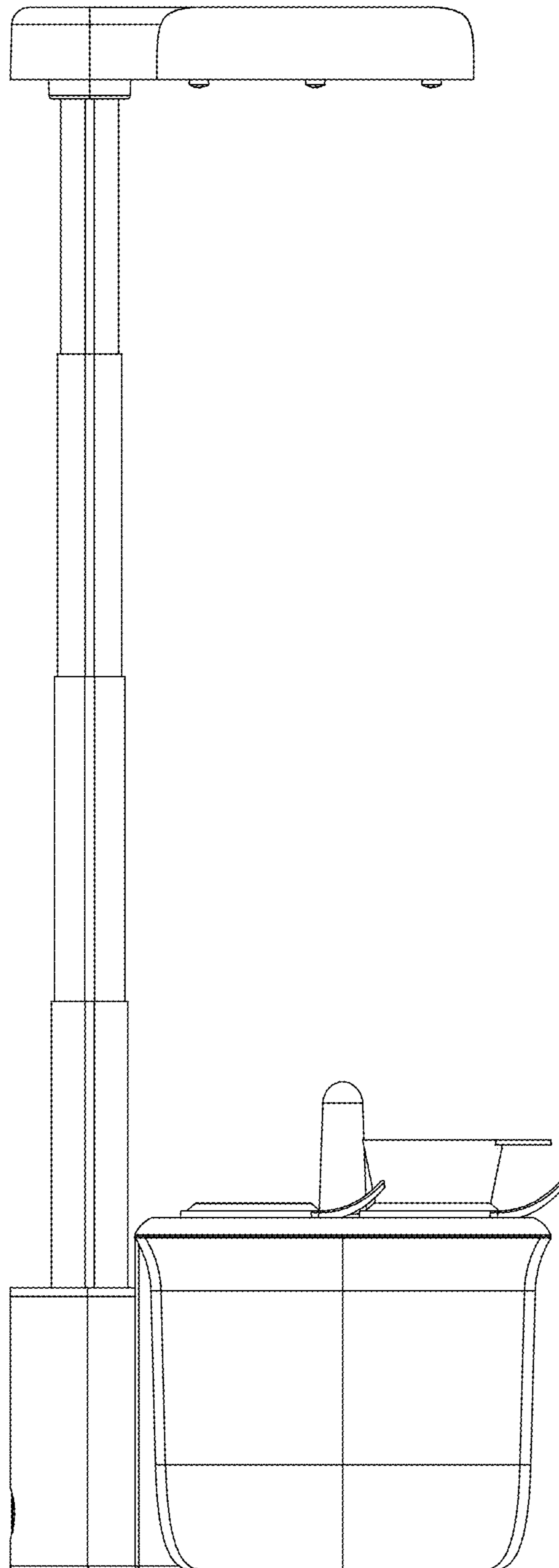


FIG. 5

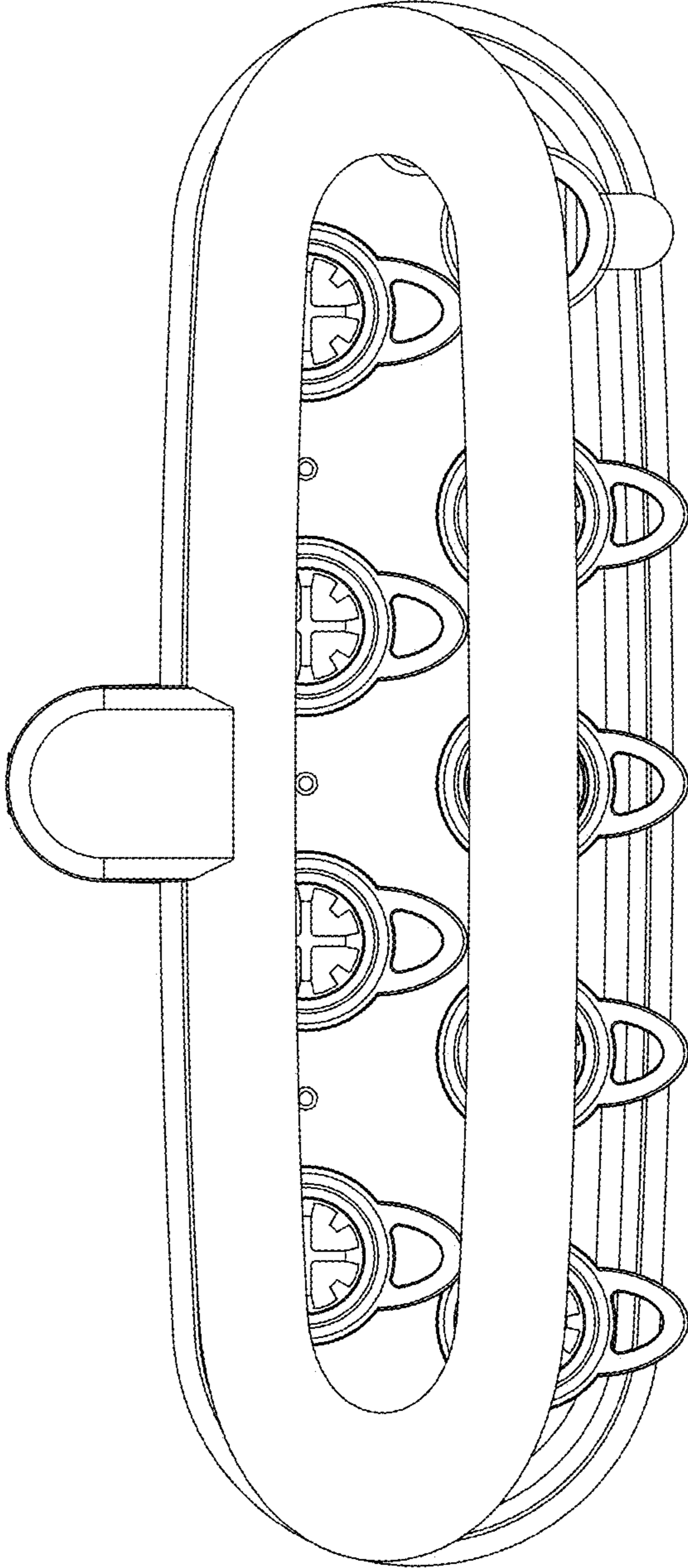


FIG. 6

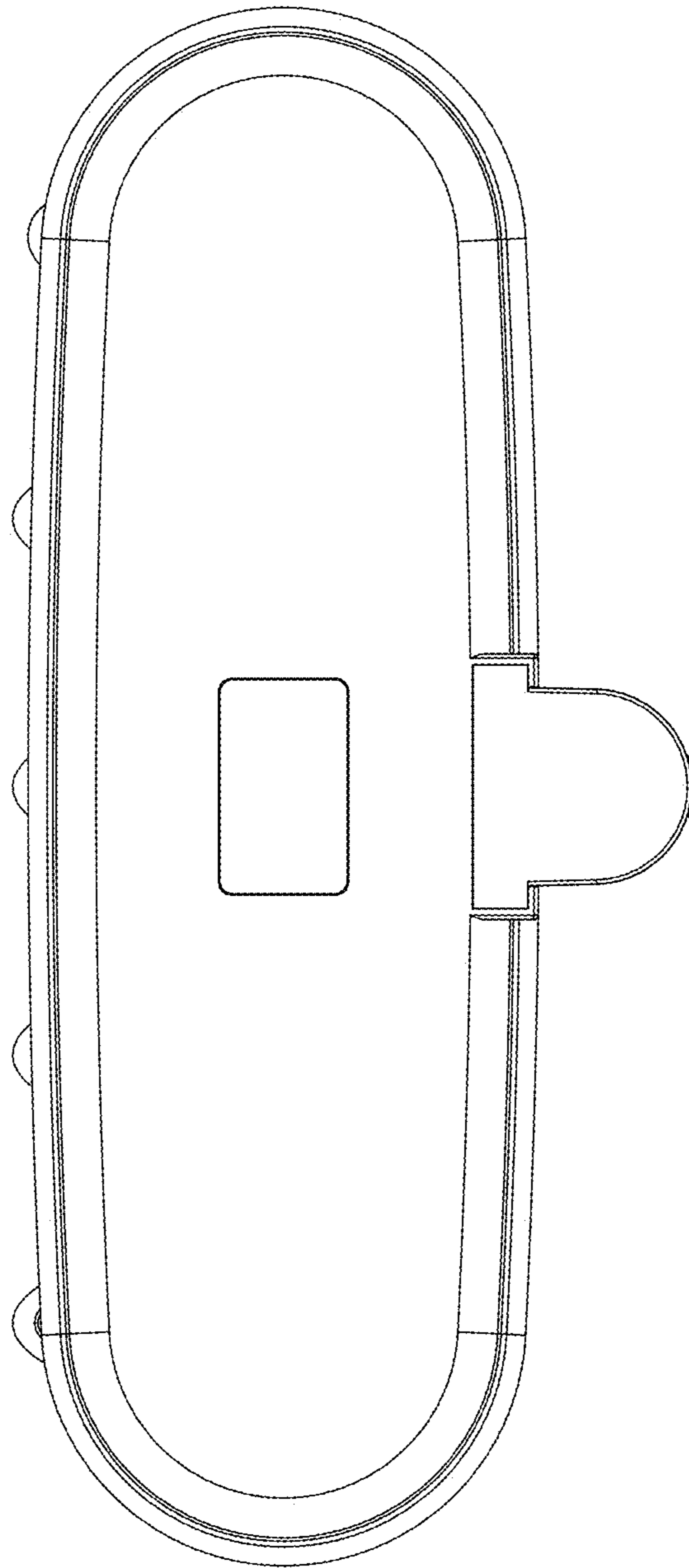


FIG. 7