



US00D945917S

(12) **United States Design Patent**
Kaplan

(10) **Patent No.:** **US D945,917 S**

(45) **Date of Patent:** **** Mar. 15, 2022**

(54) **PENDANT**

(71) Applicant: **Abraham Kaplan**, Sunny Isles Beach,
FL (US)

(72) Inventor: **Abraham Kaplan**, Sunny Isles Beach,
FL (US)

(**) Term: **15 Years**

(21) Appl. No.: **29/724,956**

(22) Filed: **Feb. 20, 2020**

(51) **LOC (13) Cl.** **11-01**

(52) **U.S. Cl.**

USPC **D11/79**; D11/86; D11/91; D11/80

(58) **Field of Classification Search**

USPC D11/79, 80

CPC A44C 17/02

See application file for complete search history.

(56) **References Cited**

U.S. PATENT DOCUMENTS

4,086,786	A	5/1978	Ritter	
4,218,894	A	8/1980	Tropea	
D264,060	S	4/1982	Epstein	
4,631,929	A	12/1986	Hollingworth	
5,048,310	A	9/1991	Riley	
5,170,643	A	12/1992	Porcell, Jr.	
5,329,789	A *	7/1994	Mandelbaum A44C 9/00 428/28
5,577,396	A	11/1996	Cannon	
5,588,309	A	12/1996	Choiffe	
D505,636	S *	5/2005	Bisceglie D11/79
D695,643	S *	12/2013	Wolff D11/79
D712,298	S *	9/2014	Taylor-Cattapan D11/79
9,226,552	B1	1/2016	Makhoulia et al.	
D766,124	S *	9/2016	Ochoa D11/80
D815,975	S *	4/2018	Silvestri D11/79
10,925,356	B2 *	2/2021	Pellegrino A44C 7/003

D933,515 S * 10/2021 Wu D11/79
 2007/0084240 A1 4/2007 Bruno et al.
 2008/0148774 A1 6/2008 Thurber
 (Continued)

FOREIGN PATENT DOCUMENTS

CN 303231600 * 11/2014
 CN 304513573 * 7/2017
 CN 304634498 * 10/2017
 (Continued)

OTHER PUBLICATIONS

Layering Necklace Tube Necklace Dainty Silver Tube Pendant |
 Etsy pp. 1-5 https://www.etsy.com/listing/1086481823/layering-necklace-tube-necklace-dainty?ga_order=most_relevant&ga_search_type=all&ga_view_type=galle%E2%80%A6 (Year: 2021).
 (Continued)

Primary Examiner — Kevin K Rudzinski
Assistant Examiner — Evans David Delesline
 (74) *Attorney, Agent, or Firm* — Malloy & Malloy, PL

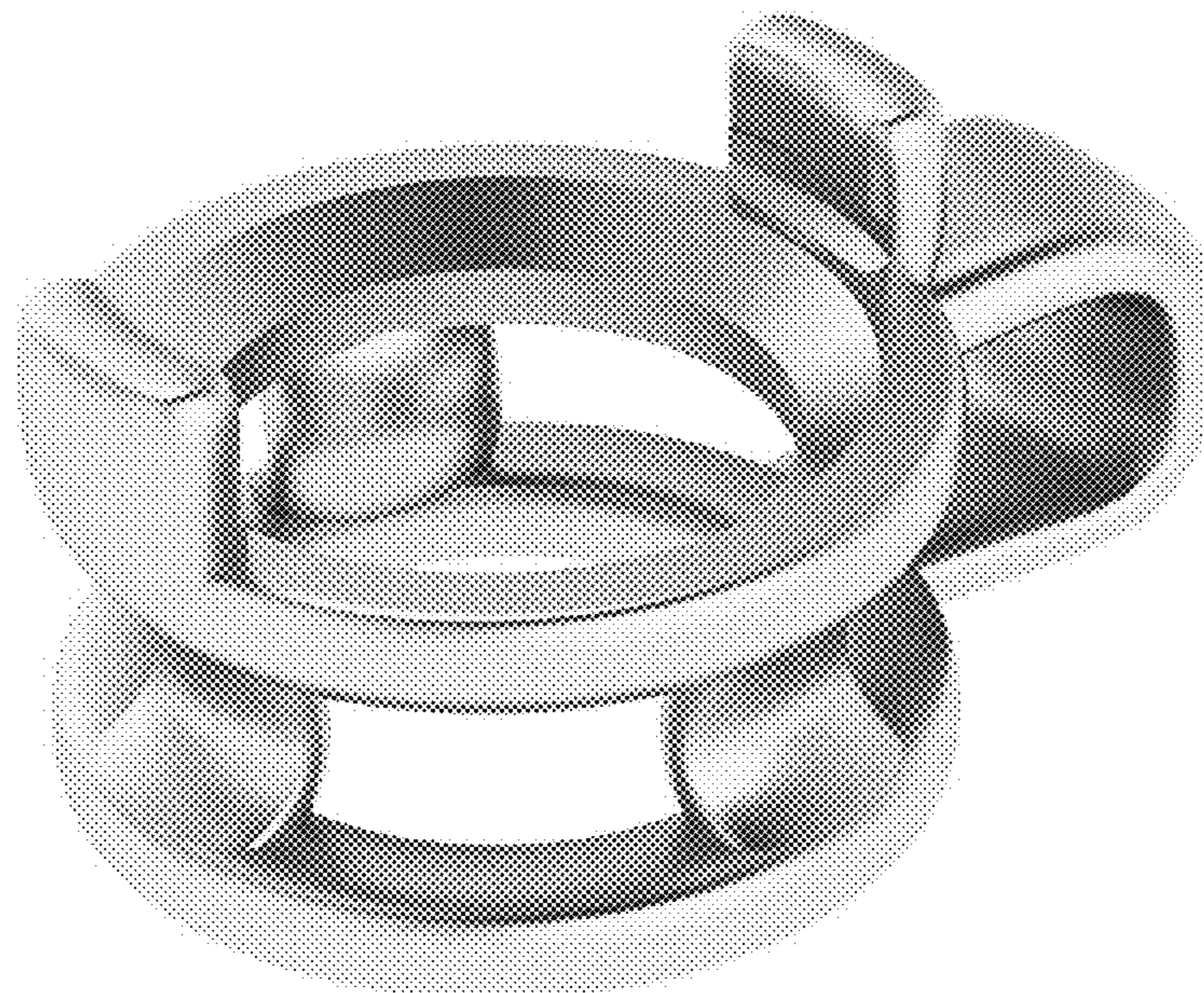
(57) **CLAIM**

The ornamental design for pendant, as shown and described.

DESCRIPTION

The patent or application file contains at least one drawing executed in color. Copies of this patent or patent application publication with color drawing(s) will be provided by the Office upon request and payment of the necessary fee.
 FIG. 1 is a perspective view illustrating my design for a pendant;
 FIG. 2 is a front perspective view thereof;
 FIG. 3 is a left perspective view thereof;
 FIG. 4 is a top view thereof;
 FIG. 5 is a right elevation side view thereof; and,
 FIG. 6 is a left elevation side view thereof.

1 Claim, 6 Drawing Sheets
(6 of 6 Drawing Sheet(s) Filed in Color)



(56)

References Cited

U.S. PATENT DOCUMENTS

2013/0036767 A1* 2/2013 Mehta A44C 25/001
63/23
2019/0045892 A1* 2/2019 Guzy A44C 15/005

FOREIGN PATENT DOCUMENTS

CN 304746460 * 1/2018
CN 304868813 * 10/2018

OTHER PUBLICATIONS

Sterling Silver Polished Plain Round Open Tube Pendant Bail | Etsy
pp. 1-13 https://www.etsy.com/listing/815274172/sterling-silver-polished-plain-round?ga_order=most_relevant&ga_search_type=all&ga_view_type=gallery&ga%20%80%A6 (Year: 2021).*

* cited by examiner

FIGURE 1

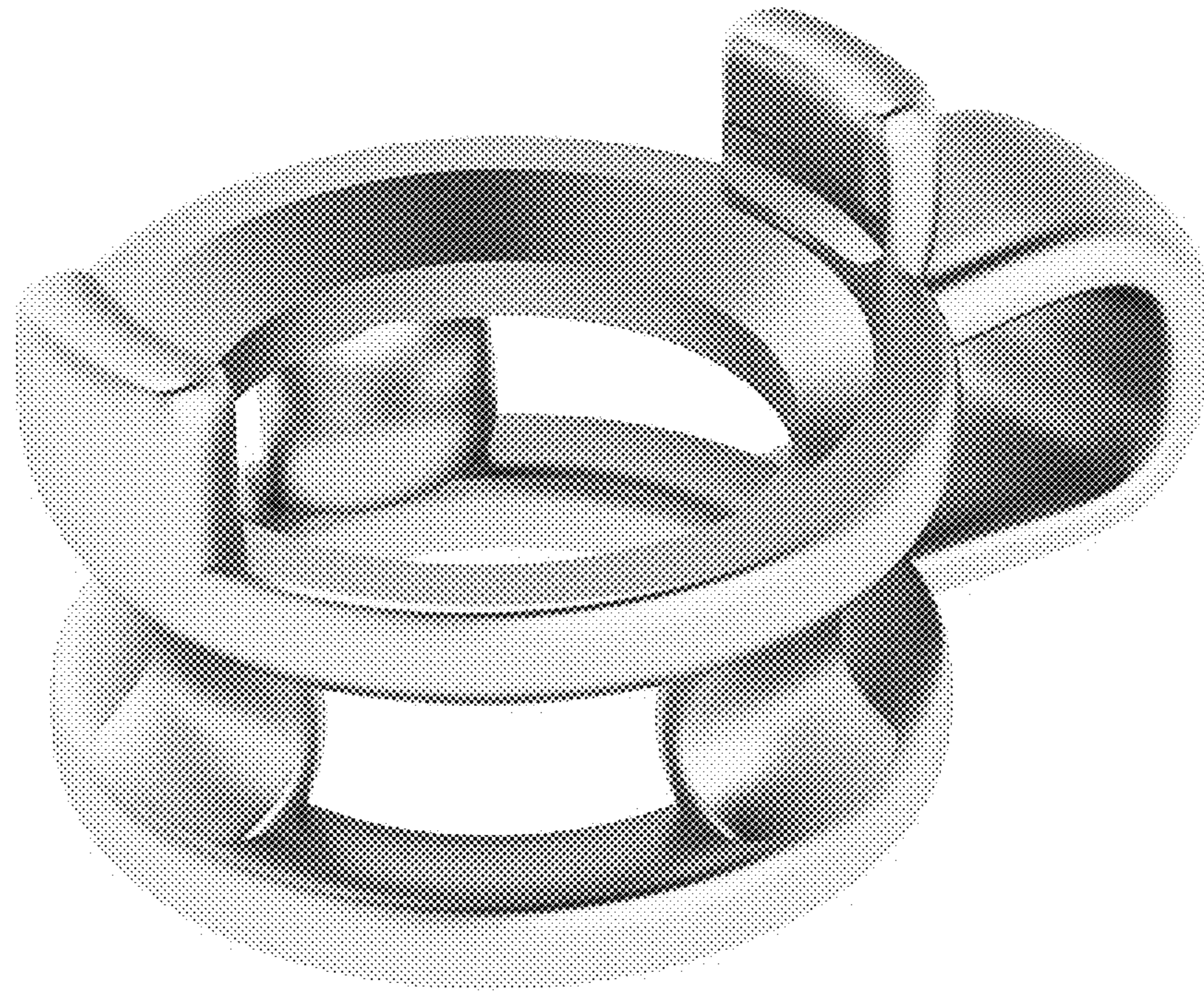


FIGURE 2

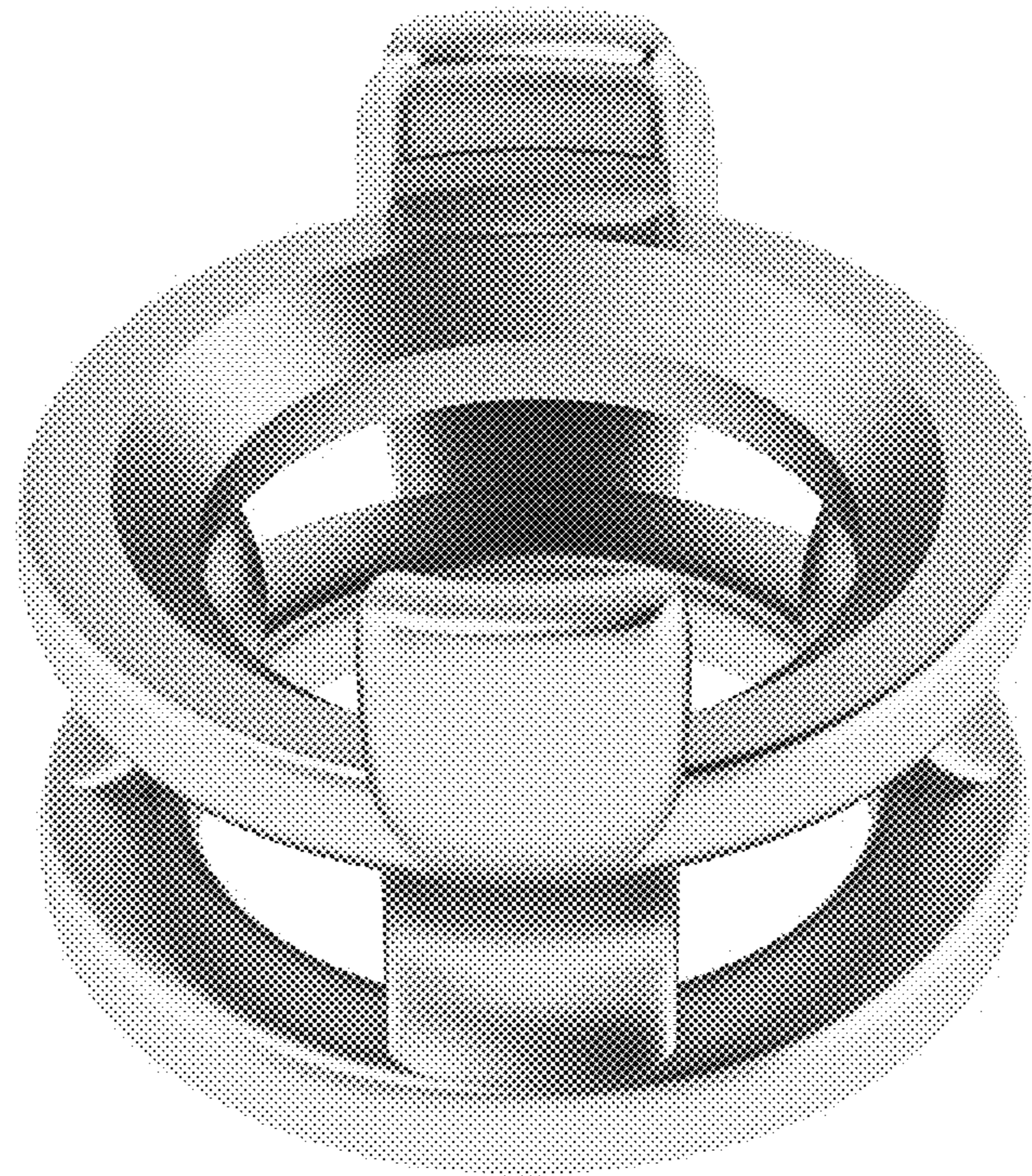


FIGURE 3

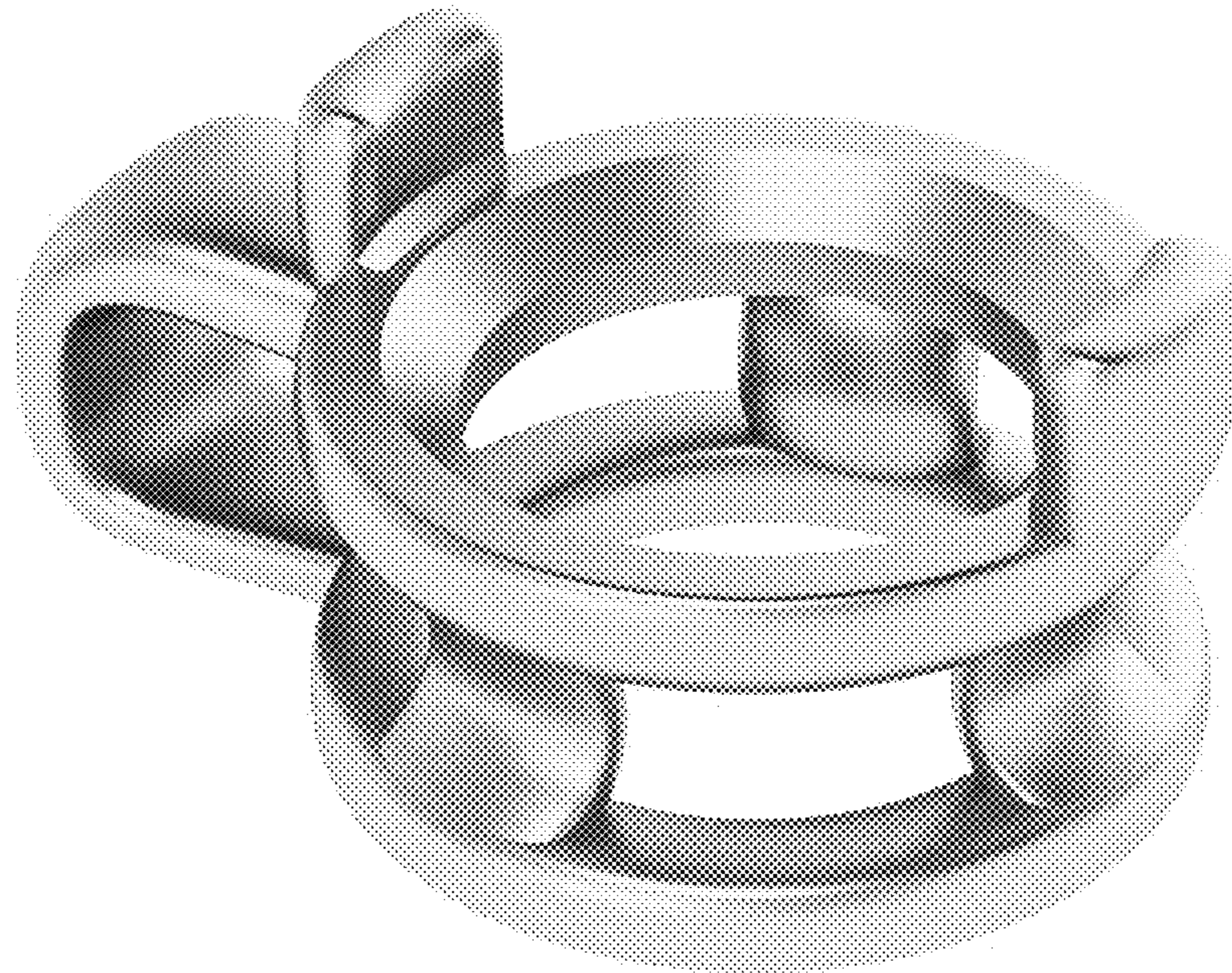


FIGURE 4



FIGURE 5

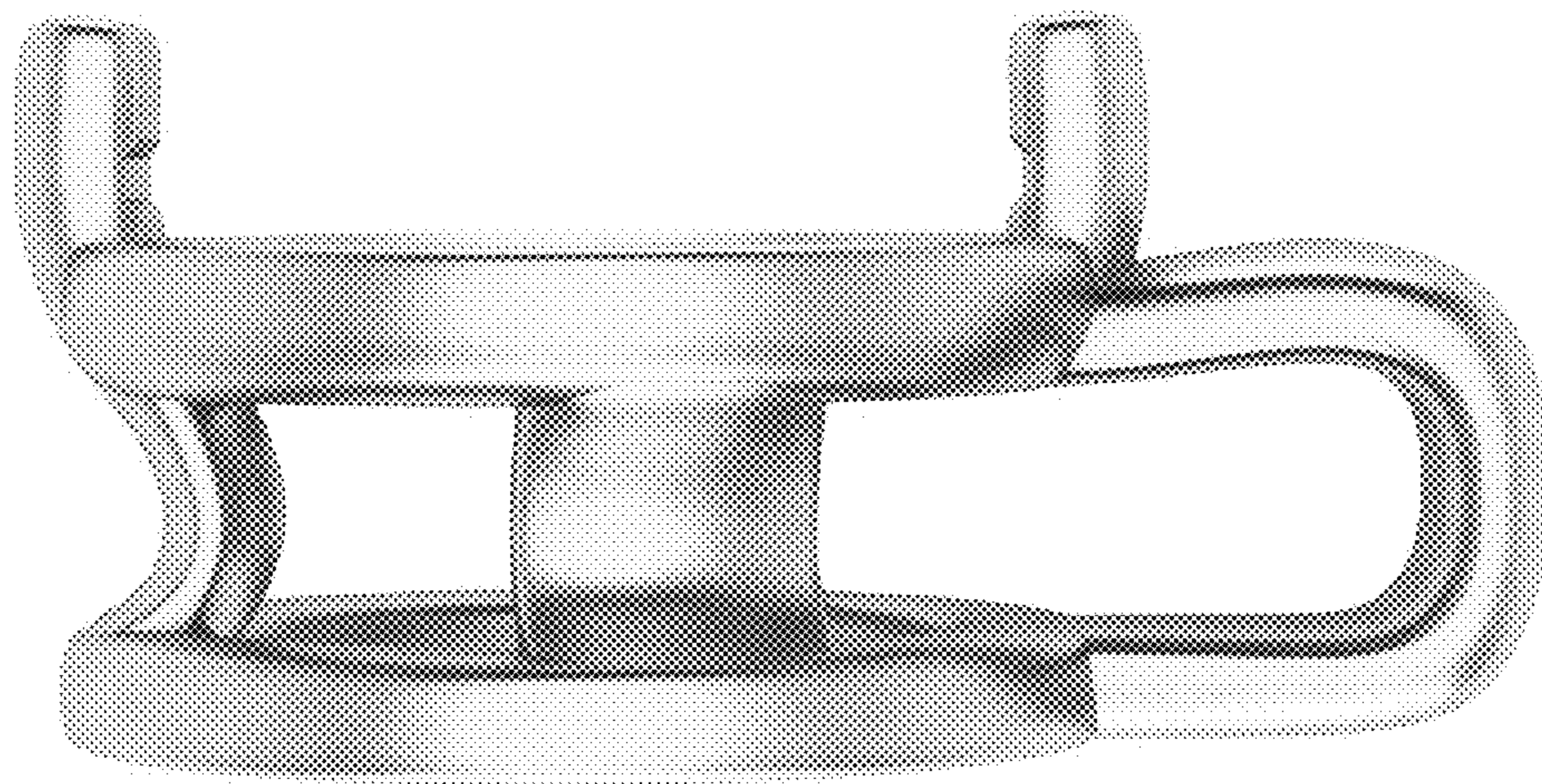


FIGURE 6

