



US00D945897S

(12) **United States Design Patent**  
**Brumbach**

(10) **Patent No.:** **US D945,897 S**

(45) **Date of Patent:** **\*\* Mar. 15, 2022**

(54) **REMOTE FOR A DISPLAY AND OPERATING DEVICE**

(71) Applicant: **Robert Bosch GmbH**, Stuttgart (DE)

(72) Inventor: **Matthias Brumbach**, Filderstadt (DE)

(73) Assignee: **Robert Bosch GmbH**, Stuttgart (DE)

(\*\*) Term: **15 Years**

(21) Appl. No.: **29/755,937**

(22) Filed: **Oct. 23, 2020**

(30) **Foreign Application Priority Data**

Apr. 27, 2020 (EM) ..... 007838826

(51) **LOC (13) Cl.** ..... **10-04**

(52) **U.S. Cl.**  
USPC ..... **D10/98; D13/168; D12/114**

(58) **Field of Classification Search**  
USPC ..... D10/70, 98, 103; D13/168; D12/114  
CPC ..... B62K 21/12; B62K 21/125; B62K 21/16;  
B62K 23/02; B62K 23/04; B62K 23/06;  
B62K 11/14; B62M 25/02; B62M 25/08;  
B62J 99/00; G01C 22/002  
See application file for complete search history.

(56) **References Cited**

**U.S. PATENT DOCUMENTS**

D711,756 S *	8/2014	Dasbach	.....	D10/98
D725,610 S *	3/2015	Dasbach	.....	D13/168
D784,859 S *	4/2017	Matsumura	.....	D12/114
9,663,173 B2 *	5/2017	Wadey	.....	B62J 11/00
D842,737 S *	3/2019	Haag	.....	D10/98
D843,867 S *	3/2019	Haag	.....	D10/98
D856,855 S *	8/2019	Steele	.....	D12/114
10,549,669 B2 *	2/2020	Hugh	.....	F16C 1/18
10,780,940 B2 *	9/2020	Kakinoki	.....	B62M 6/40
D912,555 S *	3/2021	Vetter	.....	D10/98
D913,166 S *	3/2021	Kiska	.....	D12/114

D914,525 S *	3/2021	Vetter	.....	D10/98
D915,949 S *	4/2021	Mendez	.....	D12/114
D918,751 S *	5/2021	Haag	.....	D10/98
D920,197 S *	5/2021	Wan	.....	D12/174
D924,709 S *	7/2021	Marx	.....	D10/98
2015/0232148 A1 *	8/2015	Shirai	.....	B62K 23/04 74/505
2016/0229481 A1 *	8/2016	Shirai	.....	B62K 23/02
2018/0203488 A1 *	7/2018	Hawkins, III	.....	H05K 5/0204
2018/0211511 A1 *	7/2018	Micheloni	.....	G08B 25/001
2021/0027554 A1 *	1/2021	Leonov	.....	B62J 50/225

\* cited by examiner

*Primary Examiner* — Selina Sikder

(74) *Attorney, Agent, or Firm* — Maginot, Moore & Beck LLP

(57) **CLAIM**

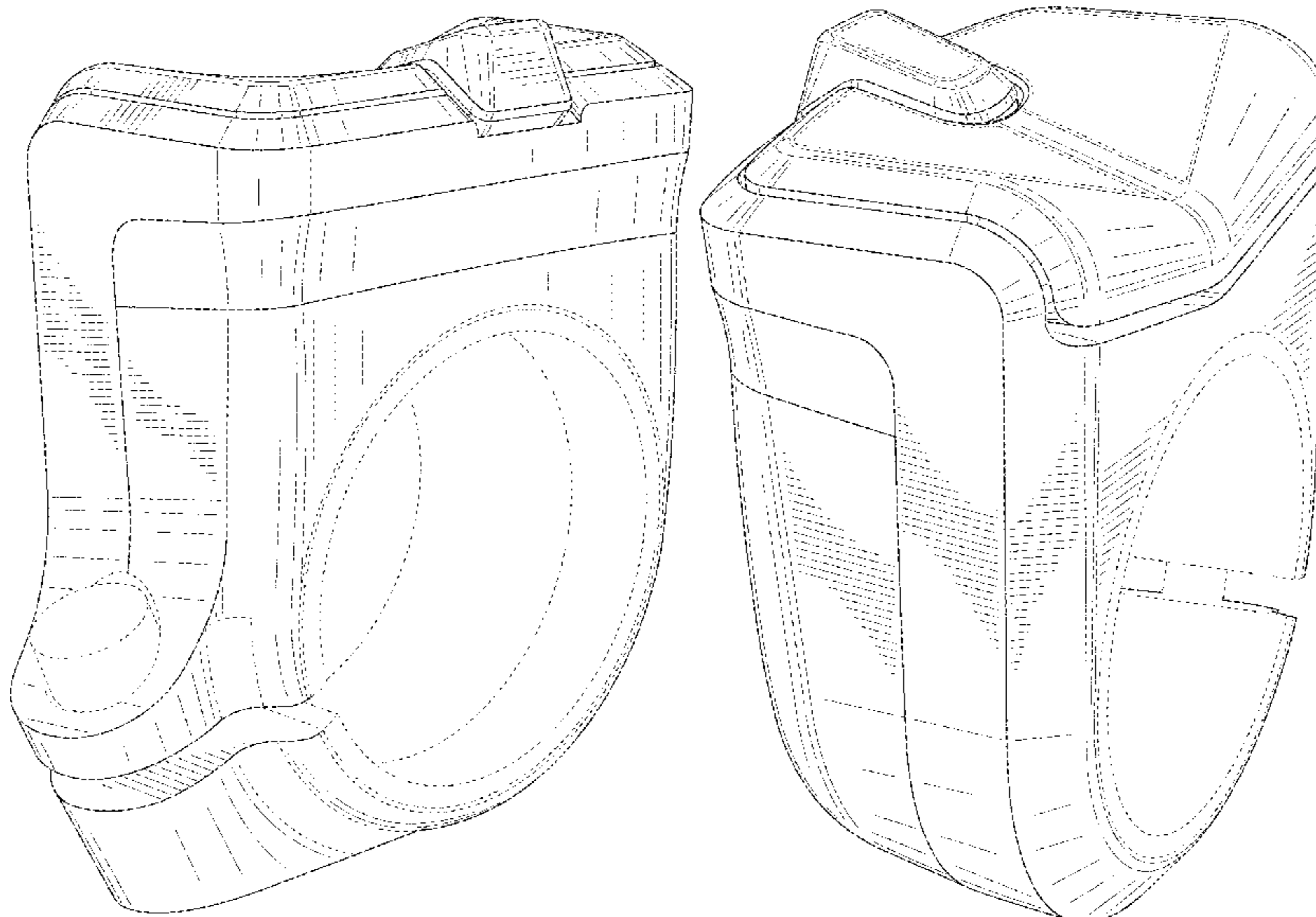
The ornamental design for a remote for a display and operating device, as shown and described.

**DESCRIPTION**

FIG. 1 is a front side perspective view of a remote for a display and operating device showing my new design; FIG. 2 is a rear side perspective view of the remote for a display and operating device of FIG. 1; FIG. 3 is a left side elevational view of the remote for a display and operating device of FIG. 1; FIG. 4 is a right side elevational view of the remote for a display and operating device of FIG. 1; FIG. 5 is a front side elevational view of the remote for a display and operating device of FIG. 1; FIG. 6 is a rear side elevational view of the remote for a display and operating device of FIG. 1; and, FIG. 7 is a top side plan view of the remote for a display and operating device of FIG. 1.

The broken lines shown in the drawings illustrate portions of the remote for a display and operating device that form no part of the claimed design.

**1 Claim, 7 Drawing Sheets**



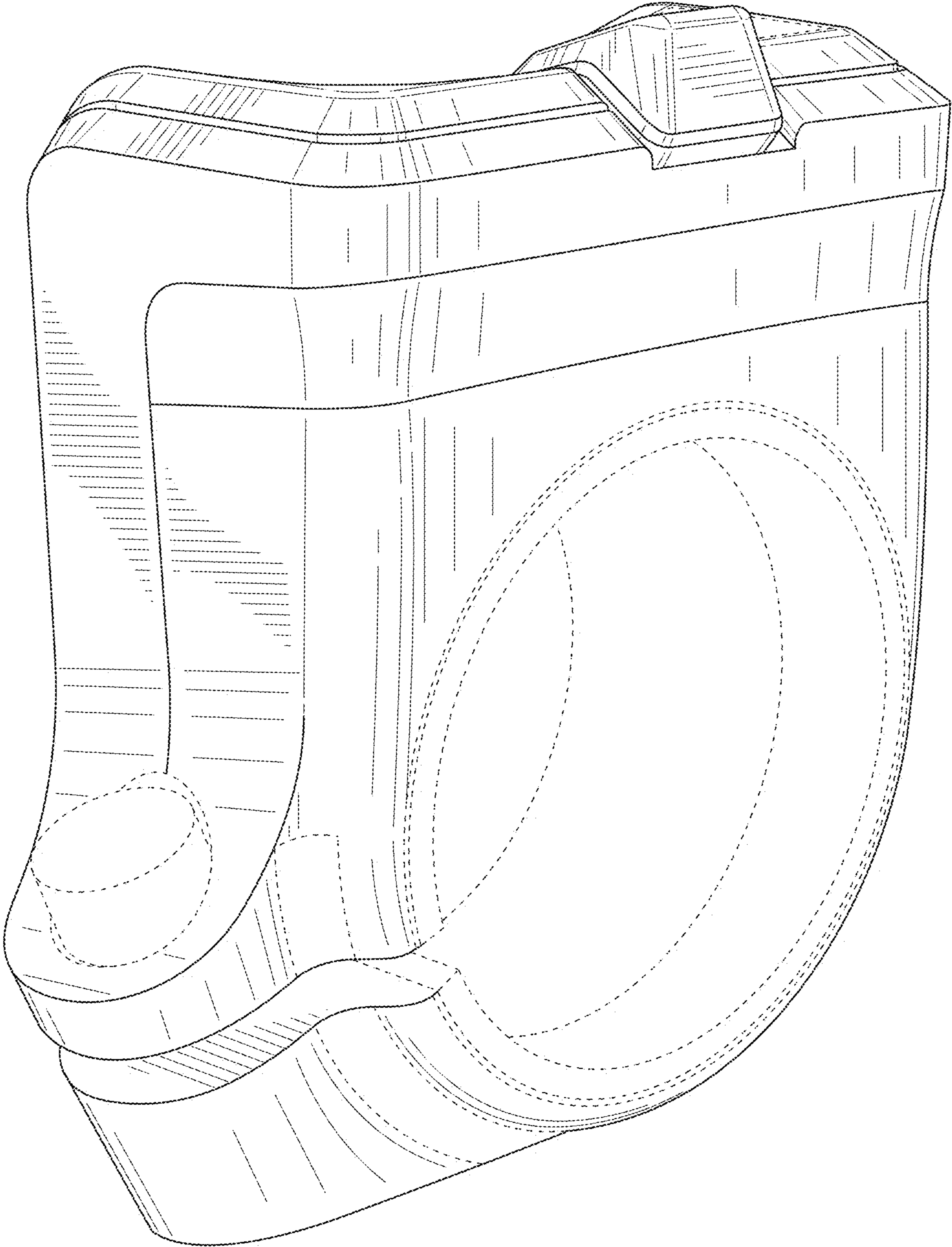


FIG. 1

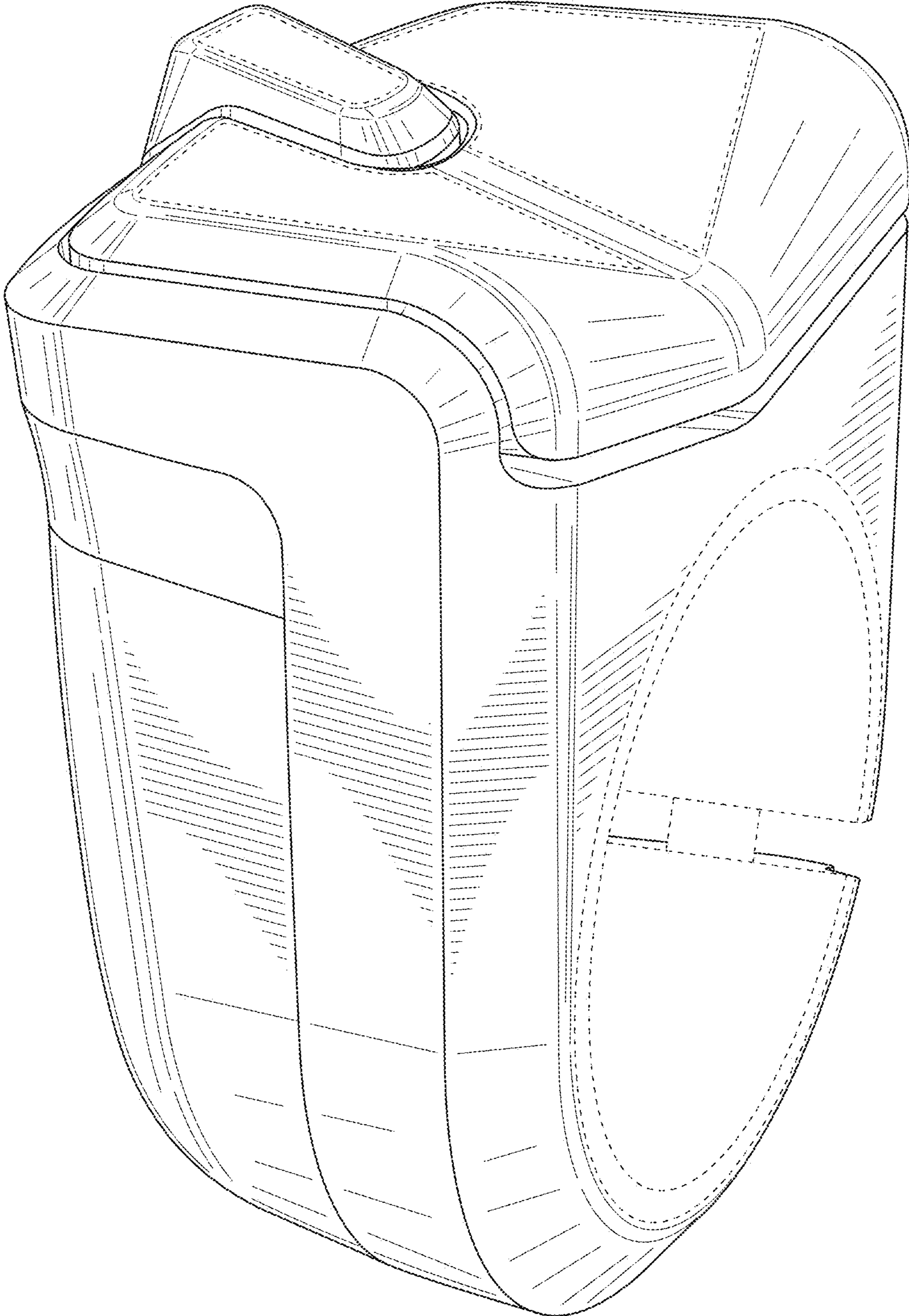


FIG. 2

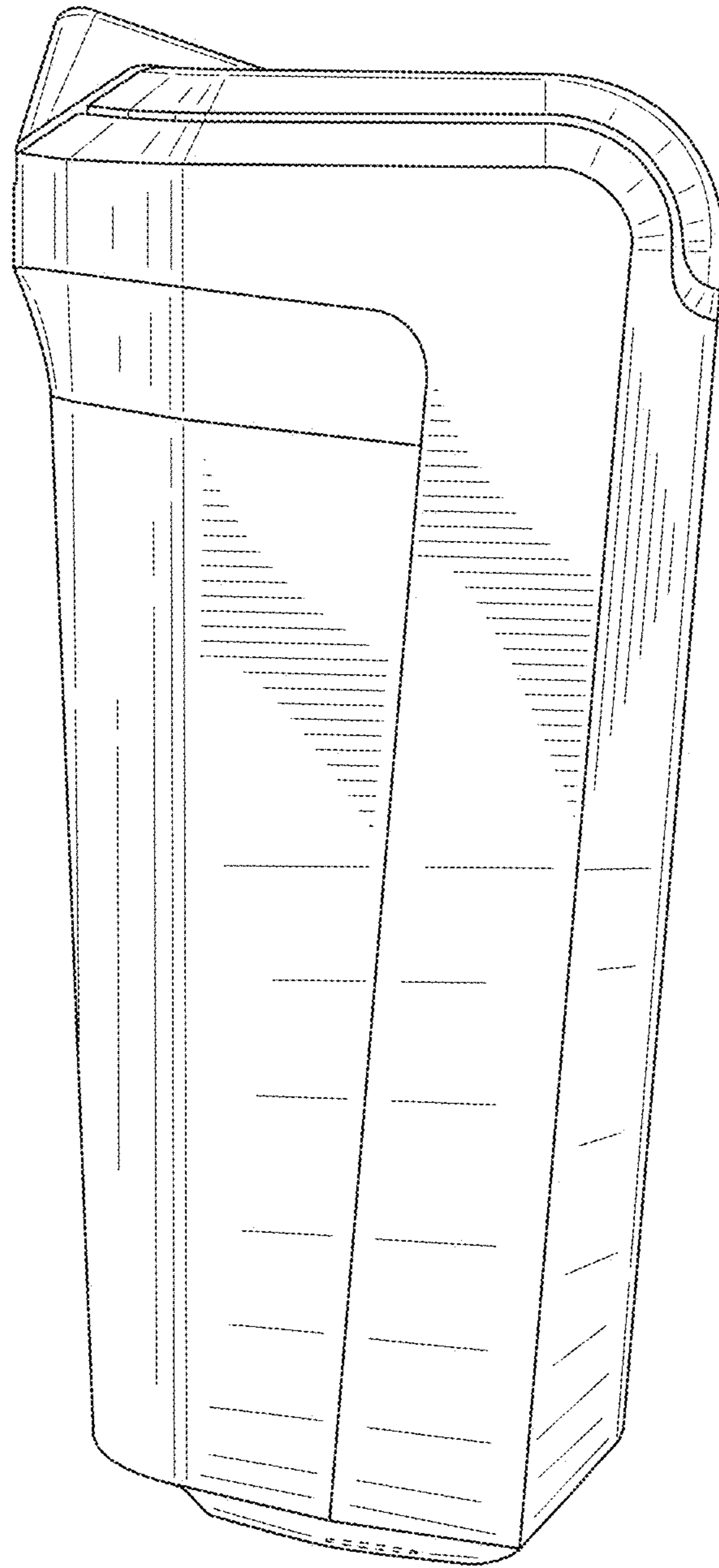


FIG. 3

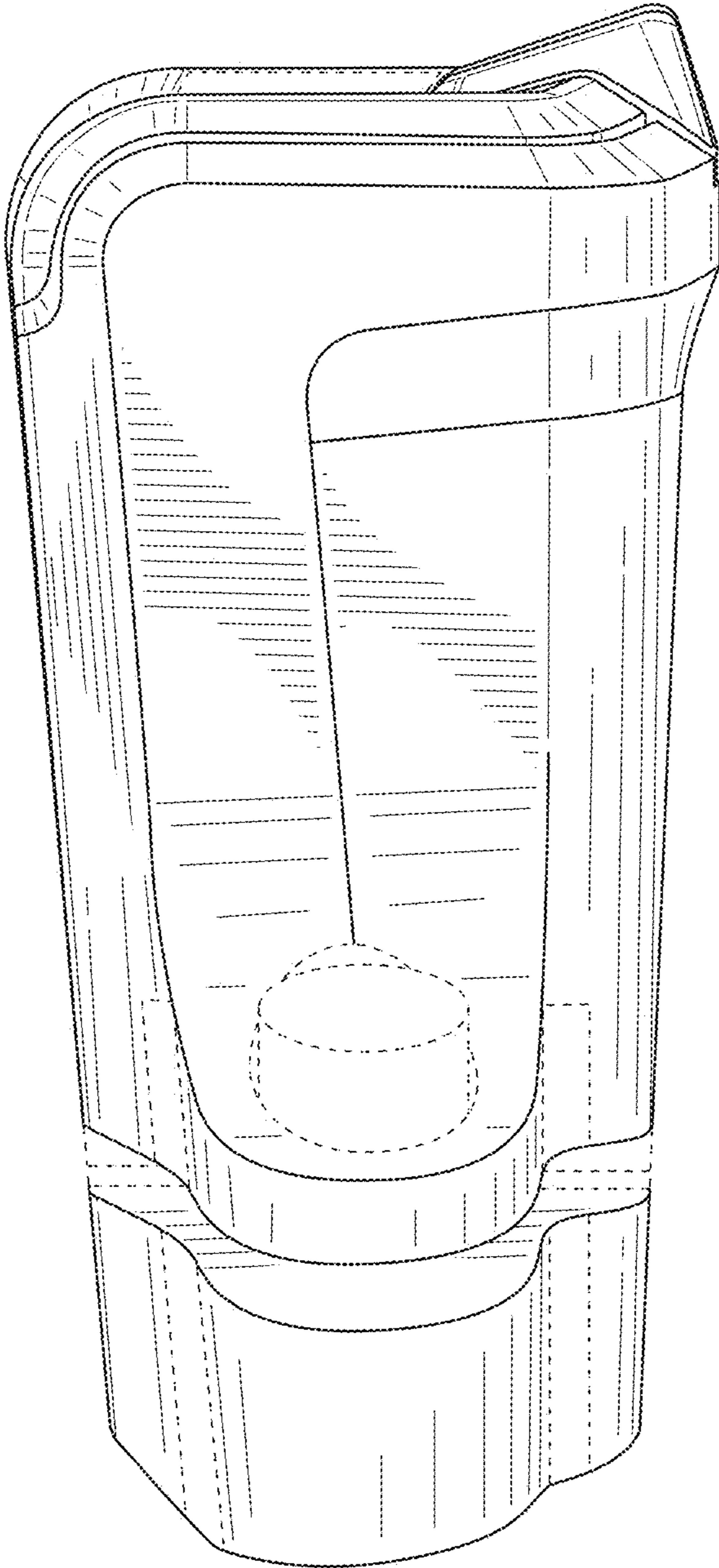


FIG. 4

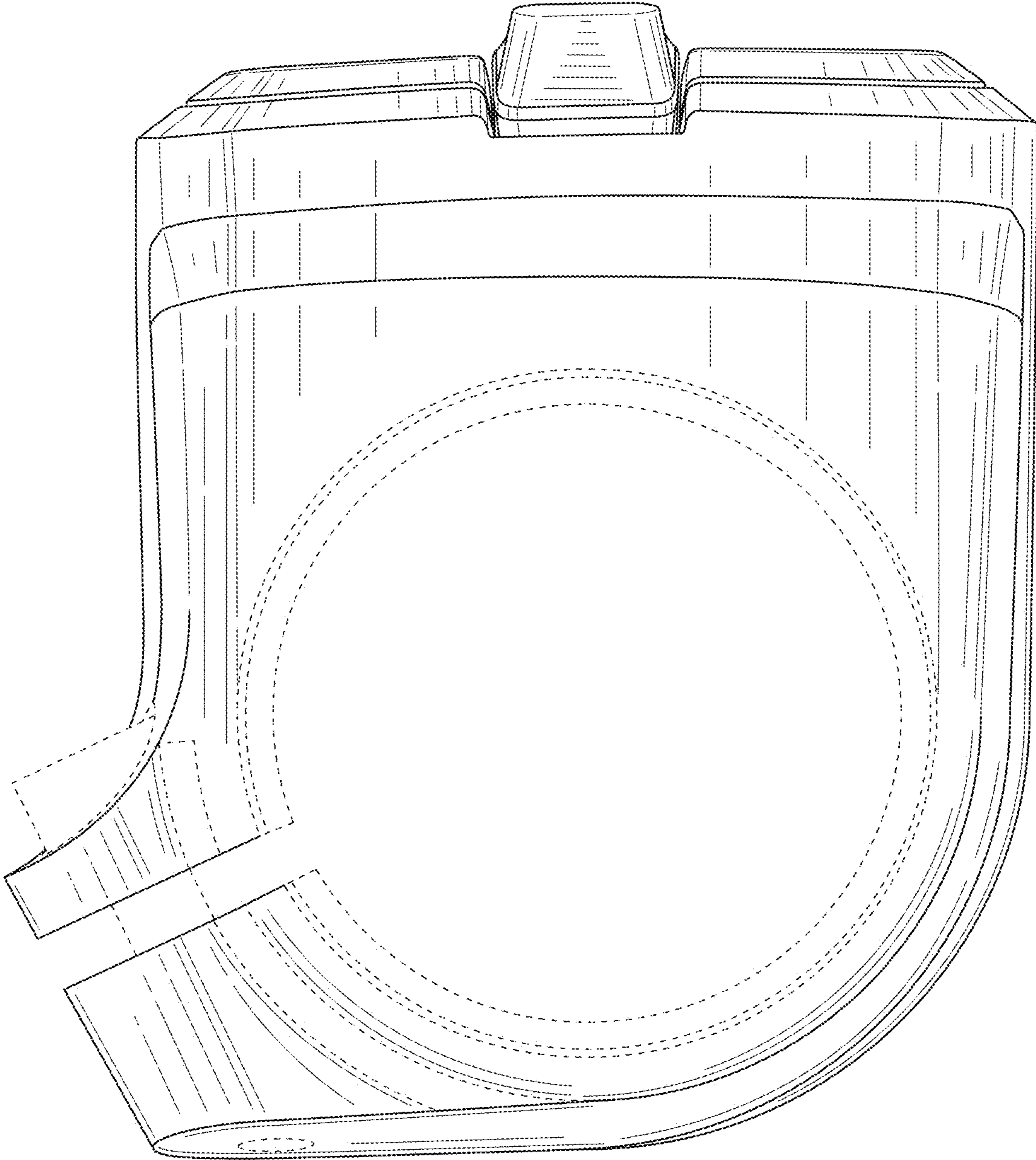


FIG. 5

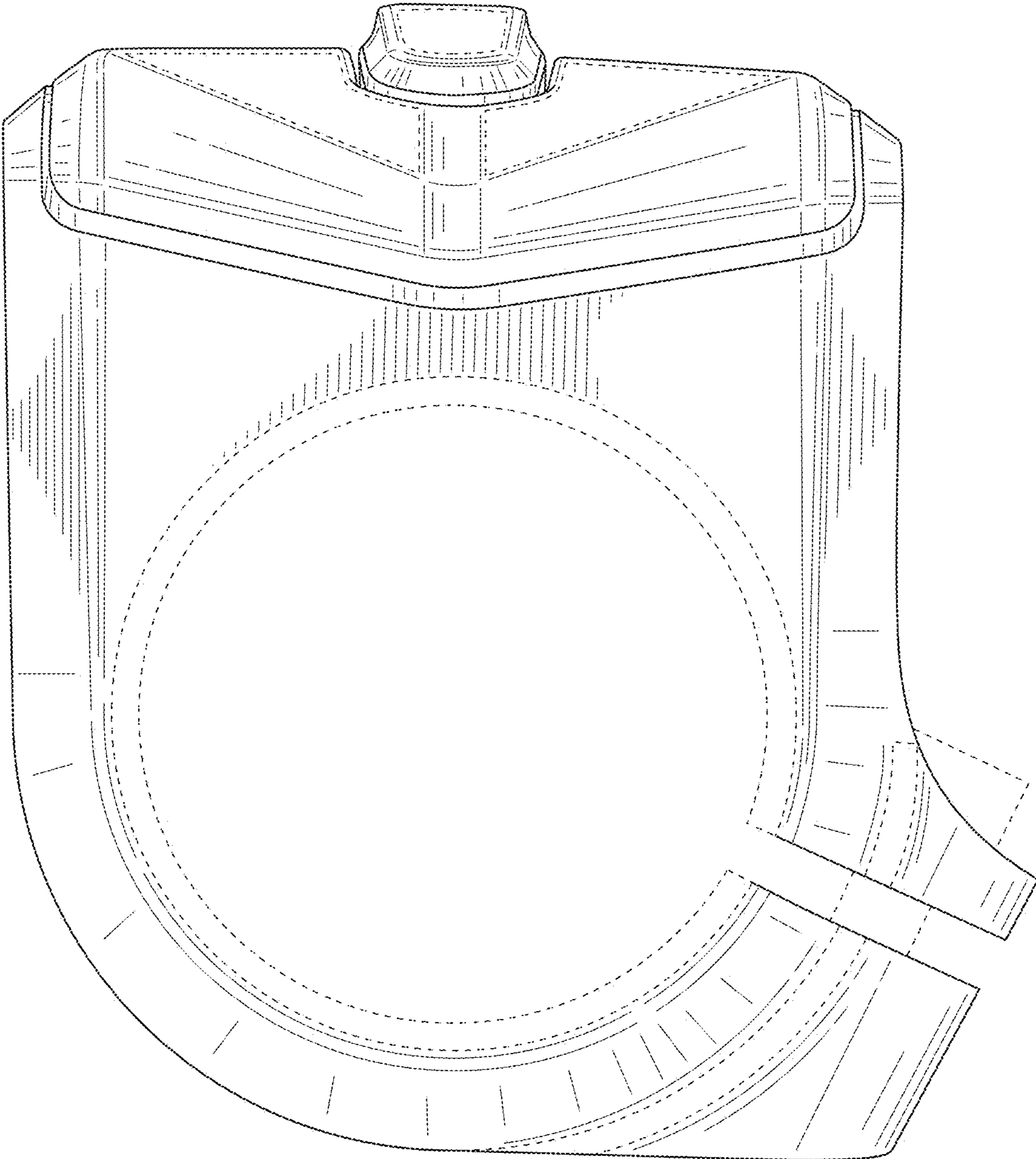


FIG. 6

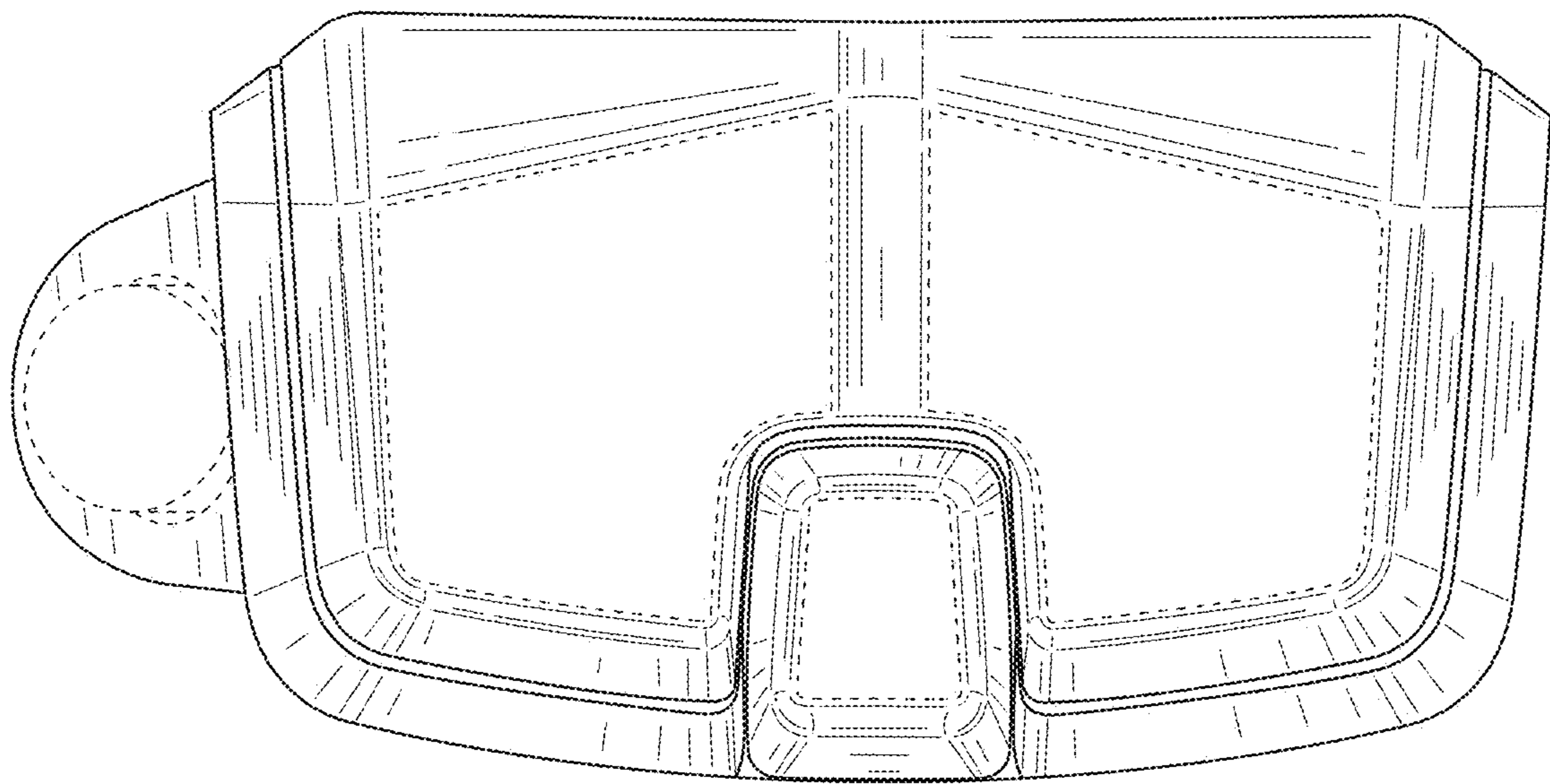


FIG. 7