



US00D945895S

(12) **United States Design Patent**
Yu

(10) **Patent No.:** **US D945,895 S**
(45) **Date of Patent:** **** Mar. 15, 2022**

- (54) **ELECTRONIC SCALE**
- (71) Applicant: **Shenzhen Unique Scales Co., Ltd.**,
Shenzhen (CN)
- (72) Inventor: **Huayun Yu**, Shenzhen (CN)
- (73) Assignee: **SHENZHEN UNIQUE SCALES CO., LTD.**, Shenzhen (CN)
- (**) Term: **15 Years**
- (21) Appl. No.: **29/762,830**
- (22) Filed: **Dec. 18, 2020**
- (51) **LOC (13) Cl.** **10-04**
- (52) **U.S. Cl.**
USPC **D10/91**
- (58) **Field of Classification Search**
USPC D10/83-96
CPC G01G 21/28; G01G 21/00; G01G 21/286;
G01G 21/30; G01G 23/3728; G01G
23/3735; G01G 19/44; G01G 3/14; G01G
19/46; G01G 19/48; G01G 19/50; G01G
21/44; G01G 19/414; G01G 19/4144;
G01G 19/42; G01G 23/166; F16F 1/123;
A61B 5/053; A61B 5/4872; A61B
5/0537; A61B 5/4869; A61B 5/6825;
A61B 5/6829; A61B 5/7445; A61B
5/1072; G06Q 20/3678; G06Q 20/387;
G06Q 20/065; G06Q 20/36; G06Q 20/06;
G06Q 20/208; G09B 19/00; G16H 20/00;
G16H 40/63
See application file for complete search history.

(56) **References Cited**

U.S. PATENT DOCUMENTS

D470,782 S	*	2/2003	Motomizu	D10/92
D550,574 S	*	9/2007	Barnes	D10/91
D650,714 S	*	12/2011	Pan	D10/92
D678,095 S	*	3/2013	Renner	D10/91
D805,937 S	*	12/2017	Chang	D10/92
D843,866 S	*	3/2019	Mutch	D10/87
D858,331 S	*	9/2019	Yu	D10/92

D865,552 S	*	11/2019	Ying	D10/92
D883,118 S	*	5/2020	Centen	D10/91
D884,527 S	*	5/2020	Yang	D10/91
D893,329 S	*	8/2020	Yang	D10/91
D918,077 S	*	5/2021	Zhang	D10/91
D925,383 S	*	7/2021	Wu	D10/92

FOREIGN PATENT DOCUMENTS

CN	306341244	*	7/2020
CN	306247983	*	8/2020

(Continued)

OTHER PUBLICATIONS

MomMed Store, Digital Food Scale, Date first available Nov. 14, 2019, [online]retrieved Jul. 21, 2021, available from https://www.amazon.com/dp/B081TWKGFZ/ref=sspa_dk_detail_8?psc=1&pd_rd_i=B081TWKGFZ&pd_rd_w=KEpvL&pf_rd_p=5d846283-ed3e-4512-a744-a30f97c5d738&pd_rd_wg=ILTUi&pf_rd_r=3P3V8MD3DPSDQR6F1S6B&p (Year: 2019).*

(Continued)

Primary Examiner — Keli L Hill
Assistant Examiner — Sara S Sahneh
(74) *Attorney, Agent, or Firm* — WPAT, PC

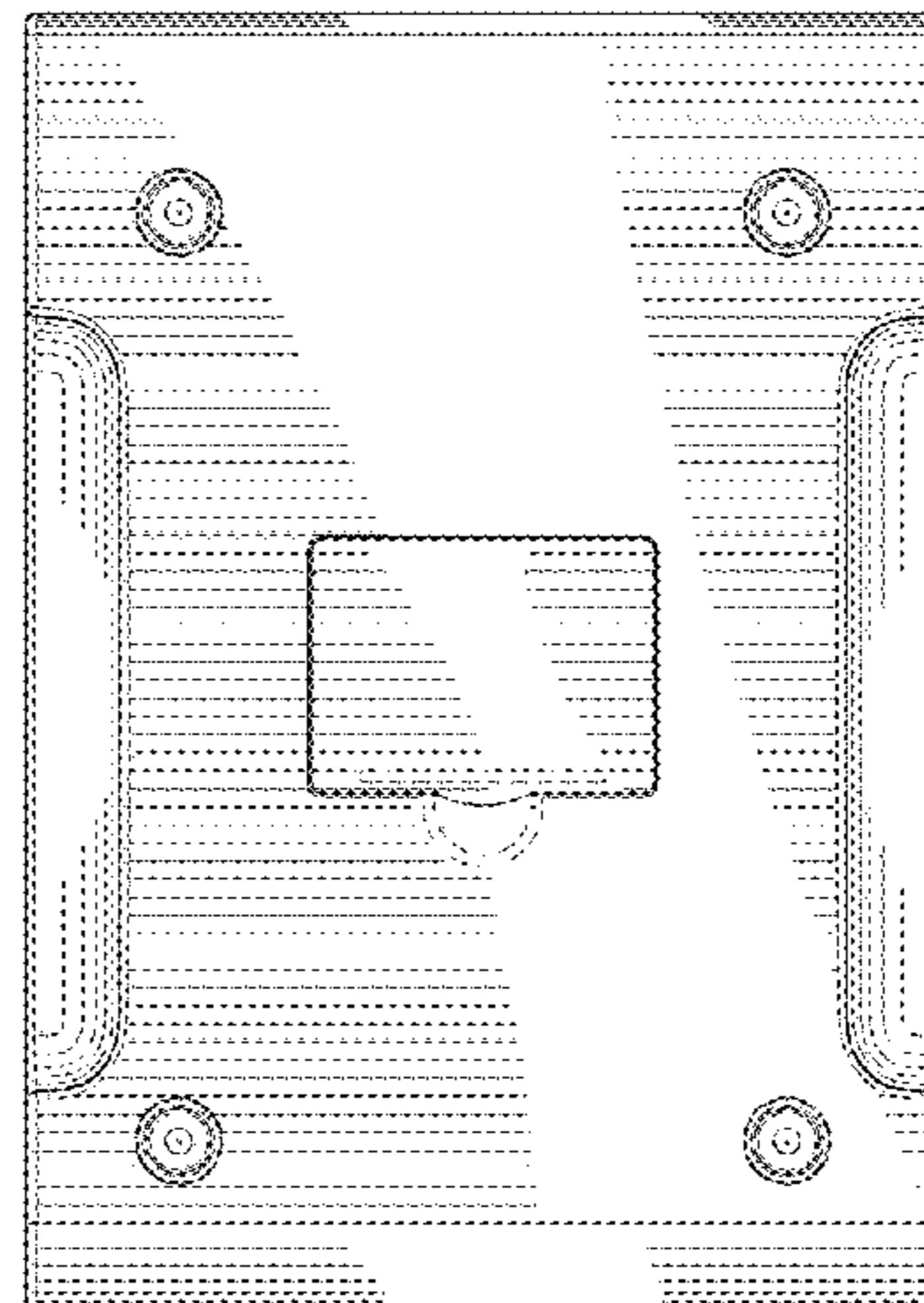
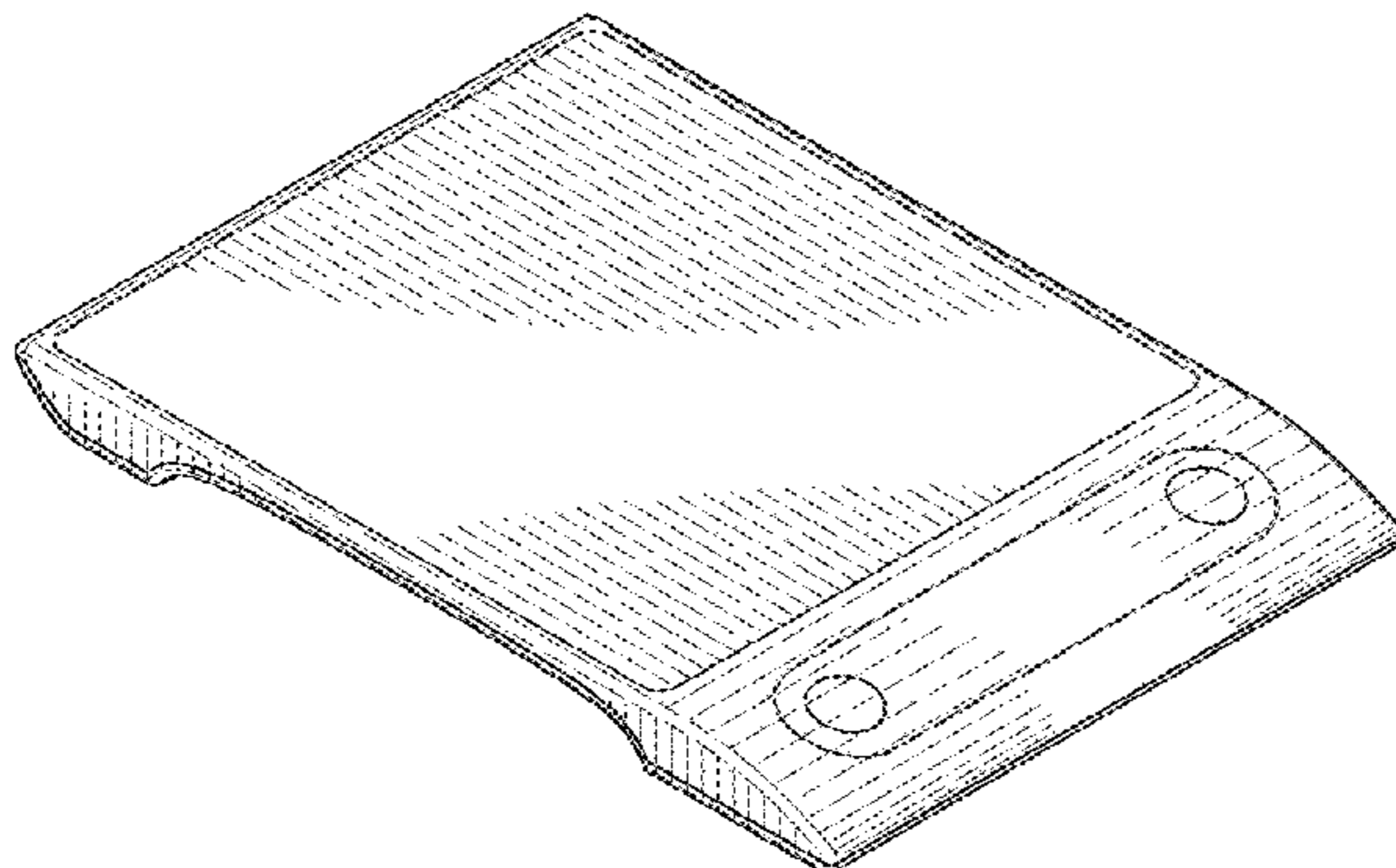
(57) **CLAIM**

The ornamental design for an electronic scale, as shown and described.

DESCRIPTION

FIG. 1 is a perspective view of an electronic scale showing the new design;
FIG. 2 is a front view thereof;
FIG. 3 is a rear view thereof;
FIG. 4 is a left-side view thereof;
FIG. 5 is a right-side view thereof;
FIG. 6 is a top view thereof; and,
FIG. 7 is a bottom view thereof.
The broken lines depict portions of the electronic scale that form no part of the claimed design.

1 Claim, 5 Drawing Sheets



(56)

References Cited

FOREIGN PATENT DOCUMENTS

CN	306283603	*	8/2020
CN	306335015	*	9/2020
CN	306389916	*	10/2020
CN	306520192	*	12/2020
CN	306669535	*	12/2020

OTHER PUBLICATIONS

Domini, Digital Kitchen Food Scale, Date first available Jul. 9, 2020, [online]retrieved Jul. 21, 2021, available from https://www.amazon.com/Digital-Kitchen-Stainless-Display-Include/dp/B08CMFWBQF/ref=pd_di_sccai_44/141-7747482-1120229?pd_rd_w=4UAON&pf_rd_p=c9443270-b914-4430-a90b-72e3e7e784e0&pf_rd_r=R9Y4DS (Year: 2020).*

Nicewell Store, Max Digital Kitchen Scale, Date first available May 28, 2019, [online]retrieved Jul. 21, 2021, available from https://www.amazon.com/Nicewell-Stainless-Capacity-Batteries-Included/dp/B07S9YSK6Z/ref=pd_di_sccai_51/141-7747482-1120229?pd_rd_w=GLp0I&pf_rd_p=c9443270-b914-4430-a90b-72e3e7e784e0& (Year: 2019).*

Bramtek .Digital Kitchen Scale, Date first available Nov. 17, 2019, [online]retrieved Jul. 21, 2021, available from https://www.amazon.com/dp/B081MXWX3L/ref=sspa_dk_detail_3?psc=1&pd_rd_i=B081MXWX3L&pd_rd_w=dHaA3&pf_rd_p=5d846283-ed3e-4512-a744-a30f97c5d738&pd_rd_wg=no1KF&pf_rd_r=WD0SMTMZQ3QQTPS07YX&pd_ (Year: 2019).*

* cited by examiner

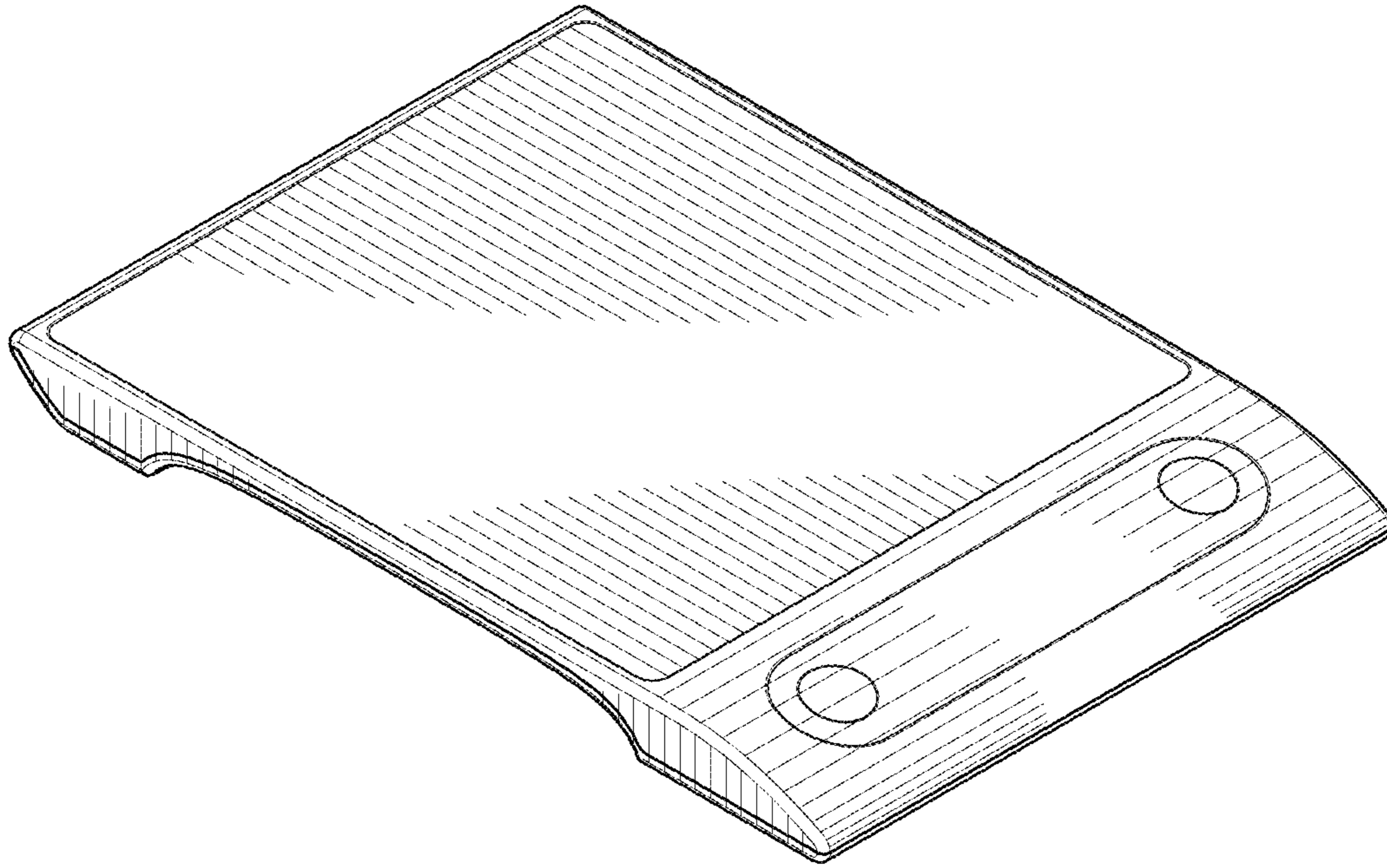


FIG. 1

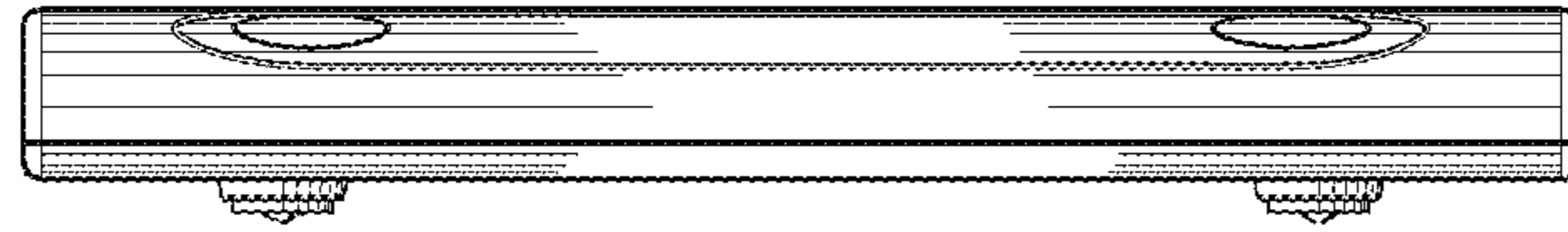


FIG. 2



FIG. 3

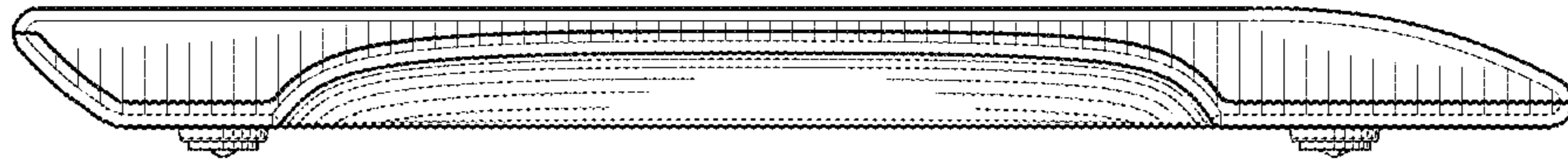


FIG. 4

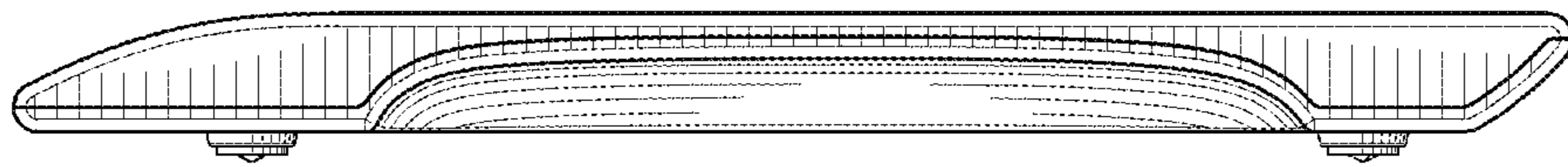


FIG. 5

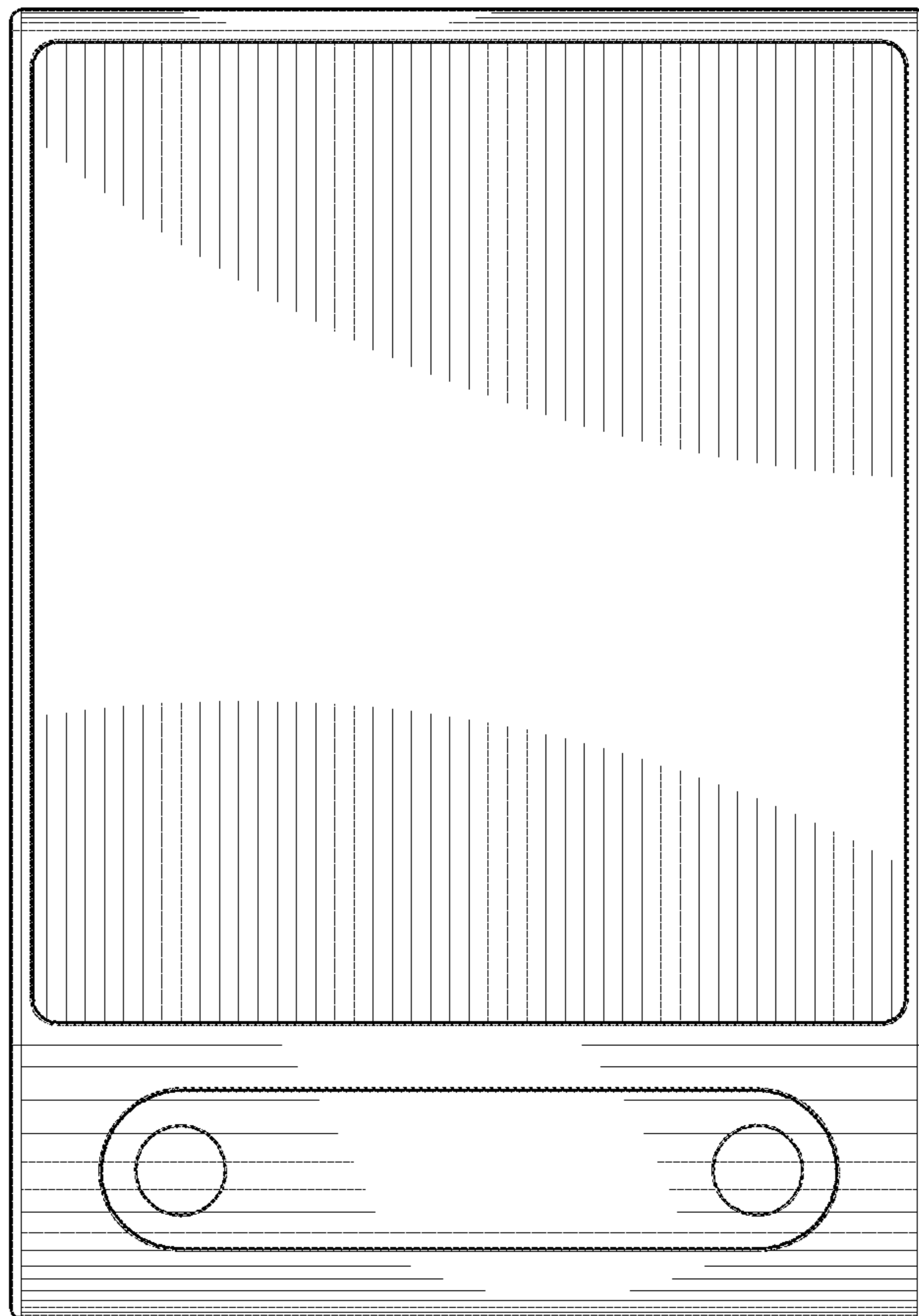


FIG. 6

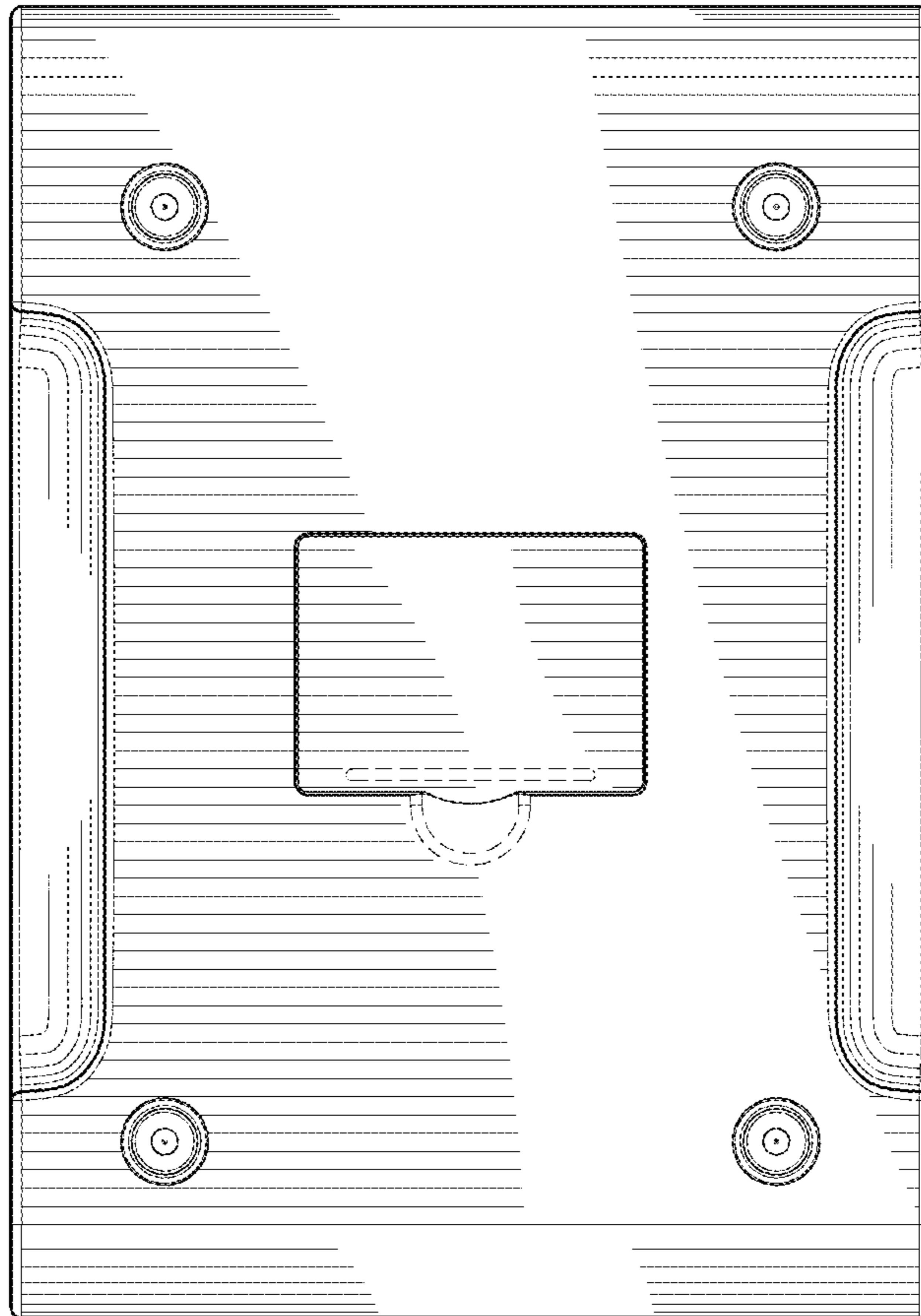


FIG. 7