



US00D945888S

(12) **United States Design Patent**
Dai

(10) **Patent No.:** **US D945,888 S**
(45) **Date of Patent:** **** Mar. 15, 2022**

- (54) **PARTITIONED CONTAINER**
- (71) Applicant: **ShenZhen YiHong Technology Co., LTD, Guangdong (CN)**
- (72) Inventor: **Yi Dai, ShenZhen (CN)**
- (73) Assignee: **ShenZhen YiHong Technology CO., LTD, ShenZhen (CN)**
- (**) Term: **15 Years**
- (21) Appl. No.: **29/780,413**
- (22) Filed: **Apr. 23, 2021**
- (51) **LOC (13) Cl.** **09-03**
- (52) **U.S. Cl.**
USPC **D9/737; D3/313; D7/553.1**
- (58) **Field of Classification Search**
USPC **D9/737, 756, 761, 414, 423-425, D9/430-432, 456, 499; D7/553.1-553.8, D7/554.1, 554.3, 554.4, 555, 557, 601, D7/603; D3/304, 313; D15/79-89**
CPC **B65D 25/06; B65D 2543/00388; B65D 25/2855; B65F 1/02**
See application file for complete search history.

3,534,866	A *	10/1970	Asenbauer	B65D 21/048	211/126.2
D224,369	S *	7/1972	Mears	D3/304	
4,015,713	A *	4/1977	Clipson	B65D 21/0213	206/509
4,179,061	A	12/1979	Gilbert		
D274,012	S *	5/1984	Williams	D3/304	
D275,918	S *	10/1984	Taylor	D3/304	
D283,074	S *	3/1986	Skillius	D3/304	
D301,927	S *	6/1989	Williams, Jr.	D3/304	
D312,839	S *	12/1990	Nemeth	D19/75	
D327,971	S *	7/1992	Cugley	D3/304	
D458,429	S *	6/2002	Lenard	D34/1	
D465,332	S *	11/2002	Brown	D3/304	
D474,688	S *	5/2003	Litts	D3/295	
D517,319	S	3/2006	Wisnoski et al.		
D575,956	S *	9/2008	Reardon	D3/295	
D588,907	S *	3/2009	Cesario, Jr.	D9/418	
D606,314	S *	12/2009	Neilsen	D3/313	
D621,619	S *	8/2010	Ripoll	D3/304	
8,025,174	B2 *	9/2011	Martheenal	B65D 21/048	220/495.11

(Continued)

Primary Examiner — W. A. Teddy Falloway
(74) *Attorney, Agent, or Firm* — iPA & iPM

(57) **CLAIM**

The ornamental design for a partitioned container, as shown and described.

DESCRIPTION

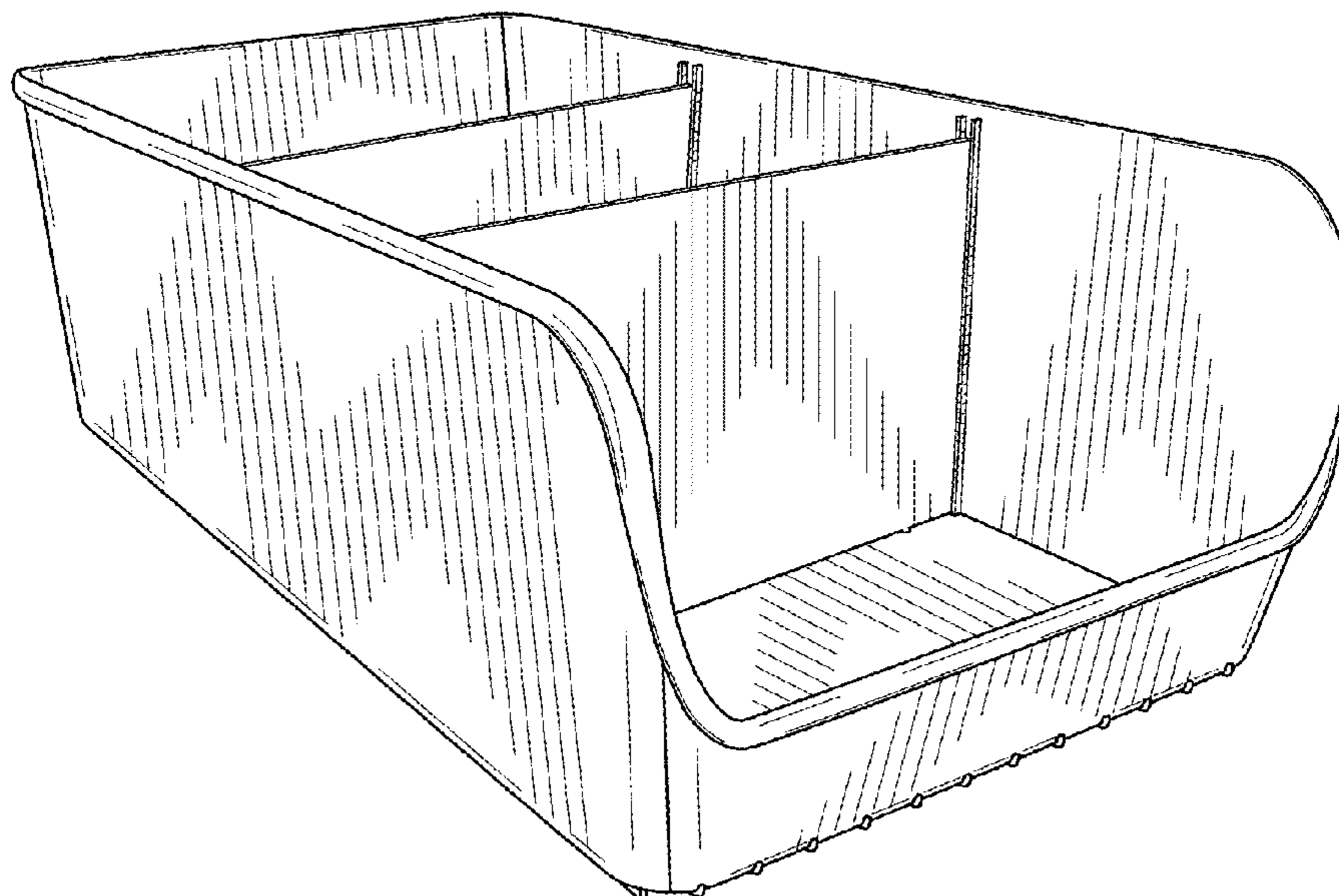
FIG. 1 is a perspective view of a partitioned container showing my new design;
FIG. 2 is left side view thereof;
FIG. 3 is a front view thereof;
FIG. 4 is a right side view thereof;
FIG. 5 is a back view thereof;
FIG. 6 is a top view thereof;
FIG. 7 is a bottom view thereof; and,
FIG. 8 is a perspective view of a partition panel, shown separately for completeness of illustration.

1 Claim, 4 Drawing Sheets

(56) **References Cited**

U.S. PATENT DOCUMENTS

D191,144	S *	8/1961	Schanz	D3/307
3,113,680	A *	12/1963	Frater	B65D 21/048
				211/126.4
3,252,614	A *	5/1966	Evans	B65D 21/0212
				206/509
3,259,269	A *	7/1966	Asenbauer	B65D 21/0213
				206/509
D205,866	S *	9/1966	Asenbauer	D3/304
3,347,394	A *	10/1967	Gould	B65D 25/005
				211/126.2
D210,681	S *	4/1968	Gould	D7/602



(56)

References Cited

U.S. PATENT DOCUMENTS

8,152,005 B2 *	4/2012	Barkdoll	A47F 5/0025				
				211/88.01				
D666,829 S *	9/2012	Liao	D3/304				
D699,034 S	2/2014	Engert						
D731,185 S *	6/2015	Hsu	D3/304				
D731,186 S *	6/2015	Hsu	D3/304				
D734,611 S *	7/2015	Baruch	D3/313				
D745,068 S *	12/2015	Jeon	D15/89				
D745,781 S *	12/2015	Hsu	D3/304				
D762,065 S *	7/2016	Hsu	D3/304				
D766,574 S *	9/2016	Hsu	D3/304				
D775,830 S	1/2017	Duvigneau						
D784,018 S *	4/2017	Shamp	D3/304				
9,676,518 B2	6/2017	Shamp et al.						
9,878,817 B2	1/2018	Youell et al.						
D812,910 S	3/2018	Harvey						
D819,971 S	6/2018	Lindsay et al.						
D848,188 S	5/2019	Holm						
D855,991 S *	8/2019	Hsu	D3/304				
D860,812 S *	9/2019	McNally	D9/736				
					D872,482 S	1/2020	Harvey	
					D880,160 S *	4/2020	Hsu D3/304
					D891,879 S	8/2020	Adams, Jr. et al.	
					D913,694 S *	3/2021	Kraemer D3/306
					D924,568 S *	7/2021	Hsu D3/304
					2007/0131632 A1 *	6/2007	Brown B65D 25/06
								211/126.13
					2009/0084786 A1 *	4/2009	Claypool A47J 47/04
								220/254.9
					2009/0134169 A1 *	5/2009	Christenson B65D 25/06
								220/553
					2009/0178989 A1 *	7/2009	Accuardi A47B 87/0269
								211/126.7
					2009/0294451 A1 *	12/2009	Martheenal B65D 25/2855
								220/495.11
					2012/0043289 A1 *	2/2012	Brown B65D 25/00
								211/133.6
					2012/0074024 A1 *	3/2012	Kobilarcik B65D 25/06
								206/509
					2018/0094984 A1 *	4/2018	Sadinski B65D 25/06
					2021/0031979 A1 *	2/2021	Feurer B65D 1/22

* cited by examiner

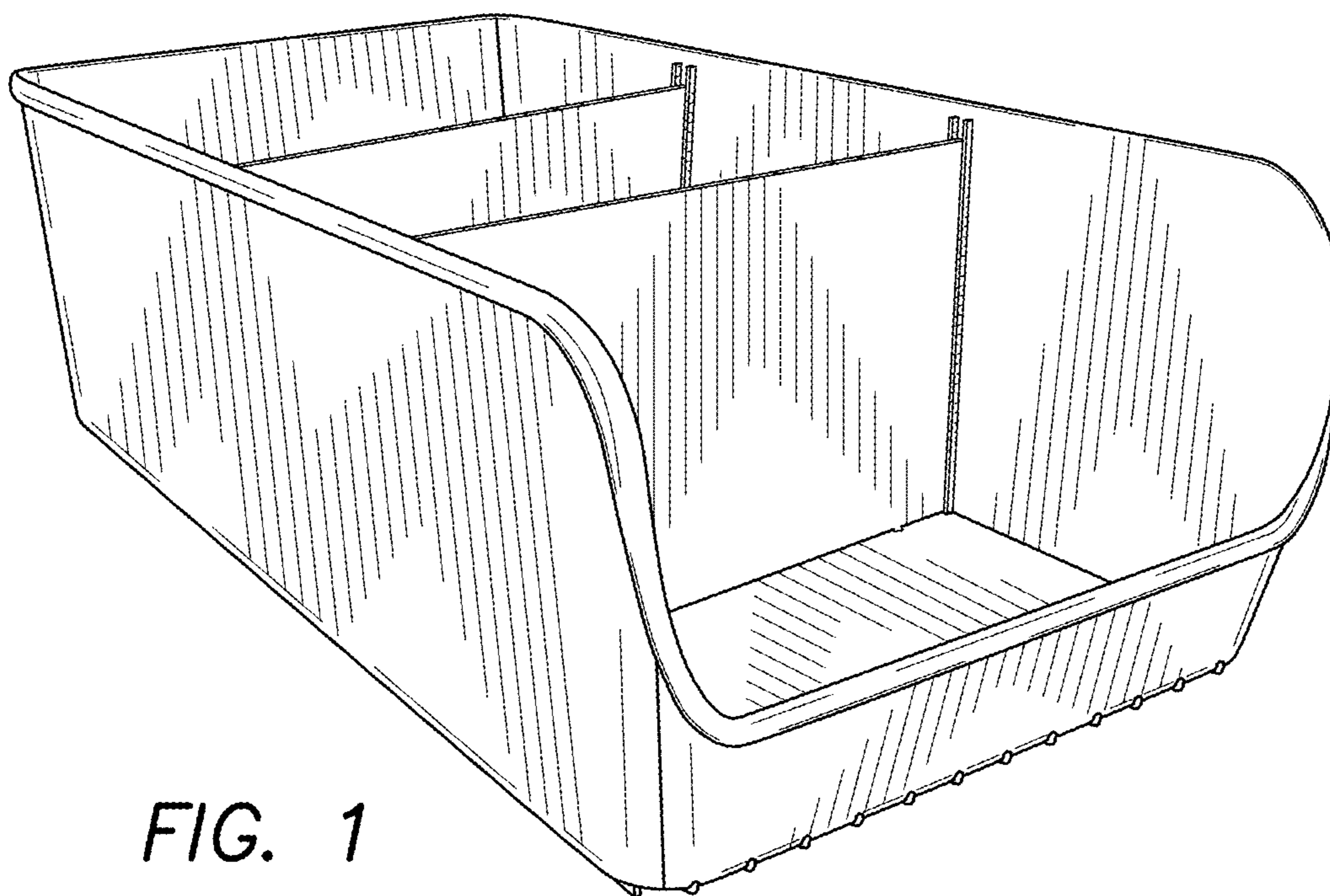


FIG. 1

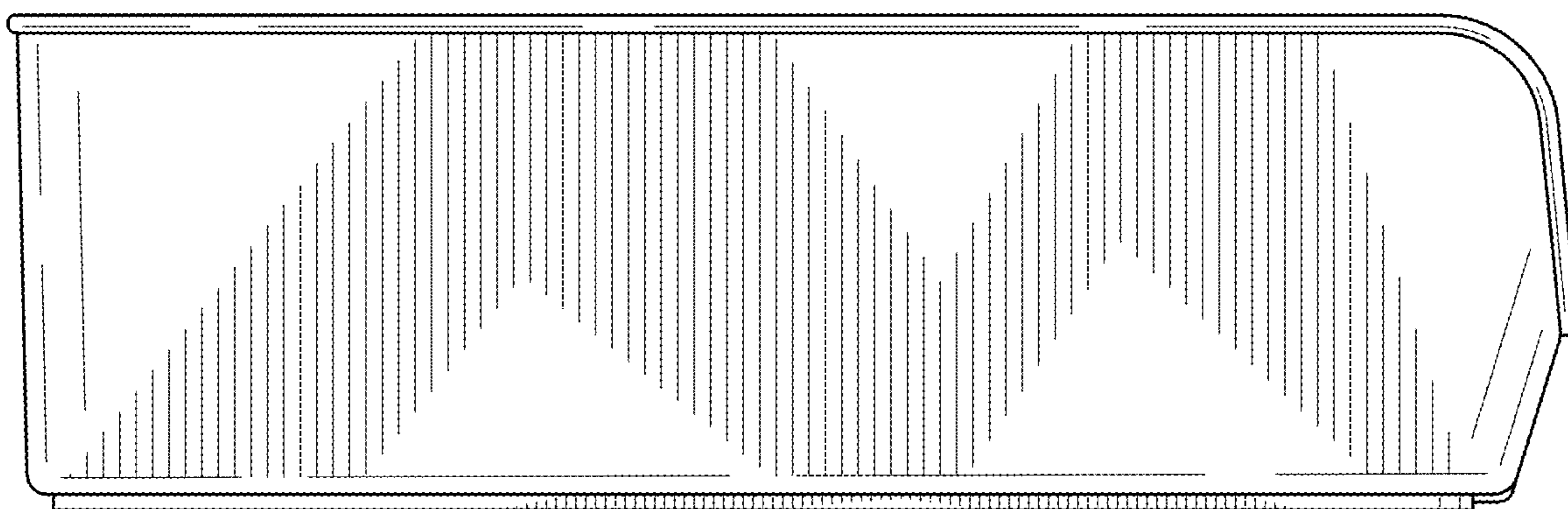


FIG. 2

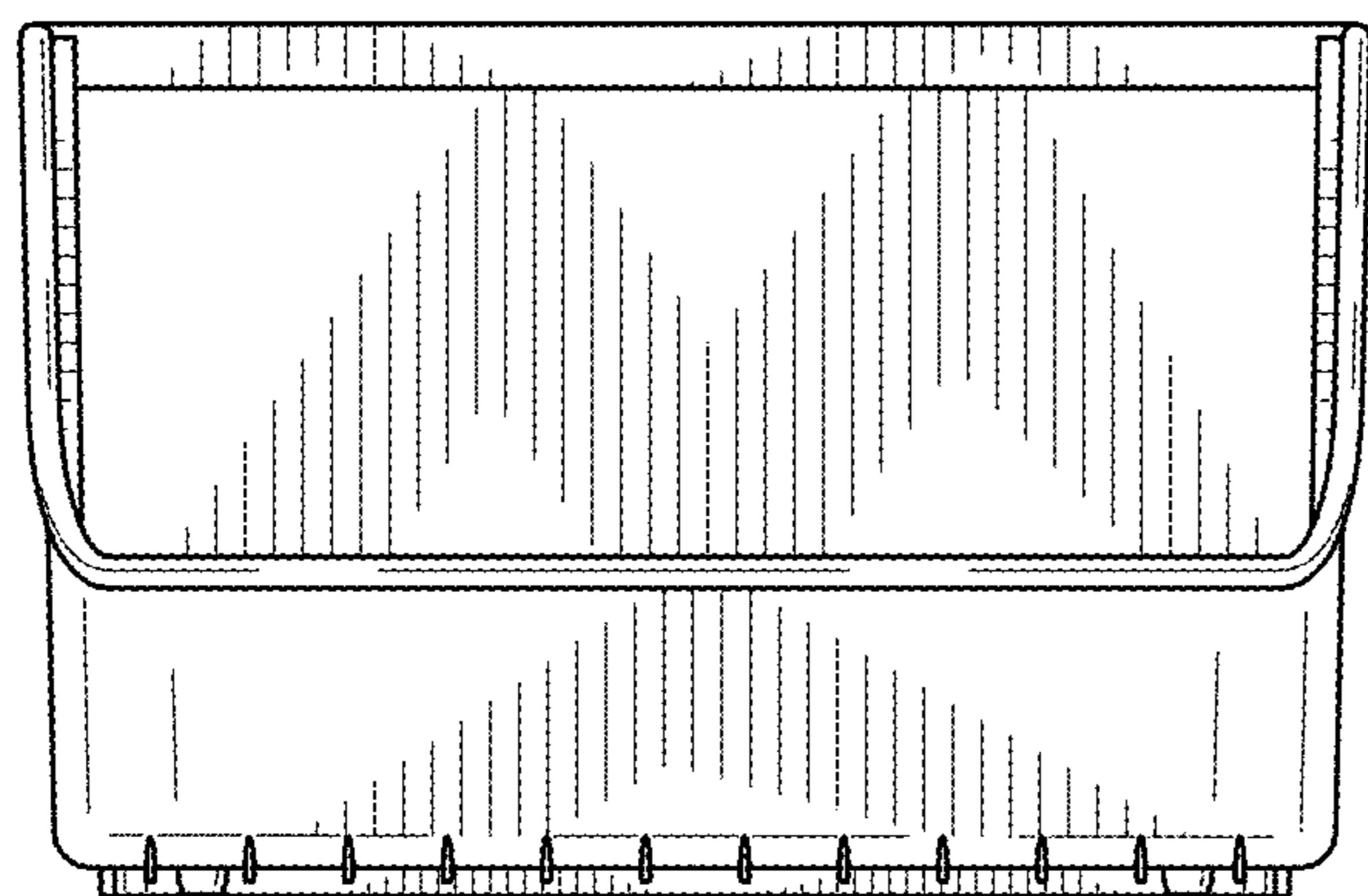


FIG. 3

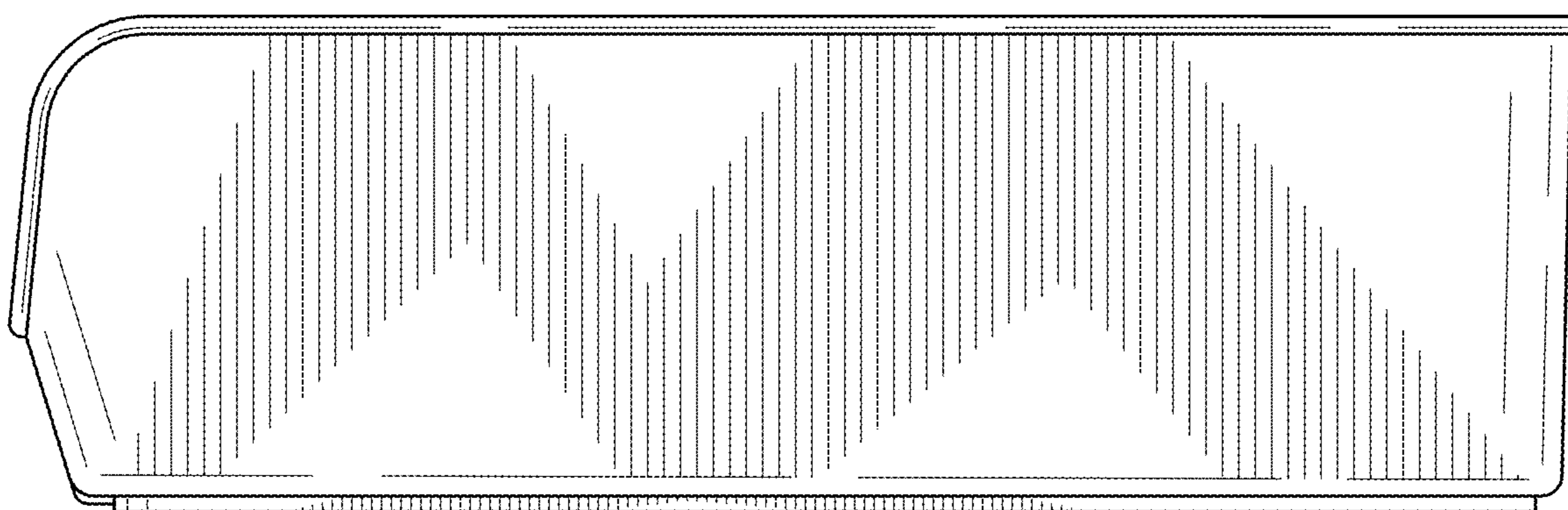


FIG. 4

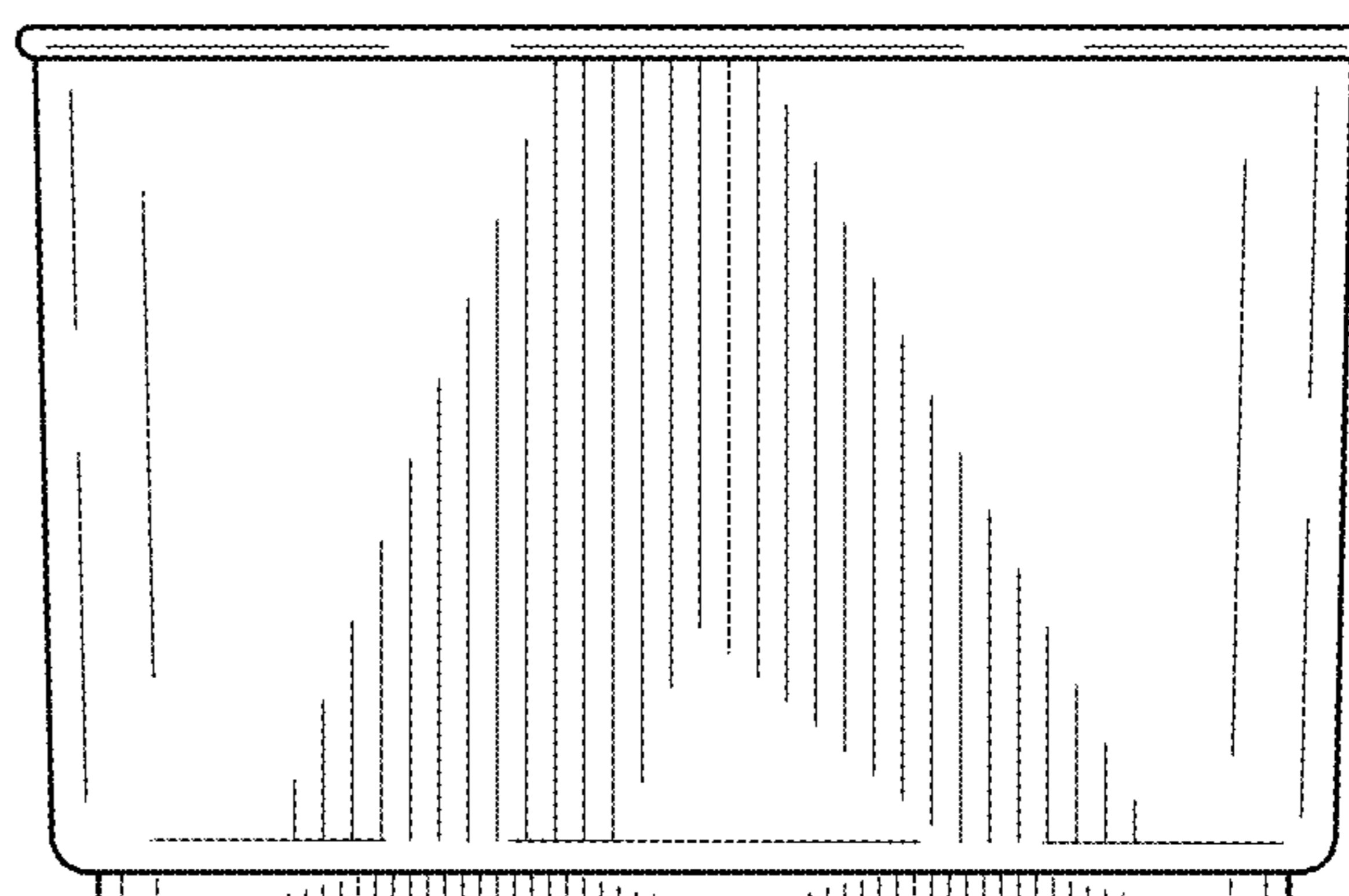


FIG. 5

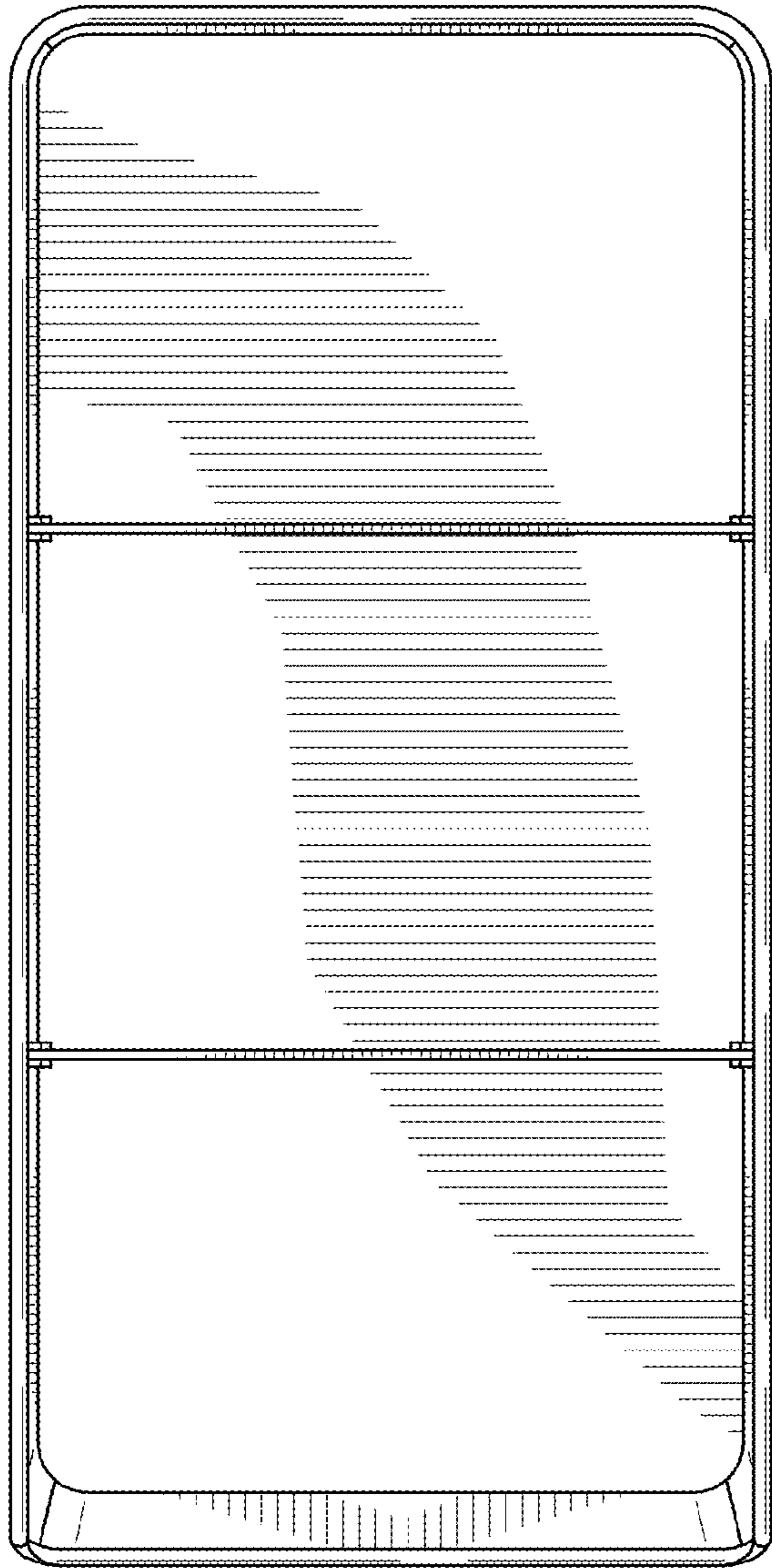


FIG. 6

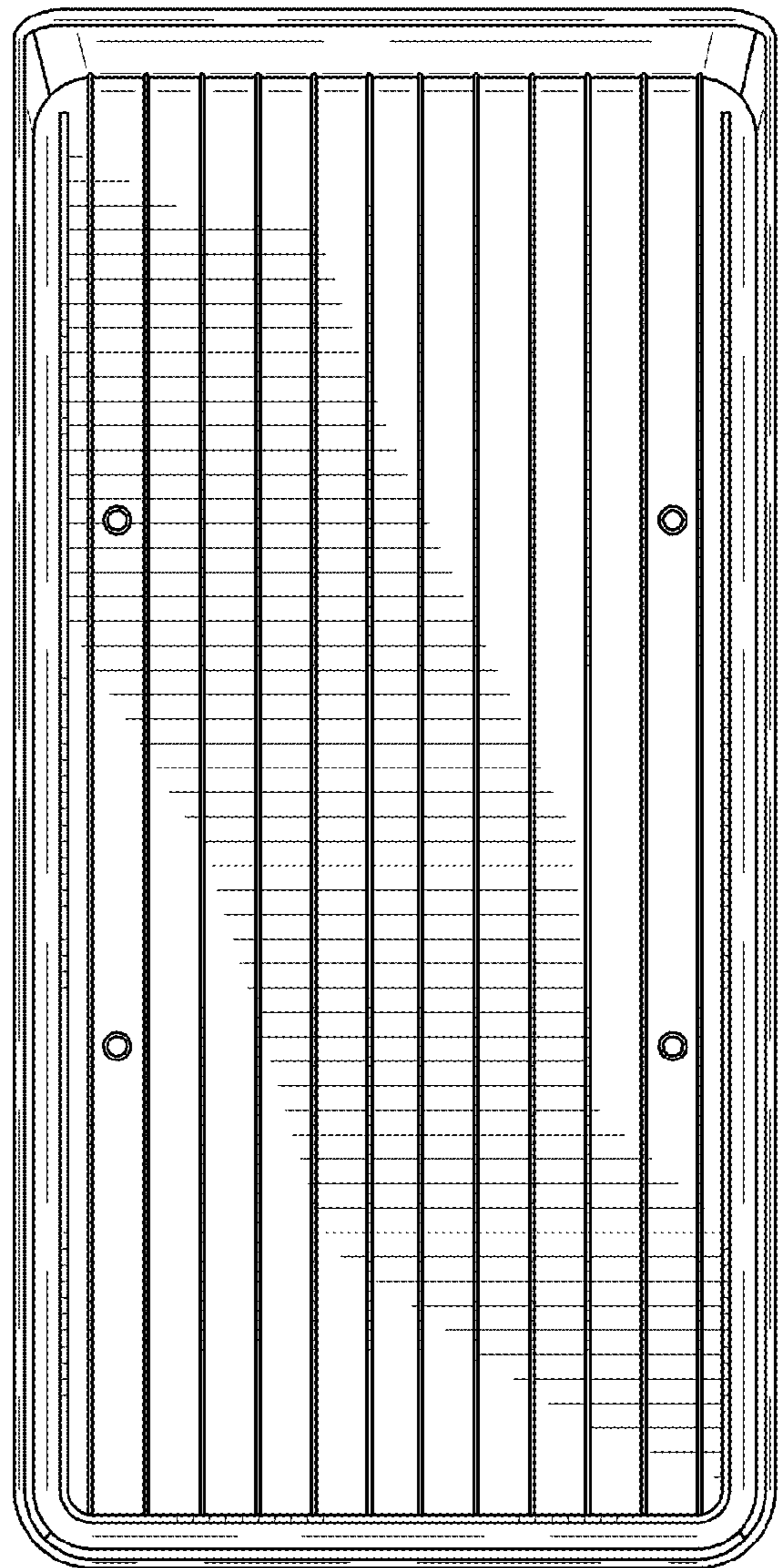


FIG. 7

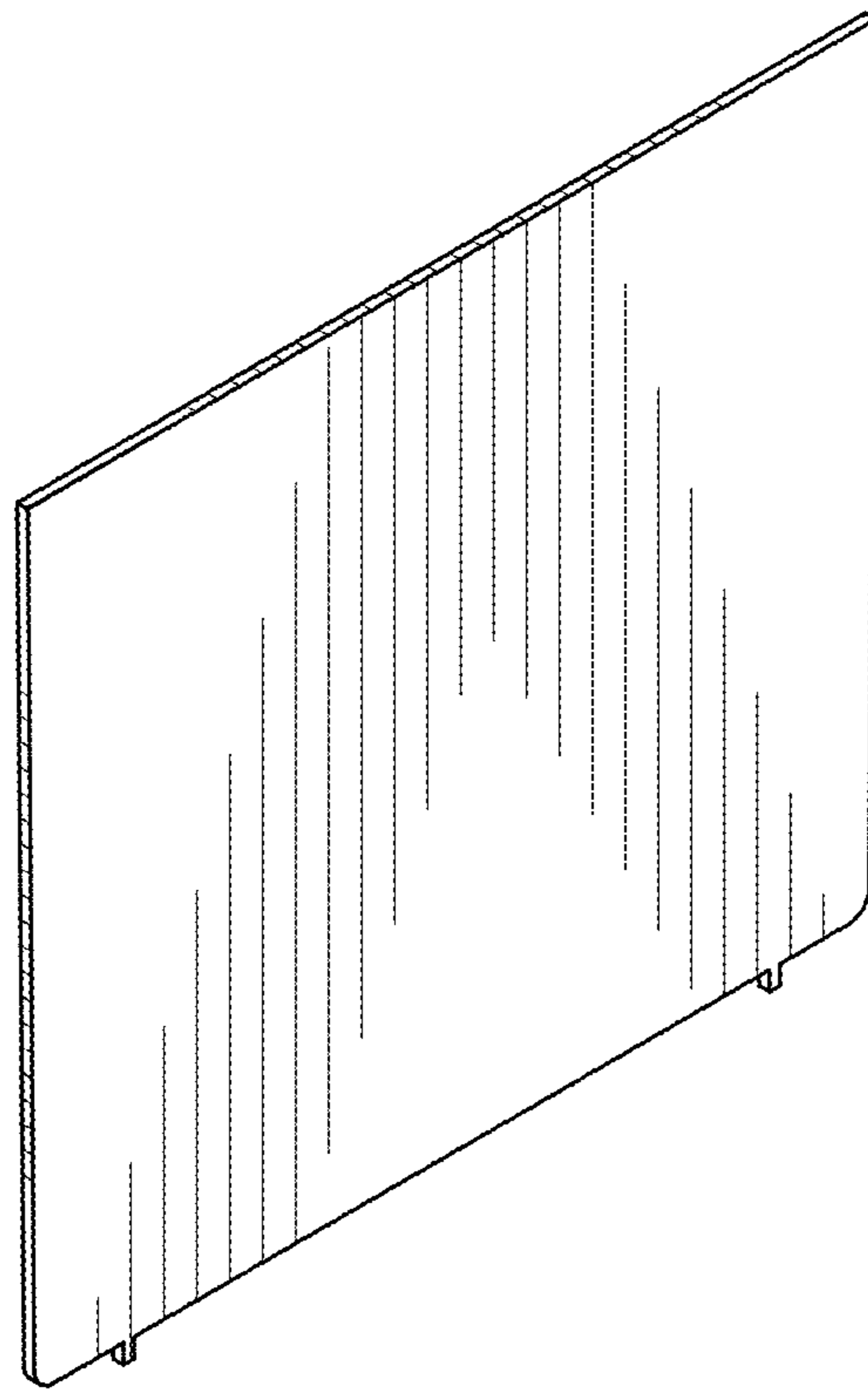


FIG. 8