



US00D945884S

(12) **United States Design Patent**  
**Shain et al.**

(10) **Patent No.:** **US D945,884 S**

(45) **Date of Patent:** **\*\* Mar. 15, 2022**

(54) **JAR**

(71) Applicants: **David Shain**, Suwanee, GA (US);  
**Michael Moore**, Flowery Branch, GA (US)

(72) Inventors: **David Shain**, Suwanee, GA (US);  
**Michael Moore**, Flowery Branch, GA (US)

(\*\*) Term: **15 Years**

(21) Appl. No.: **29/737,828**

(22) Filed: **Jun. 24, 2020**

(51) **LOC (13) Cl.** ..... **09-01**

(52) **U.S. Cl.**  
USPC ..... **D9/556**; D9/551; D9/558

(58) **Field of Classification Search**  
USPC ..... D9/414, 417-418, 424, 428-429, 434,  
D9/516, 529, 549, 551, 556, 558, 575,  
D9/715; D3/203.2-203.4, 219;  
D27/189-190; D28/76, 82  
CPC ..... B65D 1/00; B65D 1/02; B65D 1/0223;  
B65D 23/00; B65D 51/32; B65D  
2501/00; B65D 2501/0009  
See application file for complete search history.

(56) **References Cited**

U.S. PATENT DOCUMENTS

D155,559 S \* 10/1949 Tillmann ..... D9/529  
D272,324 S \* 1/1984 Mumford ..... D9/452

D334,323 S \* 3/1993 Rohrbeck ..... D7/553.6  
D673,450 S \* 1/2013 Cronin ..... D9/452  
D711,227 S \* 8/2014 Sheikh ..... D9/435  
D723,274 S \* 3/2015 Almanaseer ..... D3/264

\* cited by examiner

*Primary Examiner* — Dana Meyrow

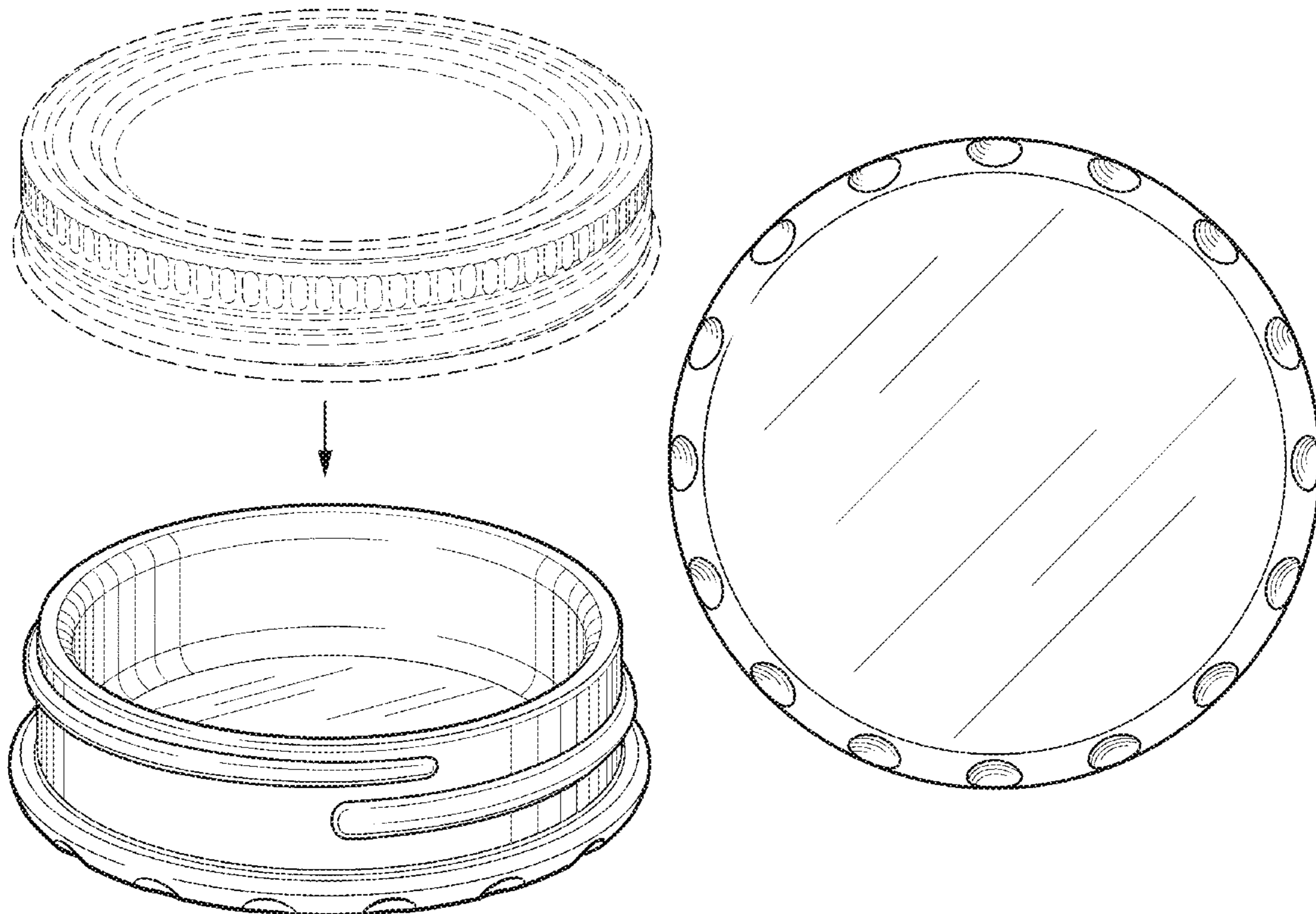
(57) **CLAIM**

We claim the ornamental design for a jar, as shown and described.

**DESCRIPTION**

FIG. 1 is a top perspective view of a jar showing our new design  
FIG. 2 is a bottom perspective view thereof;  
FIG. 3 is a top plan view thereof;  
FIG. 4 is a cross-section view thereof taken along the line 4-4 in FIG. 3;  
FIG. 5 is a bottom plan view thereof;  
FIG. 6 is a front elevation view thereof; and,  
FIG. 7 is a rear elevation view thereof.  
The evenly-dashed broken lines showing the closure in FIGS. 1 & 2 illustrate the portions of the jar that form no part of the claim. The dot-dash broken line in FIG. 3 is to indicate where the FIG. 4 cross-section view has been taken and forms no part thereof.

**1 Claim, 5 Drawing Sheets**



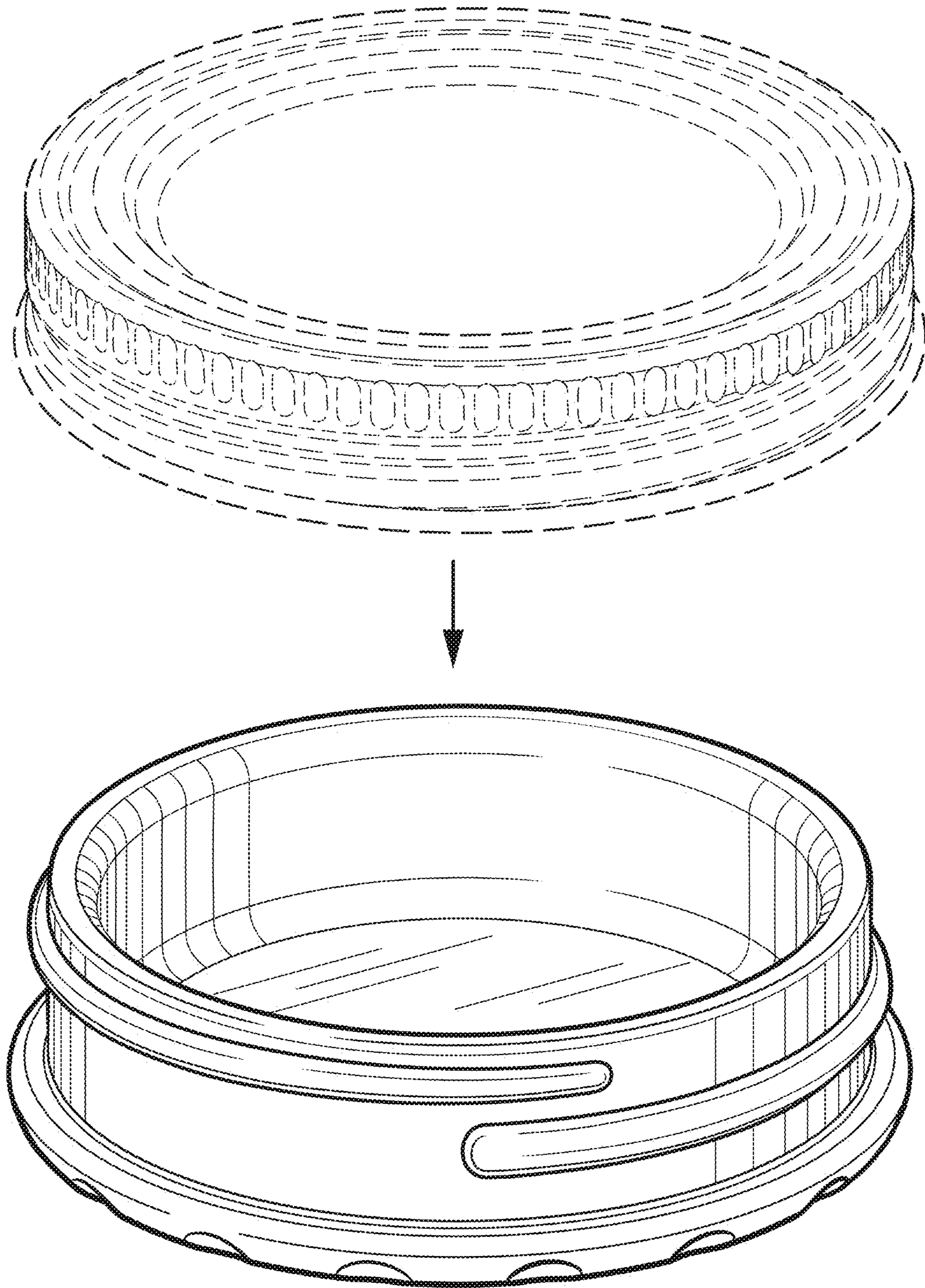


Fig. 1

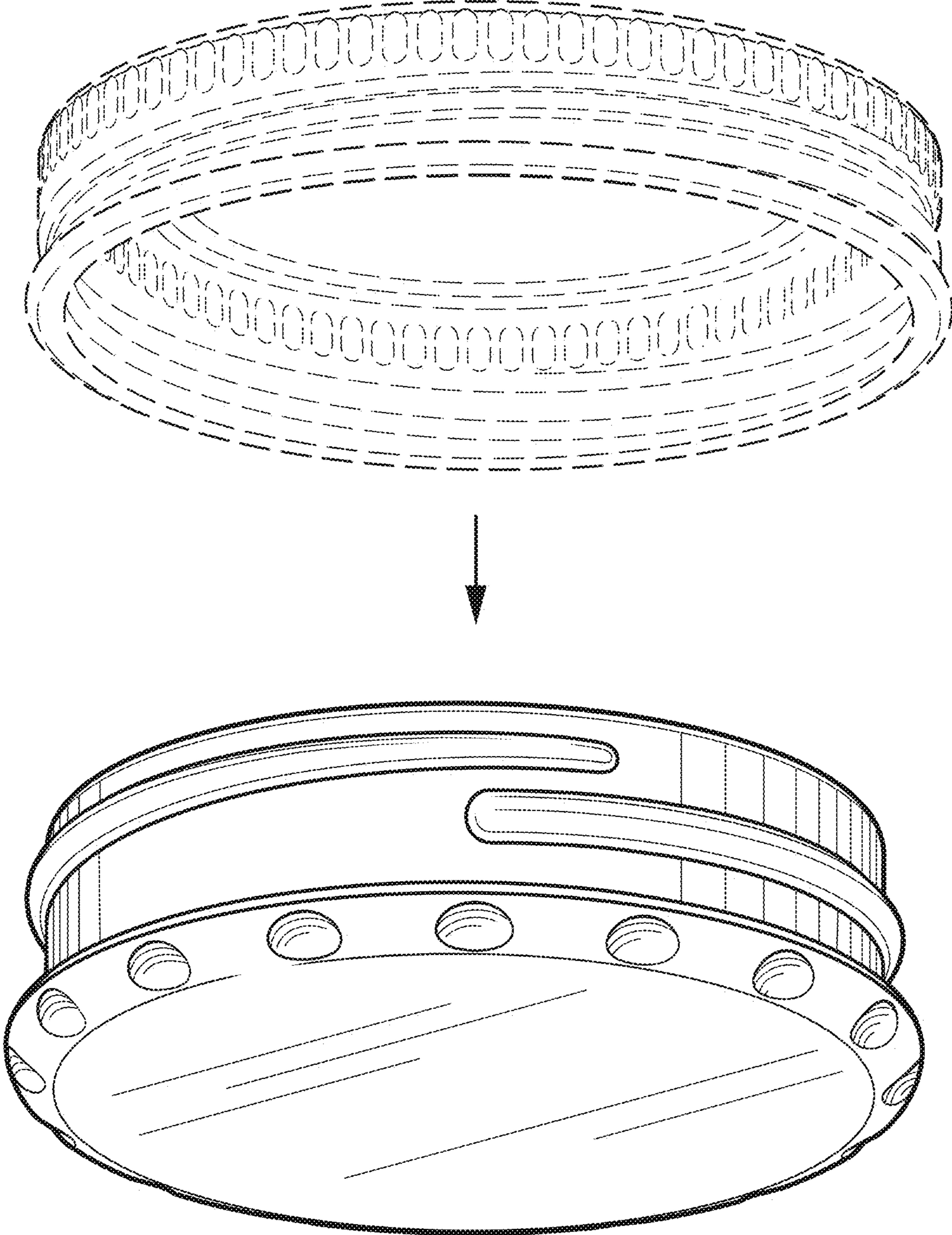


Fig. 2

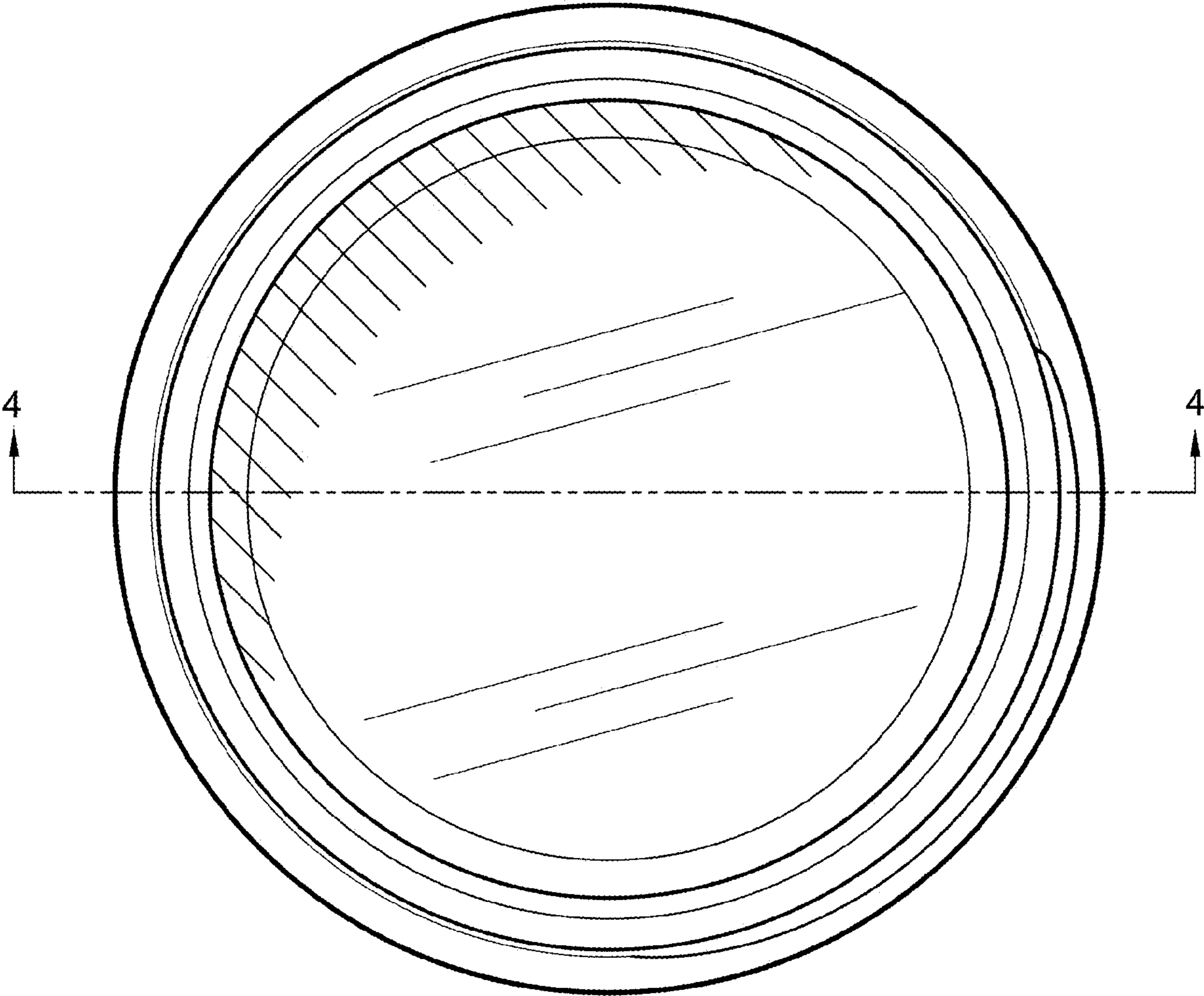


Fig. 3

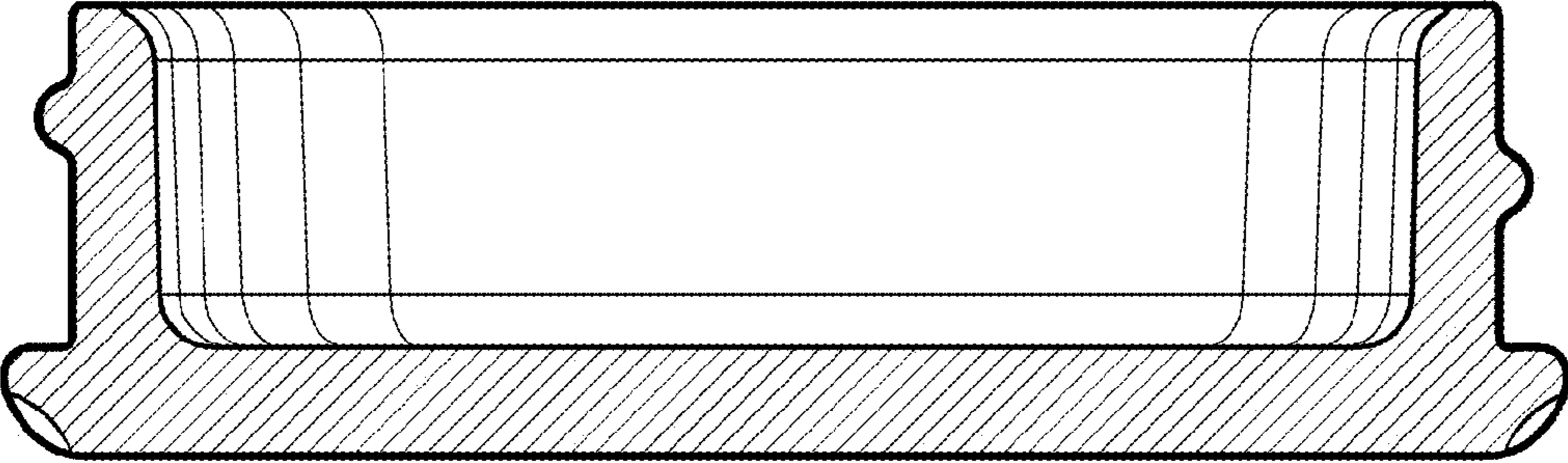


Fig. 4

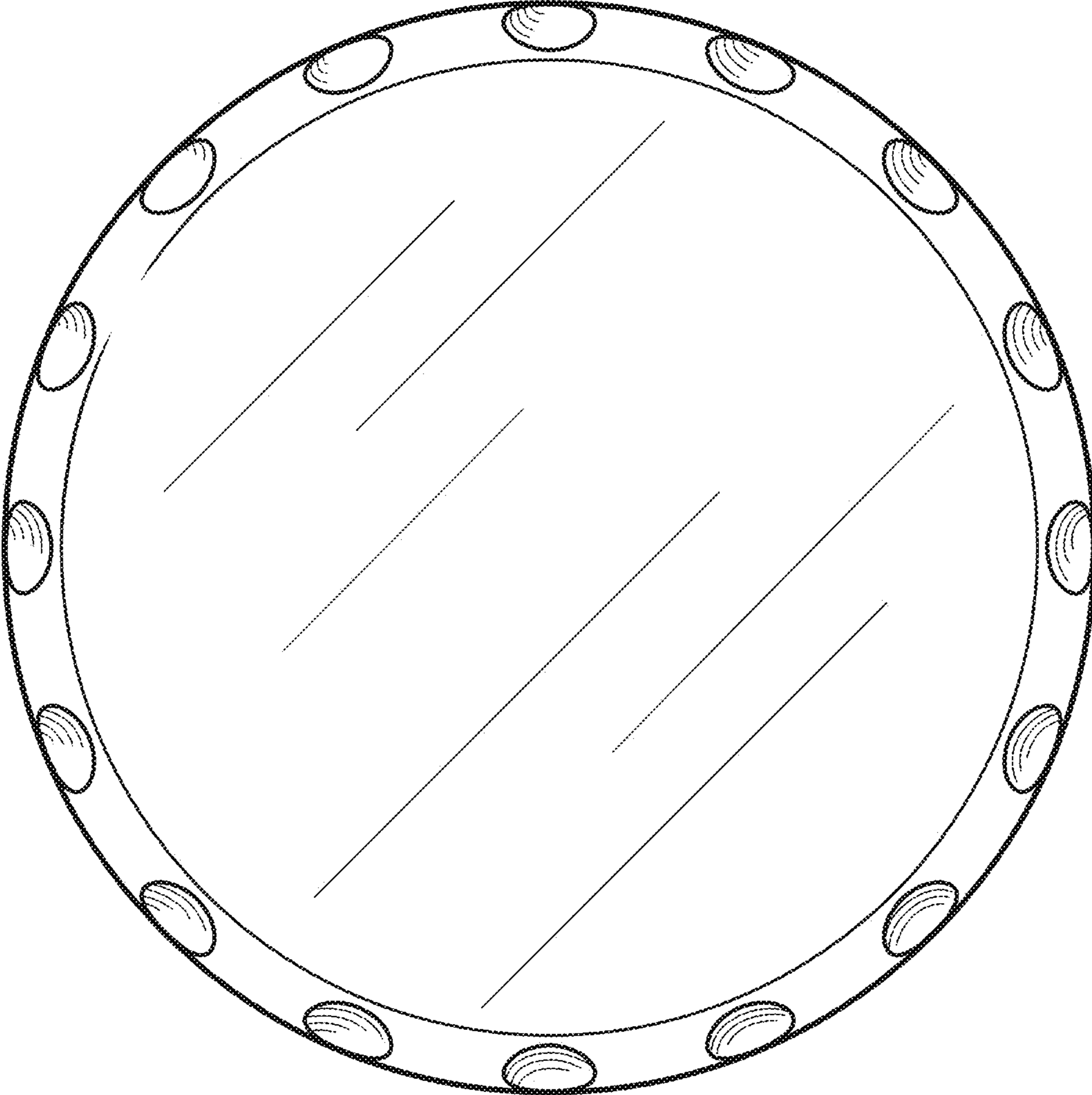


Fig. 5

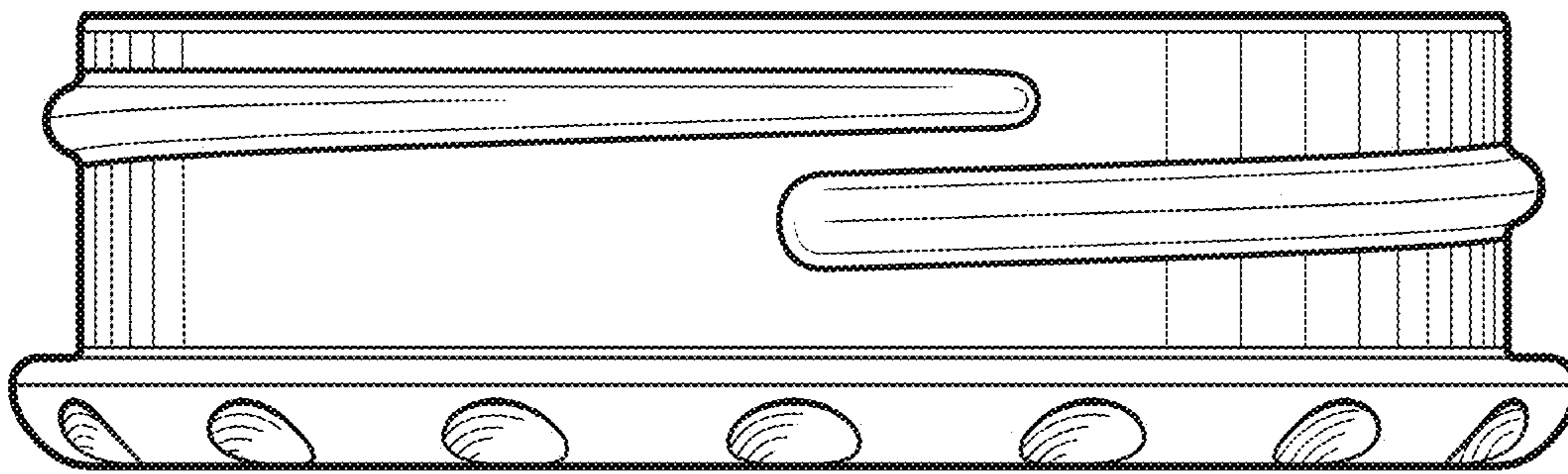


Fig. 6

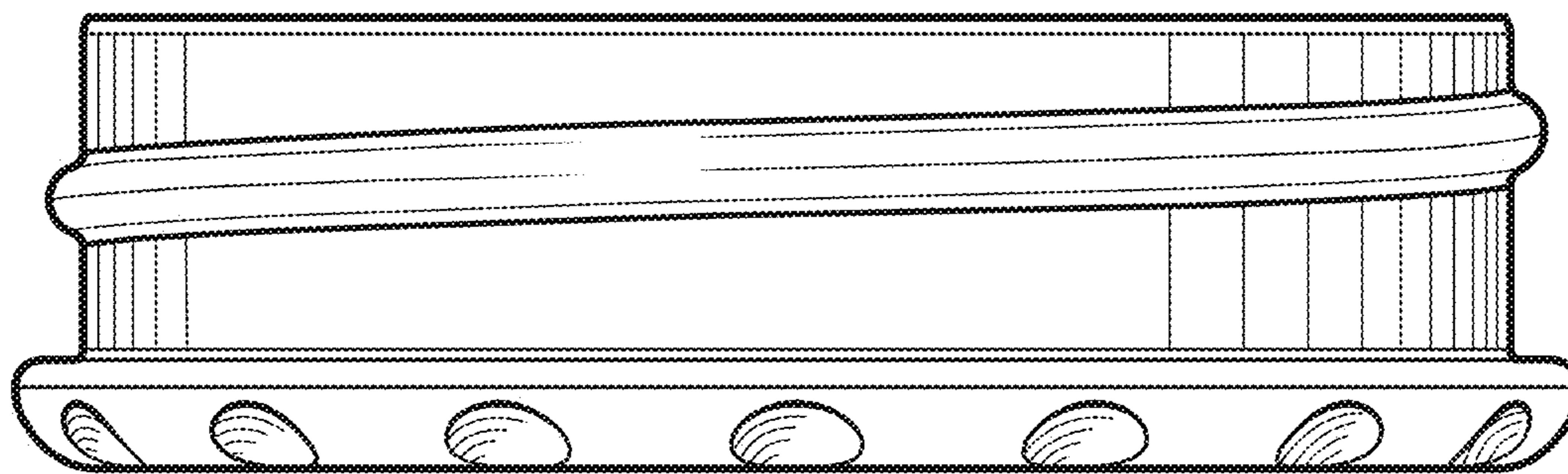


Fig. 7