

US00D945882S

(12) **United States Design Patent**  
**De Aldecoa Bueno**

(10) **Patent No.:** **US D945,882 S**

(45) **Date of Patent:** **\*\* Mar. 15, 2022**

(54) **BOTTLE**

(71) Applicant: **Carlos De Aldecoa Bueno**, Houston,  
TX (US)

(72) Inventor: **Carlos De Aldecoa Bueno**, Houston,  
TX (US)

(\*\*) Term: **15 Years**

(21) Appl. No.: **29/701,057**

(22) Filed: **Aug. 8, 2019**

(51) **LOC (13) Cl.** ..... **09-01**

(52) **U.S. Cl.**  
USPC ..... **D9/545; D9/575**

(58) **Field of Classification Search**  
USPC ..... D9/520, 544, 545, 556, 559-561, 563,  
D9/569, 573-575  
CPC ..... B65D 1/0223; B65D 1/0276; B65D  
2501/0081; B65D 81/3806; B65D  
81/3818  
See application file for complete search history.

(56) **References Cited**

**U.S. PATENT DOCUMENTS**

D45,937 S *	6/1914	Hochstadter	.....	D9/545
D50,296 S *	2/1917	Dawson	.....	D9/545
D242,125 S *	11/1976	Barcelo de Torres	.....	D9/545
D356,952 S *	4/1995	Daucourt	.....	D9/545
D389,600 S *	1/1998	Luedecke	.....	D9/545
D479,133 S *	9/2003	Quintero	.....	D9/575
D602,358 S *	10/2009	Eisen	.....	D9/545
D671,838 S *	12/2012	Potts	.....	D9/545
D697,410 S *	1/2014	Glasman	.....	D9/545
D698,647 S *	2/2014	Maillet	.....	D9/500
D724,437 S *	3/2015	Gaydon	.....	D9/545
D726,022 S *	4/2015	Humm	.....	D9/545

D741,719 S *	10/2015	Reynolds	.....	D9/545
D752,447 S *	3/2016	Reynolds	.....	D9/545
D815,543 S *	4/2018	Mazzer	.....	D9/545
D823,118 S *	7/2018	Larminaux	.....	D9/544
D856,808 S *	8/2019	Rowell	.....	D9/500

**FOREIGN PATENT DOCUMENTS**

CN	300827075	*	9/2008
CN	303504756	*	12/2015
CN	304128072	*	5/2017

**OTHER PUBLICATIONS**

Kelly Sparks, Jul. 18, 2018, Giant Bourbon Whiskey Review—New Distillery Warning YouTube Post, URL: <https://www.youtube.com/watch?v=fyknzncjWrw> (Year: 2018).\*

\* cited by examiner

*Primary Examiner* — Brett Miller  
*Assistant Examiner* — Rani J Abdallah  
(74) *Attorney, Agent, or Firm* — Egbert, McDaniel & Swartz, PLLC

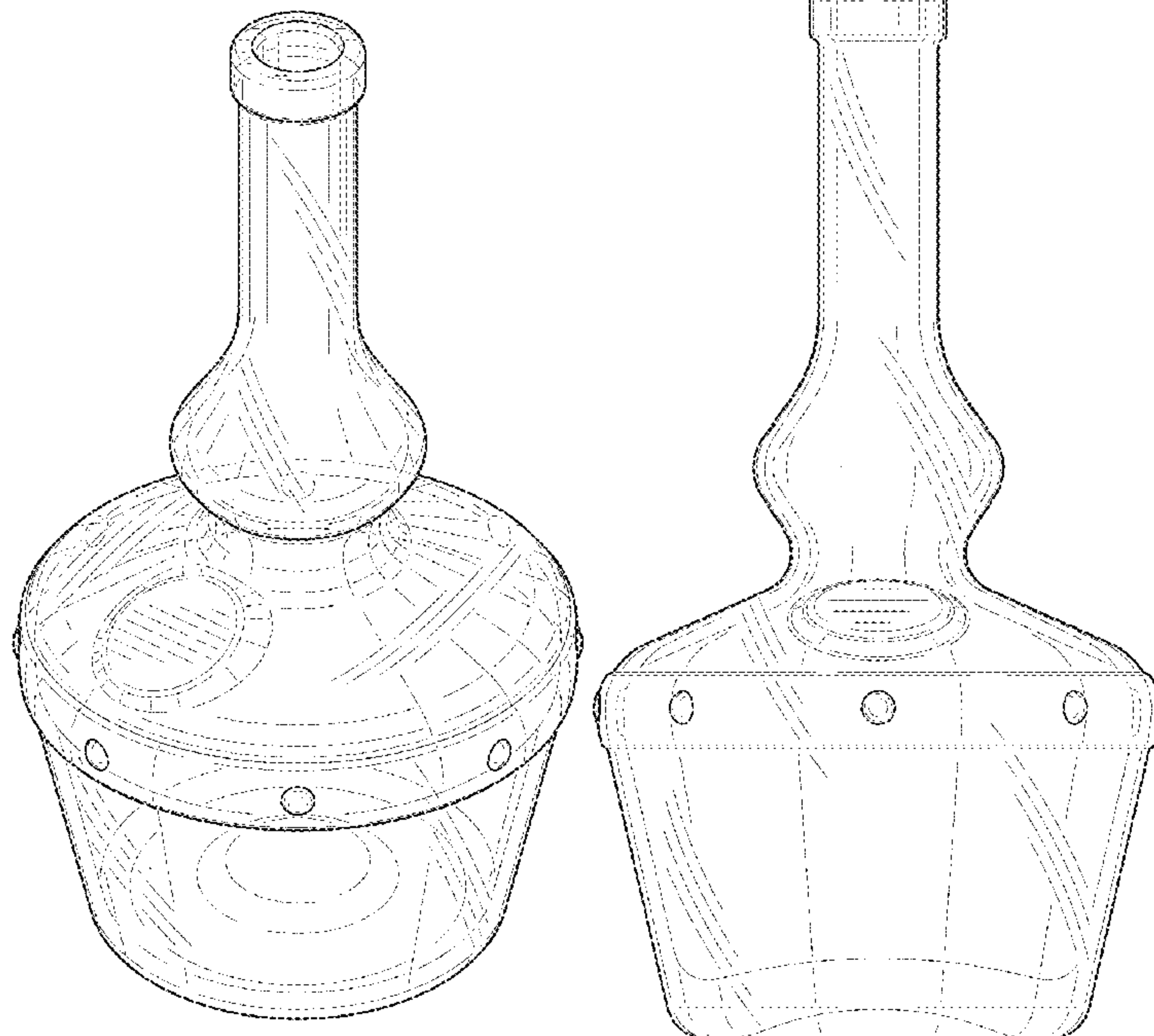
(57) **CLAIM**

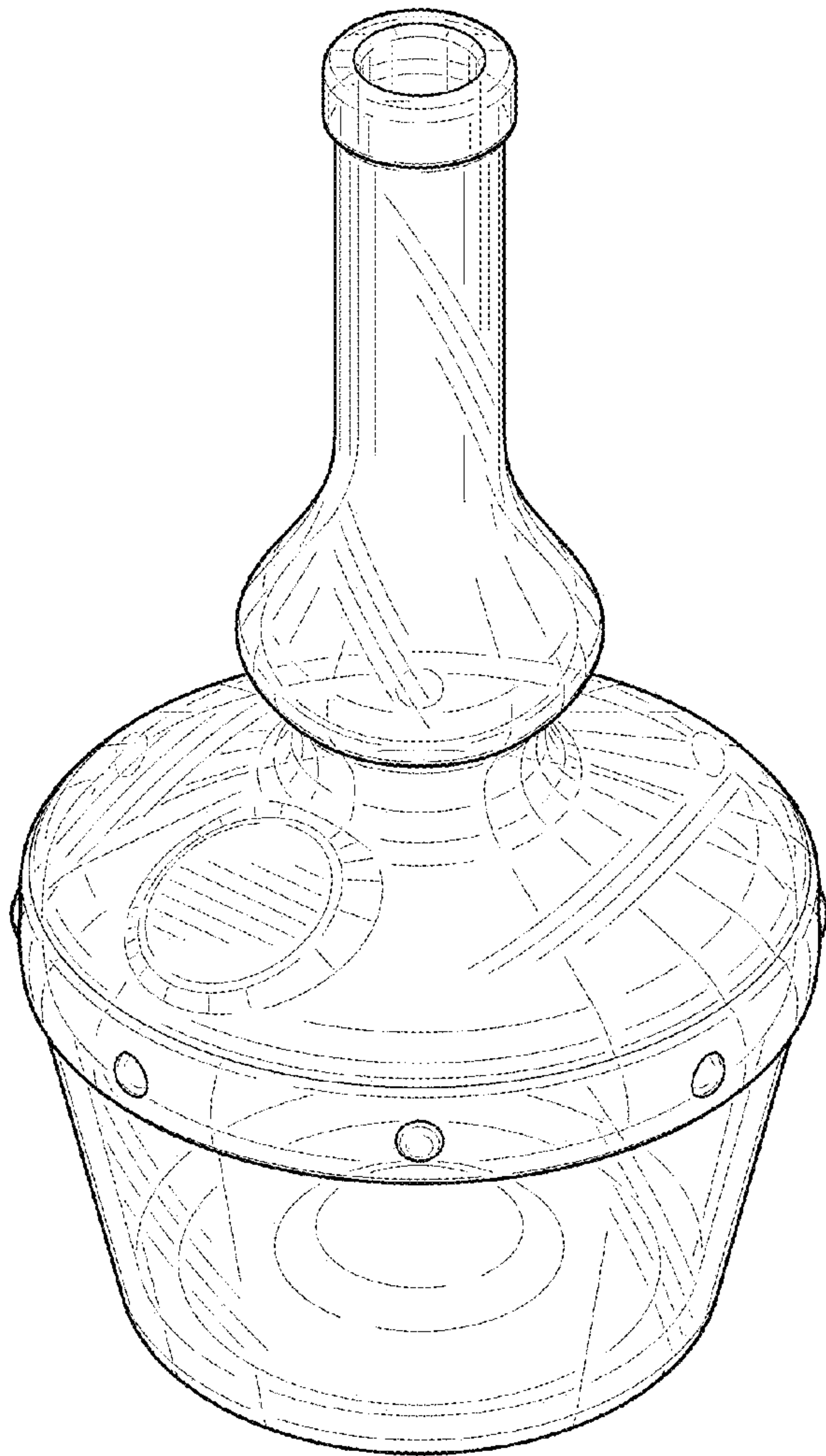
The ornamental design for a bottle, as shown and described.

**DESCRIPTION**

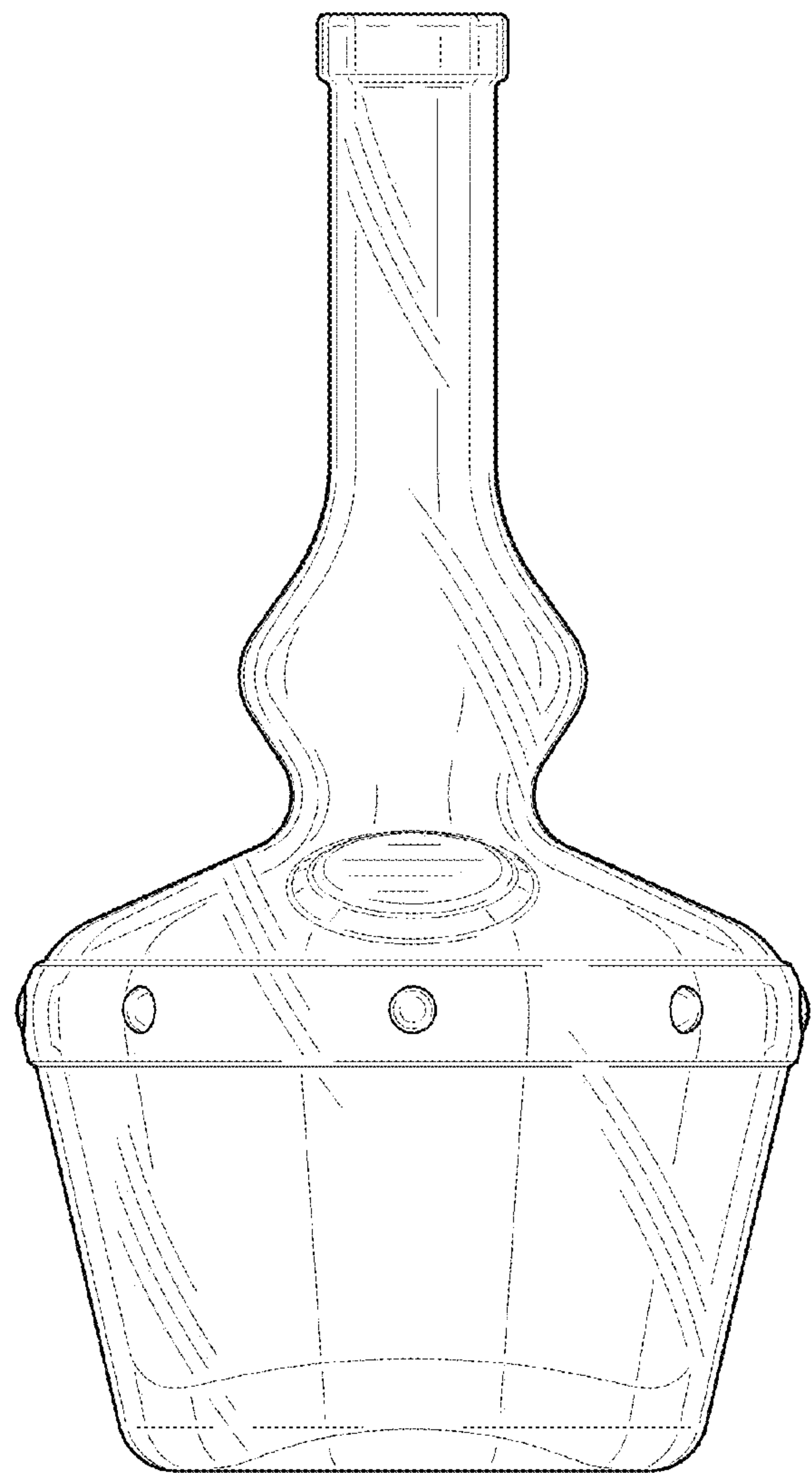
FIG. 1 is a perspective view of a bottle showing my new design.  
FIG. 2 is a front view thereof;  
FIG. 3 is a rear view thereof;  
FIG. 4 is a side view thereof;  
FIG. 5 is an opposite side view thereof;  
FIG. 6 is a top view thereof; and,  
FIG. 7 is a bottom view thereof.

**1 Claim, 3 Drawing Sheets**

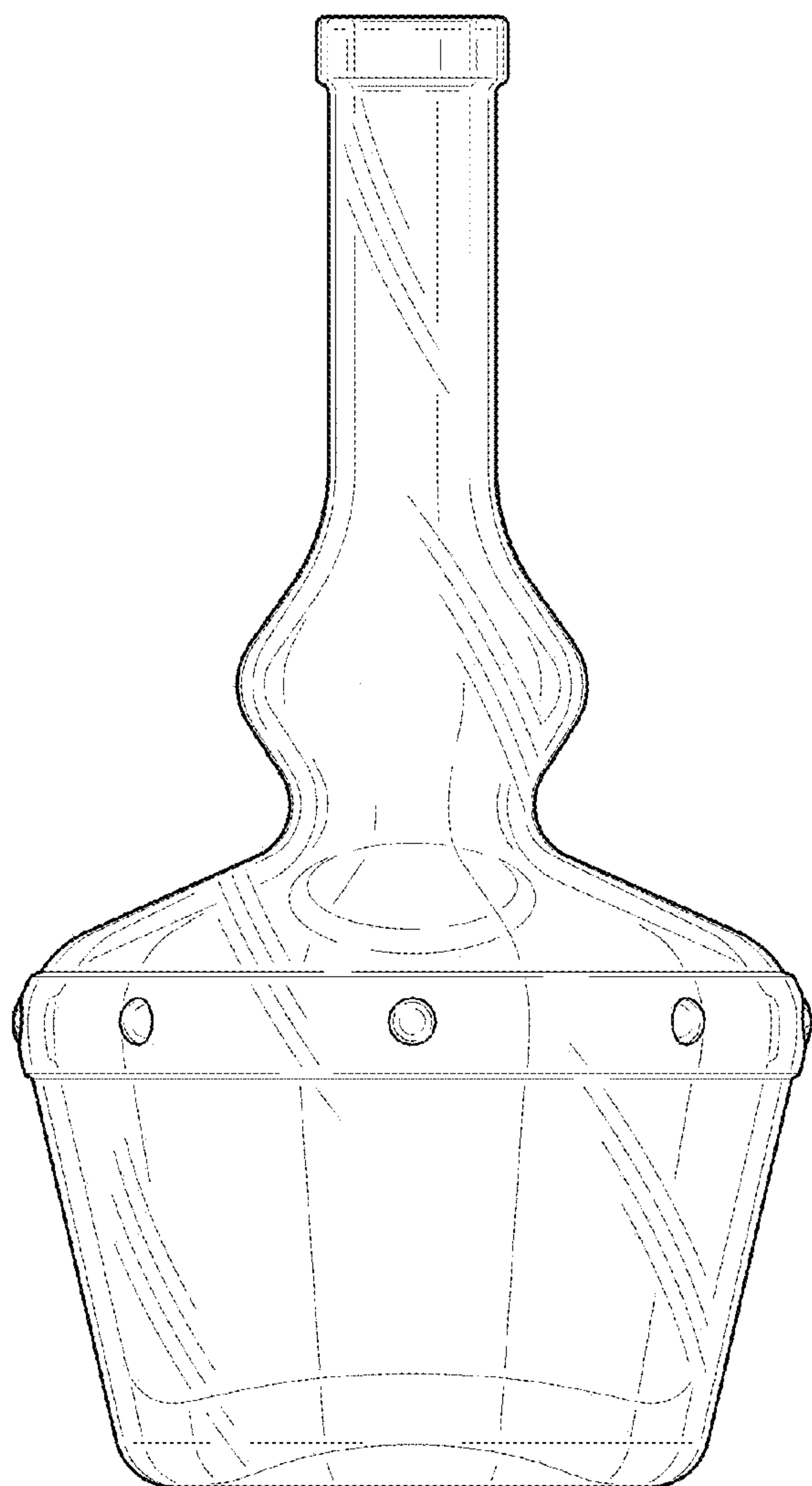




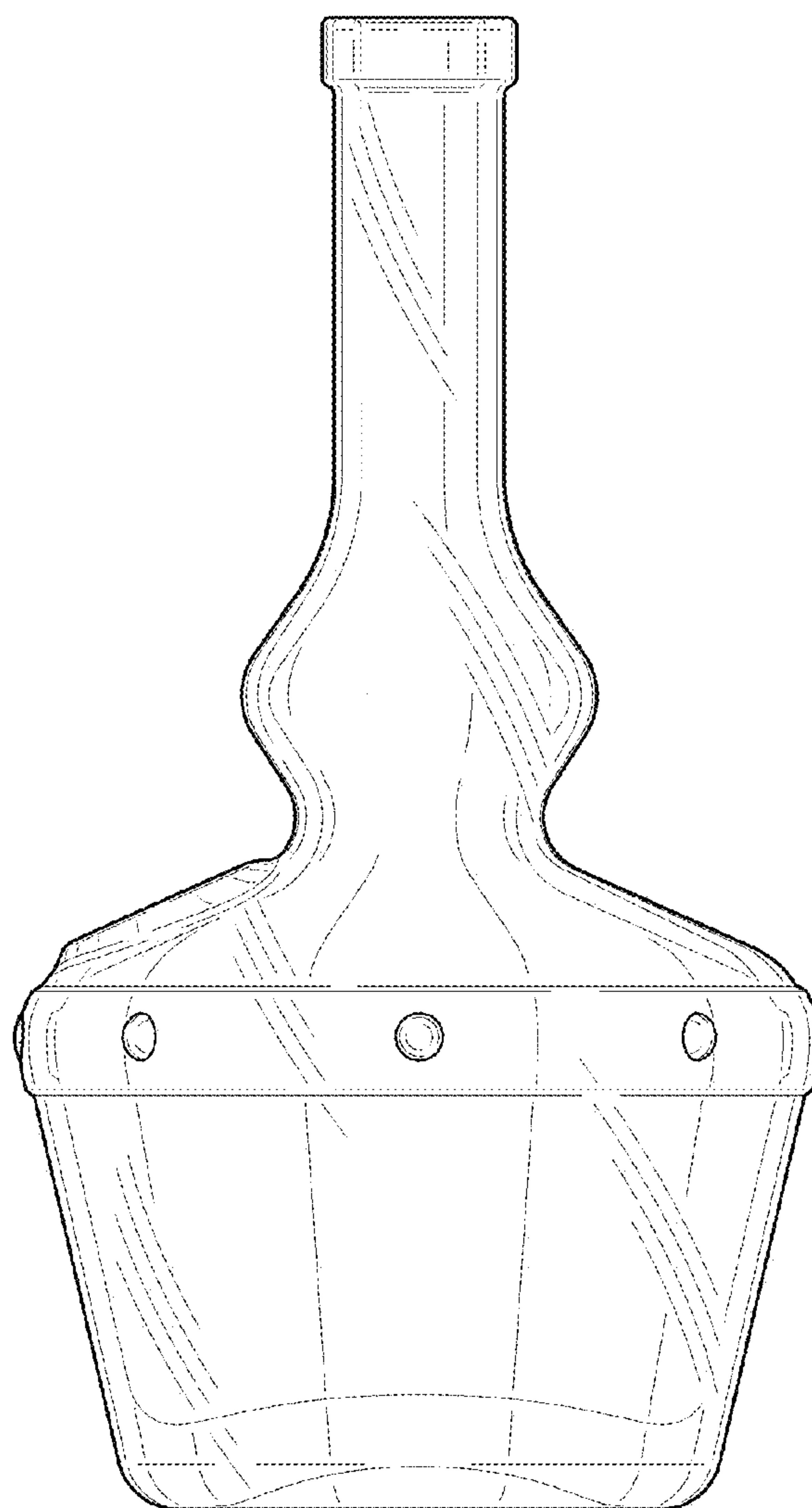
**FIG. 1**



**FIG. 2**



**FIG. 3**



**FIG. 4**



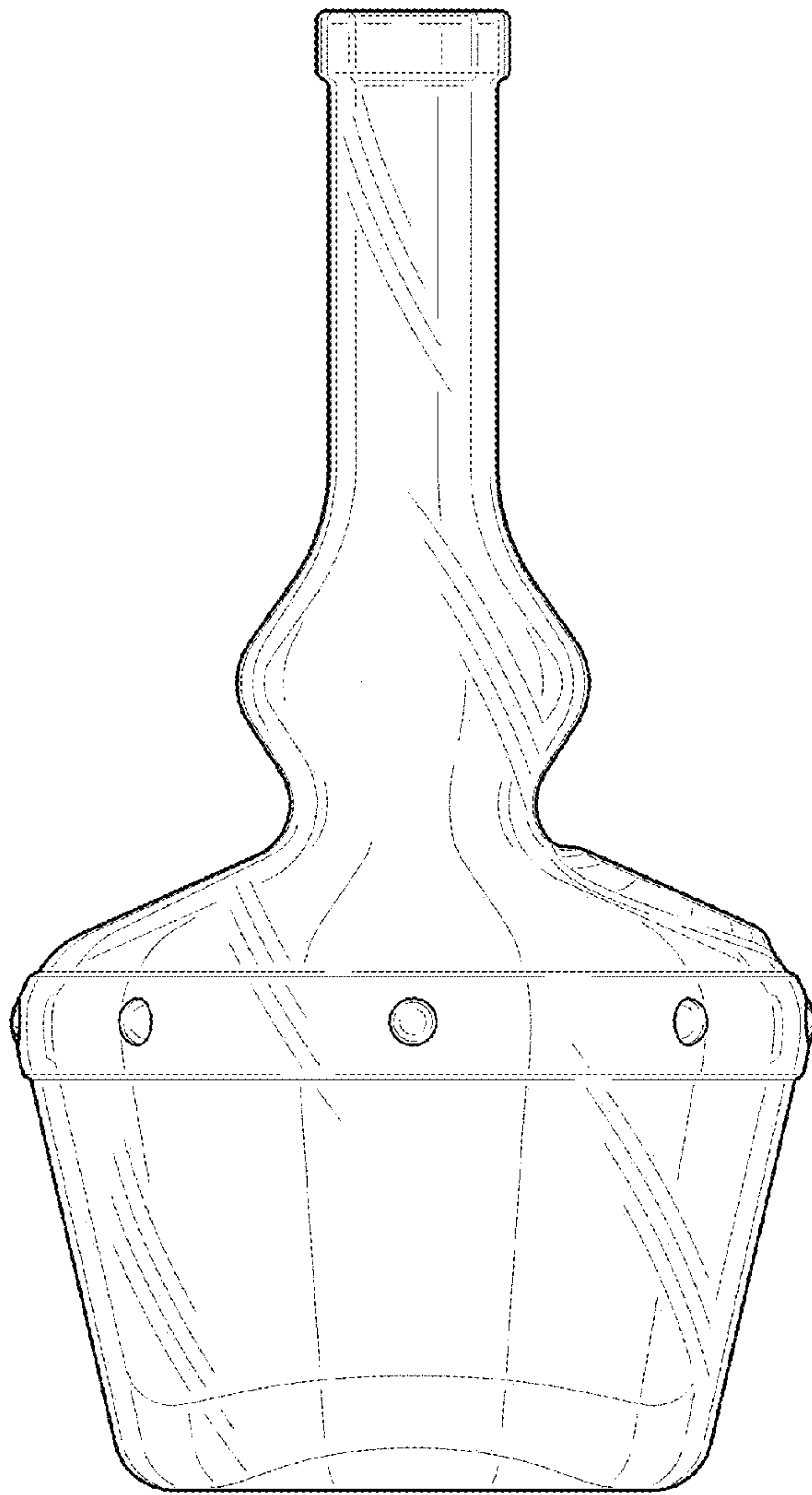


FIG. 5

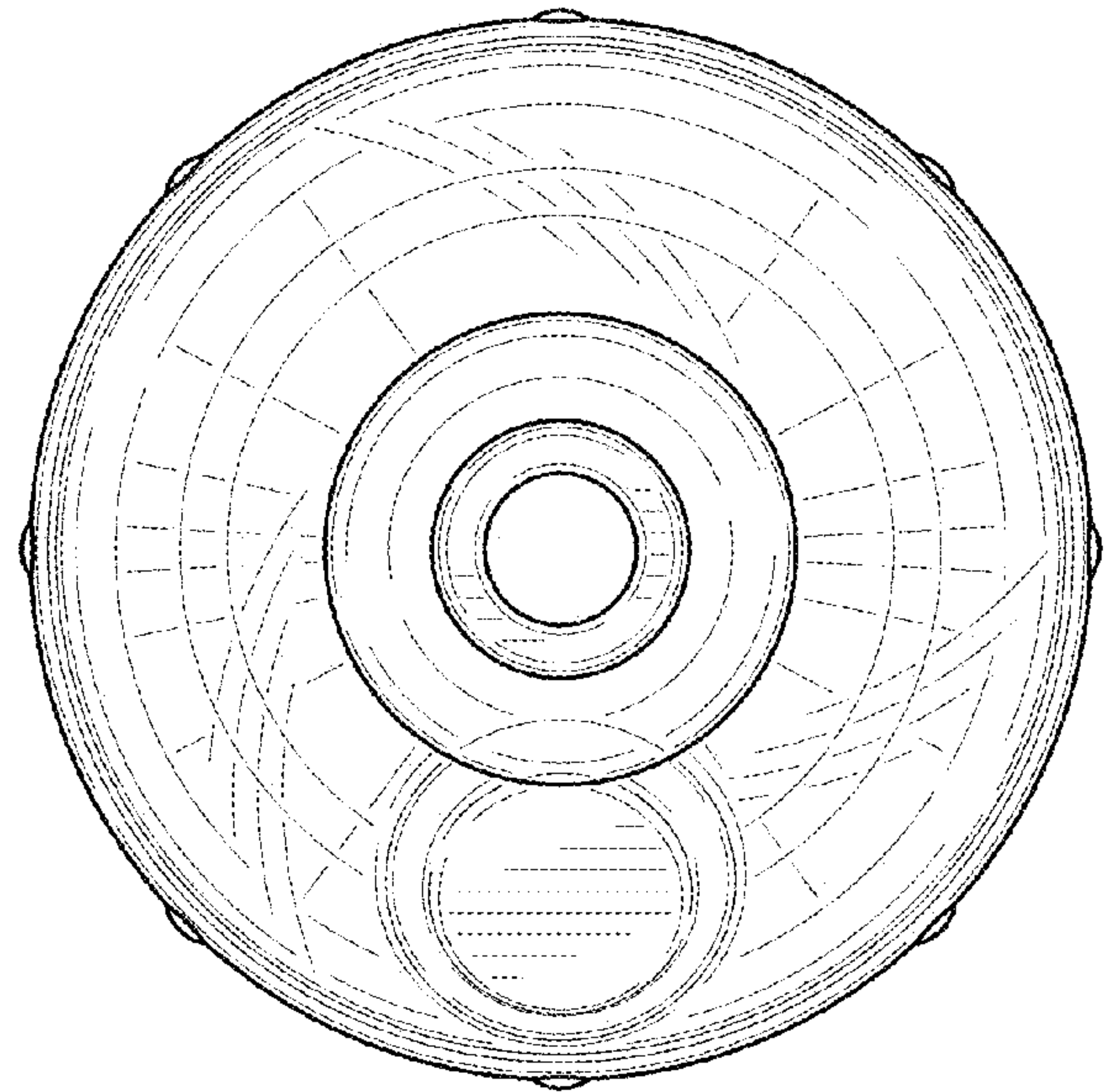


FIG. 6

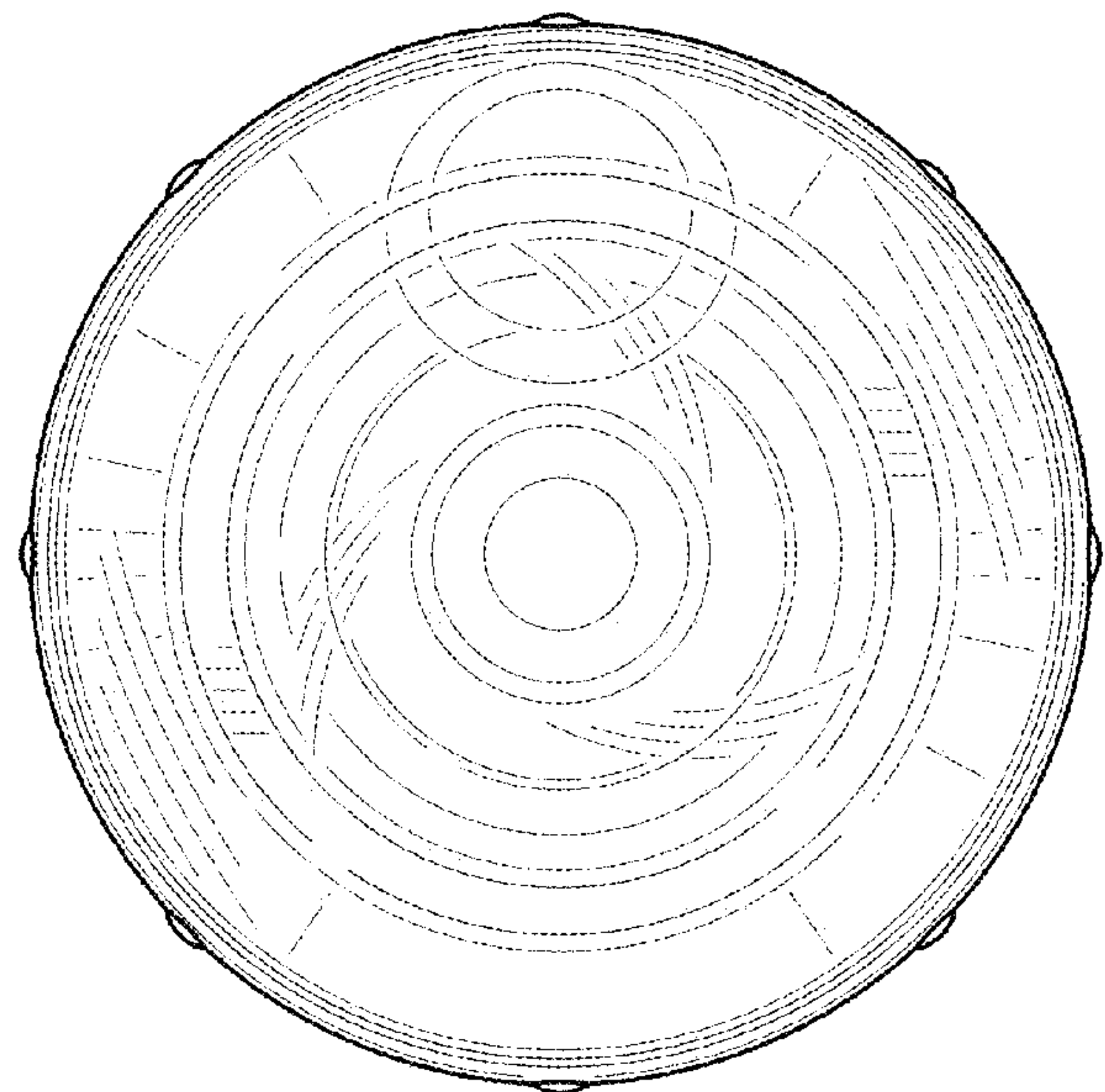


FIG. 7