



US00D945880S

(12) **United States Design Patent**
Cornehl et al.

(10) **Patent No.:** **US D945,880 S**

(45) **Date of Patent:** **** *Mar. 15, 2022**

(54) **BOTTLE**

(71) Applicant: **By Quest LLC**, Union, NJ (US)

(72) Inventors: **Ingrid Cornehl**, Morristown, NJ (US);
Sallie Reynolds Allen, Charleston, SC (US)

(73) Assignee: **By Quest LLC**, Union, NJ (US)

(*) Notice: This patent is subject to a terminal disclaimer.

(**) Term: **15 Years**

(21) Appl. No.: **29/773,742**

(22) Filed: **Mar. 11, 2021**

Related U.S. Application Data

(62) Division of application No. 29/716,762, filed on Dec. 11, 2019, now Pat. No. Des. 934,078.

(51) **LOC (13) Cl.** **09-01**

(52) **U.S. Cl.**
USPC **D9/516; D9/500**

(58) **Field of Classification Search**
USPC D9/428, 454, 500-505, 516, 529, 537,
D9/545, 549, 551, 573-575, 688, 738,
D9/767, 772, 538, 539, 540, 552, 560,
D9/544, 553, 628; D28/4, 8, 76, 78, 79,
D28/82, 91; D26/6, 22; D7/316, 598,
D7/603, 629, 597, 608

CPC B65D 7/04; B65D 1/165; B65D 45/24;
B65D 1/0246; B65D 1/0207; Y10S
220/906; B21D 51/2615; A47G 19/2255

See application file for complete search history.

(56) **References Cited**

U.S. PATENT DOCUMENTS

D9,417 S 8/1876 Fetters
D19,726 S 3/1890 Stent

D21,509 S 4/1892 Oberfelder
D24,464 S 7/1895 De Witt
D25,048 S 1/1896 Sherwood
D25,402 S 4/1896 Nelson
D27,320 S 7/1897 Murphy
1,647,175 A 11/1927 Grunberg
D76,129 S 8/1928 Edwards
D80,709 S 3/1930 Teague
D86,629 S 3/1932 Nitardy

(Continued)

FOREIGN PATENT DOCUMENTS

CN 3512063 3/2006
CN 3516409 4/2006

(Continued)

OTHER PUBLICATIONS

Notice of Allowance dated Mar. 19, 2021, issued in connection with U.S. Appl. No. 29/716,762 (5 pages).

(Continued)

Primary Examiner — Brett Miller

Assistant Examiner — Rani J Abdallah

(74) *Attorney, Agent, or Firm* — McCarter & English, LLP

(57) **CLAIM**

The ornamental design for a bottle, as shown and described.

DESCRIPTION

FIG. 1 is a perspective view of a bottle showing our new design;

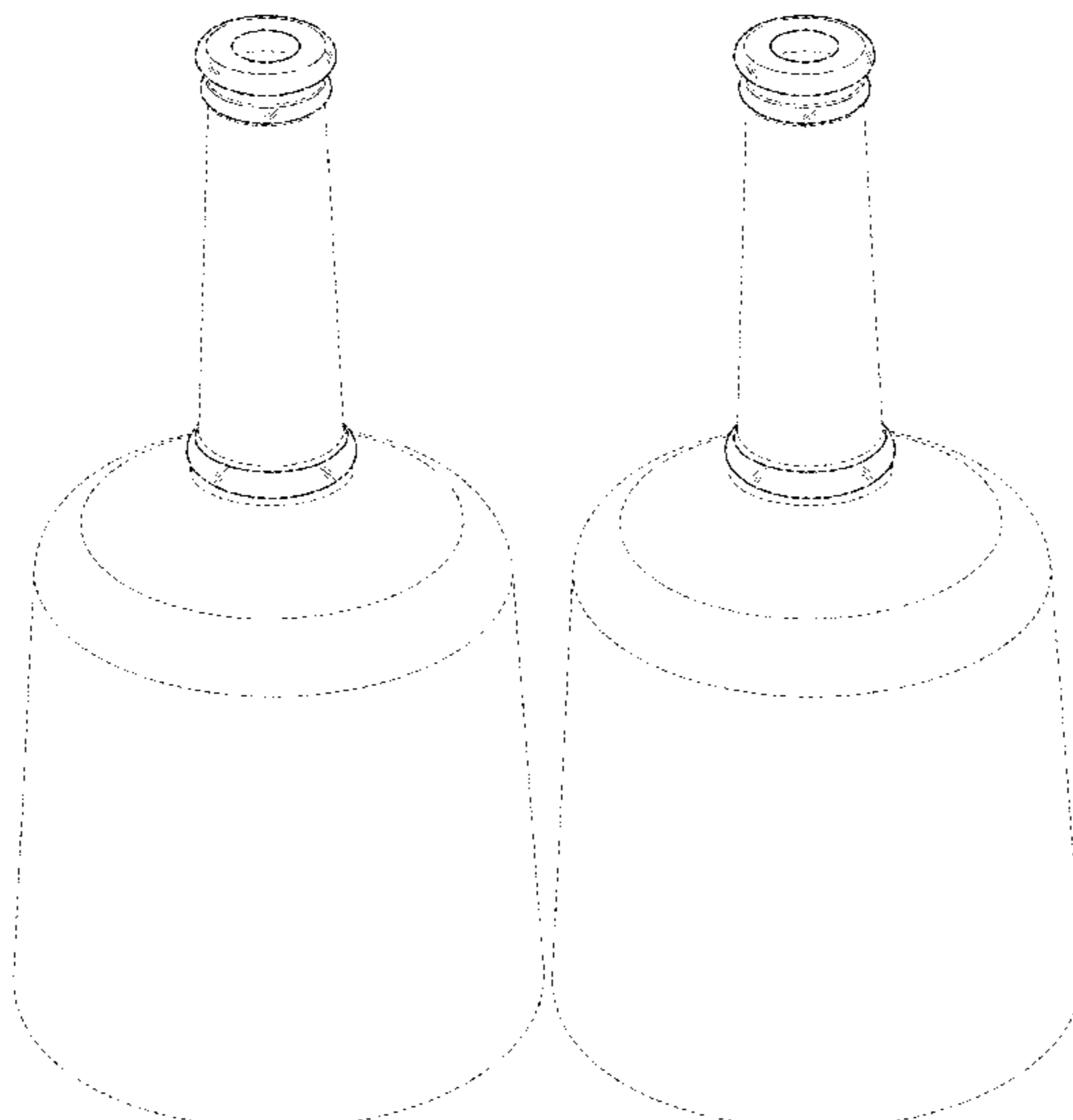
FIG. 2 is a front view thereof, the rear, right side and left side views being substantially identical;

FIG. 3 is a top view thereof; and,

FIG. 4 is a bottom view thereof.

The broken lines in FIGS. 1-4 are included for the purpose of illustrating environment and form no part of the claimed design.

1 Claim, 3 Drawing Sheets



(56)

References Cited

U.S. PATENT DOCUMENTS

D86,680 S	4/1932	Mas	D679,600 S	4/2013	Gonzalez Rodriguez	
D95,260 S	4/1935	Key	D687,312 S *	8/2013	Biscardo	D9/500
D96,267 S	7/1935	Meyer	D688,948 S	9/2013	Gonzalez Rodriguez	
D97,178 S	10/1935	Clevenger	D689,332 S	9/2013	Krasner	
D99,434 S	4/1936	Furest	D691,475 S	10/2013	Potts	
D100,230 S	6/1936	Steelman	D696,116 S	12/2013	Jacober et al.	
D103,911 S	3/1937	Knox	D696,945 S	1/2014	Newman	
D105,540 S	8/1937	Smith	D697,417 S	1/2014	Maczassek	
D109,512 S *	5/1938	Fuerst	D697,423 S	1/2014	Infahsaeng	
D158,365 S	5/1950	Fantel	D698,256 S *	1/2014	Thompson	D9/574
D172,090 S	5/1954	Du Pree	D698,647 S	2/2014	Maillet et al.	
D172,691 S	7/1954	Slavin	D698,648 S	2/2014	Letamendi	
D225,973 S	1/1973	Seteraklan	D705,073 S	5/2014	Pluta	
D229,482 S	12/1973	Suhard	D706,634 S *	6/2014	Herman	D9/500
D233,982 S	12/1974	De Graw	D707,126 S	6/2014	Pizzolo	
D234,291 S	2/1975	Broadhead	D719,030 S	12/2014	Perez-Cabrera	
D237,778 S	11/1975	Lorgues	D723,923 S *	3/2015	Smith	D9/500
D241,012 S	8/1976	Muller y de Abadal	D723,924 S *	3/2015	Laib	D9/500
D241,916 S *	10/1976	Barcelo de Terres	D725,471 S	3/2015	Jacober et al.	
D249,462 S	9/1978	Schwartz et al.	D725,472 S	3/2015	Jacober et al.	
D253,038 S	10/1979	Plummer	D731,318 S	6/2015	Monaghan et al.	
D253,454 S	11/1979	Earle	D732,961 S	6/2015	Neave	
D257,579 S	12/1980	Hayes	D739,731 S	9/2015	Jones	
D260,611 S	9/1981	Balcells	D739,732 S	9/2015	Jones	
D264,937 S	6/1982	Groark	D741,719 S	10/2015	Reynolds	
D265,382 S	7/1982	Jonsson	D743,259 S	11/2015	Delacourt et al.	
D279,547 S	7/1985	Tobias	D752,447 S	3/2016	Reynolds	
D326,812 S	6/1992	Noakes et al.	D761,655 S	7/2016	Chung	
D330,861 S	11/1992	Lower	D765,509 S *	9/2016	Laib	D9/500
D339,517 S	9/1993	Jobit	D765,510 S *	9/2016	Laib	D9/500
D379,765 S	6/1997	Hencher	D766,092 S	9/2016	Maillet et al.	
D384,887 S	10/1997	Rafflin	D782,321 S	3/2017	Ihorovych	
D414,238 S *	9/1999	Kupperman	D786,076 S *	5/2017	Redondo	D9/500
D434,661 S	12/2000	Zambrano V.	D786,687 S	5/2017	Cooper	
D434,662 S	12/2000	Colonna	D787,332 S	5/2017	Peneda	
D450,597 S	11/2001	Bobchenok et al.	D790,279 S	6/2017	Izen et al.	
D452,648 S	1/2002	Jakubiuk	D792,231 S	7/2017	Thompson	
D456,271 S	4/2002	Maloney	D799,323 S	10/2017	Verde	
D476,571 S	7/2003	Lince	D799,968 S	10/2017	Harris	
D477,533 S	7/2003	Kornick et al.	D799,969 S	10/2017	Harris	
D477,534 S	7/2003	Kornick et al.	D800,559 S	10/2017	Gonzalez Rodriguez	
D483,264 S	12/2003	Canepa	D804,309 S	12/2017	Hines	
D484,415 S	12/2003	Hadtke et al.	D807,177 S	1/2018	Belinsky et al.	
D497,310 S	10/2004	Kratko	D813,675 S *	3/2018	Matauch	D9/500
D514,448 S	2/2006	Kuzma et al.	D813,677 S *	3/2018	Pelkey	D9/500
D526,569 S	8/2006	Wurster et al.	D815,527 S *	4/2018	Harris	D9/500
D530,207 S	10/2006	Brandt et al.	D815,530 S *	4/2018	Paredes	D9/500
D546,183 S	7/2007	Clutter	D815,541 S	4/2018	Harris et al.	
D584,634 S	1/2009	Perez et al.	D815,543 S *	4/2018	Mazzer	D9/537
D585,755 S	2/2009	Dodge et al.	D815,946 S	4/2018	Thompson et al.	
D590,721 S	4/2009	Martinez De San Vicente	D824,764 S *	8/2018	Miller	D9/500
D591,159 S	4/2009	Pagliario	D829,101 S	9/2018	Spivey et al.	
D595,134 S	6/2009	Rica	D830,826 S *	10/2018	Bae	D9/445
D597,413 S	8/2009	Teuscher	D837,657 S *	1/2019	Jerez Quintana	D9/545
D606,408 S *	12/2009	Kulsveen	D845,138 S	4/2019	Atkins	
D622,600 S	8/2010	Bradfield et al.	D847,636 S *	5/2019	Harris	D9/500
D623,534 S *	9/2010	Shearsby	D847,646 S *	5/2019	Harris	D9/516
D626,419 S	11/2010	Adamson	D847,648 S *	5/2019	Birkhoff	D9/516
D635,857 S	4/2011	Lauret	D847,649 S *	5/2019	Harris	D9/516
D636,677 S	4/2011	Diez et al.	D850,266 S *	6/2019	Harris	D9/516
D652,301 S	1/2012	Pelkey	D873,665 S	1/2020	Yen	
D653,117 S	1/2012	Murphy	D878,572 S	3/2020	Davis et al.	
D653,551 S	2/2012	Murphy	D882,406 S	4/2020	Bulfoni	
D653,558 S *	2/2012	Kania	D883,089 S	5/2020	Welch	
D654,794 S	2/2012	Morais et al.	D883,090 S	5/2020	Feletto	
D655,172 S	3/2012	Brooks et al.	D885,194 S	5/2020	Bottega	
D655,177 S	3/2012	Gonzalez Rodriguez	D891,254 S	7/2020	Cornehl et al.	
D657,245 S *	4/2012	Delbon	D892,618 S	8/2020	Feletto	
D658,995 S *	5/2012	Potts	D893,309 S	8/2020	Van Skaik et al.	
D658,997 S	5/2012	Potts	D898,574 S	10/2020	Lauret	
D661,587 S *	6/2012	Rodriguez	D900,617 S	11/2020	Repellin	
D669,355 S	10/2012	Gonzalez Rodriguez	D903,497 S	12/2020	Cornehl et al.	
D669,356 S *	10/2012	Jacober	D906,817 S	1/2021	Abercrombie et al.	
D673,854 S *	1/2013	James	D910,447 S	2/2021	Feletto	
D678,068 S	3/2013	Huang	D912,519 S	3/2021	Cornehl et al.	

(56)

References Cited

U.S. PATENT DOCUMENTS

D918,051 S 5/2021 Sanghavi
2016/0214764 A1 7/2016 Cukman et al.

FOREIGN PATENT DOCUMENTS

CN 3590291 12/2006
CN 302708339 1/2014
CN 304897463 11/2018

OTHER PUBLICATIONS

Office Action dated Feb. 12, 2021, issued in connection with U.S. Appl. No. 29/716,762 (9 pages).
Notice of Allowance dated Mar. 18, 2021, issued in connection with U.S. Appl. No. 29/716,760 (5 pages).
Office Action dated Feb. 12, 2021, issued in connection with U.S. Appl. No. 29/716,760 (10 pages).
Notice of Allowance dated Apr. 9, 2020, issued in connection with U.S. Appl. No. 29/716,759 (11 pages).
Office Action dated Jul. 9, 2020, issued in connection with U.S. Appl. No. 29/737,750 (6 pages).

Notice of Allowance dated Jul. 28, 2020, issued in connection with U.S. Appl. No. 29/737,754 (9 pages).
Notice of Allowance dated Nov. 25, 2020, issued in connection with U.S. Appl. No. 29/737,750 (8 pages).
Office Action dated Feb. 25, 2021, issued in connection with U.S. Appl. No. 29/716,761 (13 pages).
Office Action dated Jul. 2, 2021, issued in connection with U.S. Appl. No. 29/773,736 (10 pages).
Office Action dated Jul. 2, 2021, issued in connection with U.S. Appl. No. 29/773,750 (8 pages).
Office Action dated Jul. 2, 2021, issued in connection with U.S. Appl. No. 29/773,747 (9 pages).
Office Action dated Jul. 2, 2021, issued in connection with U.S. Appl. No. 29/773,709 (10 pages).
Office Action dated Jul. 2, 2021, issued in connection with U.S. Appl. No. 29/773,708 (10 pages).
Notice of Allowance dated Jul. 9, 2021, issued in connection with U.S. Appl. No. 29/716,762 (5 pages).
Notice of Allowance dated Jul. 8, 2021, issued in connection with U.S. Appl. No. 29/716,760 (5 pages).
Office Action dated Dec. 3, 2021, issued in connection with U.S. Appl. No. 29/773,709 (6 pages).

* cited by examiner

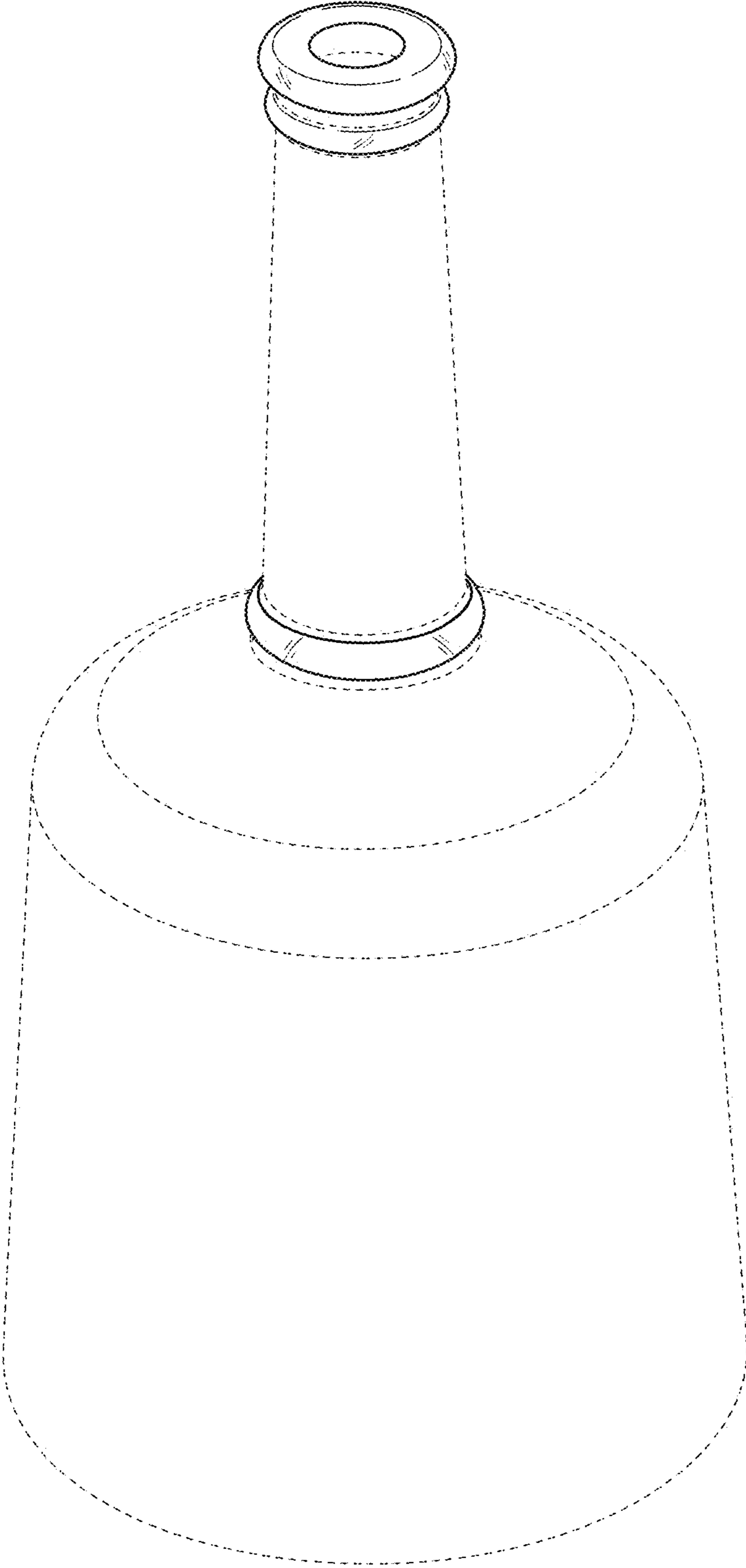


FIG. 1

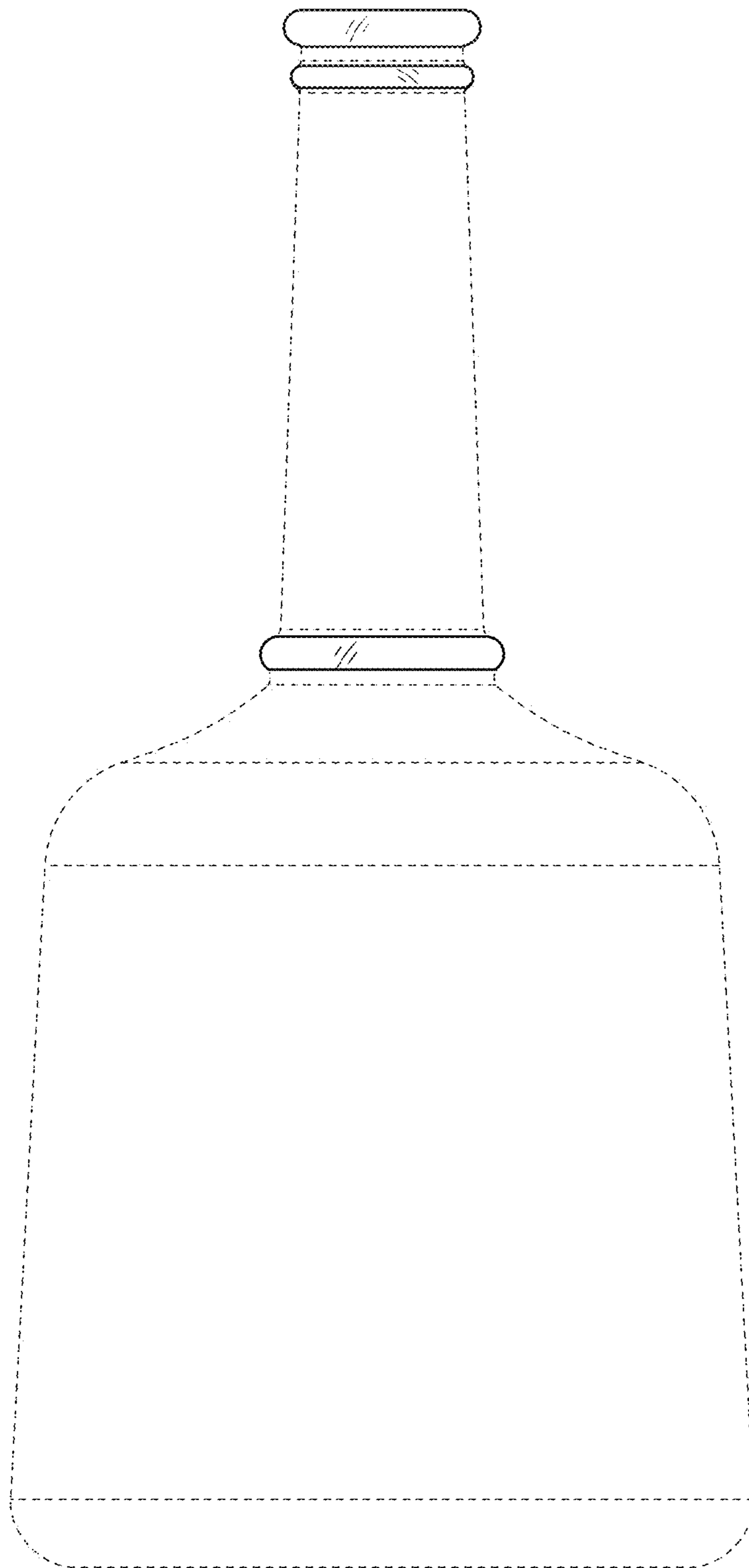


FIG. 2

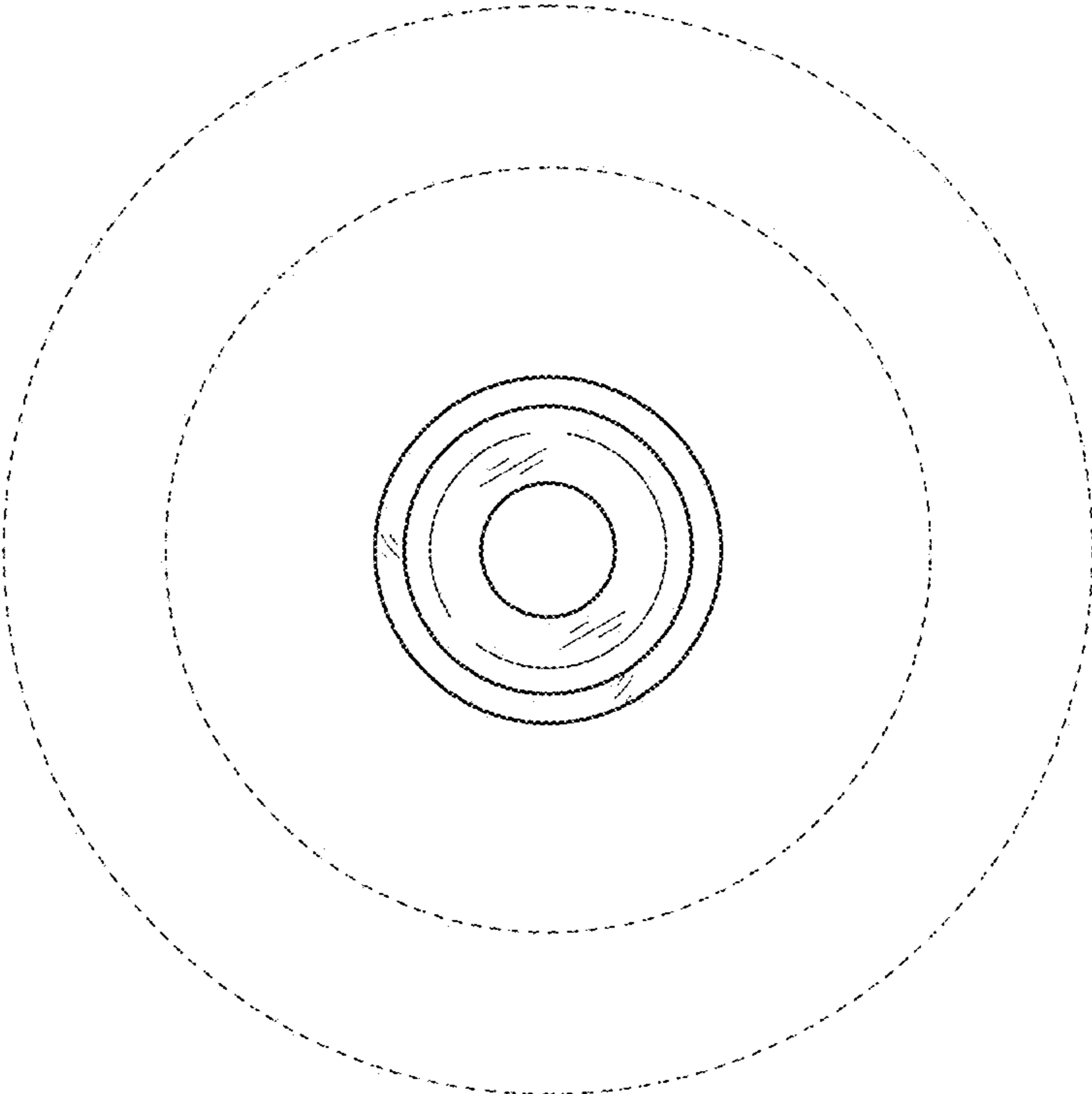


FIG. 3

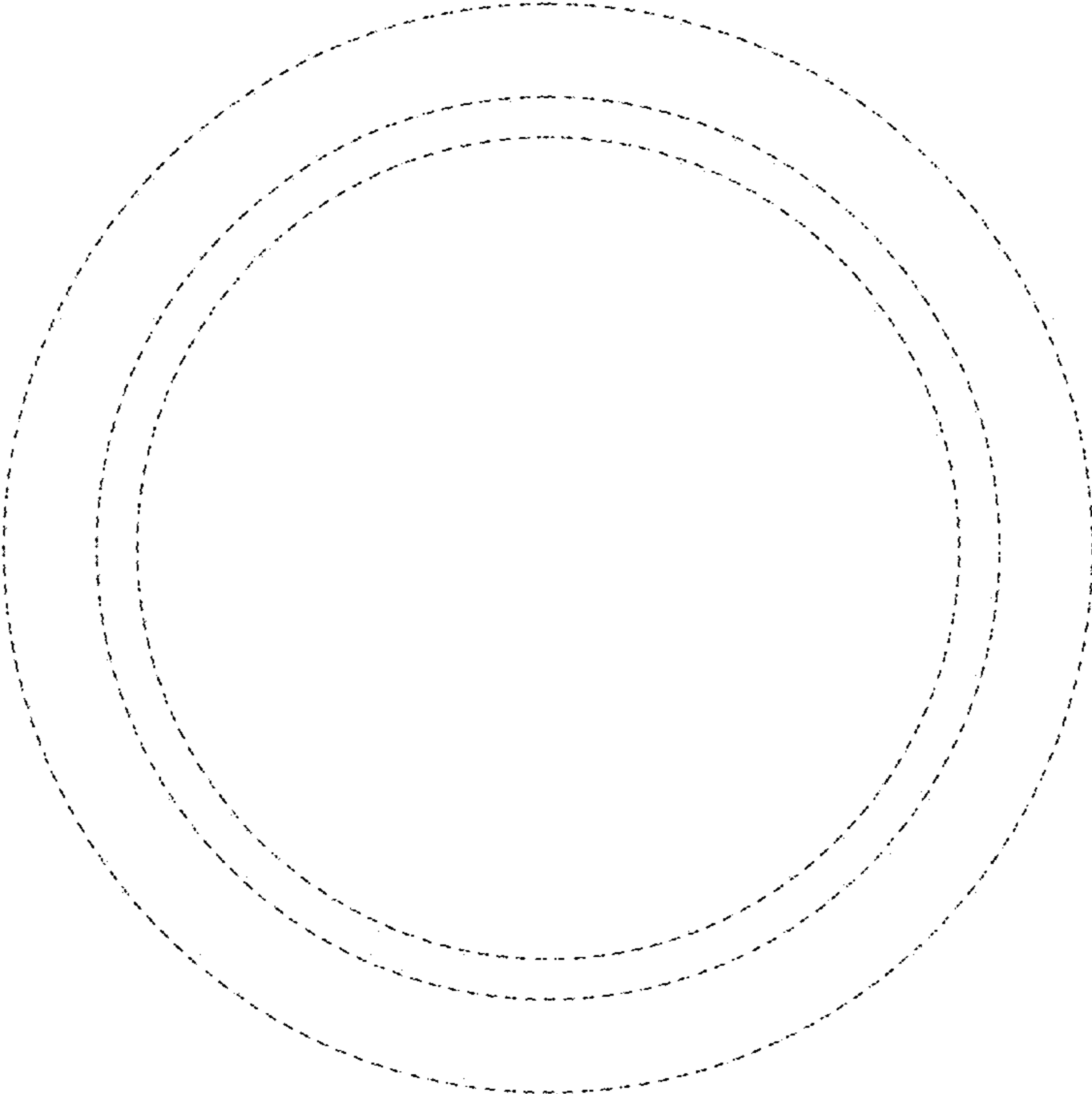


FIG. 4