



US00D945879S

(12) **United States Design Patent**
Huggins

(10) **Patent No.:** **US D945,879 S**
(45) **Date of Patent:** **** Mar. 15, 2022**

(54) **PRODUCT PACKAGE FOR ABSORBENT ARTICLES**

(71) Applicant: **The Procter & Gamble Company,**
Cincinnati, OH (US)

(72) Inventor: **Tracy Huggins,** Ft. Wright, KY (US)

(73) Assignee: **The Procter & Gamble Company,**
Cincinnati, OH (US)

(**) Term: **15 Years**

(21) Appl. No.: **29/757,375**

(22) Filed: **Nov. 5, 2020**

Related U.S. Application Data

(62) Division of application No. 29/673,595, filed on Dec. 17, 2018, which is a division of application No. (Continued)

(51) **LOC (13) Cl.** **09-03**

(52) **U.S. Cl.**
USPC **D9/432; D9/414; D9/434**

(58) **Field of Classification Search**
USPC **D9/499, 414, 424, 432, 457, 434**
(Continued)

(56) **References Cited**

U.S. PATENT DOCUMENTS

D280,734 S 9/1985 Bateman
D357,861 S 5/1995 Sawa et al.

(Continued)

OTHER PUBLICATIONS

Amazon. Always Maxi Size 2 Feminine Pads with Wings, Super Absorbency, Unscented, 42 Count (Packaging May Vary). Oct. 24, 2016. <https://www.amazon.com/Always-Feminine-Absorbency-Unscented-Packaging/dp/B01MQ0G6N5> (Year: 2016).*

(Continued)

Primary Examiner — Darcey E Gottschalk

(74) *Attorney, Agent, or Firm* — Jay A. Krebs; George H. Leal

(57) **CLAIM**

The ornamental design for a product package for absorbent articles, as shown and described.

DESCRIPTION

The file of this patent contains at least one drawing executed in color. Copies of this patent with color drawings will be provided by the Office upon request and payment of the necessary fee.

FIG. 1 is a perspective view of an embodiment showing a front, top, and right side view of a Product Package for Absorbent Articles;

FIG. 2 is a front view of the embodiment of the package shown in FIG. 1;

FIG. 3 is a right side view of the embodiment of the package shown in FIG. 1;

FIG. 4 is a back view of the embodiment of the package shown in FIG. 1;

FIG. 5 is a left side view of the embodiment of the package shown in FIG. 1;

FIG. 6 is a top view of the embodiment of the package shown in FIG. 1; and

FIG. 7 is a bottom view of the embodiment of the package shown in FIG. 1.

FIG. 8 is a perspective view of a embodiment showing a front, top, and right side view of a product package for absorbent articles;

FIG. 9 is a front view of the embodiment of the package shown in FIG. 8;

FIG. 10 is a right side view of the embodiment of the package shown in FIG. 8;

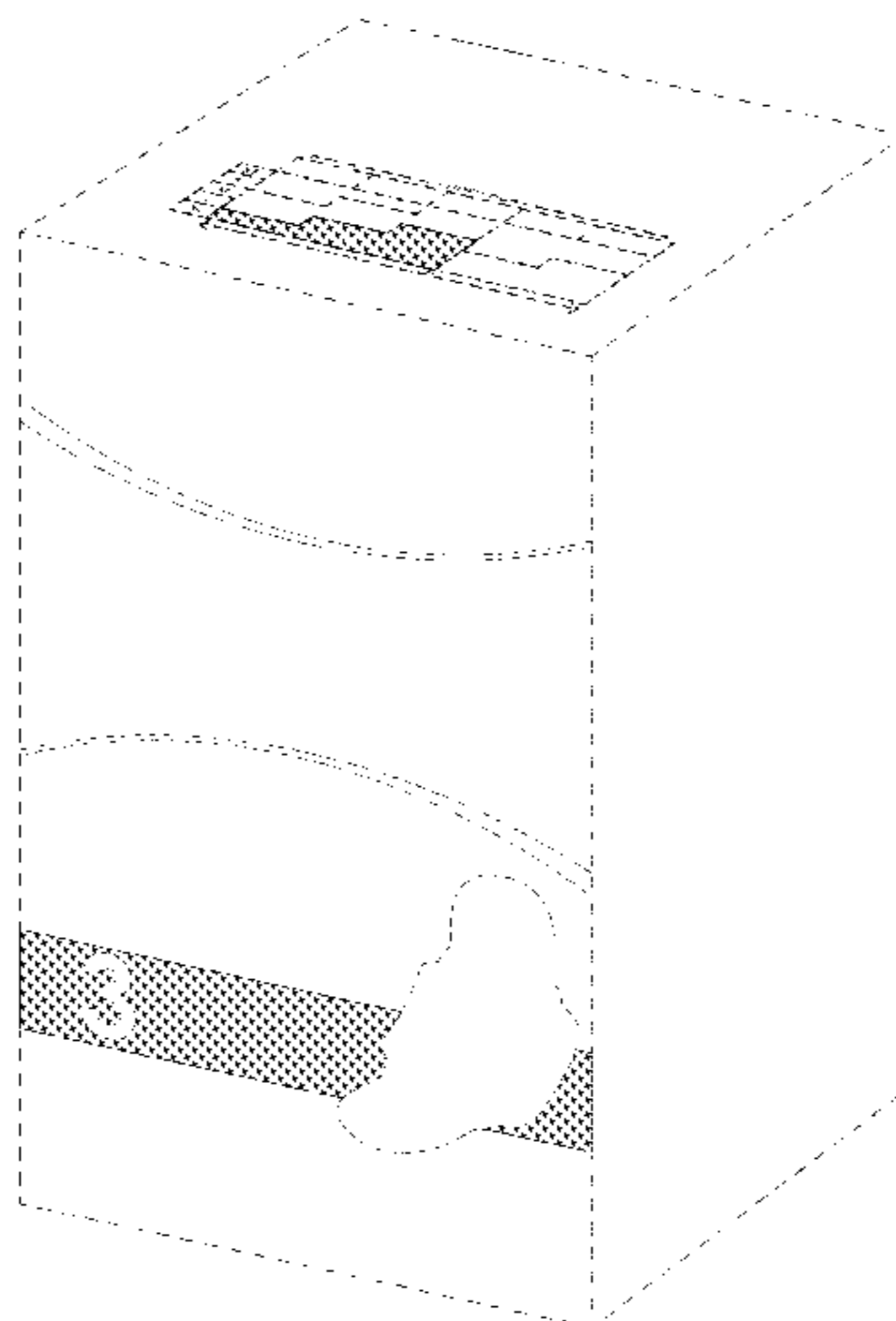
FIG. 11 is a back view of the embodiment of the package shown in FIG. 8;

FIG. 12 is a left side view of the embodiment of the package shown in FIG. 8;

FIG. 13 is a top view of the embodiment of the package shown in FIG. 8; and,

FIG. 14 is a bottom view of the embodiment of the package shown in FIG. 8.

(Continued)



The broken lines in the drawings depict portions of the product package for absorbent articles that form no part of the claimed design.

**1 Claim, 8 Drawing Sheets
(4 of 8 Drawing Sheet(s) Filed in Color)**

Related U.S. Application Data

29/613,432, filed on Aug. 10, 2017, now Pat. No. Des. 842,097.

(58) **Field of Classification Search**

CPC A61F 13/5514; A61F 13/55145; A61F 13/84; G09B 19/0076; B65D 61/26; B65D 5/06; A41B 9/12

See application file for complete search history.

(56) **References Cited**

U.S. PATENT DOCUMENTS

D364,346 S	11/1995	Yamada	
D386,784 S	11/1997	Kunkler	
5,839,585 A	11/1998	Miller	
5,865,322 A	2/1999	Miller	
5,947,302 A	9/1999	Miller	
6,454,095 B1	9/2002	Brisebois et al.	
D472,573 S	4/2003	Hesse, III	
6,604,609 B2	8/2003	Bruce et al.	
D494,326 S	8/2004	Long	
D500,342 S	12/2004	Stewart et al.	
D500,524 S	1/2005	Stewart et al.	
D547,658 S	7/2007	Small et al.	
D548,241 S	8/2007	Viegers	
D590,250 S *	4/2009	Seol	D5/56
D656,817 S *	4/2012	Tucker	D9/434
D684,467 S	6/2013	Macaulay	
D684,468 S	6/2013	Macaulay	
D686,068 S	7/2013	DiFranza	
D686,069 S	7/2013	DiFranza	
D686,492 S	7/2013	Difranza	
D687,298 S *	8/2013	Sams	D9/434
D687,707 S	8/2013	Craig et al.	
D691,880 S *	10/2013	Larson	D9/424
D692,749 S *	11/2013	Larson	D9/424
D695,122 S *	12/2013	Larson	D9/600
8,636,146 B2	1/2014	Coulter et al.	
D706,628 S	6/2014	Palmer et al.	
D710,440 S	8/2014	Reed	
D710,687 S	8/2014	Katopo	
D715,140 S *	10/2014	Markle	D9/434
D724,428 S	3/2015	Difranza	
D741,871 S	10/2015	Chung et al.	
D745,534 S	12/2015	Cho	
D747,726 S	1/2016	Virk et al.	
D748,105 S	1/2016	Virk et al.	
D749,945 S	2/2016	Katopo et al.	
D767,398 S	9/2016	Miyazaki	

D771,746 S	11/2016	Senese	
D774,135 S	12/2016	Daniel	
D780,583 S	3/2017	Kraijer	
D783,397 S	4/2017	Riffe	
D797,759 S	9/2017	Tsujimura et al.	
D798,704 S	10/2017	Hainaut et al.	
D798,886 S	10/2017	Prophete	
D802,415 S	11/2017	Wilcox et al.	
D807,739 S	1/2018	Ito et al.	
D819,060 S	5/2018	Friedman et al.	
D833,866 S *	11/2018	Lihotzky	D9/432
D836,000 S	12/2018	Huggins	
D842,097 S	3/2019	Huggins	
D842,690 S	3/2019	Huggins	
D842,692 S	3/2019	Breen	
D842,693 S *	3/2019	Janes	D9/434
D843,407 S	3/2019	Keys	
D847,260 S	4/2019	Myska	
D849,788 S	5/2019	Turunen	
D851,108 S	6/2019	Yuguchi	
D852,828 S	7/2019	Guesnon, Jr.	
D858,269 S	9/2019	Huggins	
D860,244 S	9/2019	Yoshio	
D874,926 S *	2/2020	Powers	D9/434
D877,169 S	3/2020	Brinker et al.	
D904,187 S *	12/2020	Huggins	D9/434
D907,487 S	1/2021	Huggins	
2004/0122745 A1	6/2004	Hantke et al.	
2006/0293634 A1	12/2006	Thomas et al.	
2008/0110782 A1	5/2008	Burgdorf et al.	
2011/0034897 A1	2/2011	Nomoto et al.	
2015/0232220 A1	8/2015	Keith et al.	
2016/0038353 A1	2/2016	Bonilla et al.	

OTHER PUBLICATIONS

Always. How to Choose a Menstrual Pad. No date specified. <https://always.com/en-us/tips-and-advice/choosing-a-pad/how-to-choose-a-menstrual-pad> Year: 0.

Behance. Packaging Design, She Sanitary Pads. Dec. 23, 2013 (earliest online date), (site visited Jun. 20, 2018). Available from Internet, URL:https://www.behance.net/gallery/13326747/Packaging-Design-She-Sanitary_Pads? (Year 2013).

Not Working Monkey. I wonder about absorbency ranged Sep. 18, 2008. <http://www.nonworkingmonkey.com/2008/09/i-wonder-about-absorbency-ranes.html> Year: 2008.

All Office Actions for U.S. Appl. No. 14/741,500, filed Jun. 17, 2015.

All Office Actions for U.S. Appl. No. 29/613,423, filed Aug. 10, 2017.

All Office Actions for U.S. Appl. No. 29/673,595, filed Dec. 17, 2018.

All Office Actions, U.S. Appl. No. 29/613,425.

All Office Actions, U.S. Appl. No. 29/673,589.

All Office Actions, U.S. Appl. No. 29/757,371.

Tampax, Tampax Pearl Duo-Pack., (site visited Jun. 20, 2018). Available from Internet, URL:<https://tampax.com/en-us-shop-products/pearl/tampax-pearl-duo-pack>. dated Jan. 23, 2010 (earliest online date), pp. 1-4.

* cited by examiner

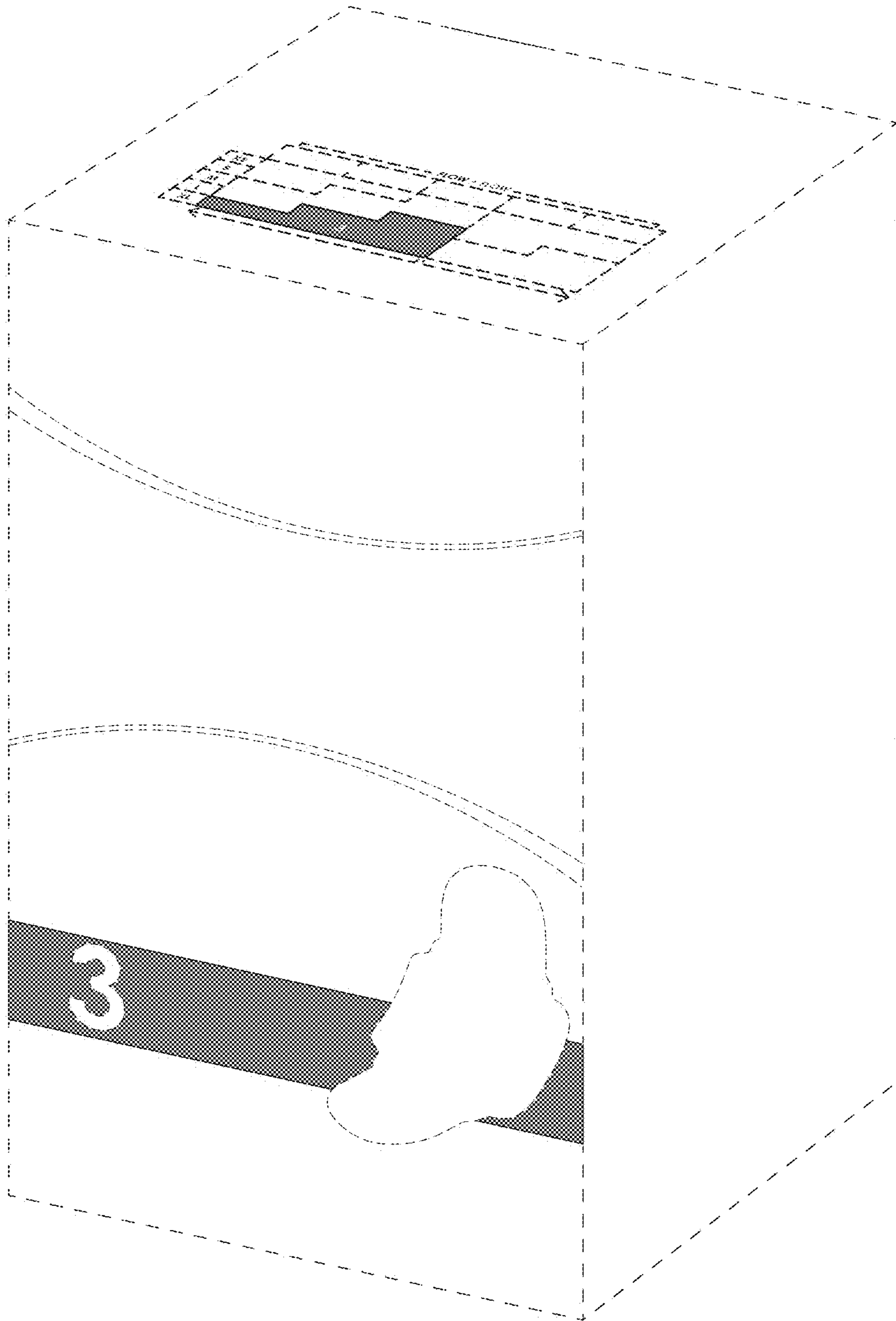


FIG. 1



FIG. 3

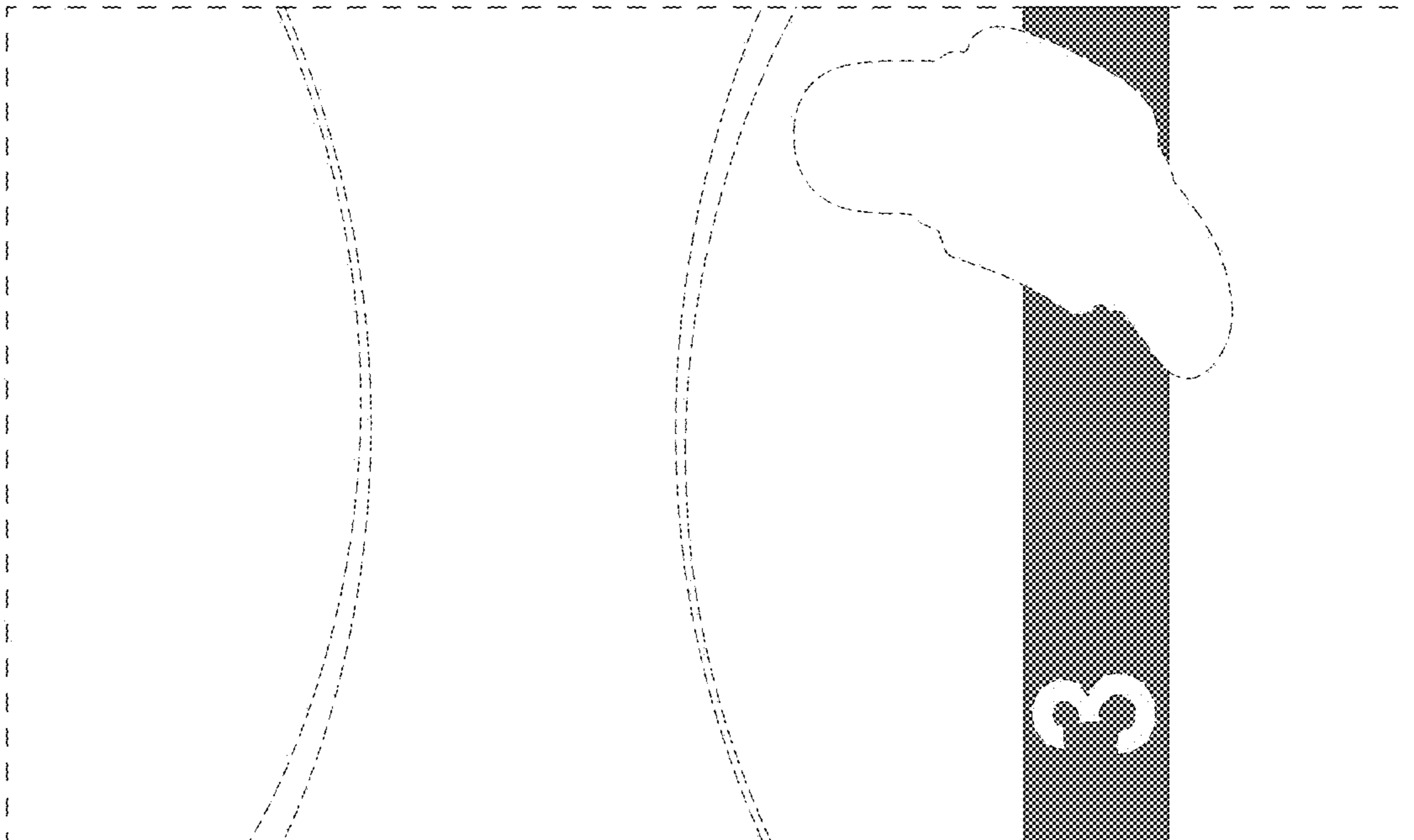


FIG. 2



FIG. 5

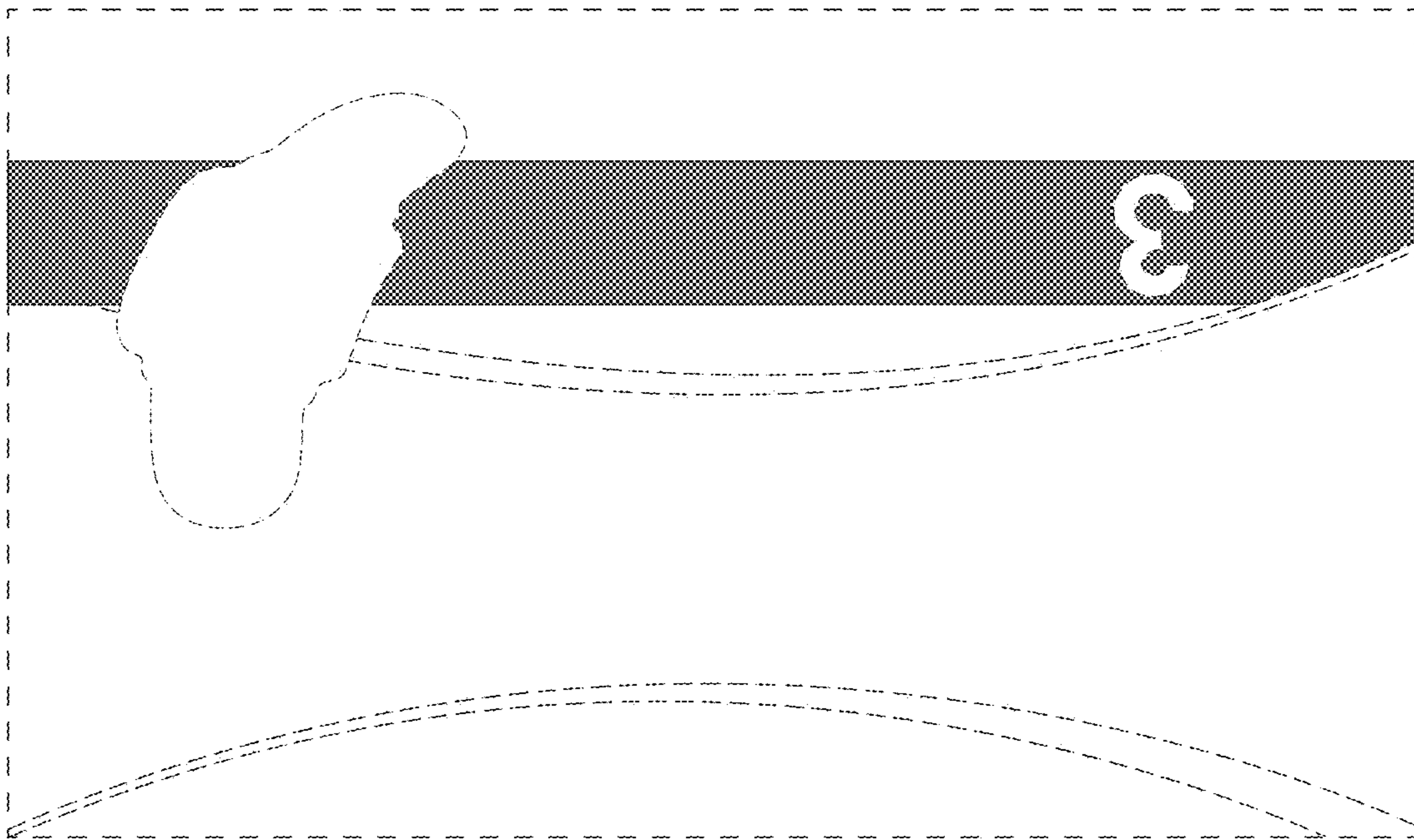


FIG. 4

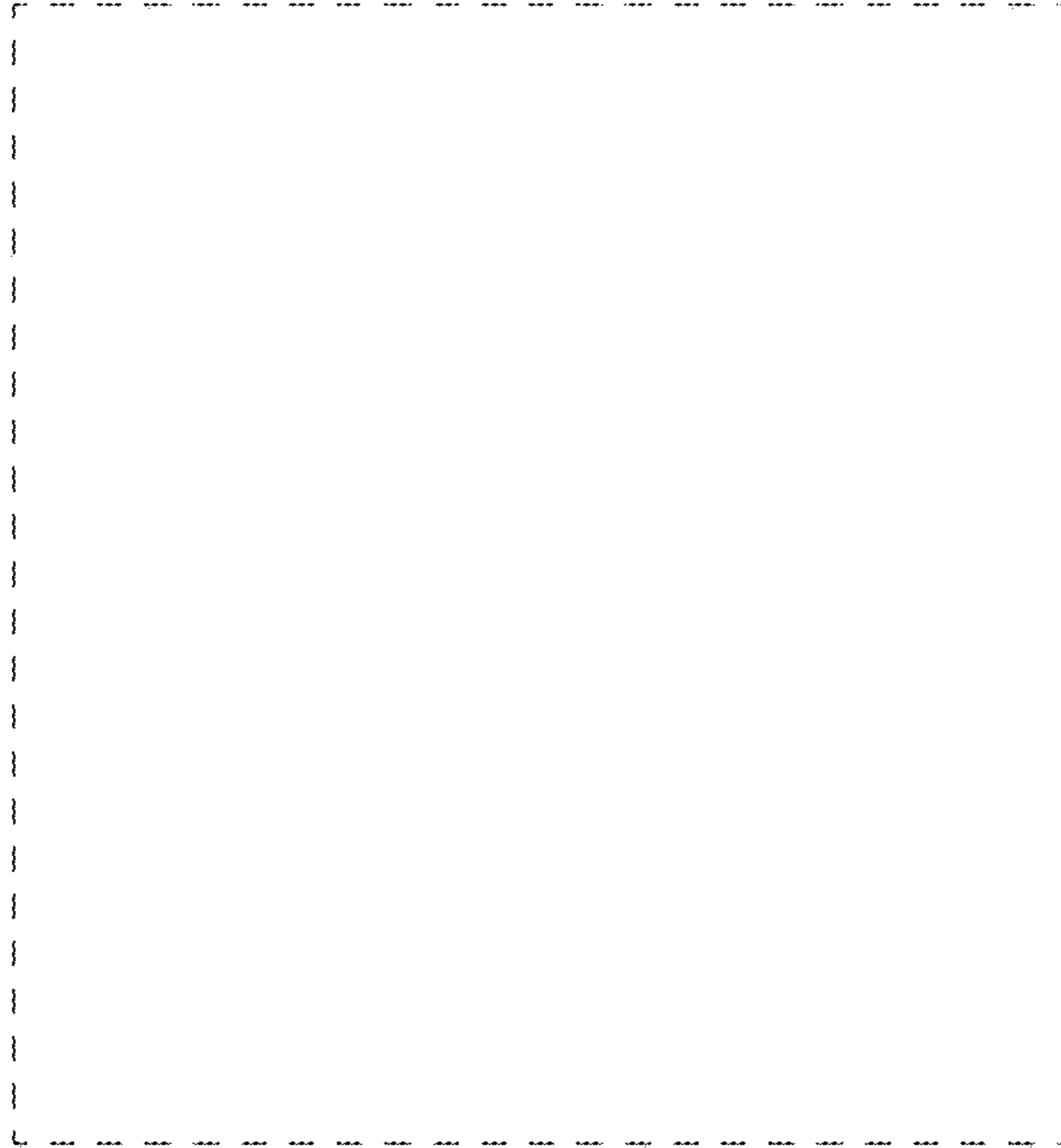


FIG. 7

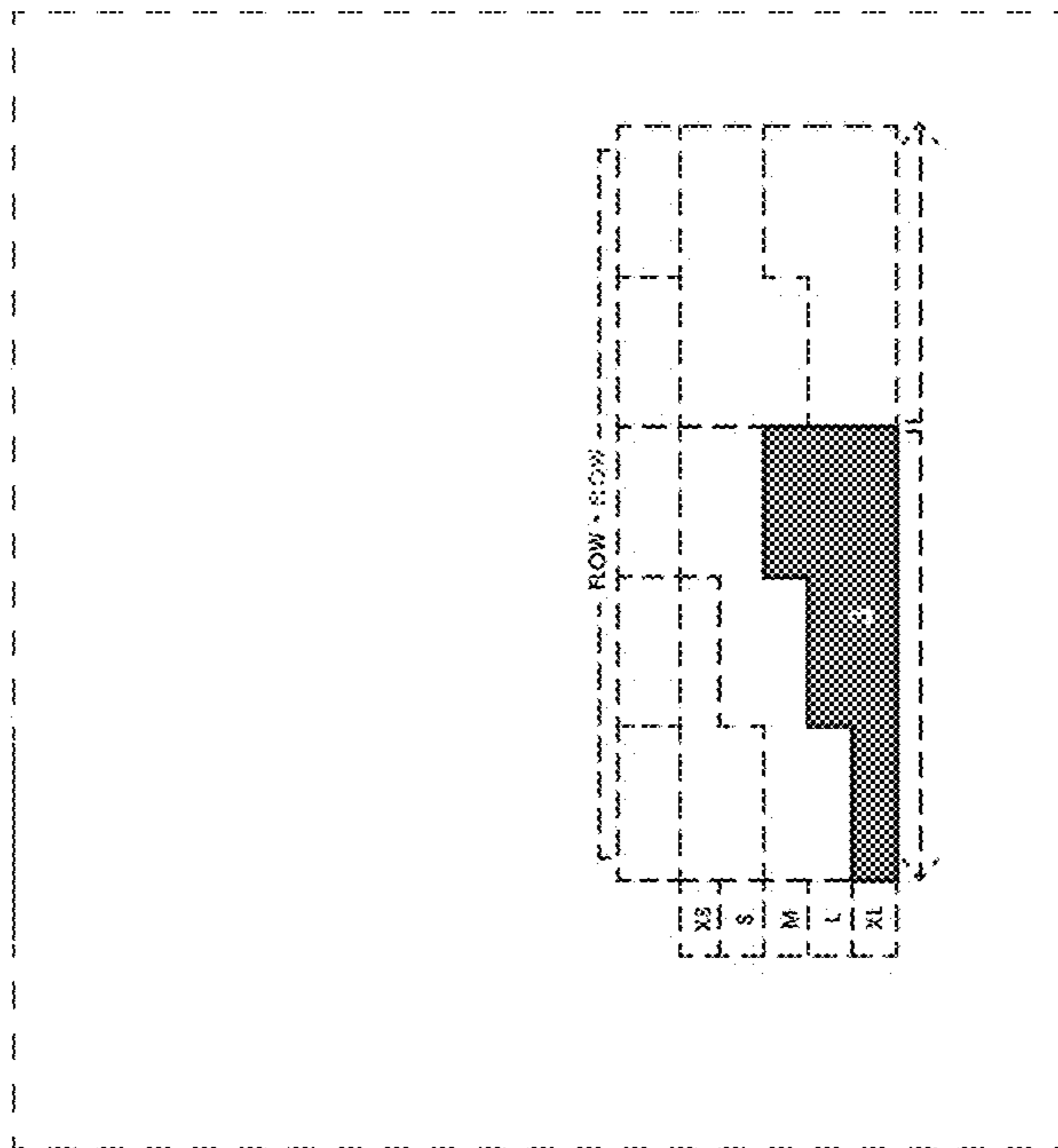


FIG. 6

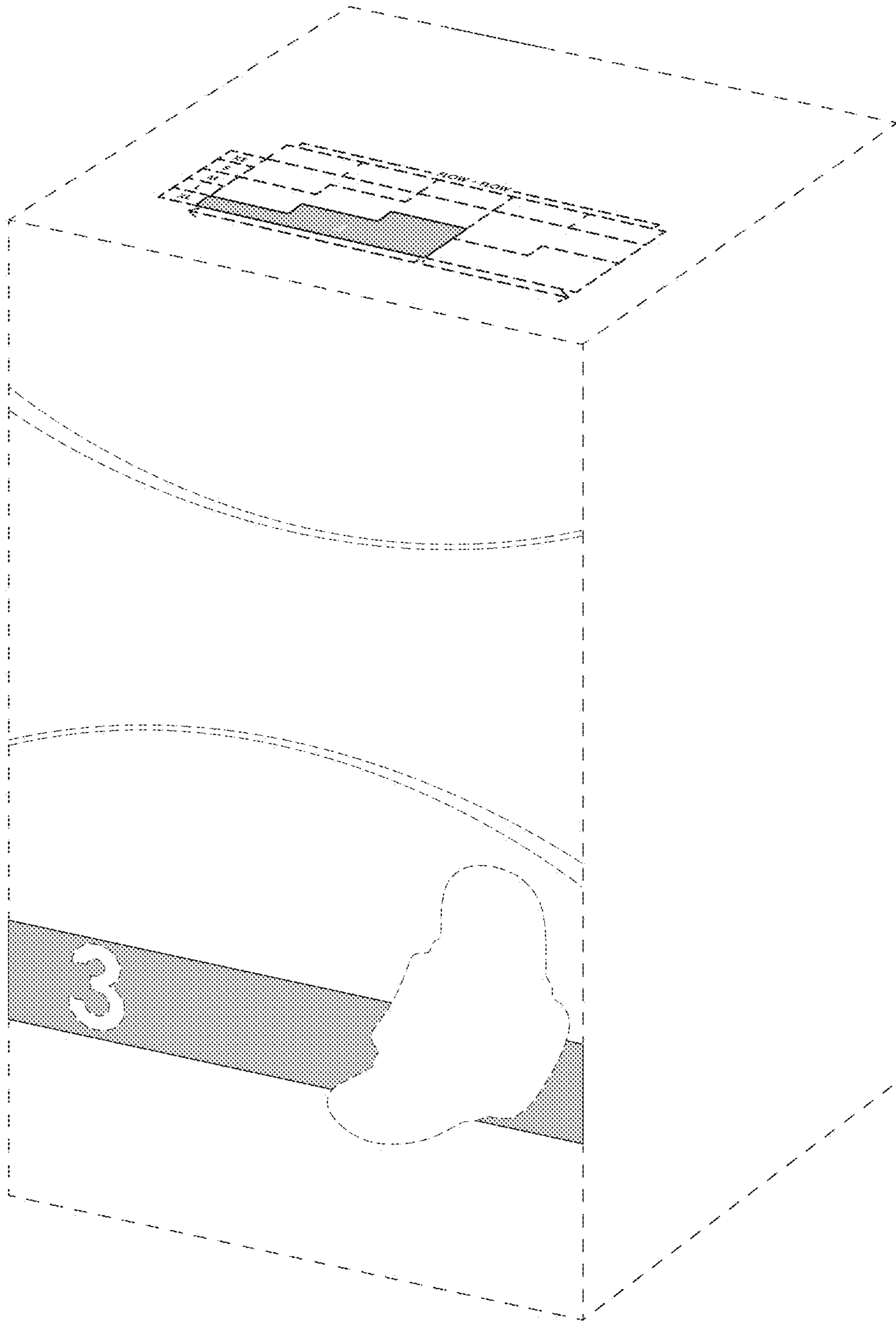


FIG. 8



FIG. 9

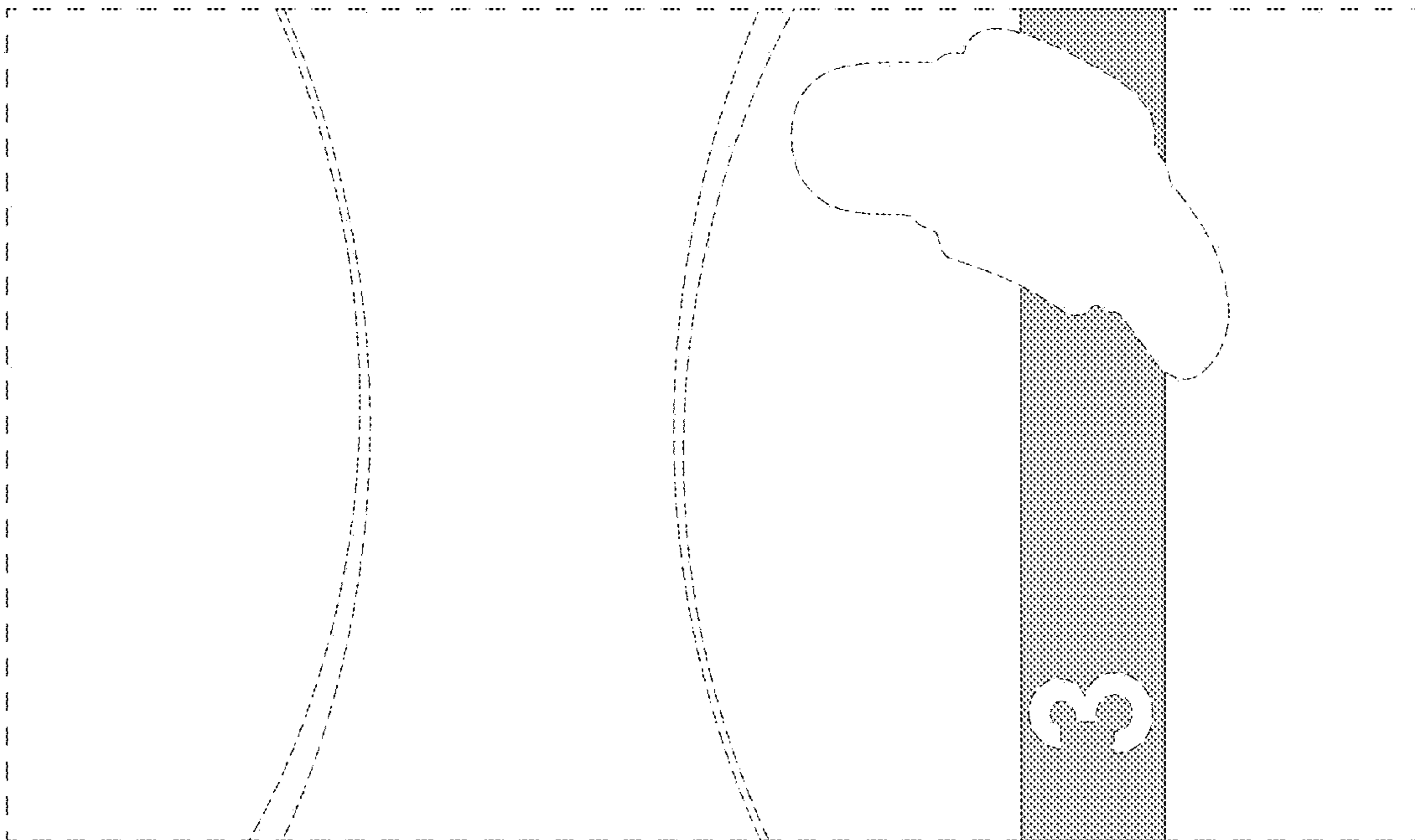


FIG. 10



FIG. 11

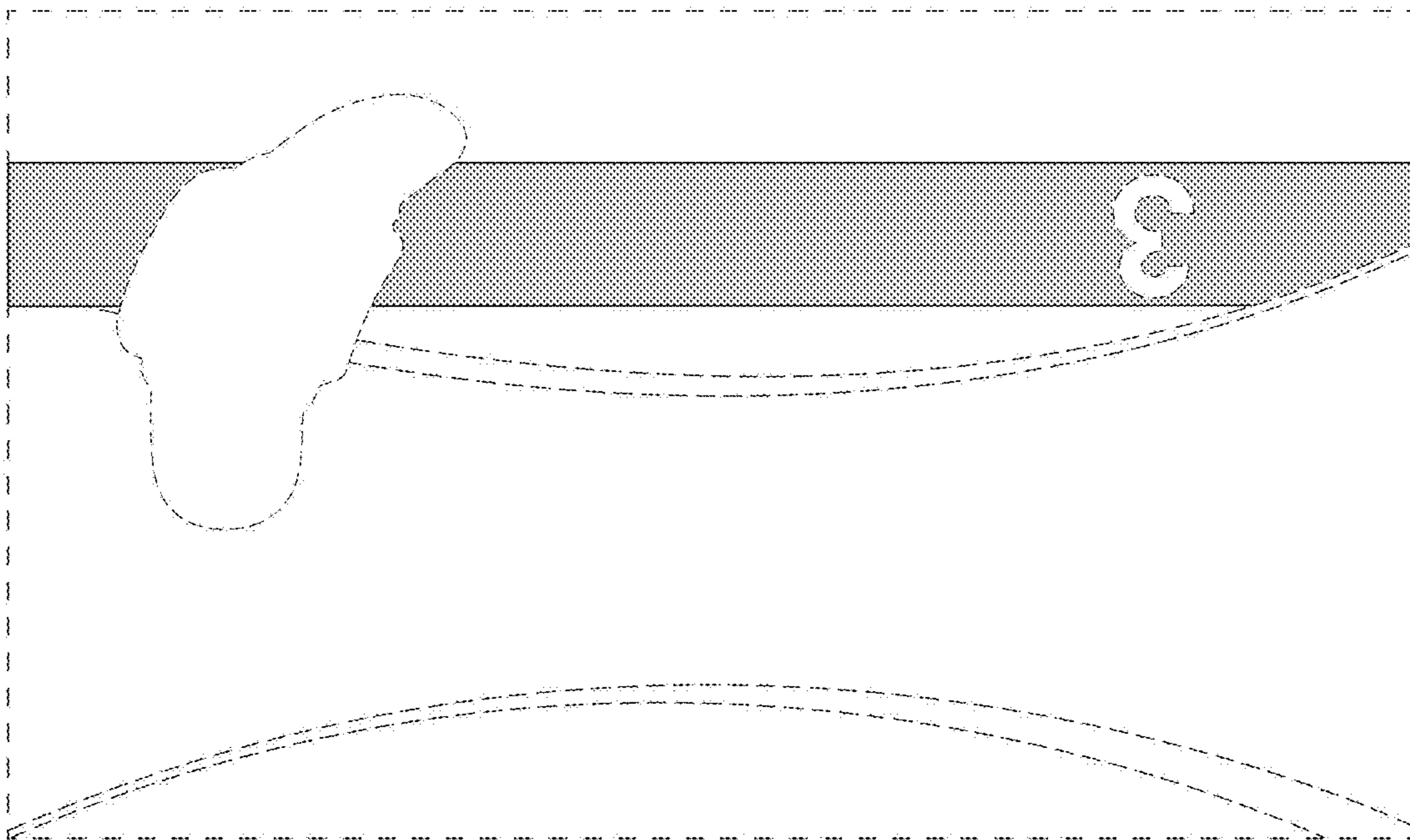


FIG. 12

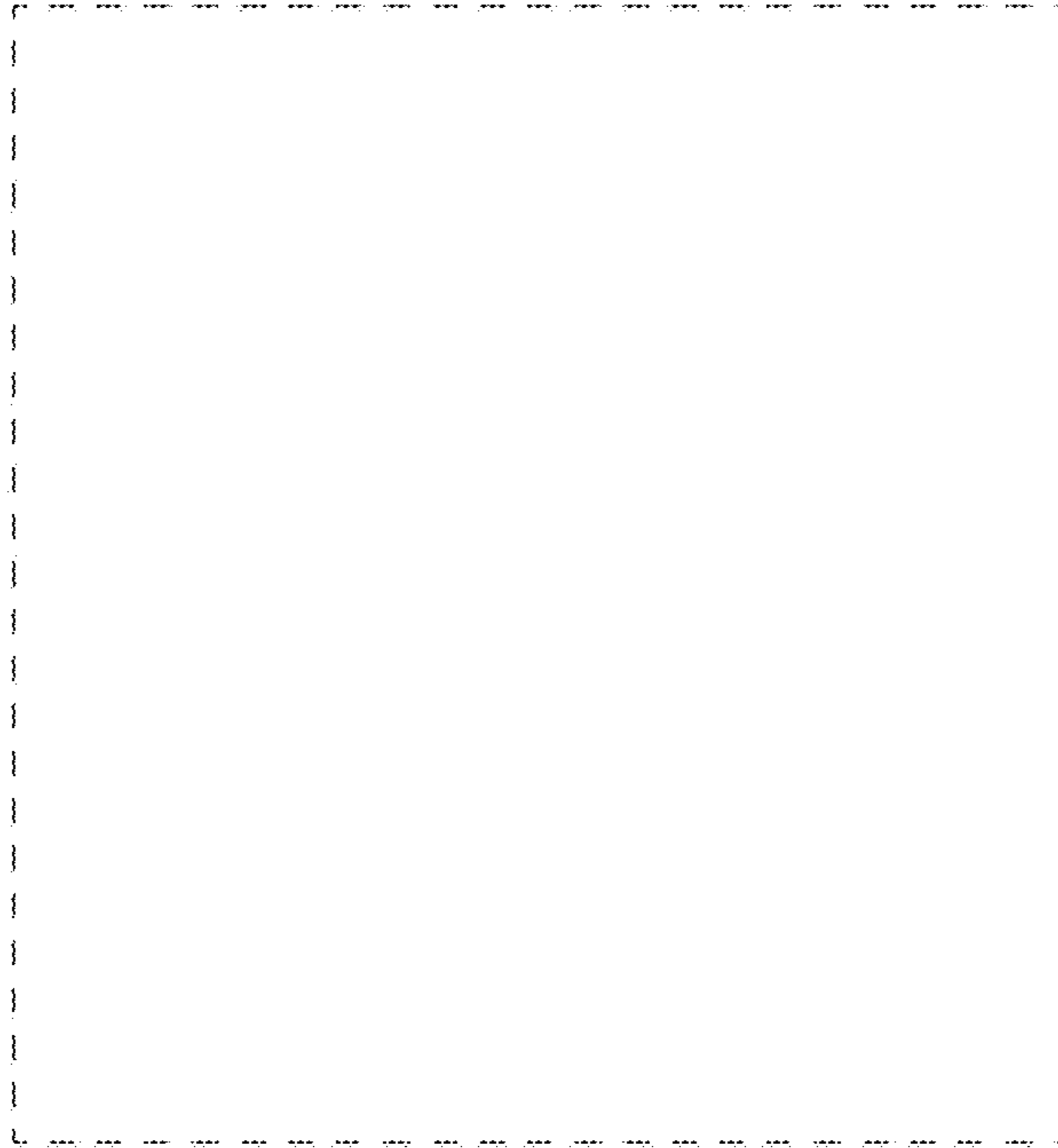


FIG. 14

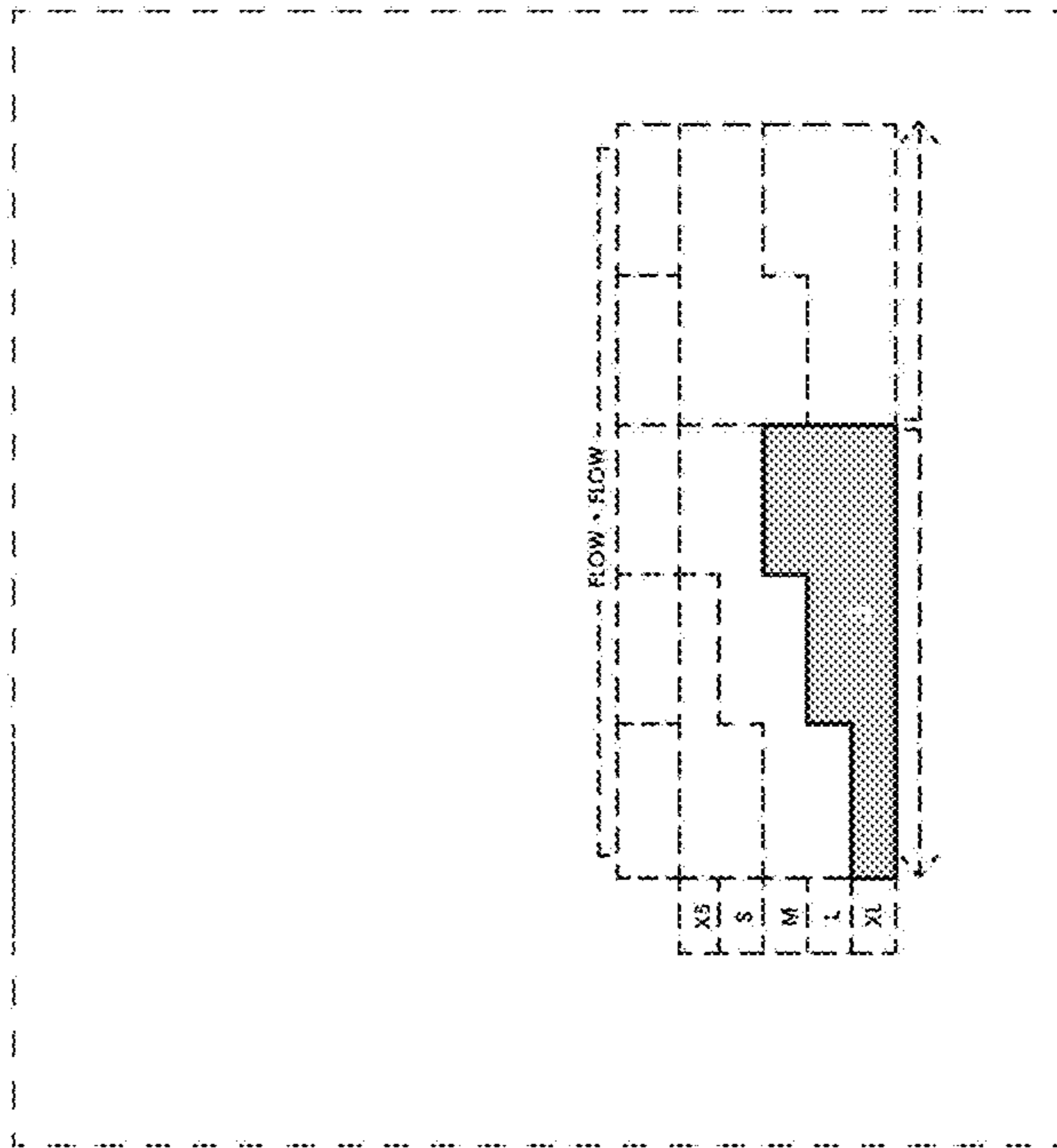


FIG. 13