



US00D945877S

(12) **United States Design Patent**
Smith et al.

(10) **Patent No.:** **US D945,877 S**
(45) **Date of Patent:** **** Mar. 15, 2022**

- (54) **CONTAINER**
- (71) Applicants: **William Thomas Smith**, Fair Oaks, CA (US); **Cheryl Ann Smith**, Fair Oaks, CA (US)
- (72) Inventors: **William Thomas Smith**, Fair Oaks, CA (US); **Cheryl Ann Smith**, Fair Oaks, CA (US)
- (73) Assignee: **ALL PLASTIC, INC.**, Rancho Cordova, CA (US)
- (**) Term: **15 Years**
- (21) Appl. No.: **29/691,120**
- (22) Filed: **May 14, 2019**
- (51) **LOC (13) Cl.** **09-03**
- (52) **U.S. Cl.**
USPC **D9/418**
- (58) **Field of Classification Search**
USPC D9/414-418, 422, 560, 564, 544;
D3/203.1, 203.2; D7/265, 542, 614;
D28/83; D20/10; D4/130; D21/499
CPC B65D 21/0204; B65D 21/0231
See application file for complete search history.

| | | | | |
|-------------------|---------|--------------|-------|--------------------------|
| D494,476 S * | 8/2004 | Cwynar-Laska | | D9/560 |
| D498,502 S * | 11/2004 | Duke | | D20/10 |
| D531,514 S * | 11/2006 | Harris | | D9/560 |
| D550,967 S * | 9/2007 | Huang | | D4/130 |
| D555,983 S * | 11/2007 | Tucker | | D7/542 |
| D572,086 S * | 7/2008 | Matsumoto | | D7/614 |
| D616,044 S * | 5/2010 | Tervo | | D21/499 |
| D624,704 S * | 9/2010 | Baker | | D28/83 |
| D635,031 S * | 3/2011 | Themann | | D9/544 |
| 8,393,485 B2 * | 3/2013 | Gold | | B65D 21/0204 220/23.4 |
| D741,058 S * | 10/2015 | Wiederman | | D3/203.2 |
| D761,008 S * | 7/2016 | Lande | | D3/203.2 |
| D800,845 S * | 10/2017 | Sprague | | D21/499 |
| D892,231 S * | 8/2020 | Jung | | D21/499 |
| D926,465 S * | 8/2021 | Schaepers | | D3/203.1 |
| 2020/0361661 A1 * | 11/2020 | Smith et al. | | B65D 25/38 |

* cited by examiner

Primary Examiner — Rhea Shields

(57) **CLAIM**

The ornamental design for a container, as shown and described.

DESCRIPTION

FIG. 1 is a perspective view of a container showing our new Design in accordance with said Design;
 FIG. 2 is a right-side view of the container shown in FIG. 1;
 FIG. 3 is a left-side view of the container shown in FIG. 1;
 FIG. 4 is a front view of the container shown in FIG. 1;
 FIG. 5 is a rear view of the container shown in FIG. 1;
 FIG. 6 is a top plan view of the container shown in FIG. 1;
 and,
 FIG. 7 is a bottom plan view of the container shown in FIG. 1.

In the drawings, the broken lines are for the purpose of illustrating portions of the container that forms no part of the claimed design.

1 Claim, 4 Drawing Sheets

(56) **References Cited**

U.S. PATENT DOCUMENTS

| | | | | |
|---------------|---------|-------------|-------|-------------------------|
| D322,938 S * | 1/1992 | Baroi | | D9/564 |
| 5,782,358 A * | 7/1998 | Walker | | B65D 21/0231 206/509 |
| D412,646 S * | 8/1999 | Credle, Jr. | | D7/625 |
| D431,190 S * | 9/2000 | Adachi | | D9/560 |
| D447,944 S * | 9/2001 | Justice | | D21/499 |
| D455,073 S * | 4/2002 | Mizrahi | | D9/418 |
| D463,979 S * | 10/2002 | Rustioni | | D9/422 |
| D468,636 S * | 1/2003 | Weinstein | | D9/418 |
| D479,461 S * | 9/2003 | Raymond | | D9/415 |

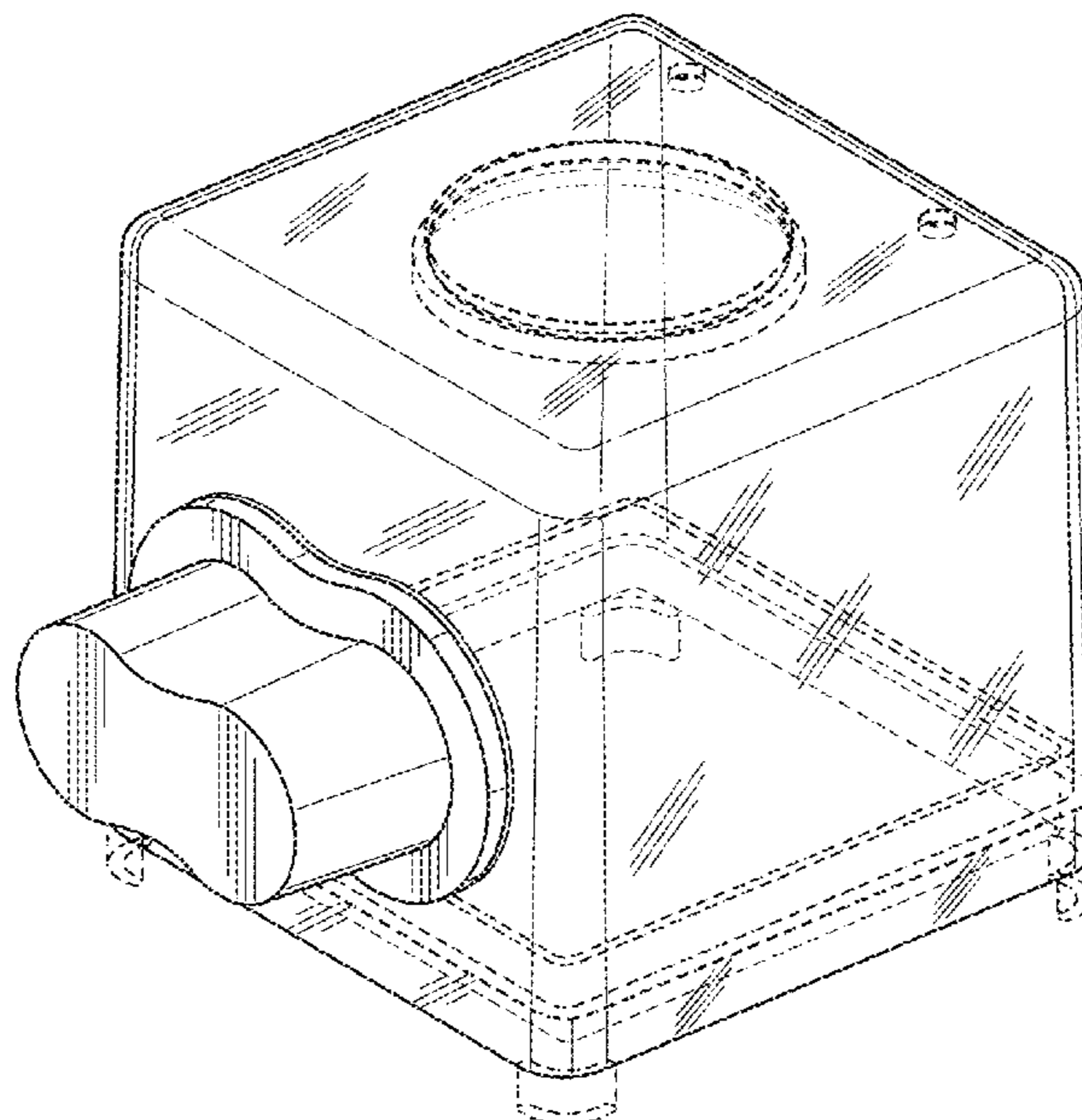
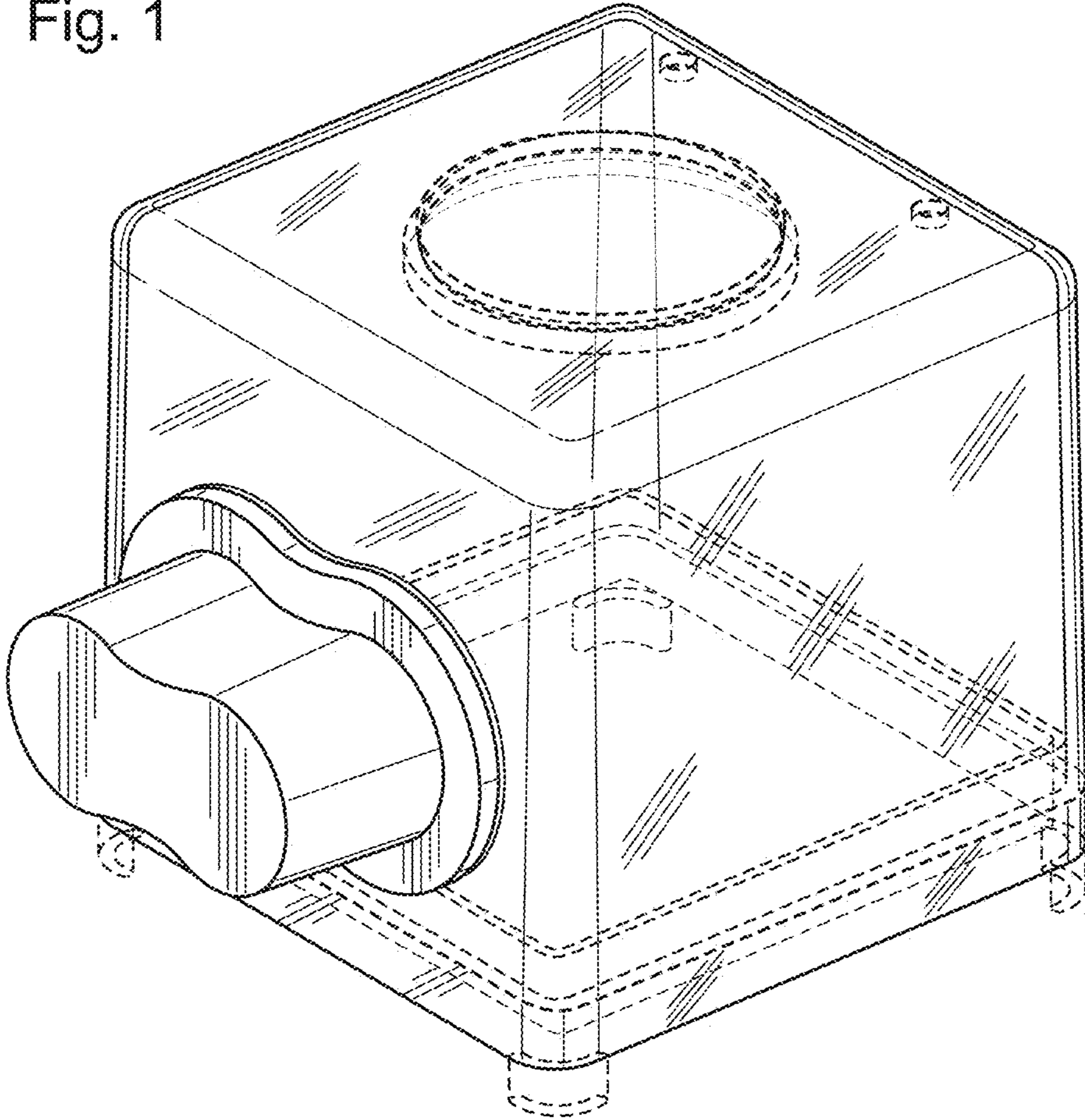


Fig. 1



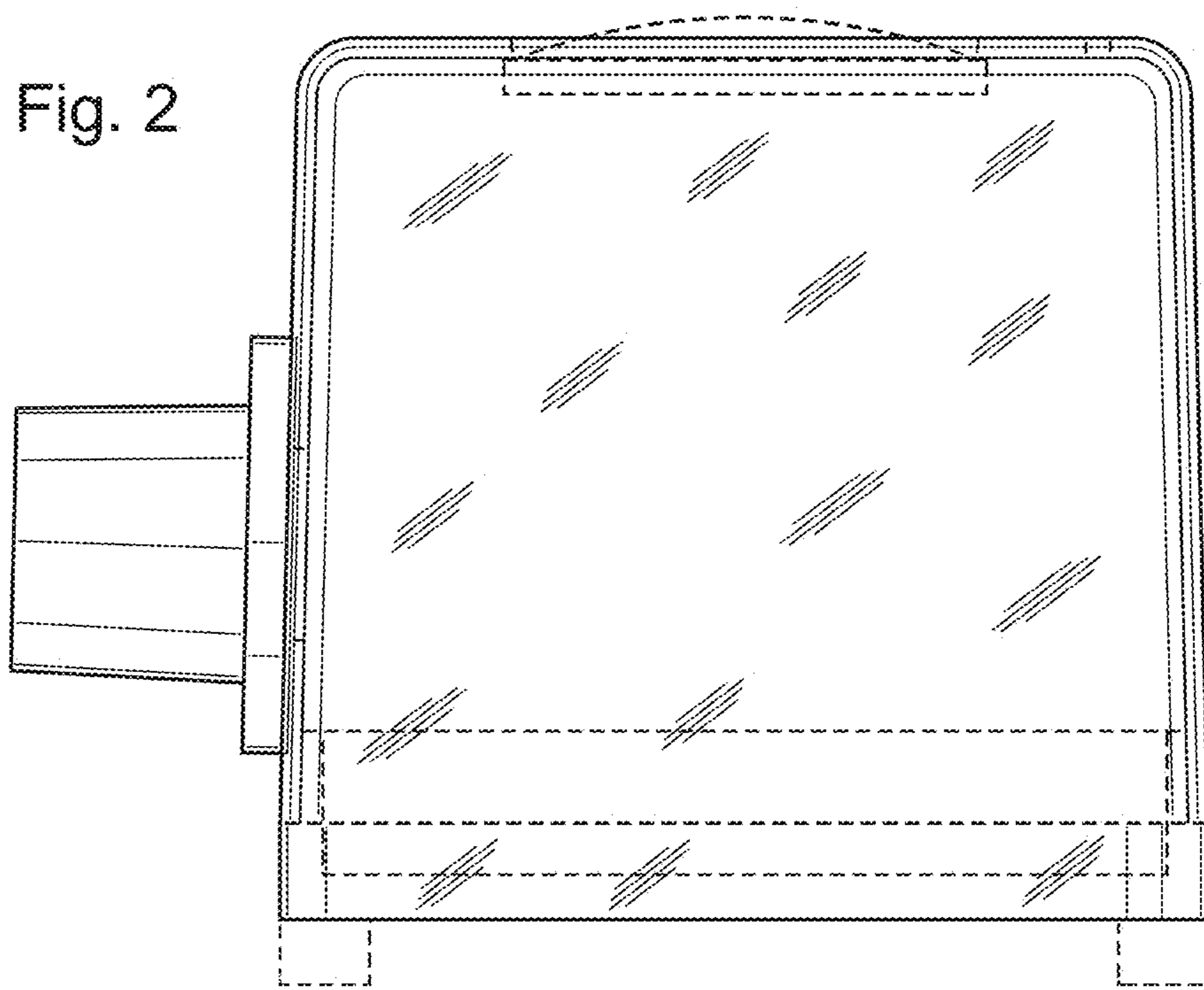


Fig. 3

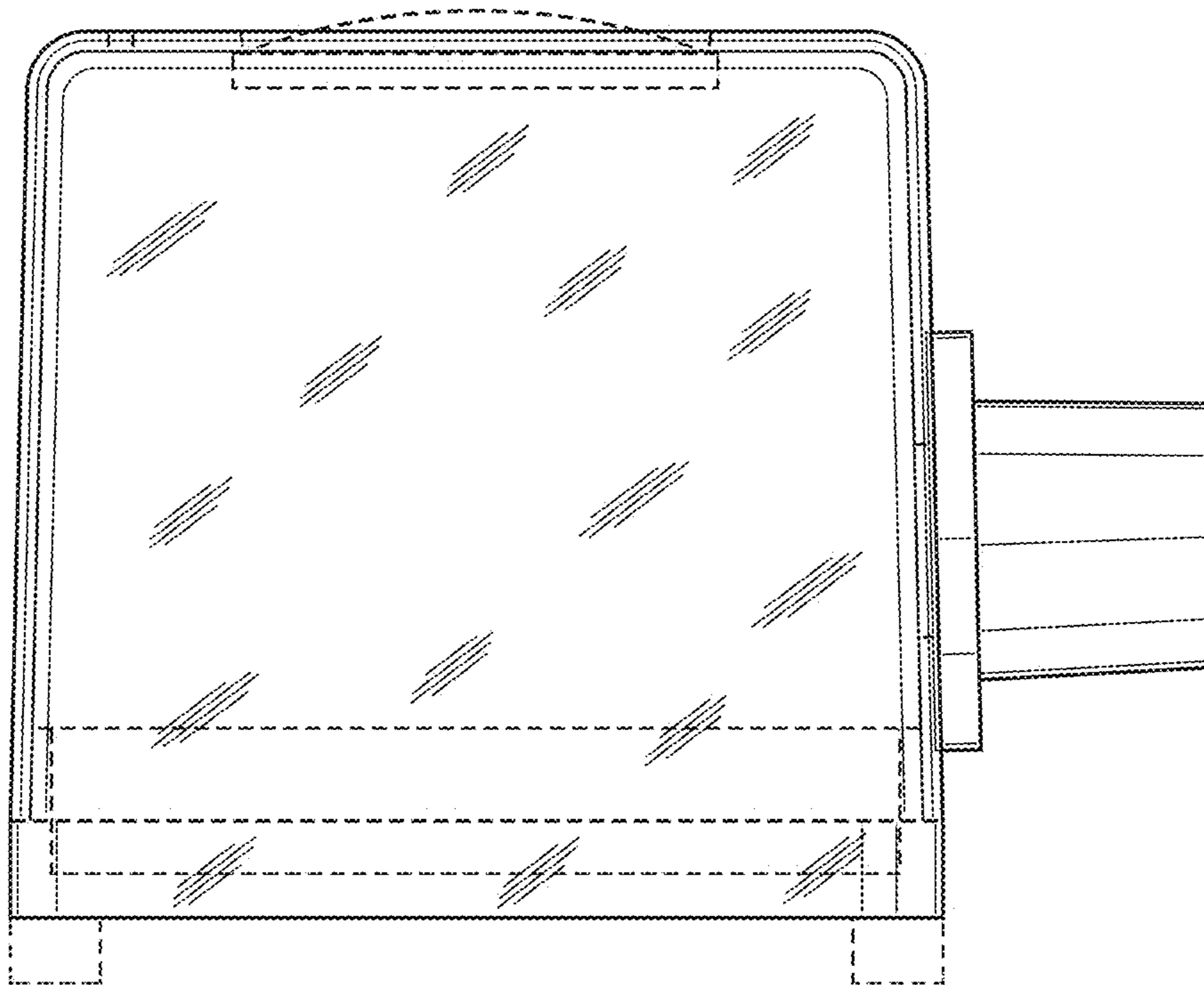


Fig. 4

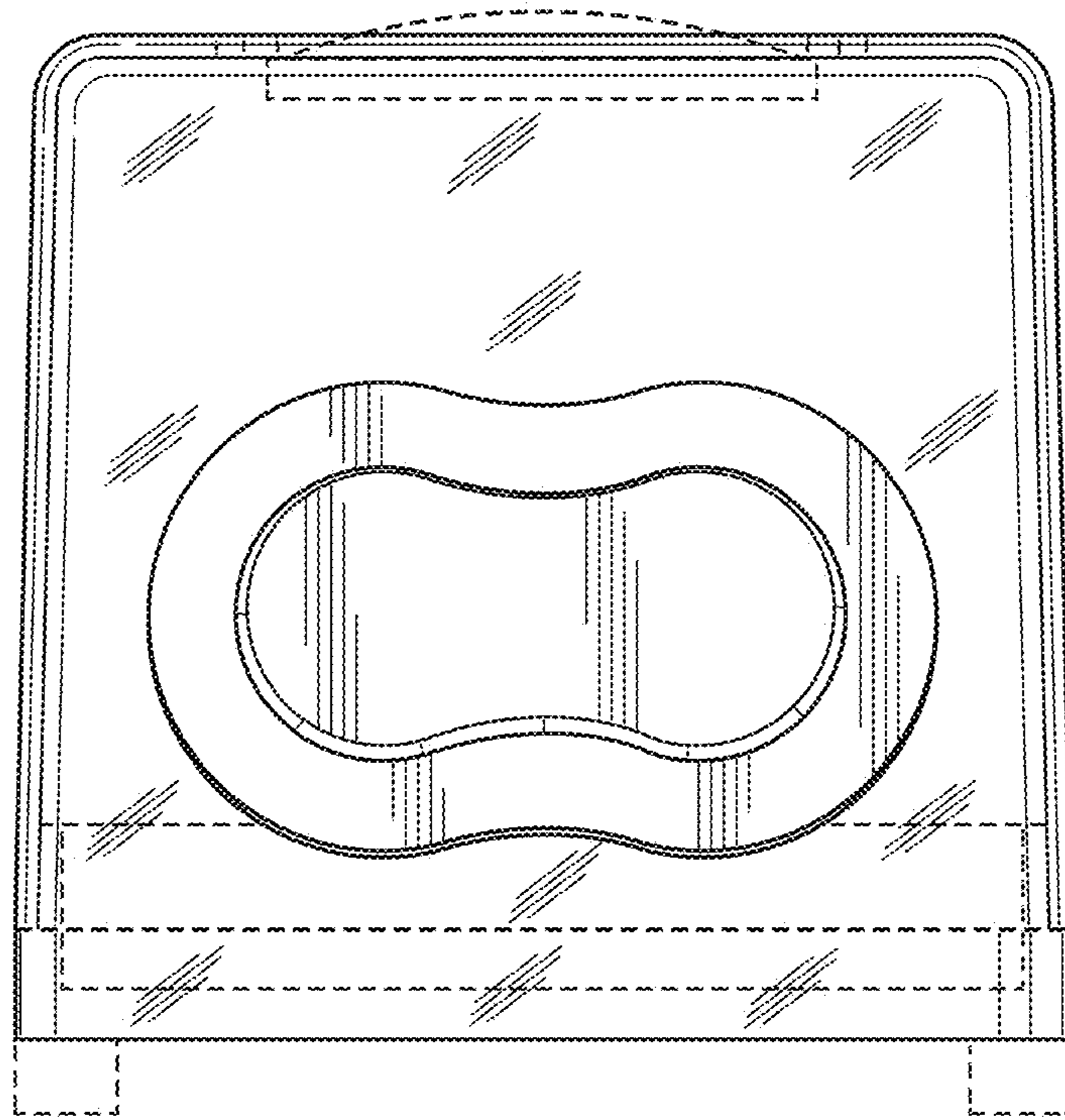


Fig. 5

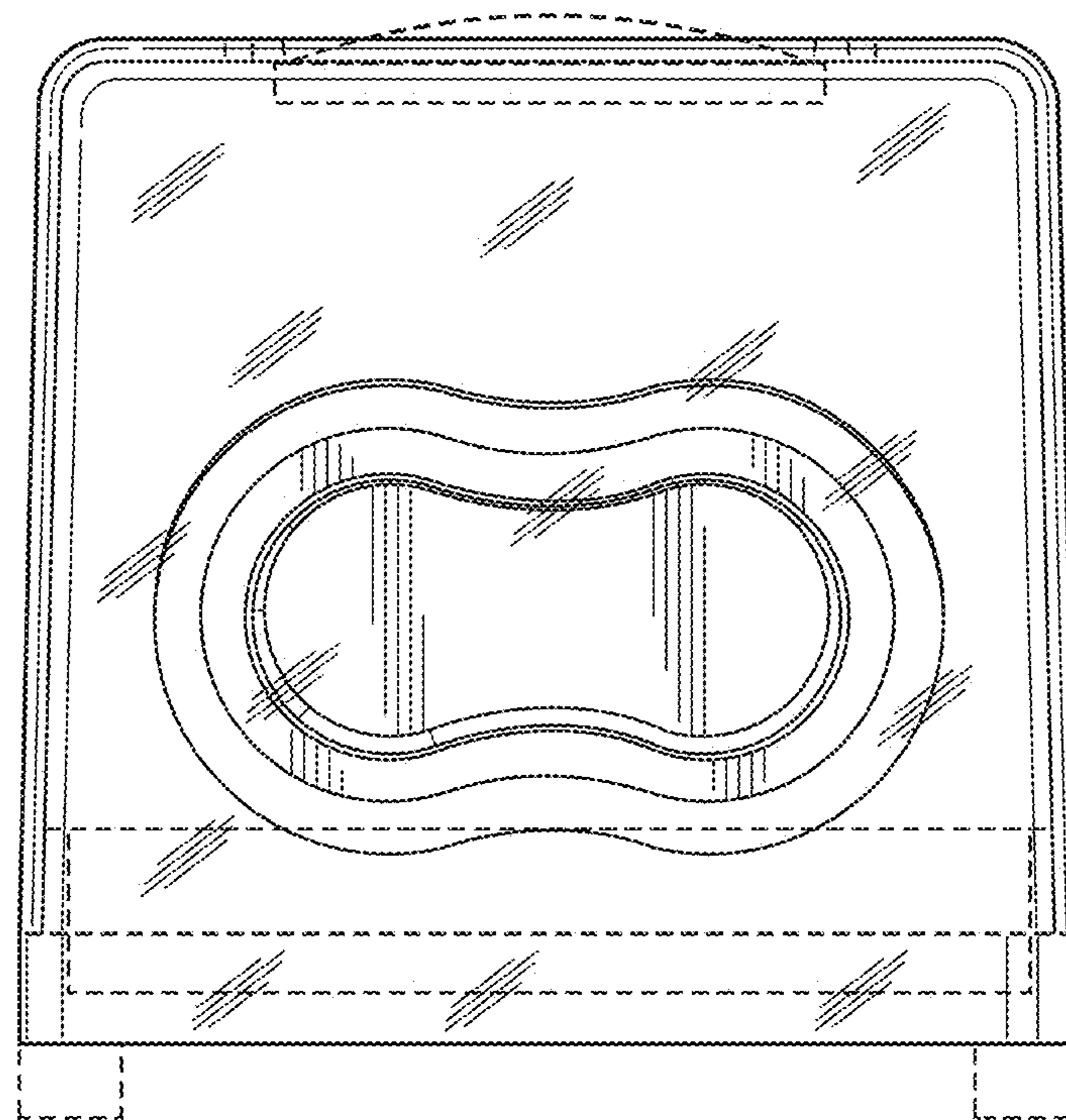


Fig. 6

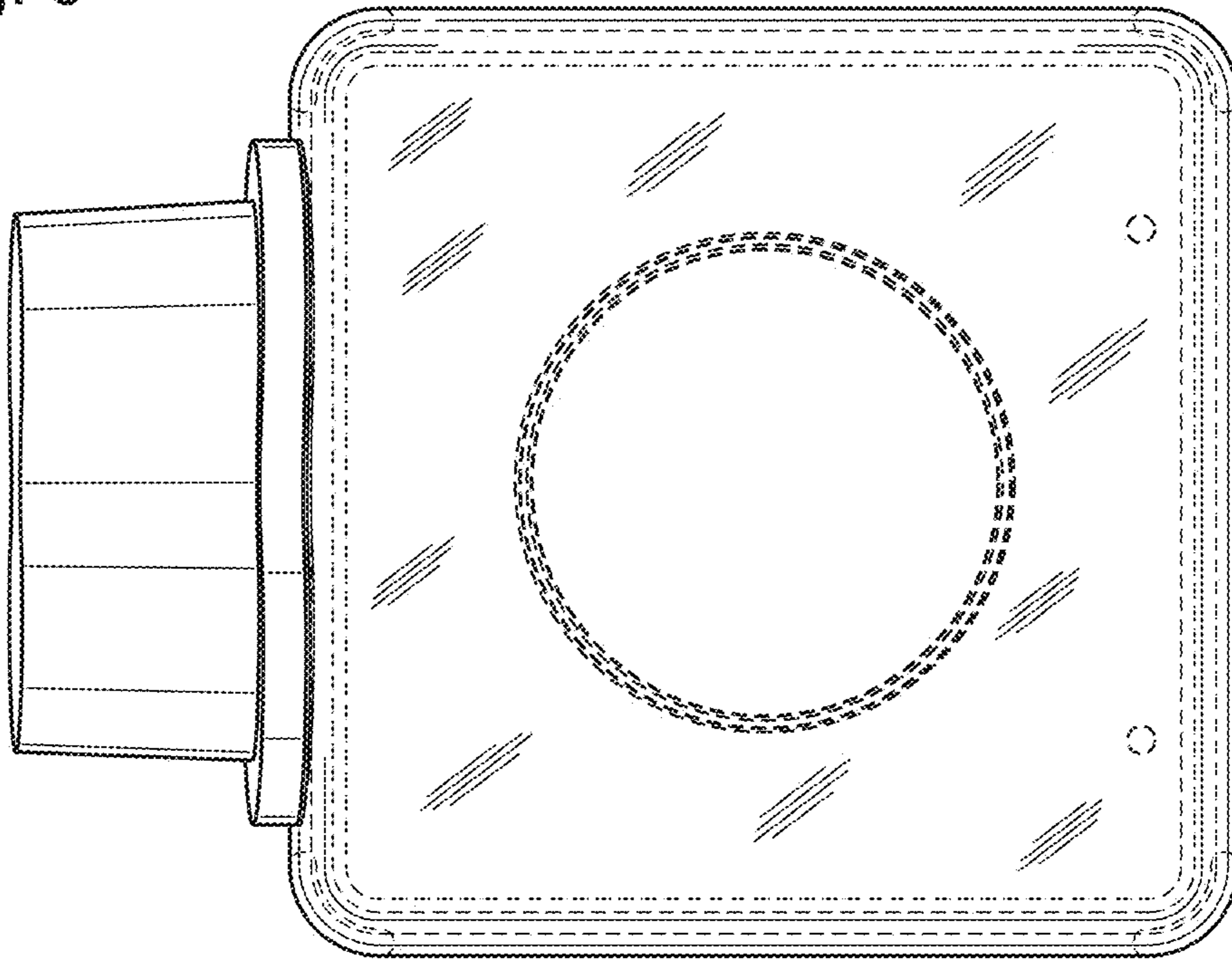


Fig. 7

