



US00D945875S

(12) **United States Design Patent**
Sailer et al.

(10) **Patent No.:** **US D945,875 S**
(45) **Date of Patent:** **** Mar. 15, 2022**

- (54) **TORQUE LIMITING NUT**
- (71) Applicant: **VAF Industries, LLC**, Escondido, CA (US)
- (72) Inventors: **Glenn Sailer**, Escondido, CA (US);
Raymond Tai, San Marcos, CA (US)
- (73) Assignee: **VAF Industries, LLC**, Escondido, CA (US)
- (**) Term: **15 Years**
- (21) Appl. No.: **29/760,299**
- (22) Filed: **Nov. 30, 2020**

- 3,373,789 A * 3/1968 Parkin F16B 37/043
411/112
- 3,444,775 A * 5/1969 Hills F16B 31/021
411/5
- 3,522,830 A * 8/1970 Blizard F16B 39/34
411/303
- 3,702,628 A * 11/1972 Cosenza F16B 39/36
411/280
- 3,742,583 A * 7/1973 Devlin F16B 31/021
29/413
- 3,978,761 A * 9/1976 Sosinski F16B 31/021
411/5
- 4,019,550 A * 4/1977 DeHaitre F16B 39/34
411/303
- D244,909 S * 7/1977 Gill D8/397
- 4,037,515 A * 7/1977 Kesselman F16B 41/005
411/3
- D254,292 S * 2/1980 Kruger D8/397
- 4,408,936 A * 10/1983 Williamson F16B 19/05
411/281

Related U.S. Application Data

- (63) Continuation of application No. 16/200,552, filed on Nov. 26, 2018, now abandoned.
- (51) **LOC (13) Cl.** **08-08**
- (52) **U.S. Cl.**
USPC **D8/397**
- (58) **Field of Classification Search**
USPC D8/397, 394, 382, 349, 399; 411/427,
411/374, 366.1, 2, 3, 5
CPC A61B 17/0401; E04D 13/1476; E04G
25/065; F16B 41/002; F16B 23/0061;
F16B 37/14; F16B 35/00; F16B 31/021
See application file for complete search history.

References Cited

U.S. PATENT DOCUMENTS

- D22,813 S * 9/1893 Rouse D8/397
- 2,394,812 A * 2/1946 Seitz F16B 39/286
411/5
- 2,552,794 A * 5/1951 Kimbell F16B 37/02
411/427
- 2,727,551 A * 12/1955 Rees F16B 39/34
411/303

(Continued)

Primary Examiner — Cynthia R Underwood
(74) *Attorney, Agent, or Firm* — LambentIP

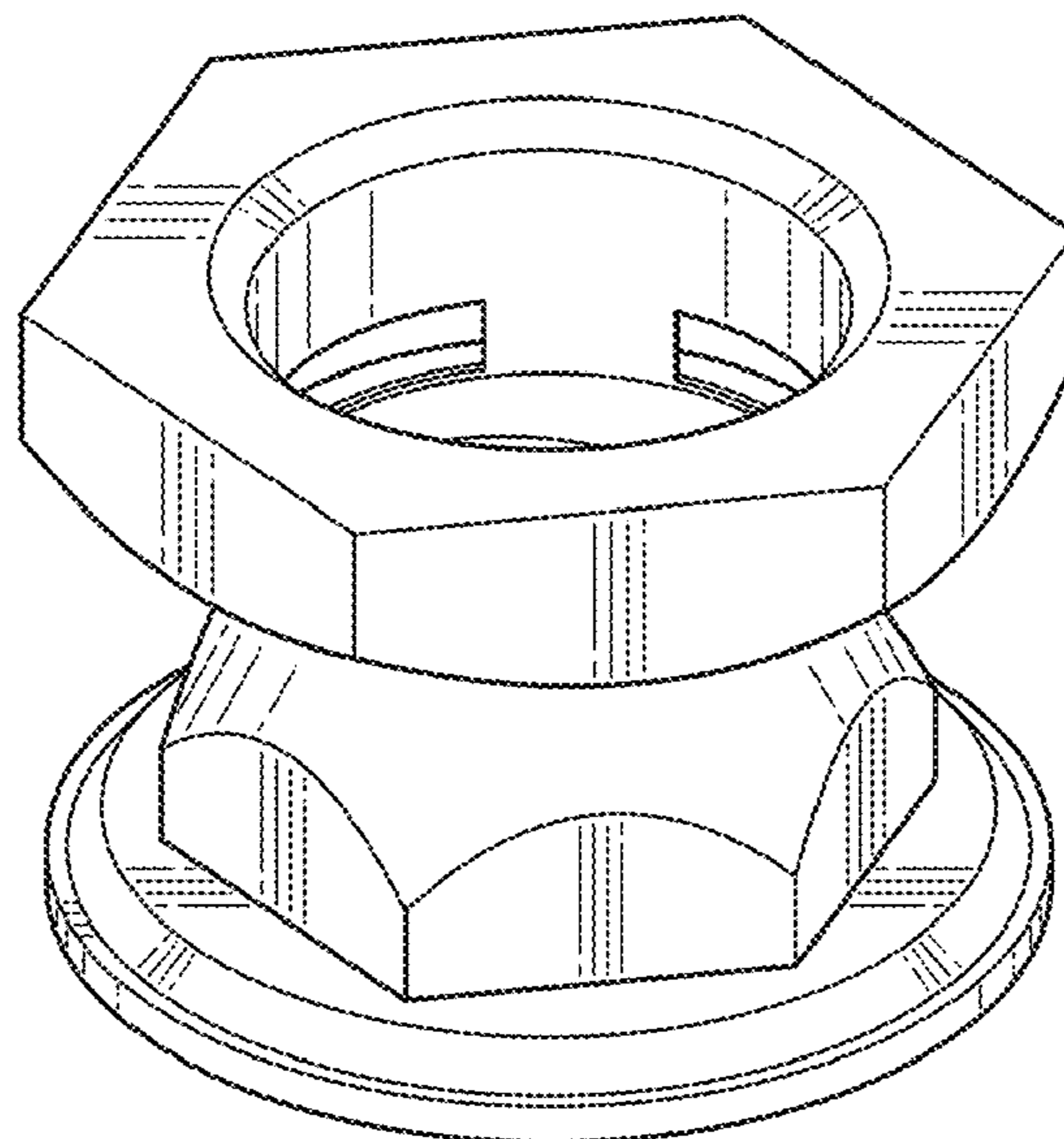
(57) **CLAIM**

The ornamental design for a torque limiting nut, as shown and described.

DESCRIPTION

FIG. 1 is a perspective view of a torque limiting nut, showing my design.
 FIG. 2 is another perspective view thereof.
 FIG. 3 is a top view thereof.
 FIG. 4 is a bottom view thereof.
 FIG. 5 is a side view thereof.
 FIG. 6 is another side view thereof.
 FIG. 7 is a cross-sectional view thereof, taken along line 7-7 in FIG. 3; and,
 FIG. 8 is a cross-sectional view thereof, taken along line 8-8 in FIG. 3.

1 Claim, 3 Drawing Sheets



(56)

References Cited

U.S. PATENT DOCUMENTS

D281,953 S *	12/1985	Newman	D8/397			
4,874,275 A *	10/1989	Gotman	F16B 31/021			
				411/5			
4,957,401 A *	9/1990	Hatter	B21H 3/02			
				411/411			
D311,131 S *	10/1990	Saito	D8/397			
D385,777 S *	11/1997	Vallery	D8/397			
5,682,801 A *	11/1997	Waechter	B25B 13/065			
				411/402			
D387,657 S *	12/1997	Holmes	D8/397			
5,873,689 A *	2/1999	Mensour	E21D 21/008			
				411/3			
6,071,052 A *	6/2000	Kerr	F16B 39/34			
				411/247			
D459,207 S *	6/2002	Miyata	D8/397			
D519,076 S *	4/2006	Fox	D13/133			
D521,858 S *	5/2006	Roy	D8/397			
7,063,565 B2 *	6/2006	Ward	H01R 9/0524			
				439/578			
7,182,563 B2 *	2/2007	Wimmer	F16B 37/041			
				411/174			
D576,480 S *	9/2008	Vakiener	D8/397			
D581,777 S *	12/2008	Huang	D8/397			
D614,247 S *	4/2010	Clausen	D21/488			
8,007,216 B2 *	8/2011	Ross	F16B 37/122			
				411/171			
8,696,285 B2 *	4/2014	Bertels	F16B 33/02			
				411/426			
D796,947 S *	9/2017	Hsu	D8/397			
D798,701 S *	10/2017	Hill	F16B 37/14			
				D8/397			
D802,410 S *	11/2017	Felix	D8/397			
D825,322 S *	8/2018	Sears	D8/397			
D840,797 S *	2/2019	Bentley	D8/397			
D860,774 S *	9/2019	Epstein	D8/397			
D878,194 S *	3/2020	Lee	D8/397			
D880,284 S *	4/2020	Ferraro	D8/397			
D897,830 S *	10/2020	Roberto	D8/397			
D924,045 S *	7/2021	Savushkin	D8/397			
2003/0039527 A1 *	2/2003	Schatz	F16B 39/282			
				411/9			
2004/0112873 A1	6/2004	Ramasamy et al.					
2013/0303293 A1	11/2013	Eckstein et al.					
2017/0122359 A1 *	5/2017	Foerster, Jr.	B23P 6/00			

* cited by examiner

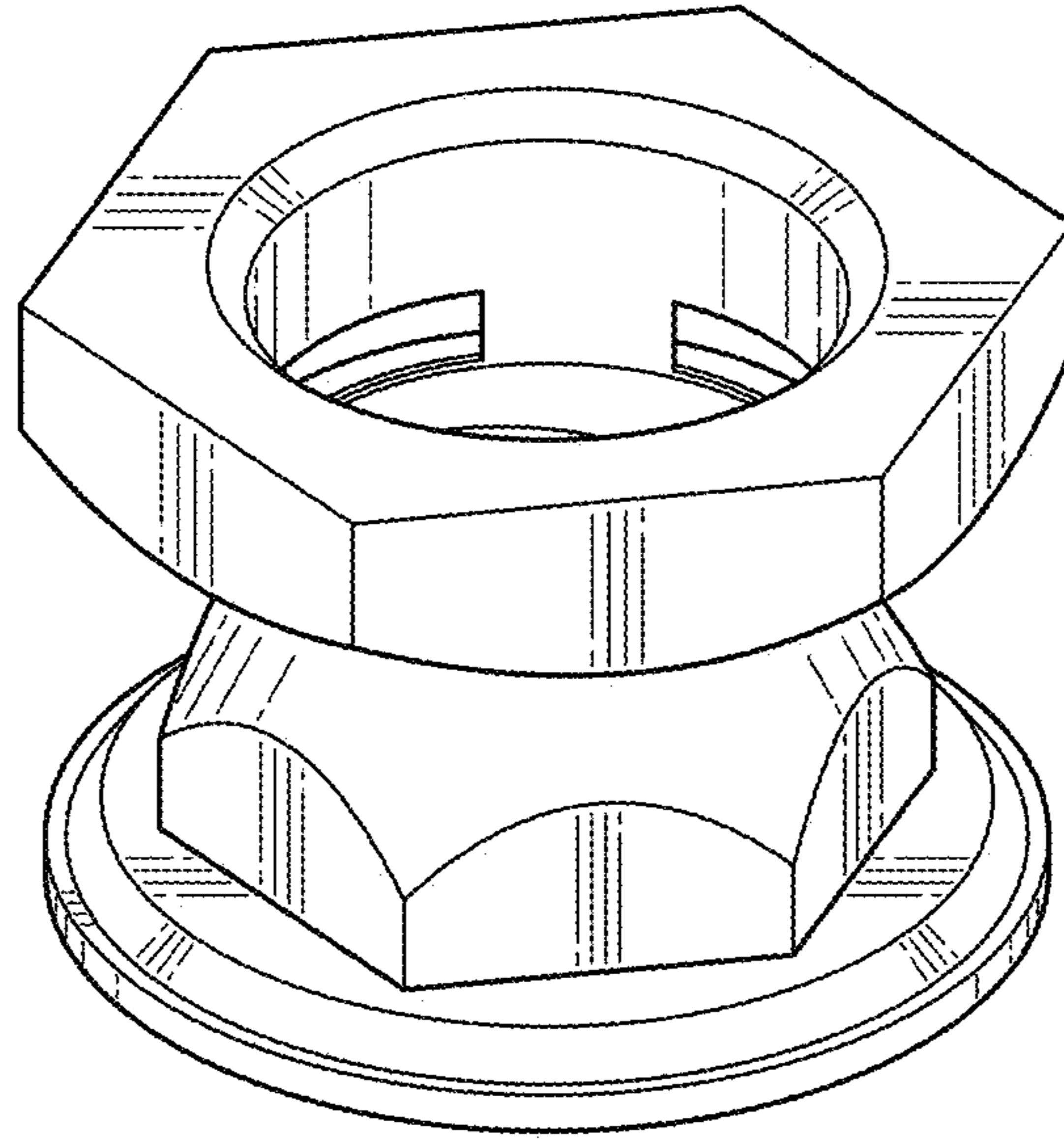


FIG. 1

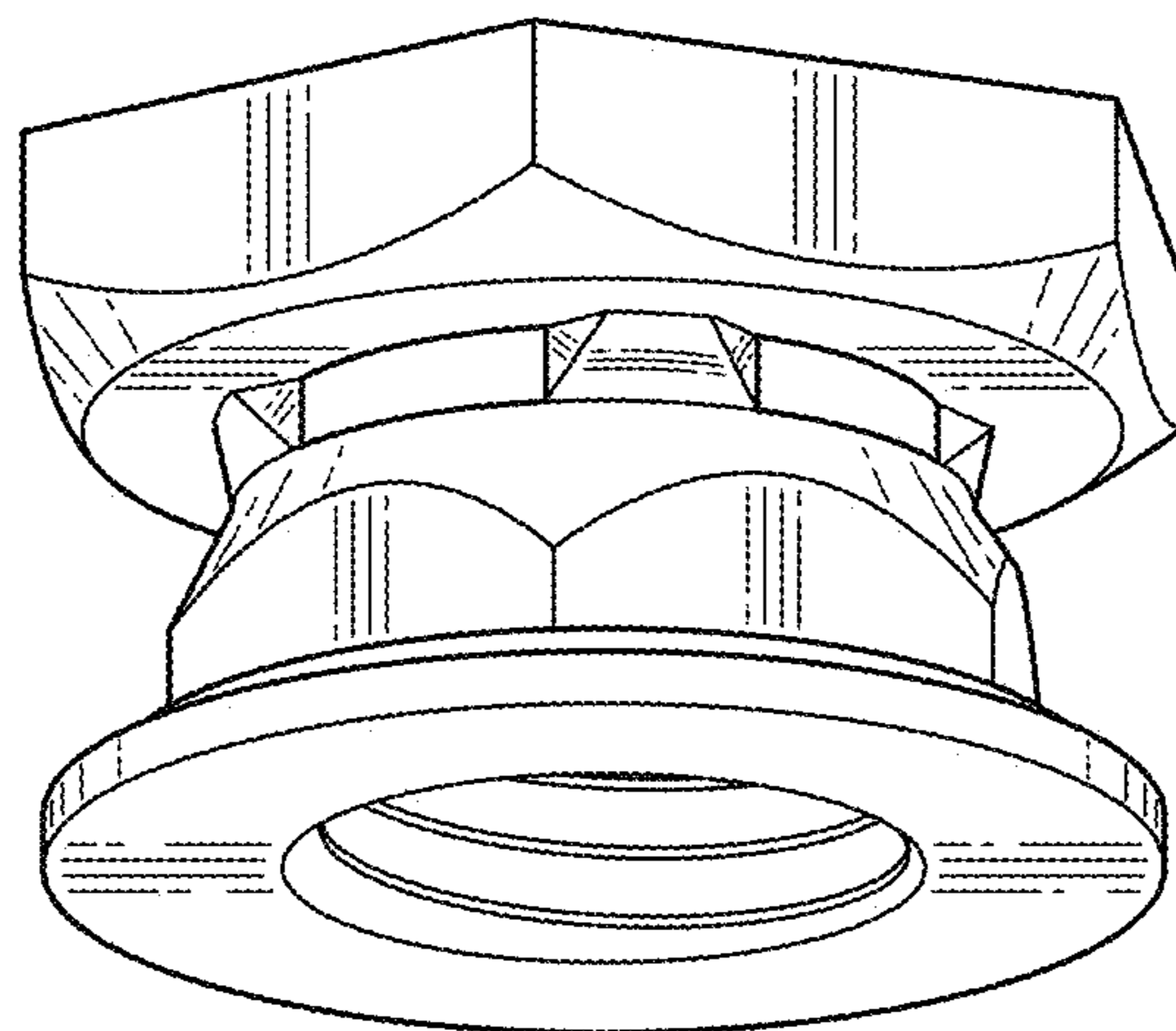


FIG. 2

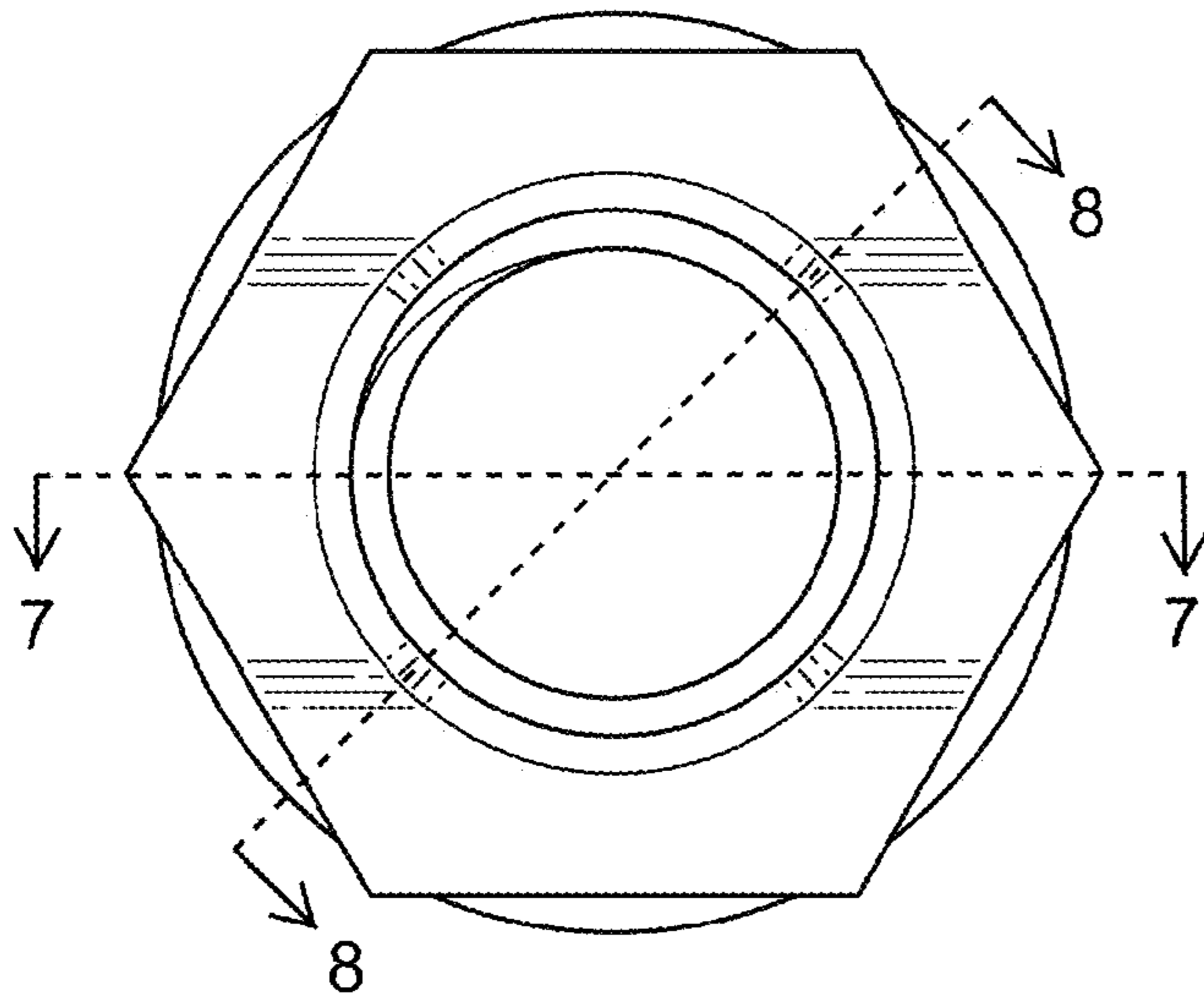


FIG. 3

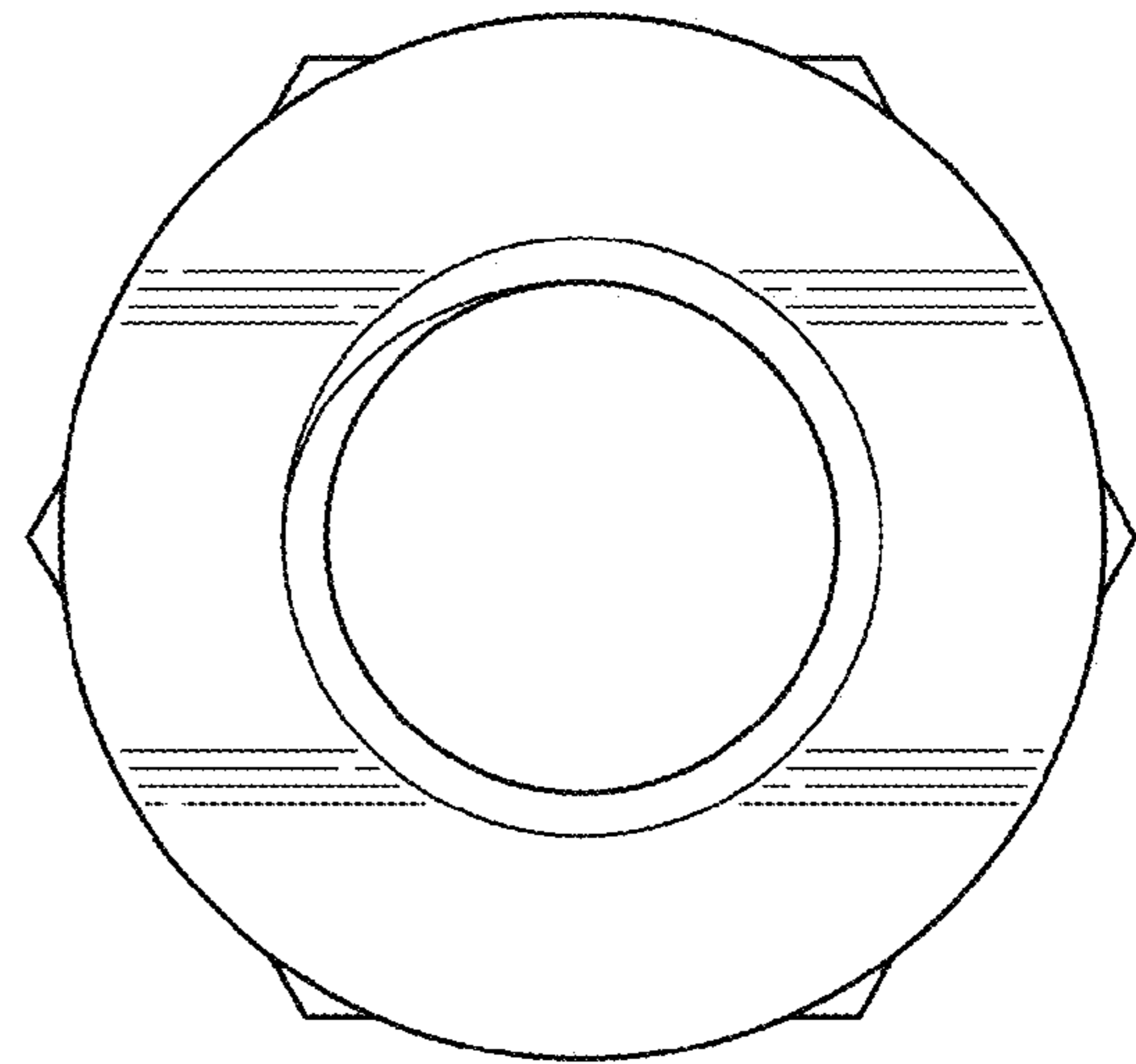


FIG. 4

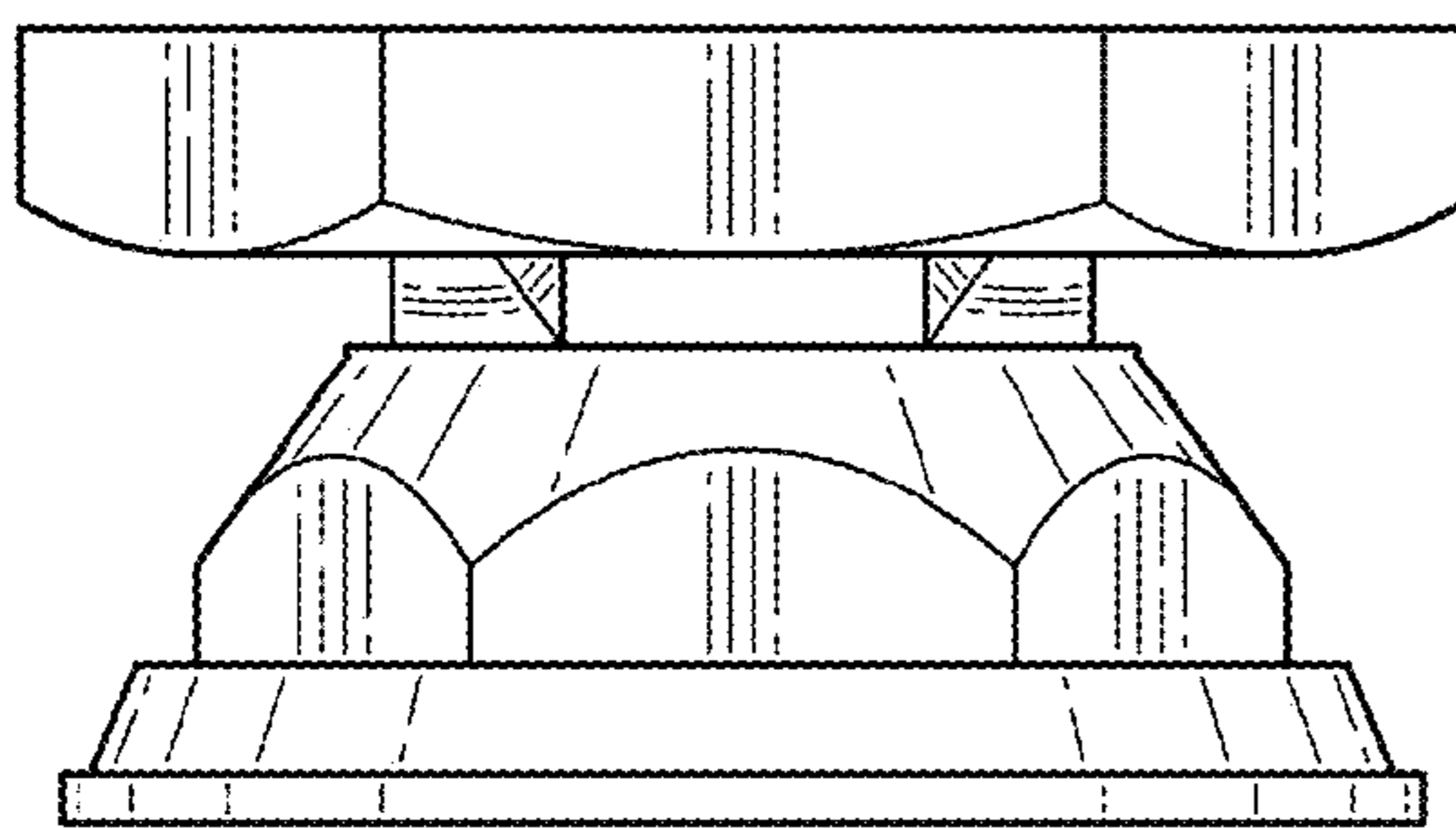


FIG. 5

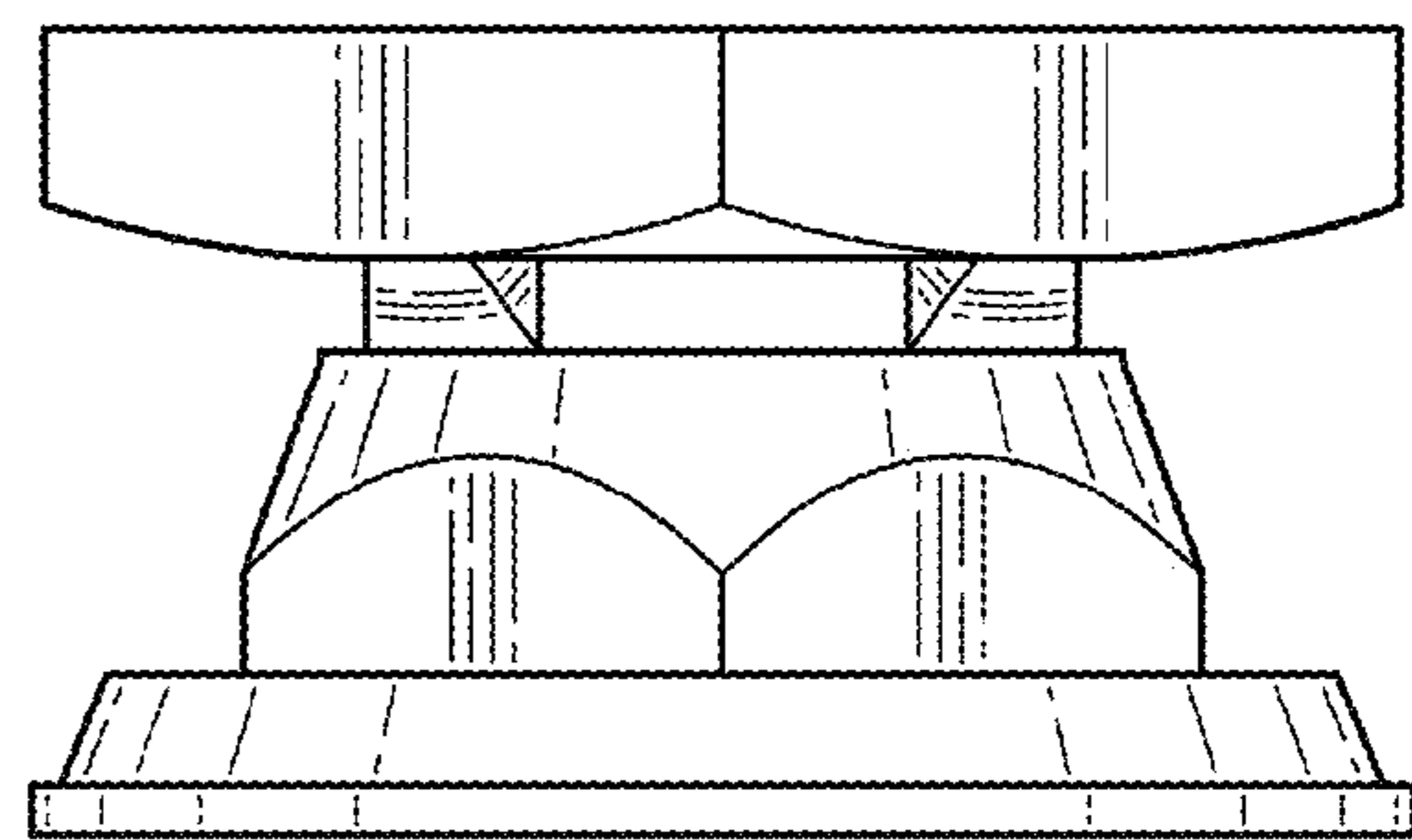


FIG. 6

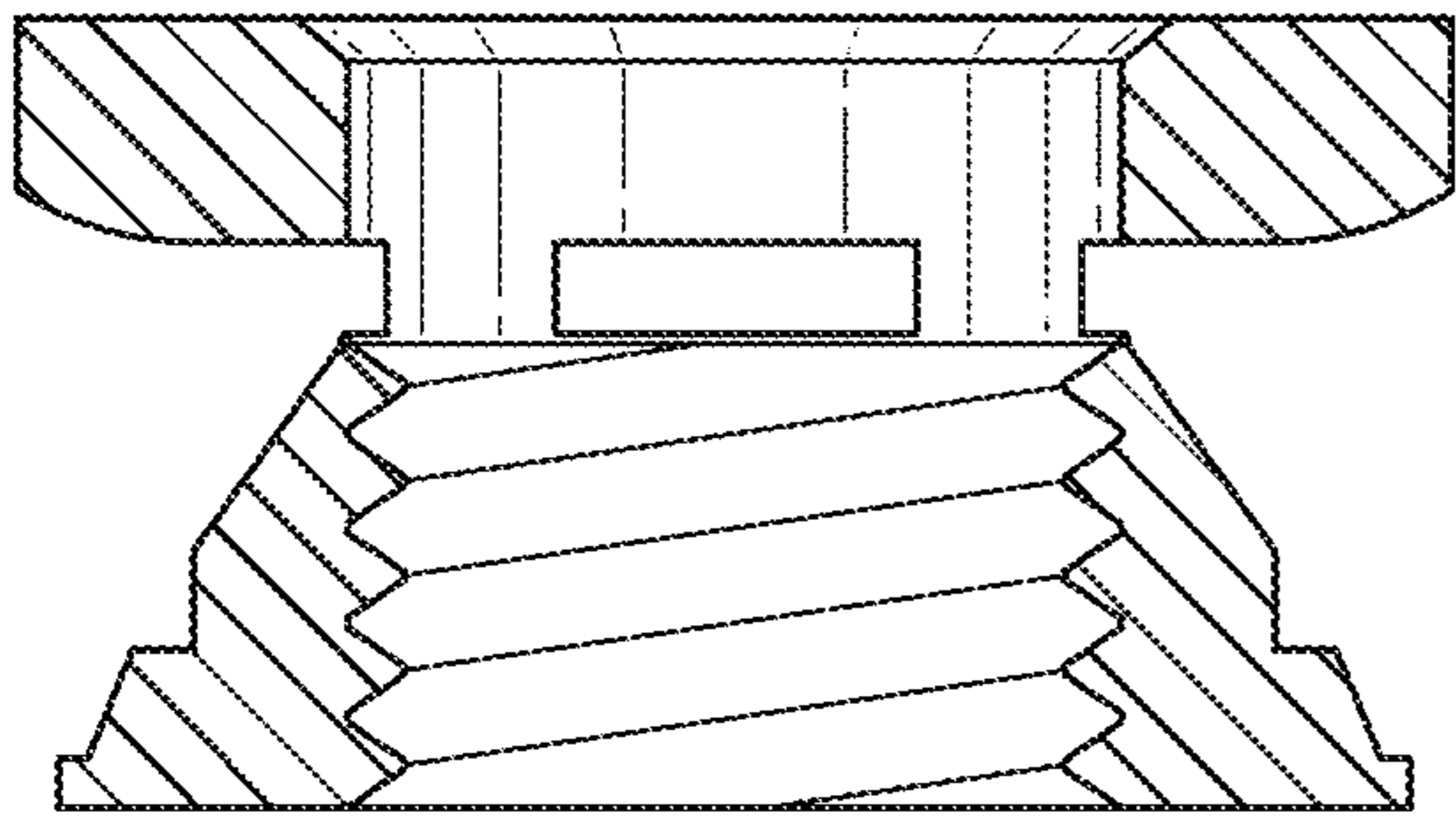


FIG. 7

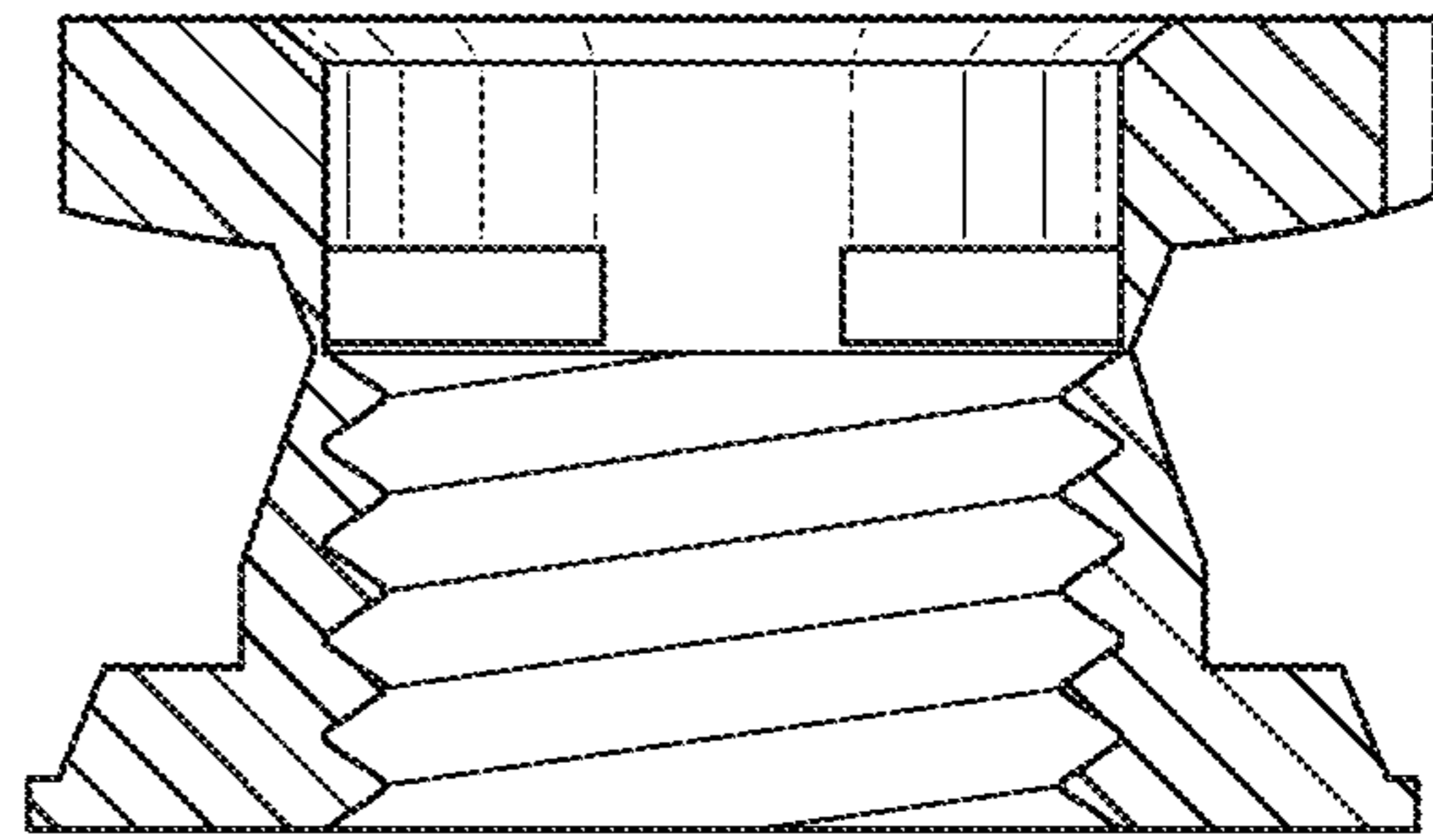


FIG. 8