



US00D945872S

(12) **United States Design Patent**
Lieshout

(10) **Patent No.:** **US D945,872 S**
(45) **Date of Patent:** **** Mar. 15, 2022**

(54) **CURTAIN CLAMP**

(71) Applicants: **IAC B.V**, Barneveld (NL); **Eureka P.D. & E.**, Geel (BE)

(72) Inventor: **Steven van Lieshout**, Geel (BE)

(**) Term: **15 Years**

(21) Appl. No.: **29/737,212**

(22) Filed: **Jun. 7, 2020**

(51) **LOC (13) Cl.** **08-08**

(52) **U.S. Cl.**
USPC **D8/394**

(58) **Field of Classification Search**
USPC D8/70–72, 371–377, 380–381, 394–398
CPC ... A44B 19/00; F16B 2/14; F16B 5/06; Y10T
24/44513; Y10T 24/44556; Y10T
24/44564; Y10T 24/44607

See application file for complete search history.

(56) **References Cited**

U.S. PATENT DOCUMENTS

D323,890 S *	2/1992	Collins	D24/143
D356,376 S *	3/1995	Collins	D24/143
D365,017 S *	12/1995	Rohrig	D8/394
D374,170 S *	10/1996	Slaski	D32/61
D383,970 S *	9/1997	Berman	D8/395
D391,151 S *	2/1998	Berman	D8/395
6,698,071 B1 *	3/2004	Greer, Jr.	F16B 2/10 24/507
D572,128 S *	7/2008	Poulsen	D8/395
D584,406 S *	1/2009	Veedefald	A61M 5/1418 D24/128
D670,998 S *	11/2012	Lavoie	D8/395
D752,965 S *	4/2016	Blaney	D8/394
D779,853 S *	2/2017	Taylor	D6/553
D790,309 S *	6/2017	Liao	D8/72
D798,139 S *	9/2017	Giannatti	D8/394

D816,476 S *	5/2018	Shargh	D8/395
D820,457 S *	6/2018	Sommer	D24/180
D870,547 S *	12/2019	Liao	D8/394
D904,178 S *	12/2020	Holdcroft	D8/394
D917,045 S *	4/2021	Gray	D24/129
D926,892 S *	8/2021	Solomon	D21/565
D926,993 S *	8/2021	Ruiz-Vela	D24/180
D928,542 S *	8/2021	Stephenson	D6/715

OTHER PUBLICATIONS

“EasyKlip Midi Tarp Clip”, Aug. 12, 2011, Amazon.com, site visited Oct. 6, 2021: <https://www.amazon.com/EasyKlip-25103-220lbs-25-Pack-Green/dp/B005F2Z4ZY> (Year: 2011).*

(Continued)

Primary Examiner — Jack Reickel
Assistant Examiner — Michael A Kervin
(74) *Attorney, Agent, or Firm* — Patshegen IP LLC;
Moshe Pinchas

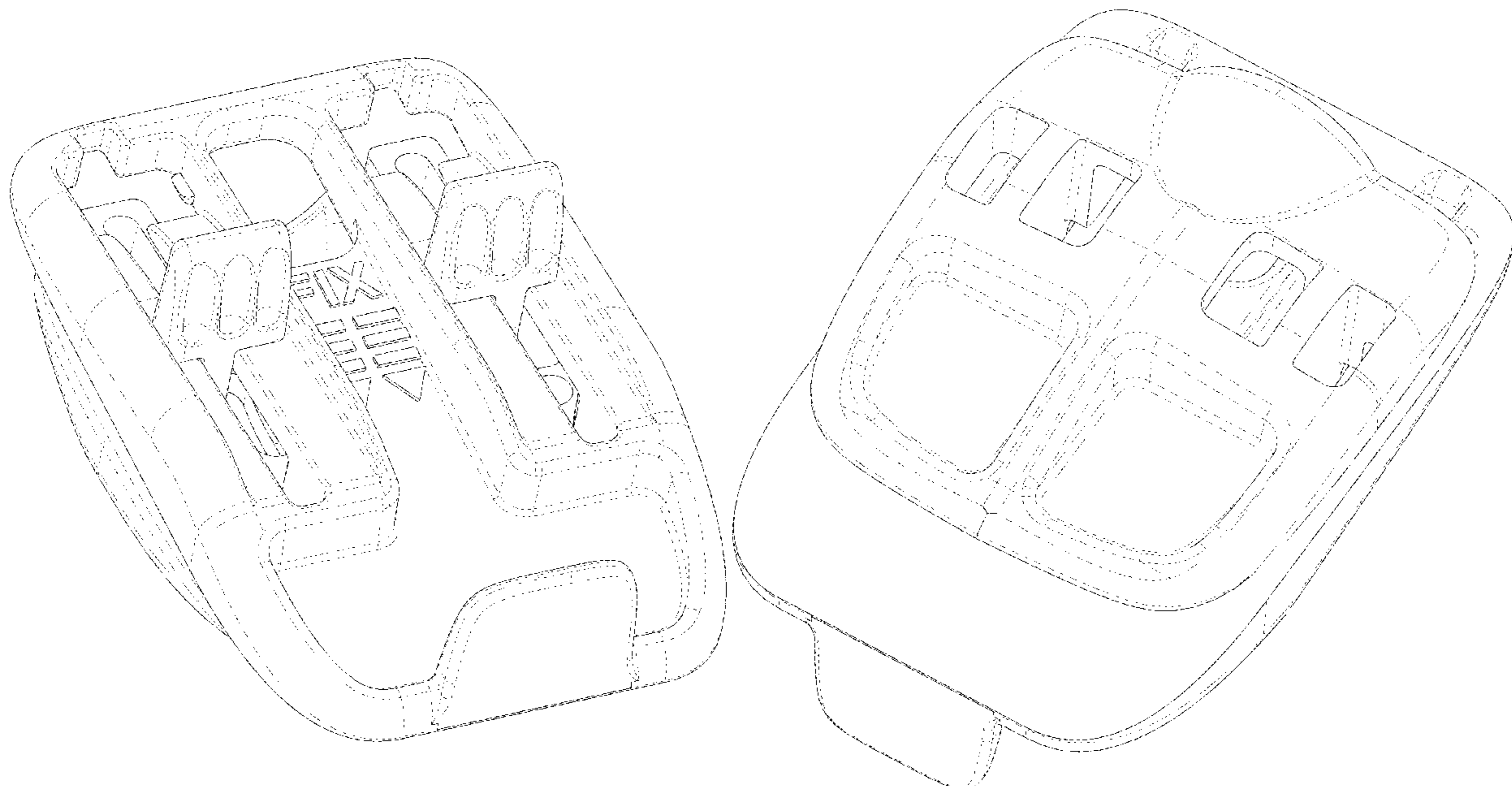
(57) **CLAIM**

The ornamental design for a curtain clamp, as shown and described.

DESCRIPTION

FIG. 1 is a top front perspective view of the curtain clamp showing the new design;
FIG. 2 is a top rear perspective view thereof;
FIG. 3 is a bottom rear perspective view thereof;
FIG. 4 is a bottom front perspective view thereof;
FIG. 5 is a bottom view thereof;
FIG. 6 is a top view thereof;
FIG. 7 is a right side view thereof;
FIG. 8 is a left side view thereof;
FIG. 9 is a front view thereof; and,
FIG. 10 is a rear view thereof.

1 Claim, 7 Drawing Sheets



(56)

References Cited

OTHER PUBLICATIONS

“EasyKlips Make DIY Tarps Much Easier”, Apr. 29, 2012, BrianGreen.net, site visited Oct. 6, 2021: <https://www.briangreen.net/bbb/2012/05/easyklips-make-diy-tarps-much-easier.html> (Year: 2012).*

“EONMIR Shower Curtain Clips”, Jul. 6, 2017, Amazon.com, site visited Oct. 6, 2021: <https://www.amazon.com/EONMIR-Windproof-Protect-Curtain-Adhesive/dp/B08221BCJC> (Year: 2017).*

* cited by examiner

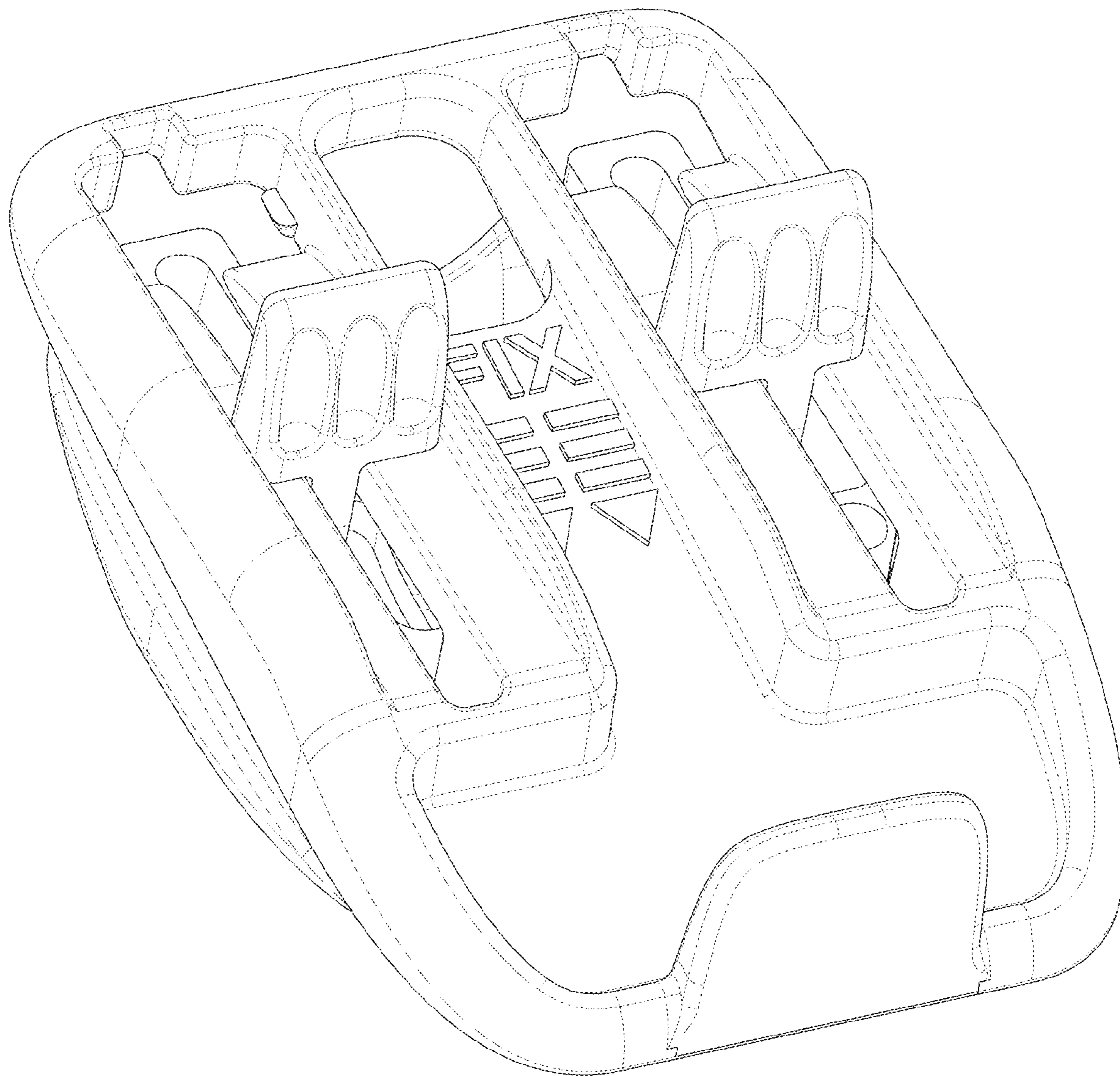


FIG. 1

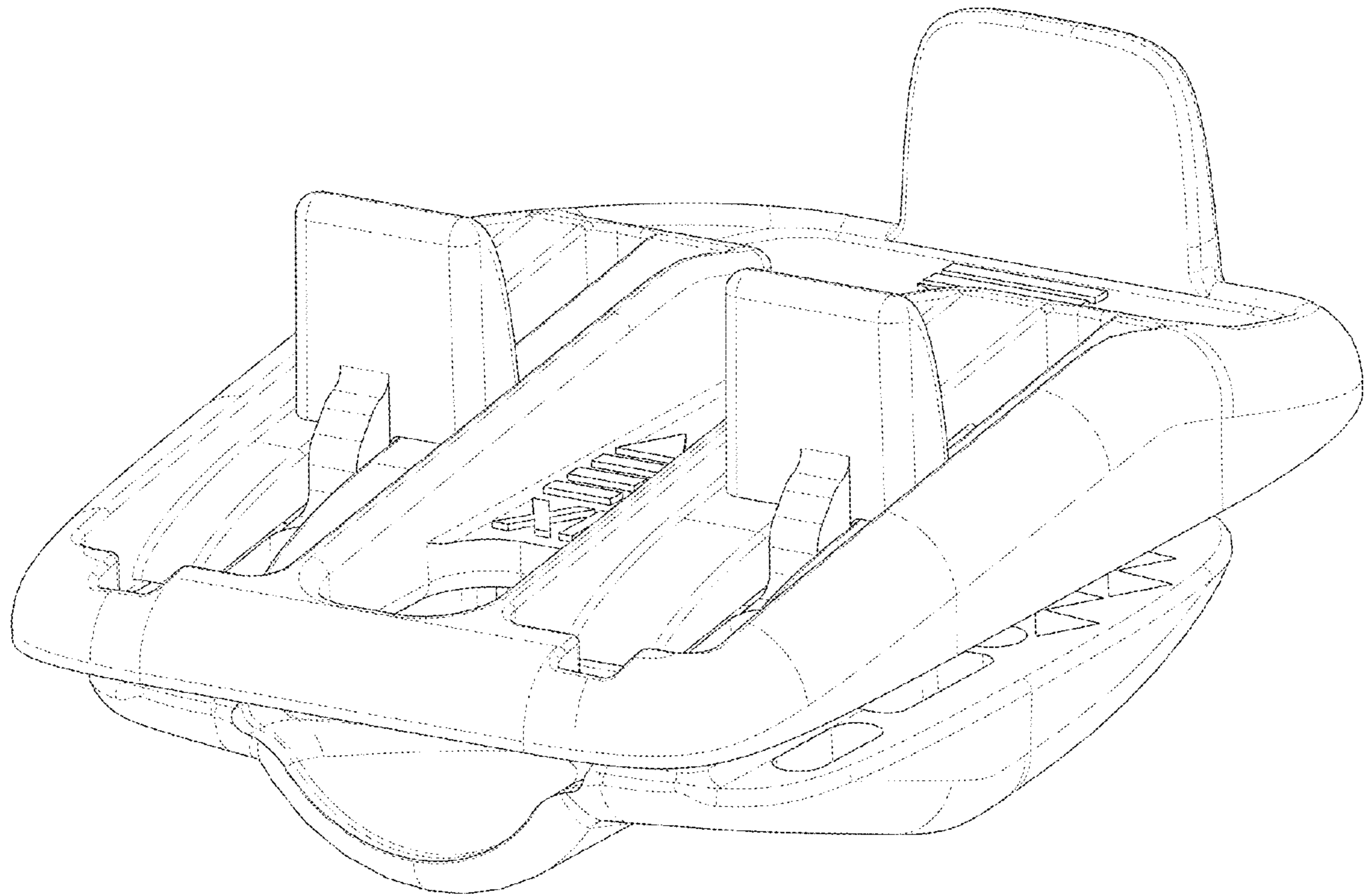


FIG. 2

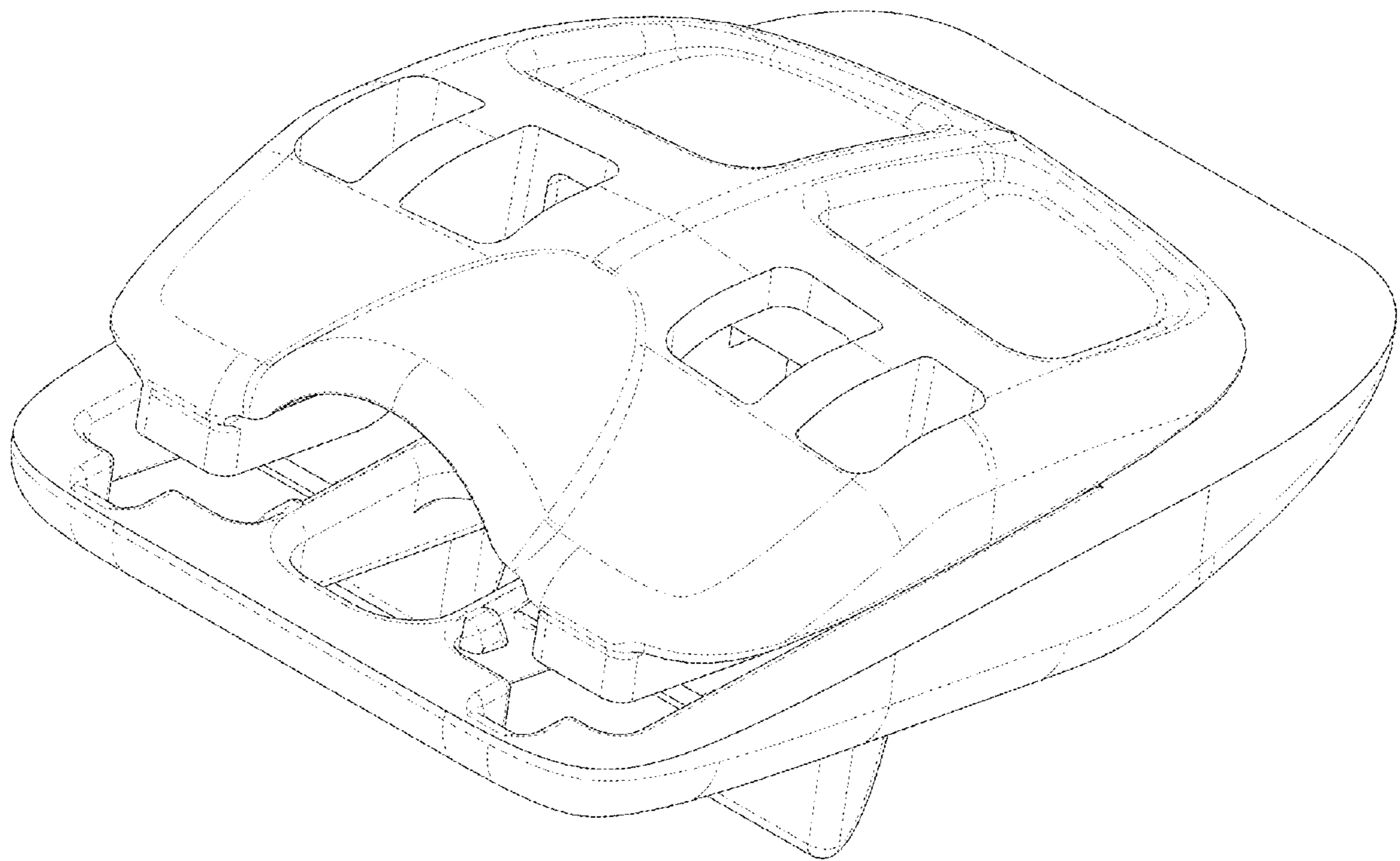


FIG. 3



FIG. 4

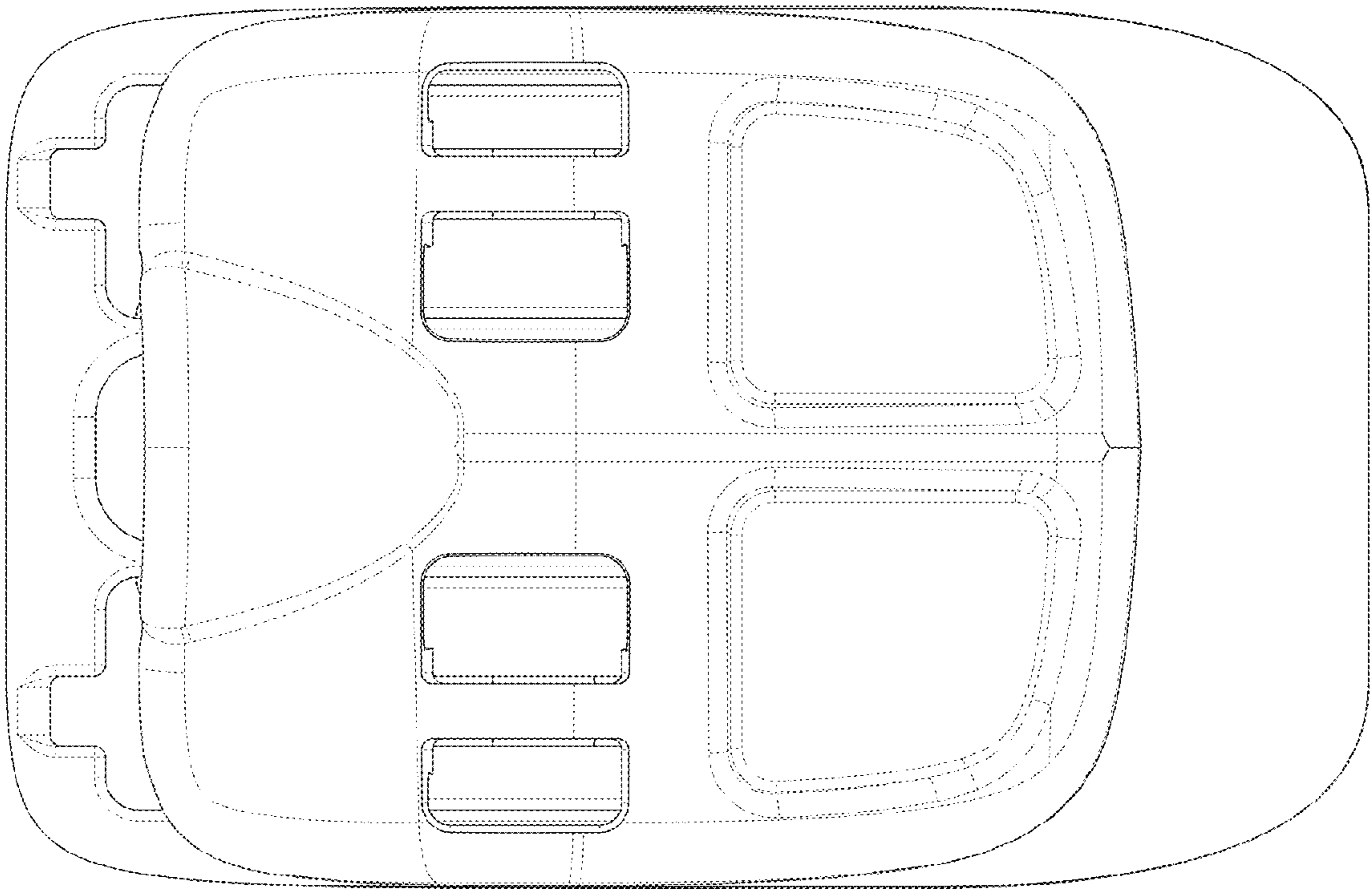


FIG. 5

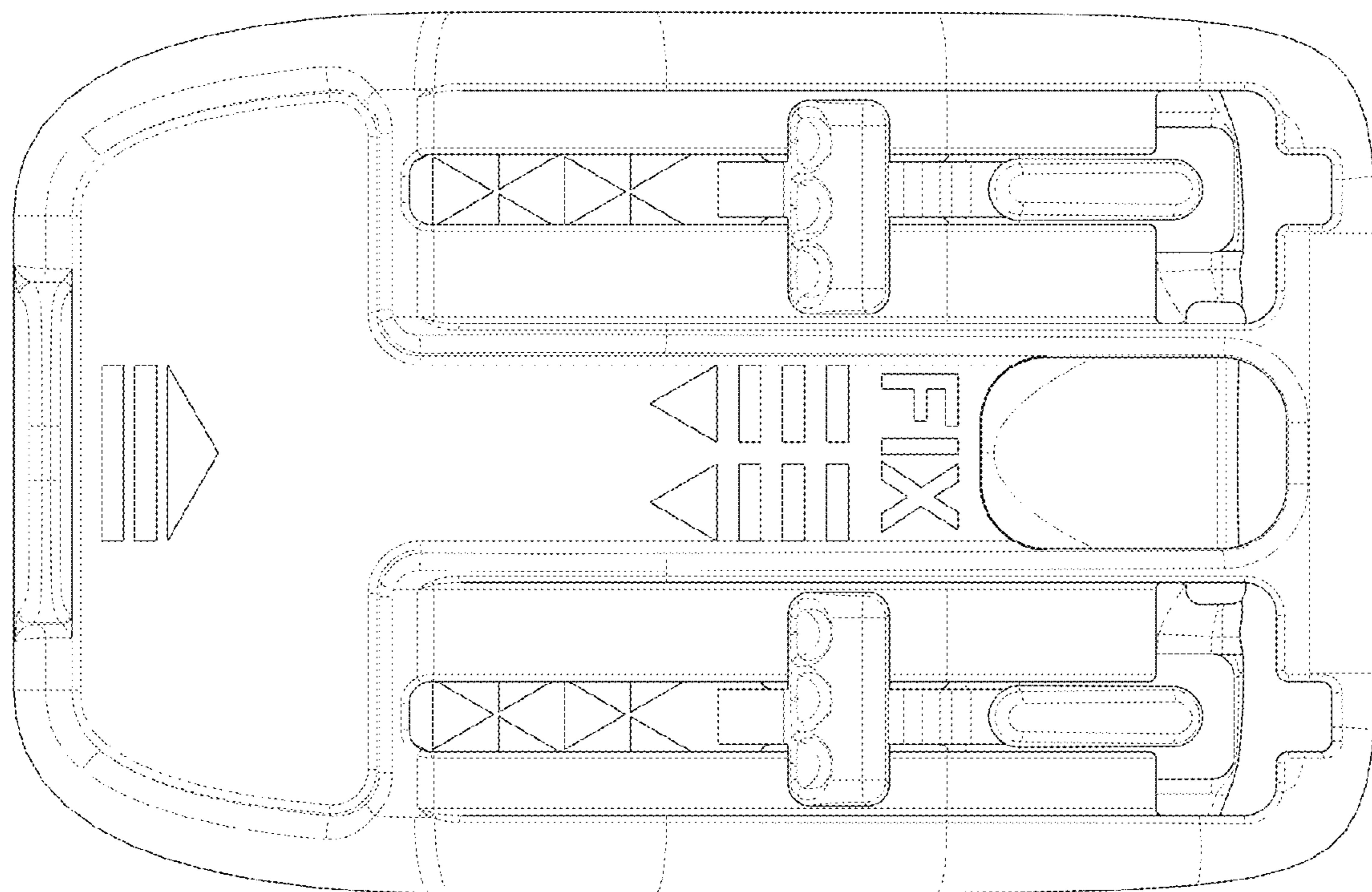


FIG. 6

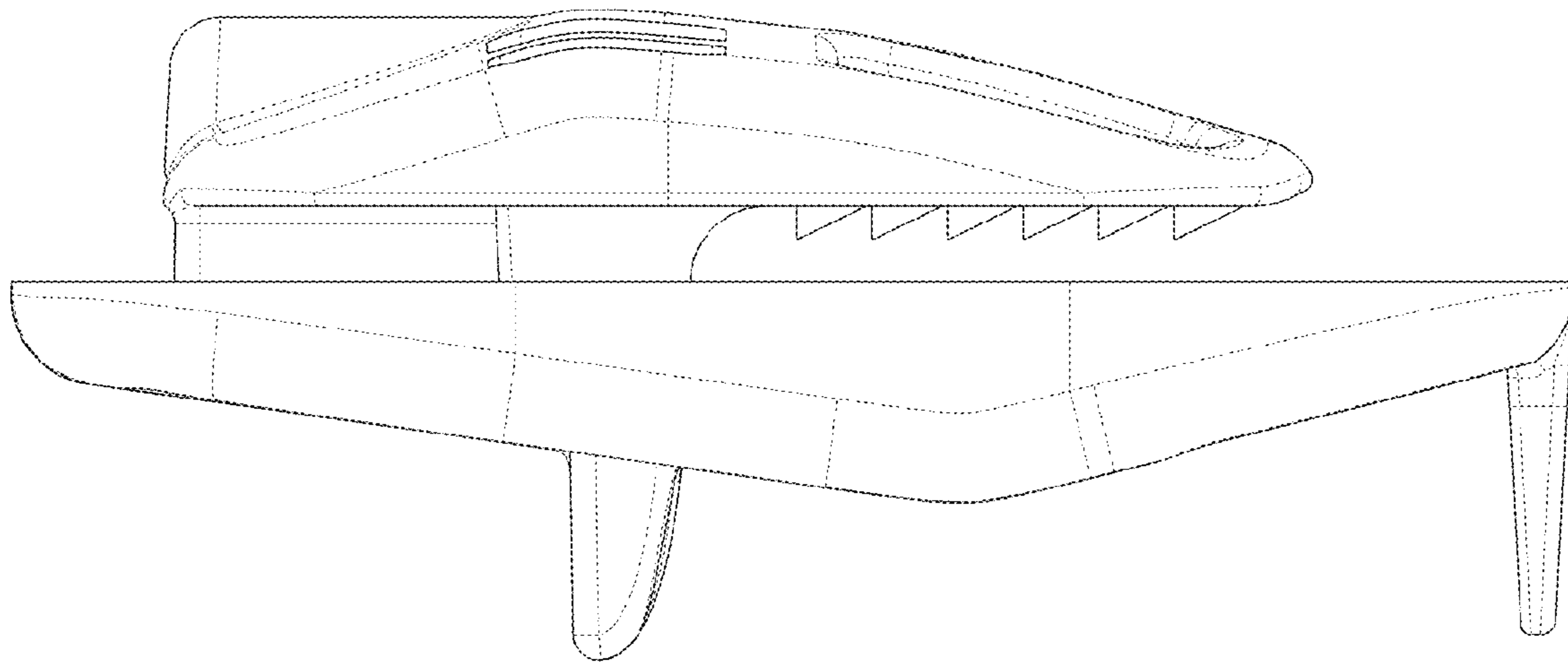


FIG. 7

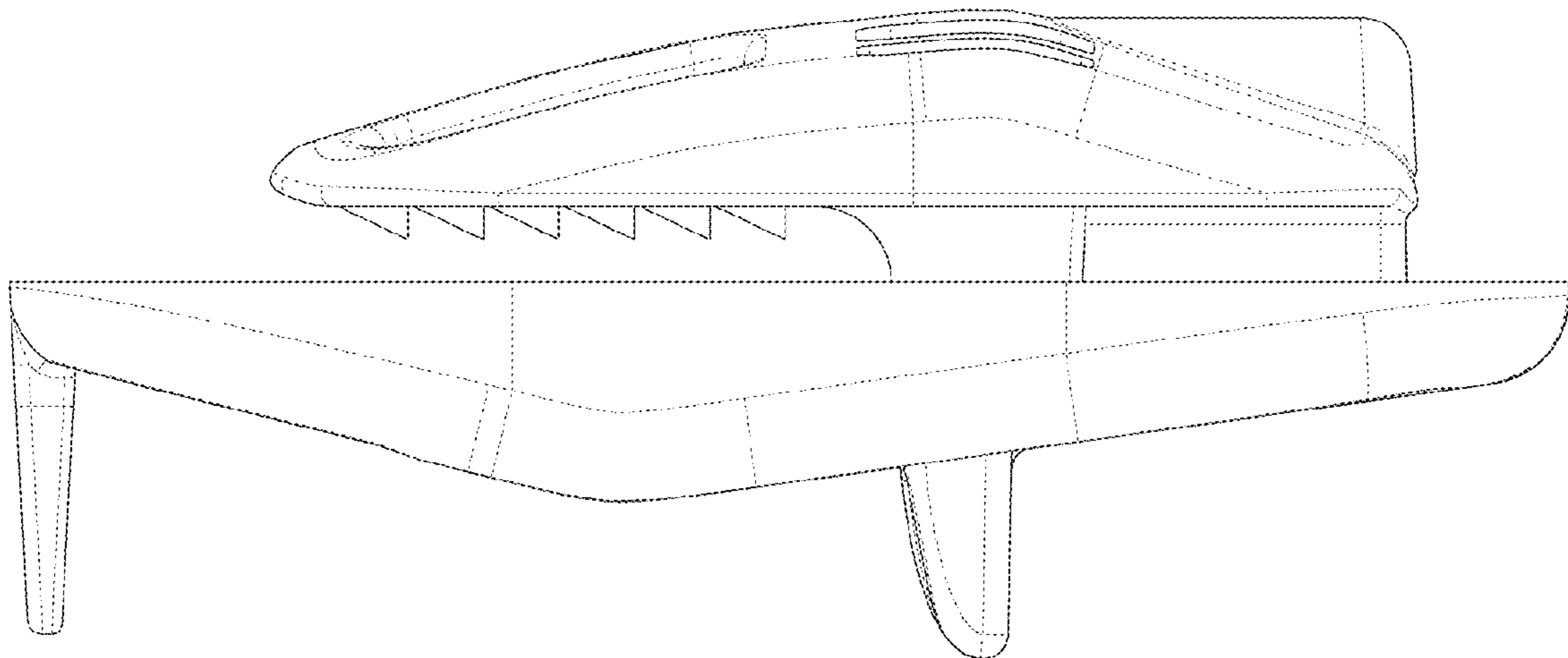


FIG. 8

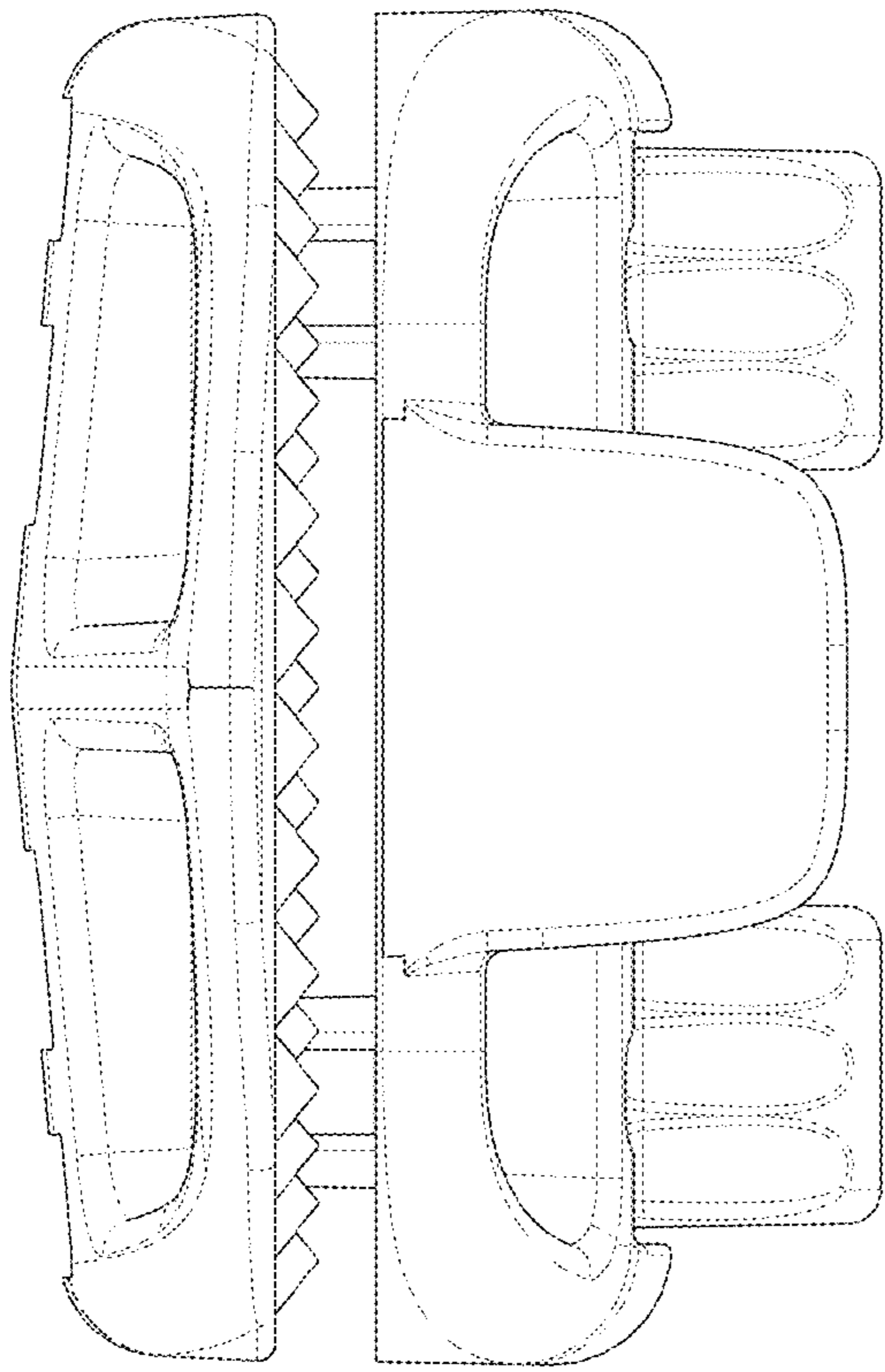


FIG. 9

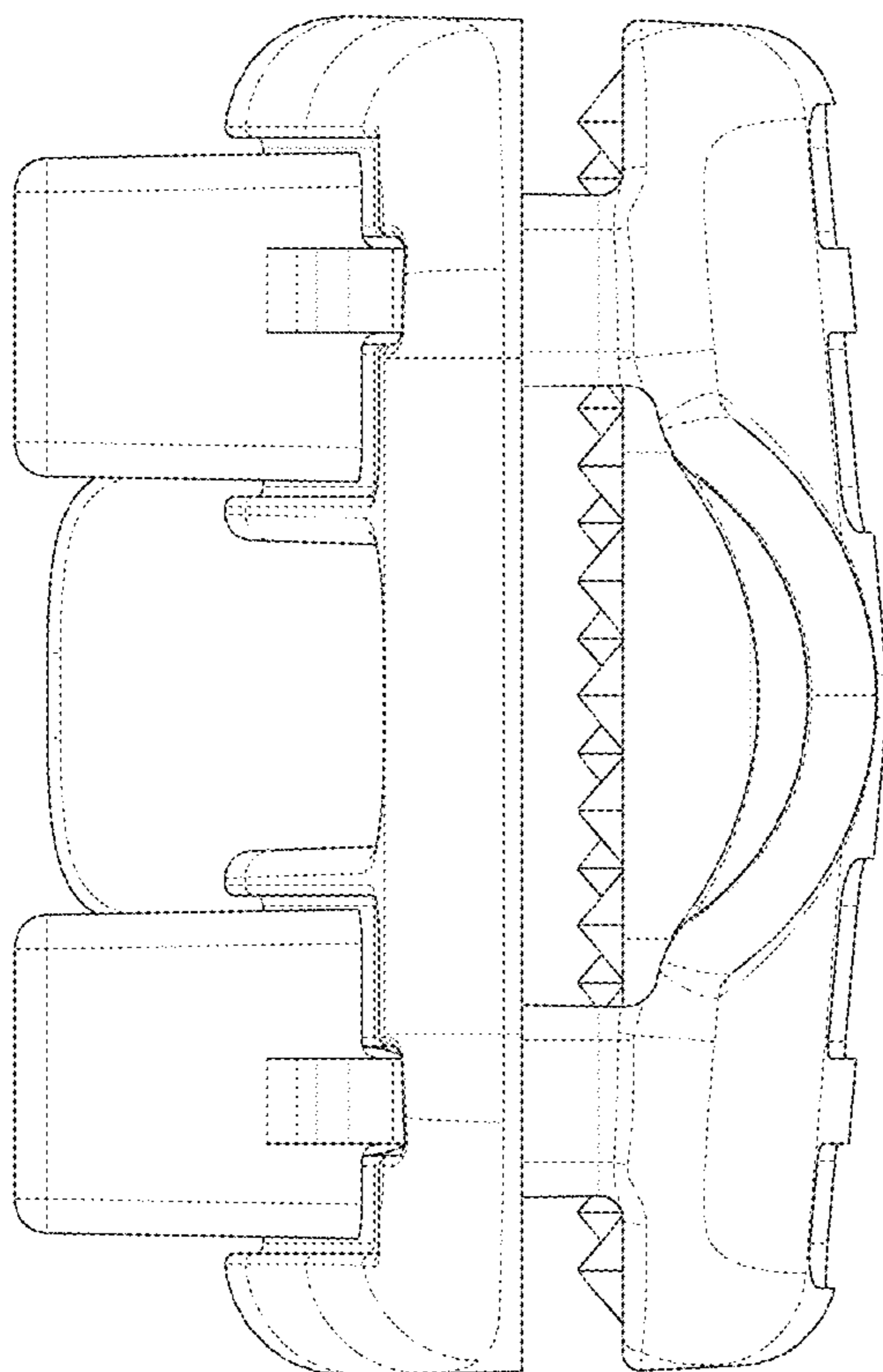


FIG. 10