



US00D945871S

(12) **United States Design Patent**
MacDonald

(10) **Patent No.:** **US D945,871 S**
(45) **Date of Patent:** **** Mar. 15, 2022**

- (54) **TRELLIS CONNECTOR**
- (71) Applicant: **Kevin MacDonald**, Rancho Mission Viejo, CA (US)
- (72) Inventor: **Kevin MacDonald**, Rancho Mission Viejo, CA (US)
- (**) Term: **15 Years**
- (21) Appl. No.: **35/001,856**
- (22) Filed: **May 20, 2020**
- (80) **Hague Agreement Data**
 Int. Filing Date: **May 20, 2020**
 Int. Reg. No.: **DM/209113**
 Int. Reg. Date: **May 20, 2020**
 Int. Reg. Pub. Date: **Nov. 20, 2020**
- (51) **LOC (13) Cl.** **08-08**
- (52) **U.S. Cl.**
USPC **D8/382**
- (58) **Field of Classification Search**
USPC D25/100, 101, 199; D8/354, 382;
D23/259, 269
CPC A01G 9/12
See application file for complete search history.

- 5,678,706 A * 10/1997 Husak A47B 47/005
211/189
- 5,862,625 A * 1/1999 Parker A01G 9/12
47/47
- D407,804 S * 4/1999 LeBel D23/263
- D453,553 S * 2/2002 Maerz D23/263
- D454,940 S * 3/2002 Hoenig D23/259
- D477,527 S * 7/2003 Bradford D8/382
- D592,492 S * 5/2009 Werschmidt D8/382
- 7,537,453 B2 * 5/2009 Morgan A47B 97/00
434/80
- D599,446 S * 9/2009 Price D23/262
- D630,305 S * 1/2011 Adams D23/259
- D686,573 S * 7/2013 Wu D13/130
- 8,919,284 B2 * 12/2014 Wolfe, Jr. A01K 1/0353
119/28.5
- D743,004 S * 11/2015 Knight D23/259
- D755,355 S * 5/2016 Knight D23/262
- 10,617,069 B2 * 4/2020 MacDonald A01G 9/12
- D905,832 S * 12/2020 Gray D23/266
- D926,295 S * 7/2021 Zhang D23/262

(Continued)

Primary Examiner — Deanna L Pratt
(74) *Attorney, Agent, or Firm* — Cionca IP Law P.C.;
Marin Cionca

(57) **CLAIM**

The ornamental design for a trellis connector, as shown and described.

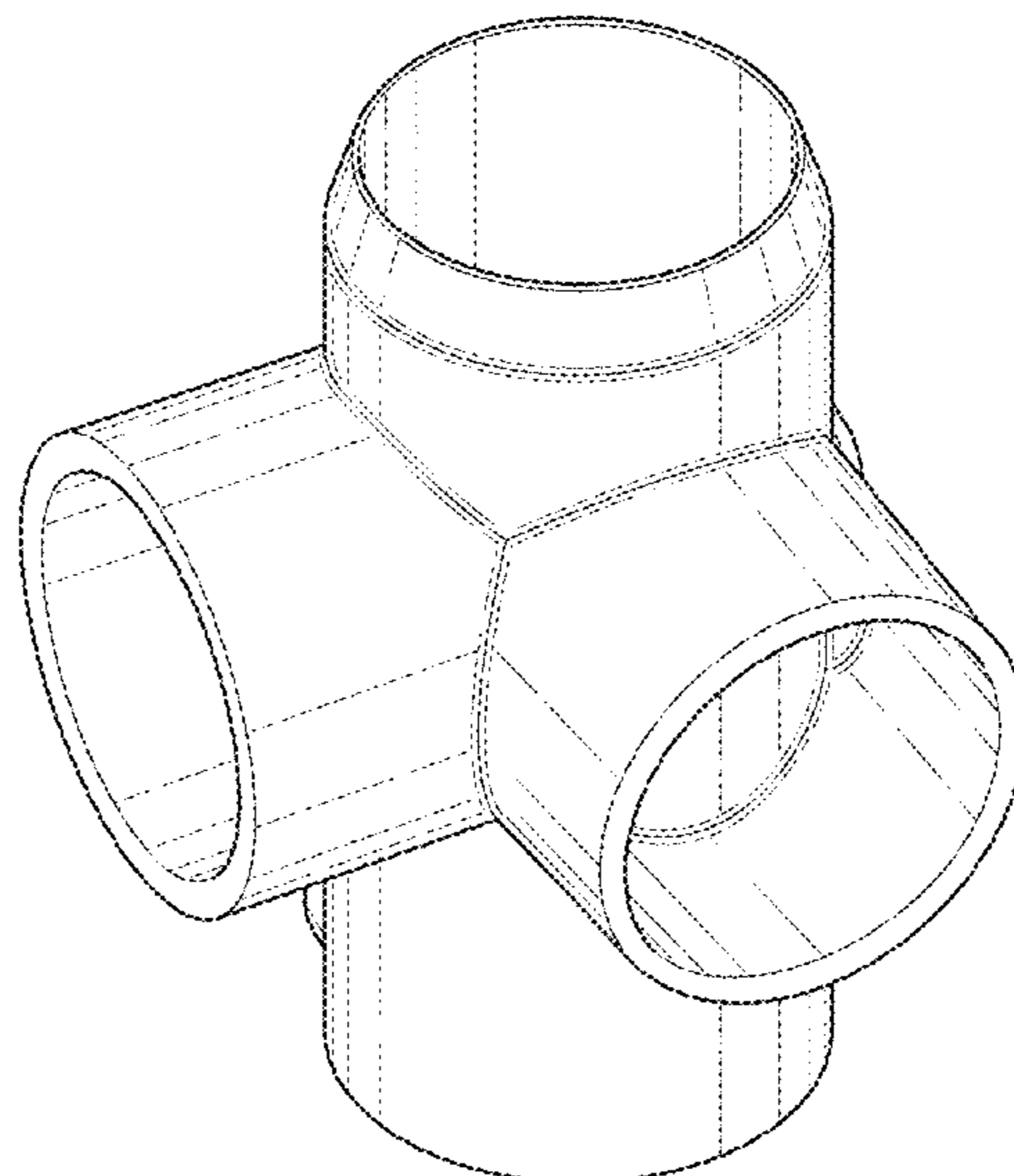
DESCRIPTION

- 1. Trellis connector
- 1.1 : Perspective
- 1.2 : Front
- 1.3 : Back
- 1.4 : Right
- 1.5 : Left
- 1.6 : Top
- 1.7 : Bottom

The trellis connector in which the claimed design is embodied may be used to connect trellis poles.

1 Claim, 7 Drawing Sheets

- (56) **References Cited**
U.S. PATENT DOCUMENTS
- 2,839,320 A * 6/1958 Hill F16B 7/04
403/172
- 3,859,767 A * 1/1975 Aspenwall F16B 7/0446
52/280
- D304,904 S * 12/1989 Kercher D8/380
- 5,150,980 A * 9/1992 Lin A47C 19/128
403/174
- D337,959 S * 8/1993 Lawhon D10/103
- D343,889 S * 2/1994 Stonecypher D23/263
- D364,554 S * 11/1995 Seo D8/382
- D381,573 S * 7/1997 Sabounjian D8/382



(56)

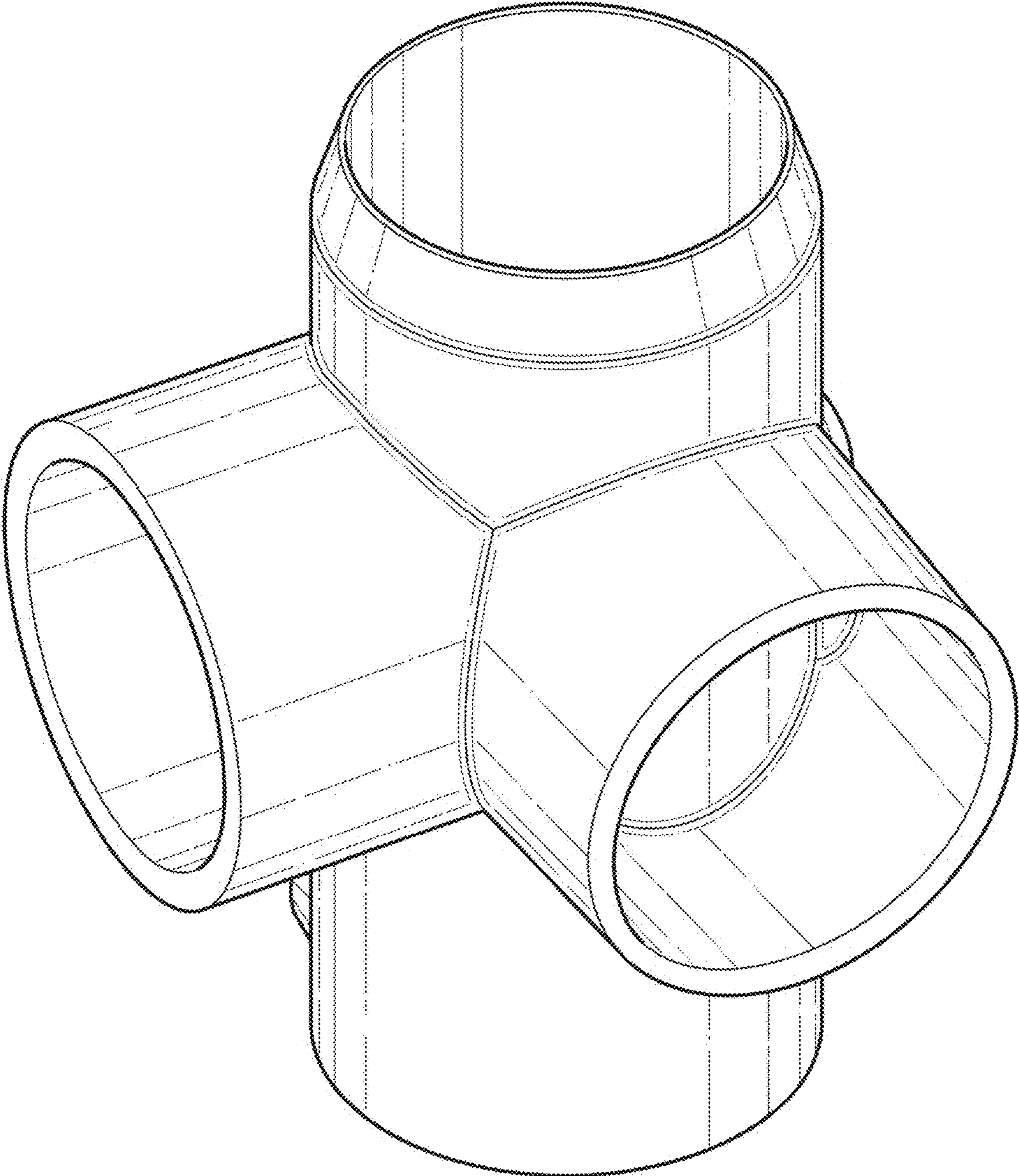
References Cited

U.S. PATENT DOCUMENTS

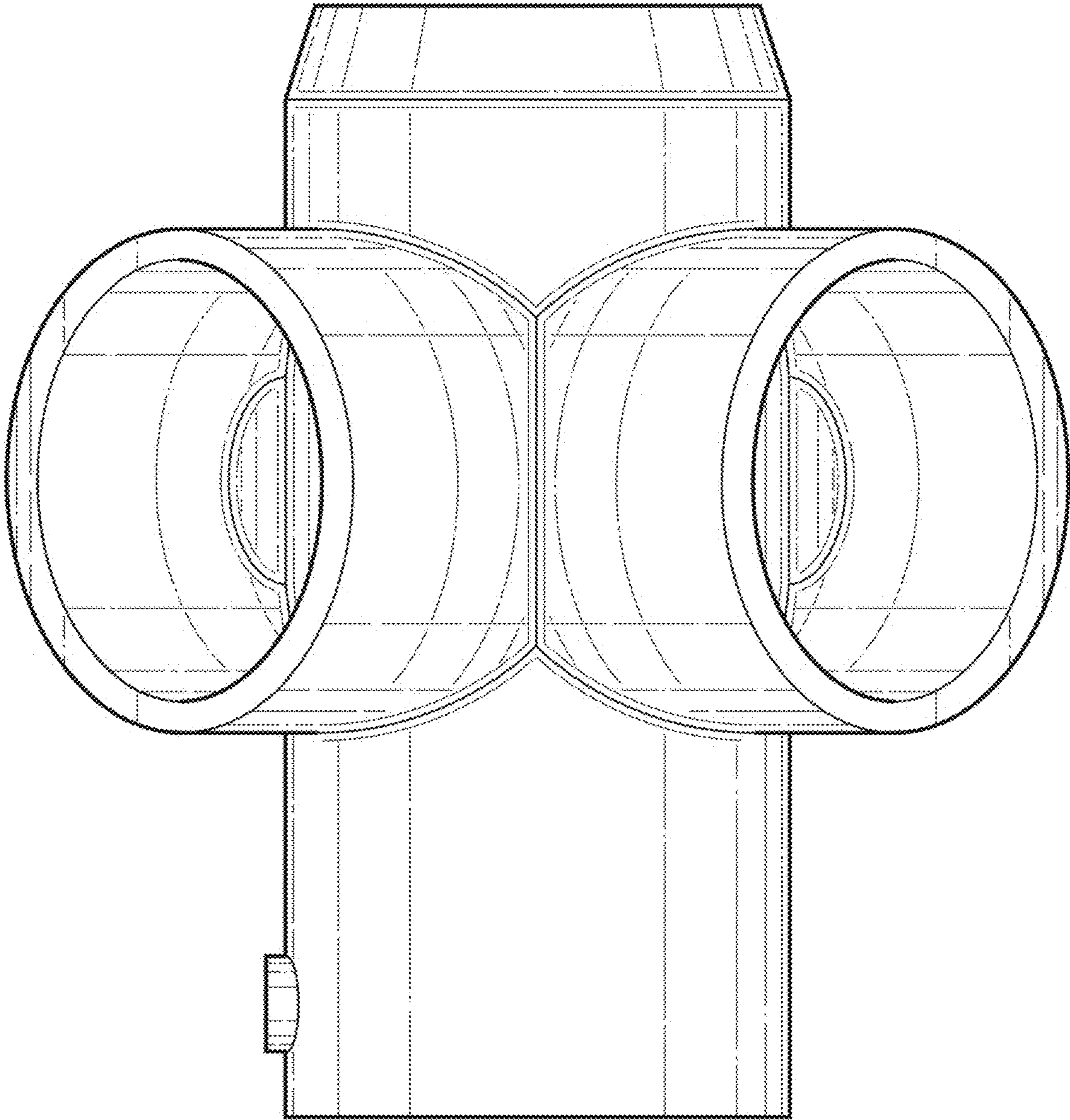
D932,112 S * 9/2021 Huthmaker D30/160
2017/0325415 A1 * 11/2017 MacDonald A01G 9/12

* cited by examiner

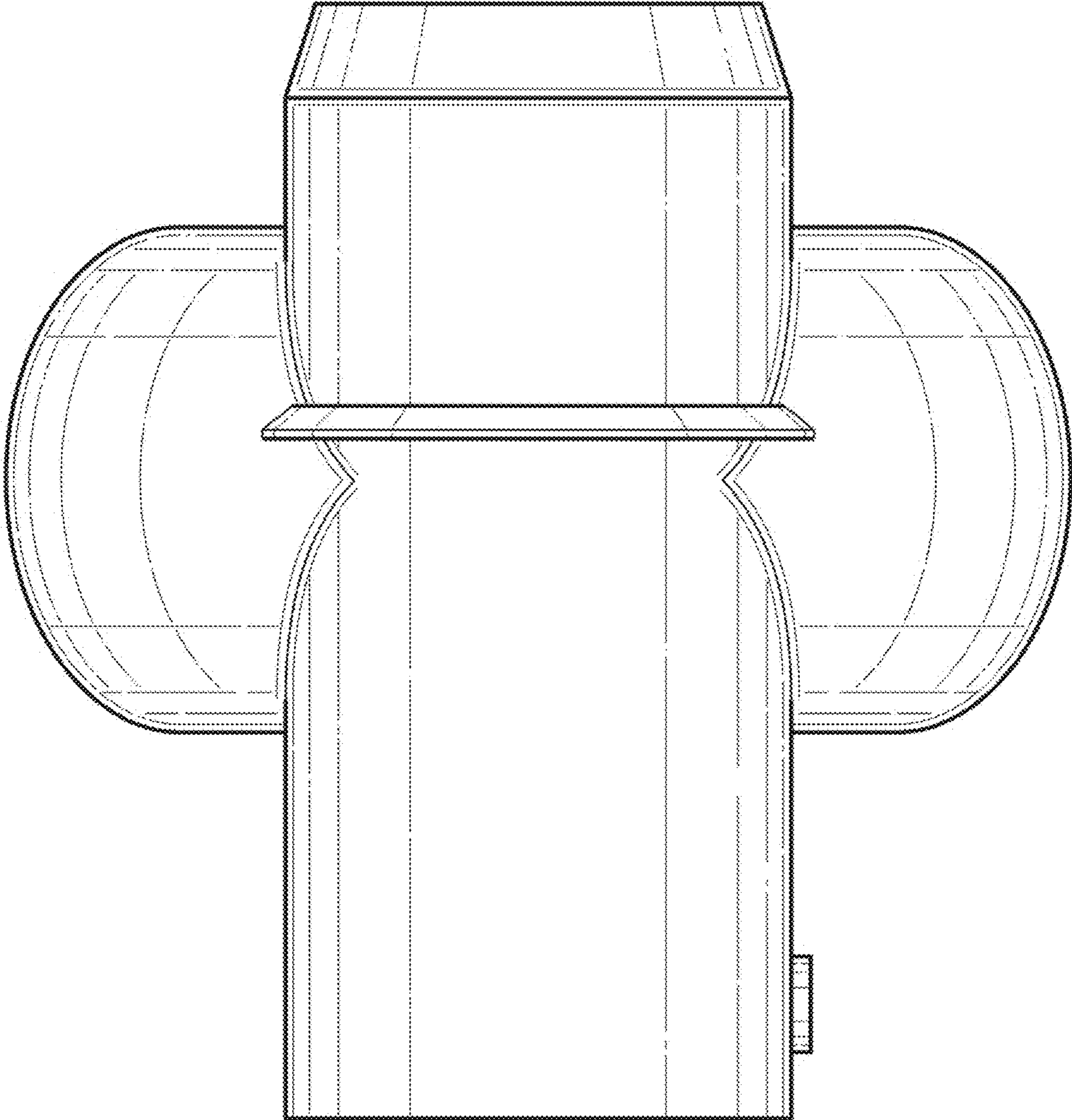
1.1



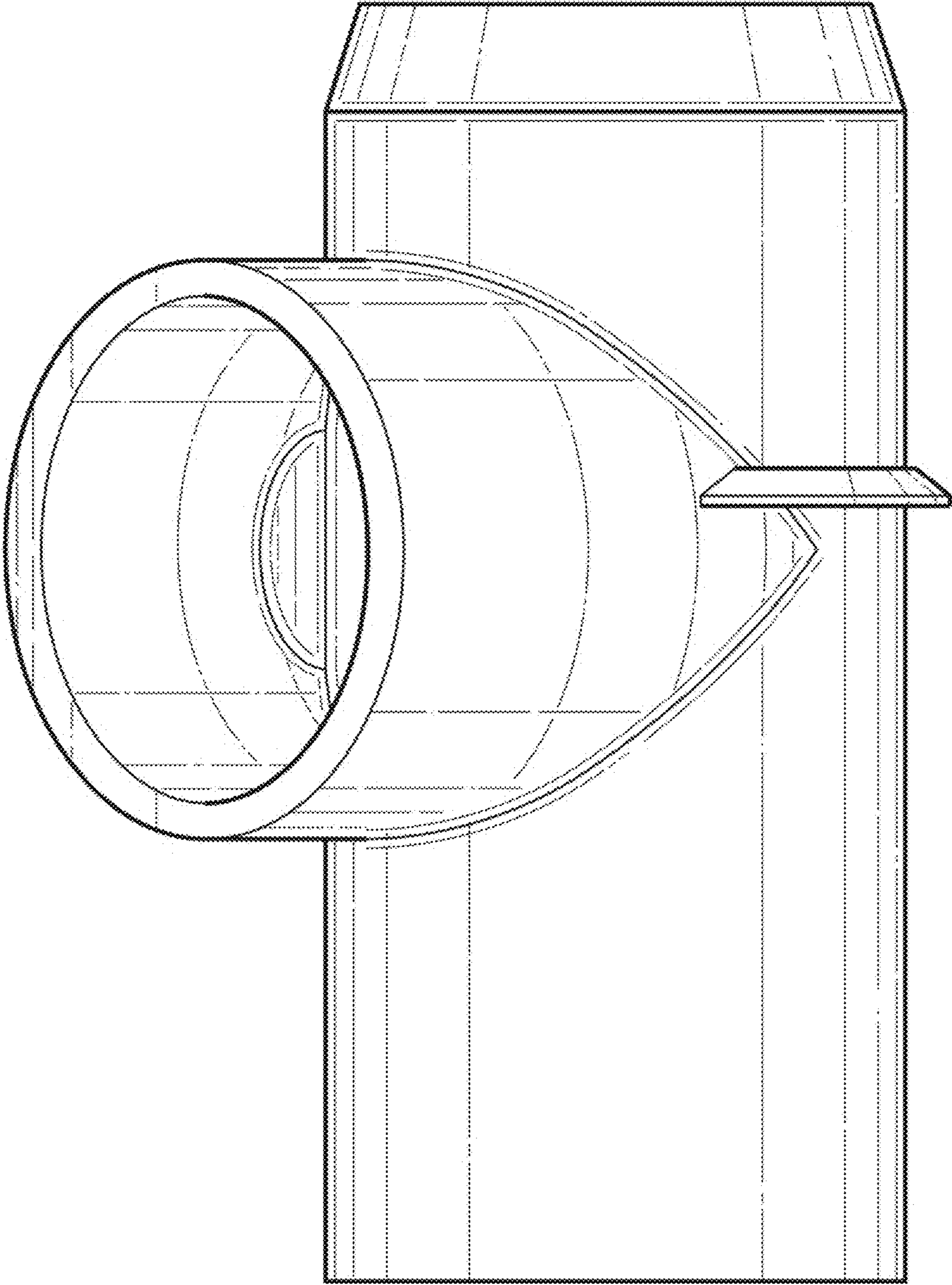
1.2



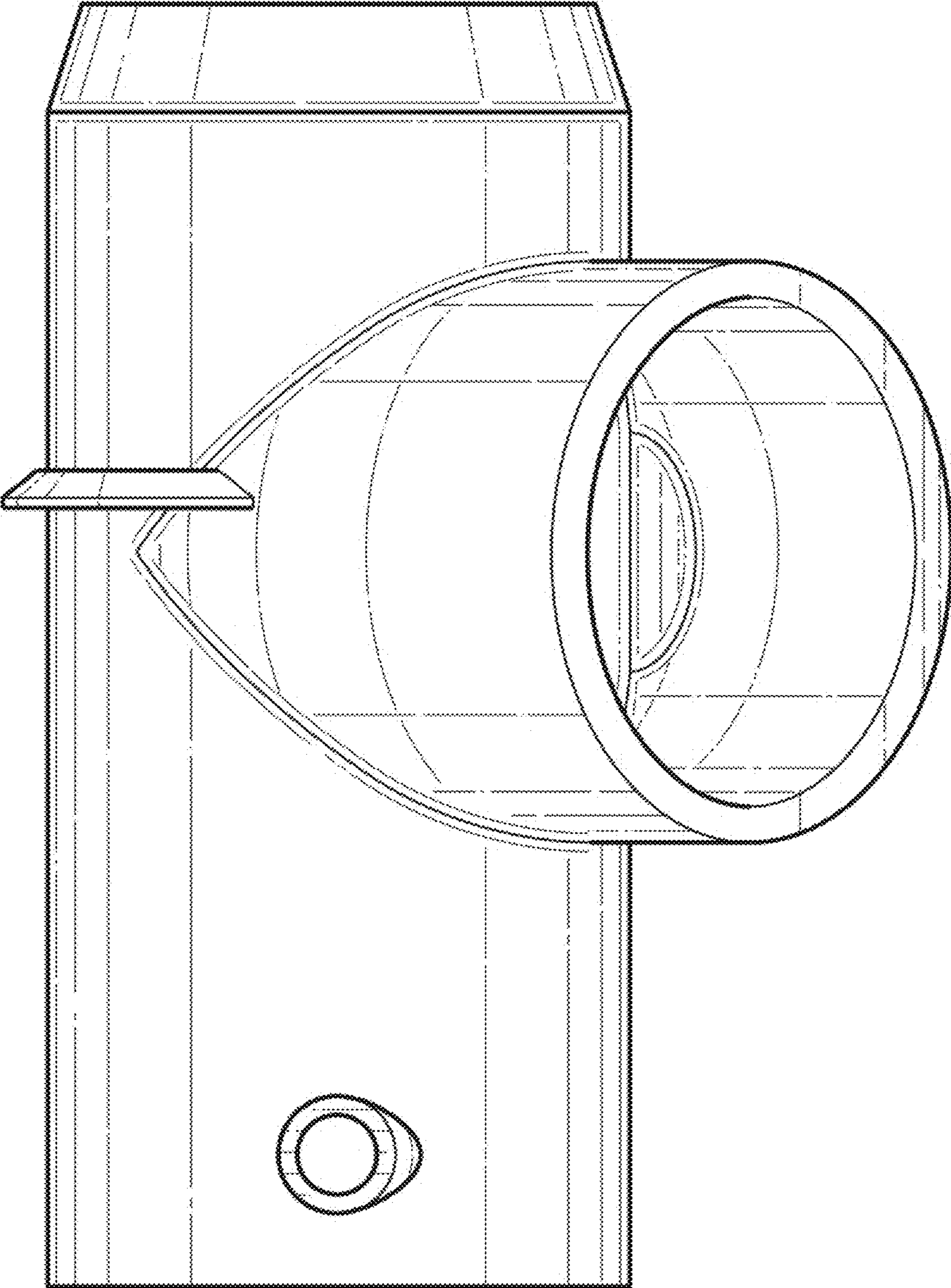
1.3



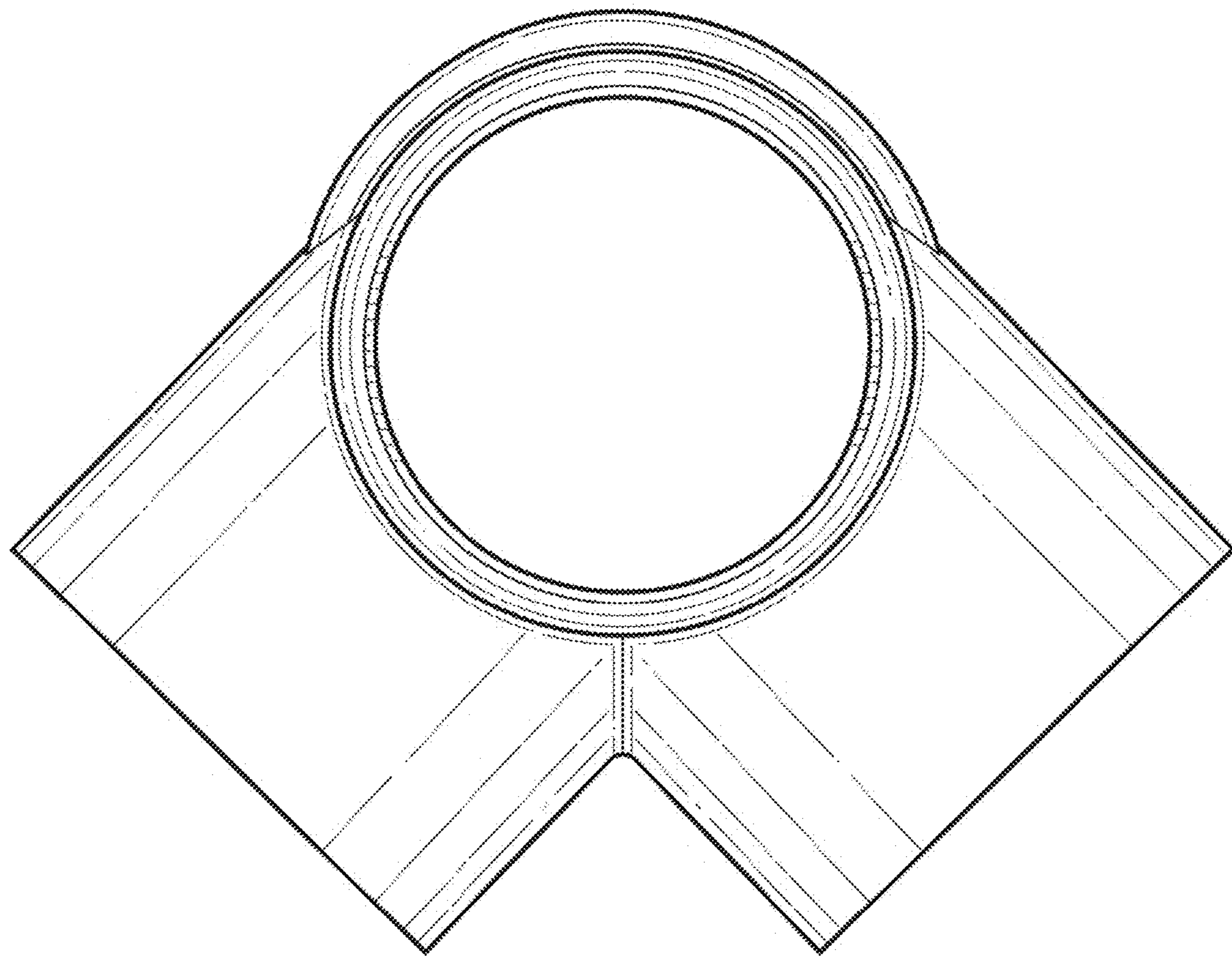
1.4



1.5



1.6



1.7

