

US00D945870S

(12) **United States Design Patent** (10) **Patent No.:** **US D945,870 S**
Vandenberg (45) **Date of Patent:** **** Mar. 15, 2022**

(54) **FASTENER POSITIONING DEVICE**

1,879,459 A 9/1932 Pelton
1,888,611 A 11/1932 Wolfson
2,065,525 A 12/1936 Hamilton
2,066,813 A 1/1937 Williams
(Continued)

(71) Applicant: **National Nail Corp.**, Grand Rapids, MI (US)

(72) Inventor: **Roger A. Vandenberg**, Hudsonville, MI (US)

FOREIGN PATENT DOCUMENTS

(73) Assignee: **National Nail Corp.**, Grand Rapids, MI (US)

CA 1242601 10/1988
CA 2277586 7/2000
(Continued)

(**) Term: **15 Years**

OTHER PUBLICATIONS

(21) Appl. No.: **29/758,604**

DeckLock Limited Universal Decking Spacers, downloaded from <http://www.hellotrade.com/decklock/universal-decking-spacers.html> (viewed Jun. 8, 2017).

(22) Filed: **Nov. 17, 2020**

(51) **LOC (13) Cl.** **08-08**

(Continued)

(52) **U.S. Cl.**
USPC **D8/382**

Primary Examiner — Mark A Goodwin

(58) **Field of Classification Search**
USPC D8/382, 349, 354, 373, 374, 380, 394, D8/395, 398, 399

(74) *Attorney, Agent, or Firm* — Warner Norcross + Judd LLP

CPC E04F 15/02; E04F 15/04; E04F 15/02183; E04F 2015/02088; E04F 2015/02094; E04F 2201/05; E04F 2015/02116; E04F 2015/02122; E04F 2015/02077; Y10T 403/4602; Y10T 403/553; Y10T 403/75; F16B 5/002

(57) **CLAIM**

The ornamental design for a fastener positioning device, as shown and described.

See application file for complete search history.

DESCRIPTION

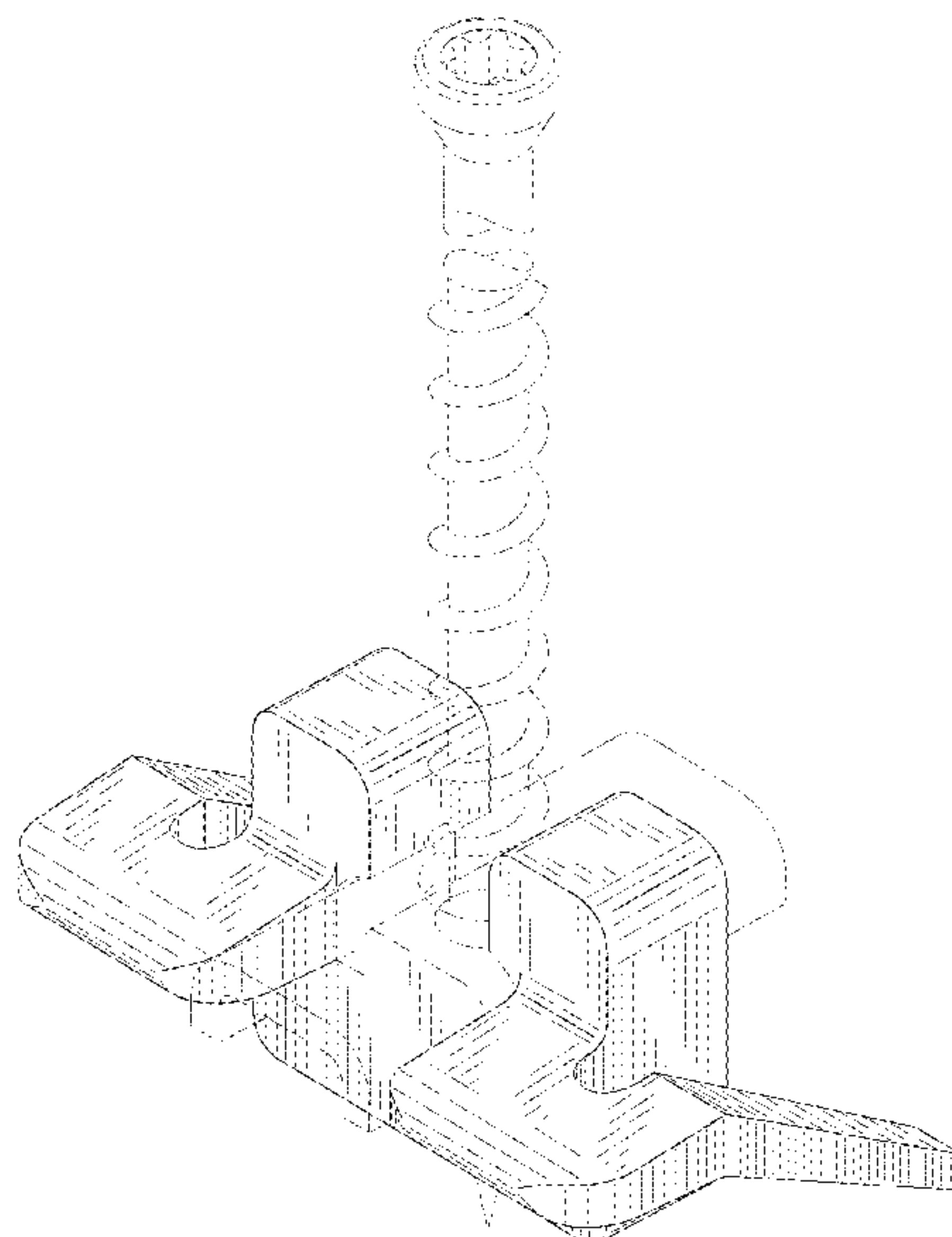
FIG. 1 is an upper perspective view of the fastener positioning device embodying the new design; FIG. 2 is a front view thereof; FIG. 3 is a rear view thereof; FIG. 4 is a right side view thereof, the left side being a mirror view thereof; FIG. 5 is a top view thereof; and, FIG. 6 is a bottom view thereof. FIGS. 1-6 show broken lines that do not form any part of the claimed design. The broken lines immediately adjacent the solid line portions of the design form the boundary of the design, with the broken lines forming no part of the claimed design.

(56) **References Cited**

U.S. PATENT DOCUMENTS

126,366 A 4/1872 Wills
137,414 A 4/1873 Burdick
138,784 A 5/1873 Bourn
186,463 A 1/1877 Dickinson
411,202 A 9/1889 Rose
876,399 A 1/1908 Robinson
877,831 A 1/1908 Creedon
984,323 A 2/1911 Vauclain
1,714,738 A 5/1929 Smith

1 Claim, 5 Drawing Sheets



(56)

References Cited

U.S. PATENT DOCUMENTS

2,116,737 A	5/1938	Urbain	5,341,706 A	8/1994	Takagi
2,129,975 A	9/1938	Urbain	5,351,586 A	10/1994	Habermehl et al.
2,129,976 A	9/1938	Urbain et al.	5,394,667 A	3/1995	Nystrom
2,325,766 A	8/1943	Gisoni	5,452,630 A	9/1995	Haas et al.
2,338,870 A	1/1944	Praeger	5,469,767 A	11/1995	Habermehl
2,620,705 A	12/1952	Podvinecz et al.	5,531,142 A	7/1996	Adamo
2,774,969 A	12/1956	Samples	5,531,143 A	7/1996	Habermehl et al.
2,994,878 A	8/1961	Abrahamsen	5,568,753 A	10/1996	Habermehl et al.
3,010,496 A	11/1961	Bruce	5,570,618 A	11/1996	Habermehl et al.
3,012,247 A	12/1961	Sillars et al.	5,660,016 A	8/1997	Erwin et al.
3,020,602 A	2/1962	Siering	5,687,624 A	11/1997	Tsuge et al.
3,080,021 A	3/1963	Muir	D391,135 S	2/1998	Habermehl et al.
3,177,755 A	4/1965	Kahn	5,839,332 A	11/1998	Fujiyama et al.
3,207,023 A	9/1965	Knohl	5,842,319 A	12/1998	Ravetto
3,237,360 A	3/1966	Mills	5,871,486 A	2/1999	Huebner et al.
3,267,630 A	8/1966	Omholt	5,884,541 A	3/1999	Habermehl et al.
3,284,117 A	11/1966	Meehan	5,904,079 A	5/1999	Tsuge et al.
3,316,949 A	5/1967	Canfield	5,918,512 A	7/1999	Habermehl et al.
3,331,180 A	7/1967	Vissing et al.	5,927,163 A	7/1999	Habermehl et al.
3,357,295 A	12/1967	Smith	5,934,162 A	8/1999	Habermehl
3,360,176 A	12/1967	Gehl et al.	5,988,025 A	11/1999	Sasaki et al.
3,439,464 A	4/1969	Omholt	5,997,209 A	12/1999	Sachs
3,553,919 A	1/1971	Omholt	6,027,004 A	2/2000	Ramella et al.
3,577,694 A	5/1971	Omholt	6,036,398 A	3/2000	Theodorou
3,619,963 A	11/1971	Omholt	D427,050 S	6/2000	Bryan
3,713,264 A	1/1973	Morgan, Jr.	6,089,132 A	7/2000	Habermehl
3,738,218 A	6/1973	Gutshall	6,098,442 A	8/2000	Walldorf et al.
3,760,547 A	9/1973	Brenneman	6,108,992 A	8/2000	Shaw
3,942,405 A	3/1976	Wagner	6,109,144 A	8/2000	Muro
4,018,254 A	4/1977	DeCaro	6,109,146 A	8/2000	Muro
4,023,831 A	5/1977	Thompson	6,147,484 A	11/2000	Smith
4,068,554 A	1/1978	Hirabayashi	6,158,939 A	12/2000	Grossbemd et al.
4,117,644 A	10/1978	Weinar	6,230,385 B1	5/2001	Nelson
4,123,186 A	10/1978	Hoadley	6,244,140 B1	6/2001	Habermehl
4,125,006 A	11/1978	Bueche'	6,296,433 B1	10/2001	Forsell et al.
4,125,972 A	11/1978	Pate	D450,568 S	11/2001	Sachs
4,146,071 A	3/1979	Mueller et al.	6,314,699 B1	11/2001	West
4,154,172 A	5/1979	Curtis, Jr.	6,322,307 B1	11/2001	Glover
4,170,430 A	10/1979	Mrotzek	6,328,516 B1	12/2001	Hettich
4,209,275 A	6/1980	Kim	6,332,741 B1	12/2001	Janusz
4,241,638 A	12/1980	Shimizu et al.	6,345,940 B2	2/2002	Anjanappa et al.
4,266,914 A	5/1981	Dickinson	6,394,712 B1	5/2002	Weinstein et al.
4,281,494 A	8/1981	Weinar	6,416,269 B1	7/2002	Martel et al.
4,296,580 A	10/1981	Weinar	6,418,681 B1	7/2002	Dunks
4,323,326 A	4/1982	Okada et al.	6,418,693 B2	7/2002	Ballard
4,329,099 A	5/1982	Shimizu et al.	6,425,306 B1	7/2002	Habermehl
4,333,286 A	6/1982	Weinar	6,439,085 B1	8/2002	Habermehl et al.
4,435,935 A	3/1984	Larrea	6,453,780 B2	9/2002	Habermehl
4,439,077 A	3/1984	Godsted	6,470,641 B1	10/2002	Faure
4,448,007 A	5/1984	Adams	6,481,937 B1	11/2002	Sommerfeld et al.
4,467,579 A	8/1984	Weinar	6,484,467 B2	11/2002	Crout
4,498,272 A	2/1985	Adams	6,490,838 B2	12/2002	Summerford
4,572,720 A	2/1986	Rockenfeller et al.	D469,007 S	1/2003	Chen et al.
4,586,862 A	5/1986	Yamasaki	6,514,026 B1	2/2003	Gerhard
4,616,462 A	10/1986	Abendroth	6,592,015 B1	7/2003	Gostylla et al.
4,625,597 A	12/1986	Cast	6,594,961 B2	7/2003	Leines
4,653,244 A	3/1987	Farrell	6,601,480 B1	8/2003	Habermehl
4,701,066 A	10/1987	Beam et al.	6,604,901 B1	8/2003	Grossberndt et al.
4,703,601 A	11/1987	Abendroth	6,623,228 B1	9/2003	Hettich et al.
D295,496 S	5/1988	Burke et al.	6,647,638 B1	11/2003	Doyal
4,776,144 A	10/1988	Pardo	6,651,398 B2	11/2003	Gregor
4,831,808 A	5/1989	Wynar	6,651,400 B1	11/2003	Murphy
4,834,602 A	5/1989	Takasaki	6,666,638 B2	12/2003	Craven
4,844,651 A	7/1989	Partridge	6,675,545 B2	1/2004	Chen et al.
4,925,141 A	5/1990	Classen	6,711,864 B2	3/2004	Erwin
5,015,134 A	5/1991	Gotoh	6,763,643 B1	7/2004	Martensson
5,064,324 A	11/1991	Ragaller	6,769,332 B2	8/2004	Muro
5,074,089 A	12/1991	Kemmer et al.	6,843,402 B2	1/2005	Sims et al.
5,083,483 A	1/1992	Takagi	6,871,467 B2	3/2005	Hafner
5,184,497 A	2/1993	Hanlon et al.	6,887,023 B1	5/2005	Lu et al.
5,188,496 A	2/1993	Giannuzzi	6,915,724 B2	7/2005	Kigel et al.
5,271,670 A	12/1993	Grabber	6,941,635 B2	9/2005	Craven
5,282,708 A	2/1994	Giannuzzi	6,941,847 B2	9/2005	Habermehl et al.
5,322,396 A	6/1994	Blacker	6,986,934 B2	1/2006	Chen et al.
5,337,635 A	8/1994	Habermehl	6,993,875 B2	2/2006	Rudduck
			7,037,059 B2	5/2006	Dicke
			7,044,460 B2	5/2006	Bolton
			7,052,200 B2	5/2006	Harris
			7,073,303 B2	7/2006	Baker

(56)

References Cited

U.S. PATENT DOCUMENTS

7,090,453 B2	8/2006	Lin		9,216,541 B2	12/2015	Boo et al.	
7,156,600 B2	1/2007	Panasik et al.		9,222,267 B2	12/2015	Bergelin et al.	
7,165,481 B2	1/2007	Kikuchi		9,238,917 B2	1/2016	Pervan et al.	
7,168,213 B2	1/2007	Rudduck et al.		9,260,870 B2	2/2016	Vermeulen et al.	
7,231,854 B2	6/2007	Kikuchi		9,347,469 B2	5/2016	Pervan et al.	
D547,169 S *	7/2007	Harris	D8/382	9,347,470 B2	5/2016	Maertens et al.	
D557,130 S	12/2007	Kashikura et al.		9,366,036 B2	6/2016	Pervan	
D557,131 S	12/2007	Liu		9,388,584 B2	7/2016	Pervan et al.	
D564,871 S *	3/2008	Pitcher	D8/395	9,428,919 B2	8/2016	Pervan et al.	
7,344,057 B2	3/2008	Dion et al.		9,458,634 B2	10/2016	Derelev	
D567,644 S	4/2008	Liu		9,476,208 B2	10/2016	Vermeulen et al.	
D568,147 S *	5/2008	Prichard, Jr.	D8/382	9,822,809 B2	11/2017	Shadwell et al.	
7,398,623 B2	7/2008	Martel et al.		9,874,032 B1	1/2018	Chen	
7,424,840 B1	9/2008	Huang		9,976,312 B2	5/2018	Boschian	
7,454,996 B2	11/2008	Hsu		10,113,306 B2	10/2018	Brigham et al.	
D581,776 S	12/2008	Yin-Feng		10,214,896 B2	2/2019	Tebo	
D585,269 S *	1/2009	Prichard, Jr.	D8/382	D850,897 S *	6/2019	Vandenberg	D8/382
7,487,699 B2	2/2009	Xu		D850,898 S *	6/2019	Vandenberg	D8/382
7,533,500 B2	5/2009	Morton et al.		D853,829 S *	7/2019	Vandenberg	D8/382
7,546,717 B2	6/2009	Juan Puerta		10,590,978 B2	3/2020	Shadwell	
7,578,105 B2	8/2009	Eberle, III		10,920,432 B2	2/2021	Demuth et al.	
7,600,353 B2	10/2009	Hafner		D924,044 S *	7/2021	Vandenberg	D8/382
D604,153 S	11/2009	Wantz		2003/0019174 A1	1/2003	Bolduc	
D604,599 S *	11/2009	Prichard, Jr.	D8/382	2003/0121226 A1	7/2003	Bolduc	
D610,440 S *	2/2010	Prichard, Jr.	D8/382	2003/0154662 A1	8/2003	Bruchu et al.	
7,682,118 B2	3/2010	Gong et al.		2003/0235483 A1	12/2003	Chen	
7,682,119 B2	3/2010	Chen		2004/0045244 A1	3/2004	Hafner	
7,695,228 B2	4/2010	Craven		2004/0141827 A1	7/2004	Dicke	
D614,942 S	5/2010	Gaudron		2004/0168382 A1	9/2004	Rudduck et al.	
7,721,503 B2	5/2010	Pervan et al.		2004/0237460 A1	12/2004	Green	
7,779,765 B2	8/2010	Donnell, Jr. et al.		2005/0003160 A1	1/2005	Chen et al.	
7,805,902 B2	10/2010	Martel		2005/0257473 A1	11/2005	Shaw et al.	
7,841,145 B2	11/2010	Pervan et al.		2005/0265806 A1	12/2005	Craven	
7,841,150 B2	11/2010	Pervan		2005/0278934 A1	12/2005	Orchard	
7,866,236 B2	1/2011	Hsu		2006/0179757 A1	8/2006	Schulner	
RE42,207 E	3/2011	Janusz		2006/0283122 A1	12/2006	Burgess et al.	
D634,186 S	3/2011	Kemper		2007/0128001 A1	6/2007	Su	
7,908,816 B2	3/2011	Grafenauer et al.		2007/0196624 A1	8/2007	Chen et al.	
D637,071 S	5/2011	Gaudron et al.		2007/0217887 A1	9/2007	Lin	
D637,896 S	5/2011	Dotsey		2007/0289249 A1	12/2007	Martel	
7,950,312 B2	5/2011	Matthiesen et al.		2008/0025816 A1	1/2008	Chen et al.	
7,980,041 B2	7/2011	Pervan et al.		2008/0080951 A1	4/2008	Lin	
7,992,469 B2	8/2011	Chang et al.		2008/0240886 A1	10/2008	Martel et al.	
D647,393 S	10/2011	Carrillo, Sr. et al.		2008/0264218 A1	10/2008	Wang et al.	
8,042,311 B2	10/2011	Pervan et al.		2008/0276761 A1	11/2008	Hale et al.	
8,079,196 B2	12/2011	Pervan		2008/0279654 A1	11/2008	Deschamps	
8,162,196 B2	4/2012	Gasser et al.		2008/0296341 A1	12/2008	Francescon	
8,192,124 B2	6/2012	Wopert et al.		2009/0108719 A1	4/2009	Lilly	
D662,808 S	7/2012	Vandenberg		2009/0142159 A1	6/2009	Wolpert et al.	
8,245,478 B2	8/2012	Bergelin et al.		2009/0173032 A1	7/2009	Prager et al.	
8,336,272 B2	12/2012	Prager et al.		2009/0193741 A1	8/2009	Cappelle	
8,348,571 B2	1/2013	Shih		2009/0217495 A1	9/2009	Tipps et al.	
8,359,805 B2	1/2013	Pervan et al.		2009/0249730 A1	10/2009	Vibiano	
8,360,702 B2	1/2013	Yu		2009/0314143 A1	12/2009	Chen	
8,382,414 B2	2/2013	Vandenberg		2010/0050556 A1	3/2010	Bums	
D677,147 S	3/2013	Vandenberg		2010/0083610 A1	4/2010	King	
8,387,327 B2	3/2013	Pervan		2010/0107524 A1	5/2010	Moss	
8,480,343 B2	7/2013	Vandenberg		2010/0257806 A1	10/2010	Snell et al.	
8,499,521 B2	8/2013	Pervan et al.		2010/0260962 A1	10/2010	Chen et al.	
8,511,031 B2	8/2013	Bergelin et al.		2010/0319290 A1	12/2010	Pervan et al.	
8,544,229 B2	10/2013	Kilgore et al.		2011/0167744 A1	7/2011	Whispell et al.	
8,544,230 B2	10/2013	Pervan		2011/0167757 A1	7/2011	Vandenberg	
8,627,862 B2	1/2014	Pervan et al.		2011/0225922 A1	9/2011	Pervan et al.	
8,650,826 B2	2/2014	Pervan et al.		2011/0232430 A1	9/2011	Hale	
8,677,714 B2	3/2014	Pervan		2012/0000327 A1	1/2012	Park	
8,713,886 B2	5/2014	Pervan et al.		2012/0048909 A1	3/2012	Gensmann et al.	
8,733,065 B2	5/2014	Pervan		2012/0073410 A1	3/2012	Hoffman et al.	
8,763,341 B2	7/2014	Pervan		2012/0255158 A1	10/2012	Kawasaki	
8,769,905 B2	7/2014	Pervan et al.		2013/0014465 A1	1/2013	Kilgore	
8,826,622 B2	9/2014	Cappelle et al.		2013/0025230 A1	1/2013	Turner	
8,887,468 B2	11/2014	Hakansson et al.		2013/0051955 A1	2/2013	Su et al.	
8,925,274 B2	1/2015	Darko et al.		2013/0287484 A1	10/2013	Phillips	
8,991,055 B2	3/2015	Cappelle		2013/0340377 A1	12/2013	Shadwell	
9,145,691 B2	9/2015	Cappelle		2014/0099161 A1	4/2014	Chen	
9,212,493 B2	12/2015	Cappelle et al.		2014/0165491 A1	6/2014	Lachevrotiere et al.	
				2014/0290173 A1	10/2014	Hamberger	
				2014/0305064 A1	10/2014	Baker et al.	
				2015/0211558 A1	7/2015	Garrison	
				2015/0275951 A1	10/2015	Shadwell et al.	

(56)

References Cited

U.S. PATENT DOCUMENTS

2017/0037643	A1	2/2017	Mitchell
2017/0114536	A1	4/2017	Tebo
2017/0138063	A1	5/2017	Boschian
2017/0232499	A1	8/2017	Wadsworth
2017/0314278	A1	11/2017	Lee et al.
2017/0321434	A1	11/2017	Shadwell et al.
2017/0362815	A1	12/2017	Brigham et al.
2018/0010627	A1	1/2018	Shadwell
2018/0141134	A1*	5/2018	Brigham B23B 47/28
2018/0238060	A1	8/2018	Doupe et al.
2019/0055738	A1*	2/2019	Vandenberg F16B 5/0088
2019/0055974	A1*	2/2019	Vandenberg F16B 12/2063
2020/0087925	A1	3/2020	Vandenberg et al.
2020/0340252	A1*	10/2020	Carlson E04F 15/02038

FOREIGN PATENT DOCUMENTS

CH	695482	A5	6/2006
DE	4228727	A1	3/1994
DE	4331689	A1	3/1994
DE	102015202596		6/2016
EP	0482363	A1	4/1992
EP	1187993		3/2002
EP	1595627	A2	11/2005
EP	1920890	A2	5/2008
EP	1932623	A1	6/2008
EP	1938928	A1	7/2008
EP	2258518	A2	12/2010
EP	2397706	A1	12/2011

EP	2076362		3/2012
EP	2592365		5/2013
EP	2995744	B1	3/2016
EP	3150083	A1	4/2017
FR	1566765		5/1969
FR	2968366	A1	6/2012
GB	191001226		12/1910
GB	167620		8/1921
GB	1009630		11/1965
GB	2127927	A	4/1984
JP	10329049	A	12/1998
JP	2000257616		9/2000
JP	217625		11/2004
JP	2004308732		11/2004
WO	1997017505		5/1997
WO	1997042420		11/1997
WO	1999067541		12/1999
WO	2007091487	A1	2/2007

OTHER PUBLICATIONS

Deck Spacers, downloaded from <http://www.contractortalk.com/f50/spacers-cleats-simpson-worth-anything-82833/> (viewed Jun. 8, 2017).
 Spacer clip, discovered 2017.
 Fiberon DeckPilot Mar. 2009.
 Fiberon DeckPilot Dec. 2009.
<http://www.woodworkersjournal.com/todays-wood-screw-technology-2/> downloaded Feb. 23, 2018.
<http://www.starbornindustries.com/cap-tor-xd-product> downloaded Feb. 26, 2018.

* cited by examiner

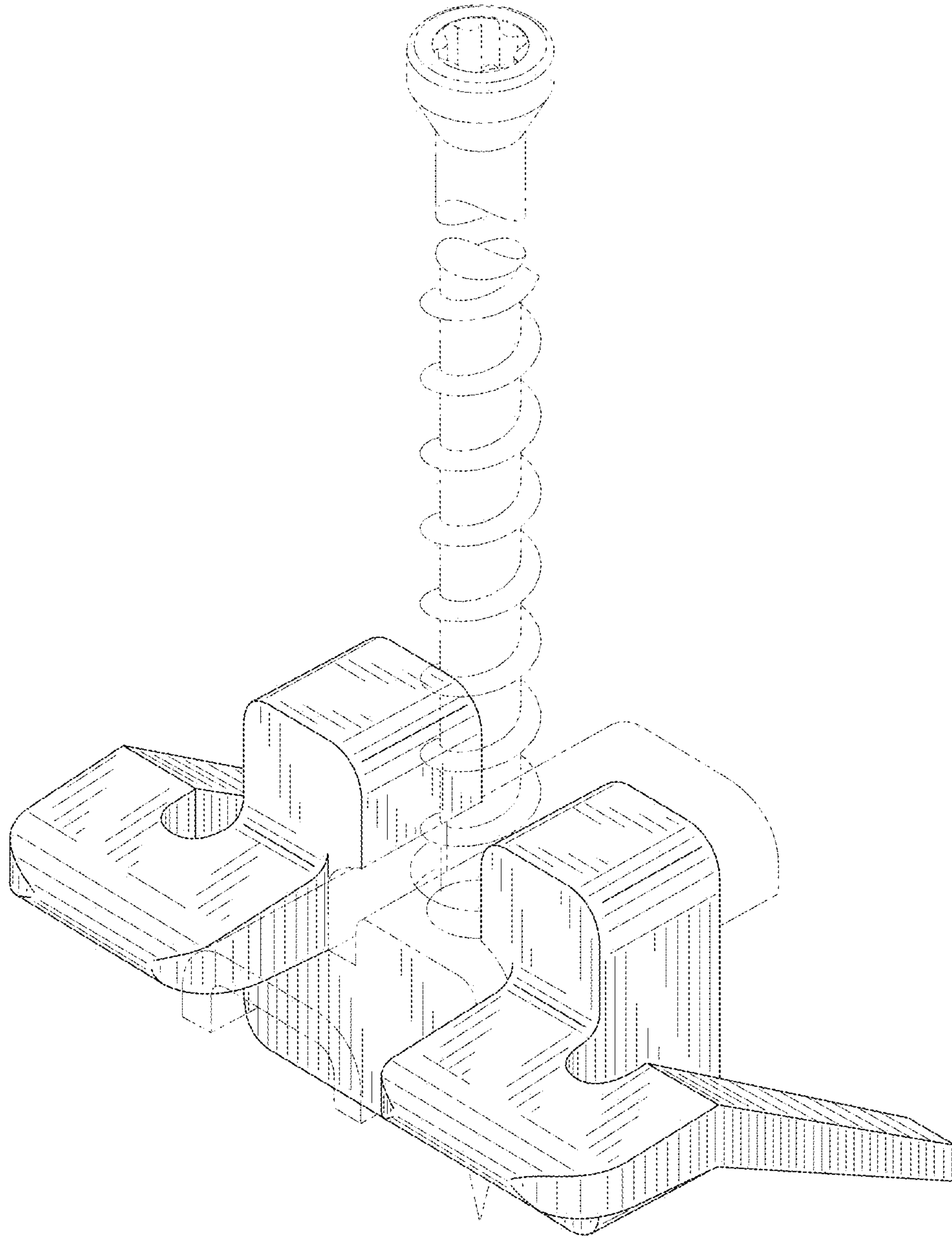


Fig. 1

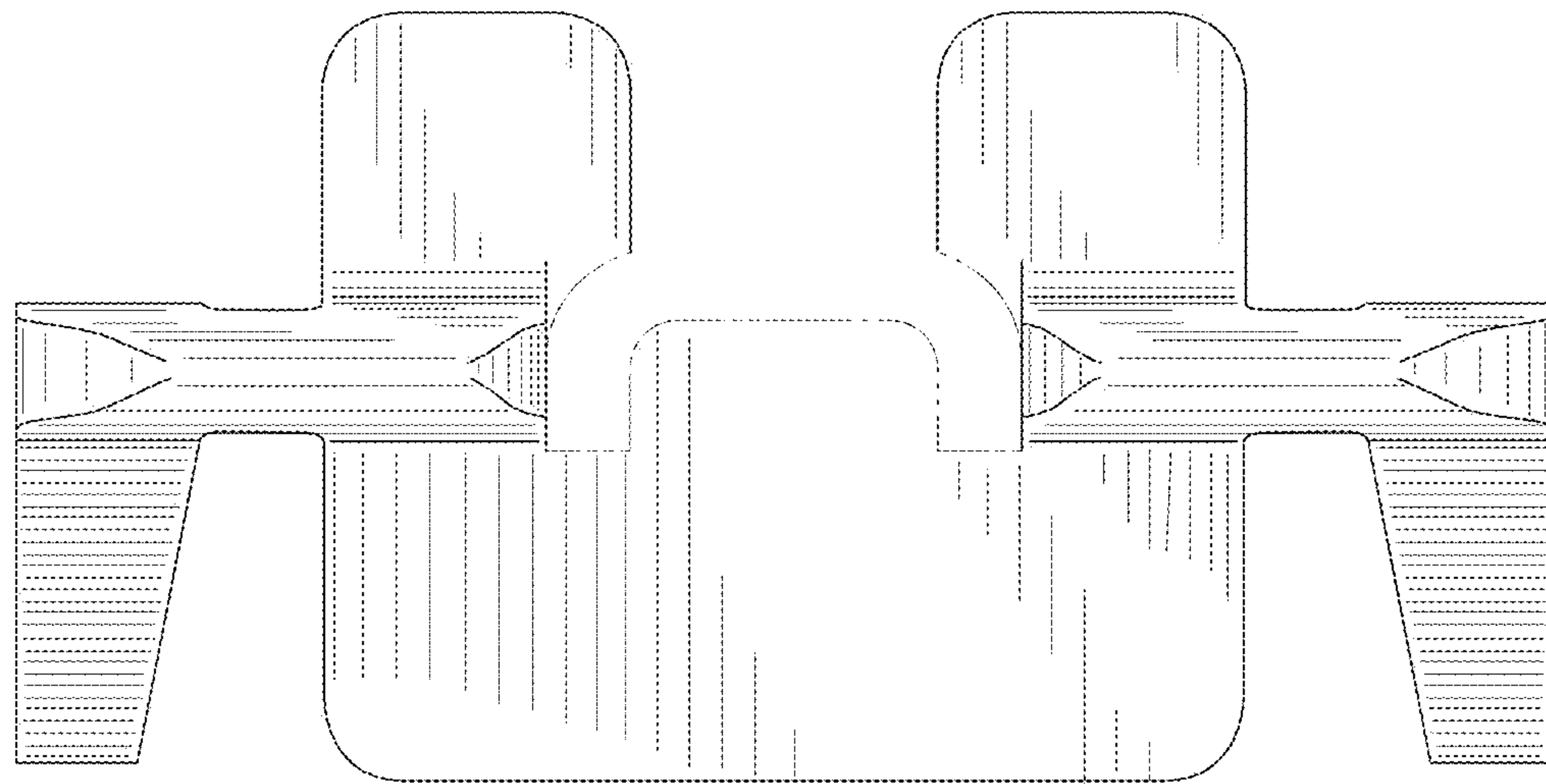


Fig. 2

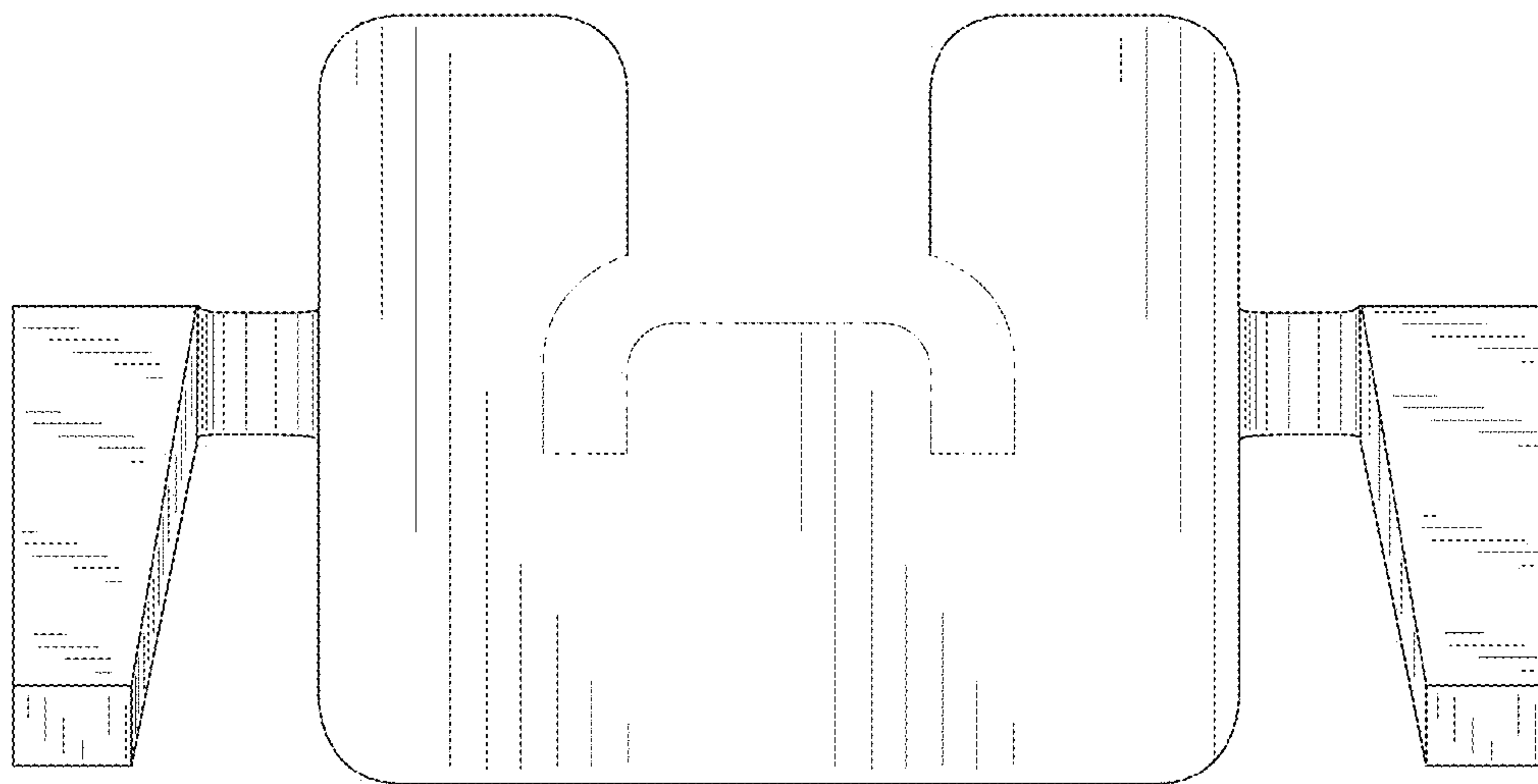


Fig. 3

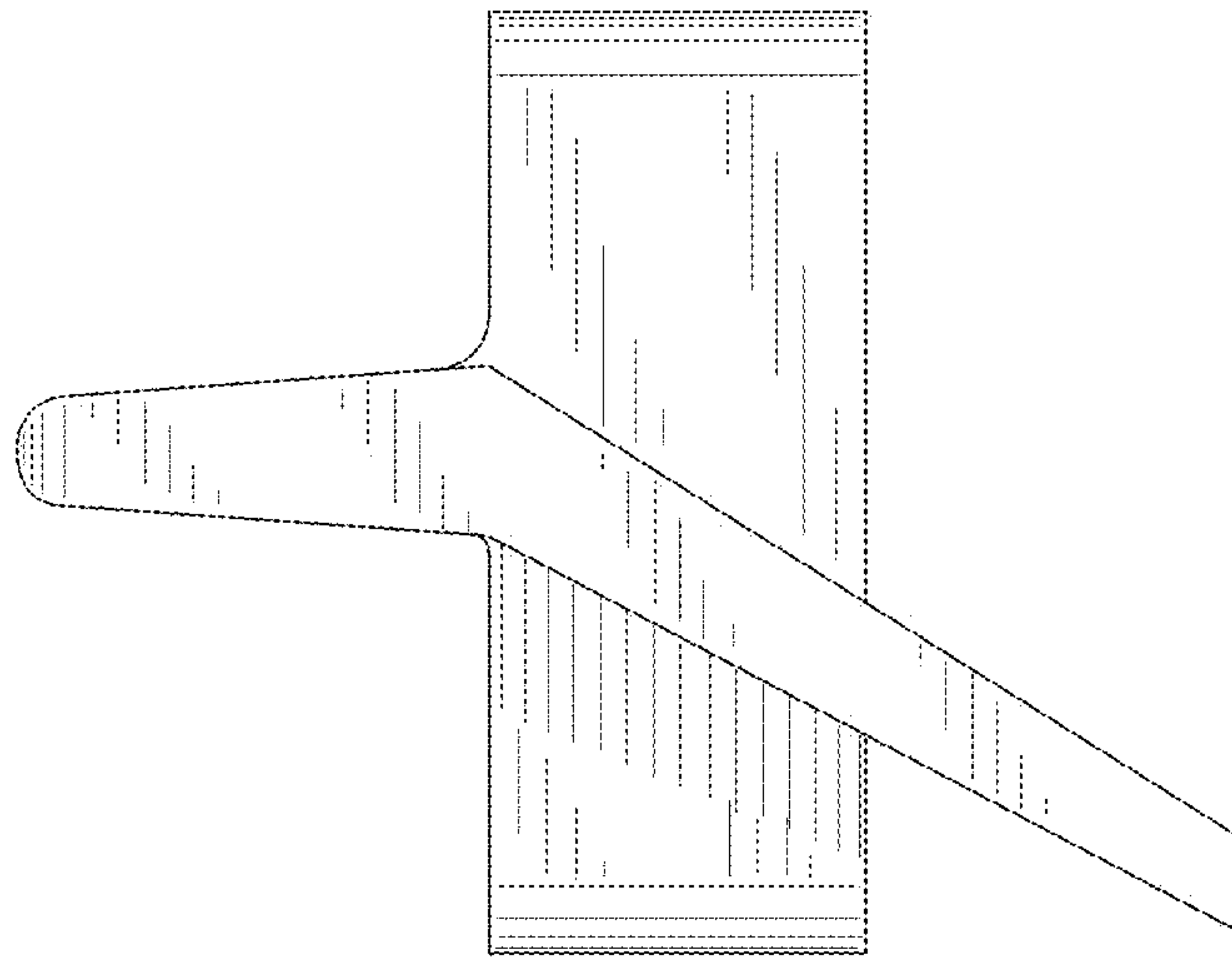


Fig. 4

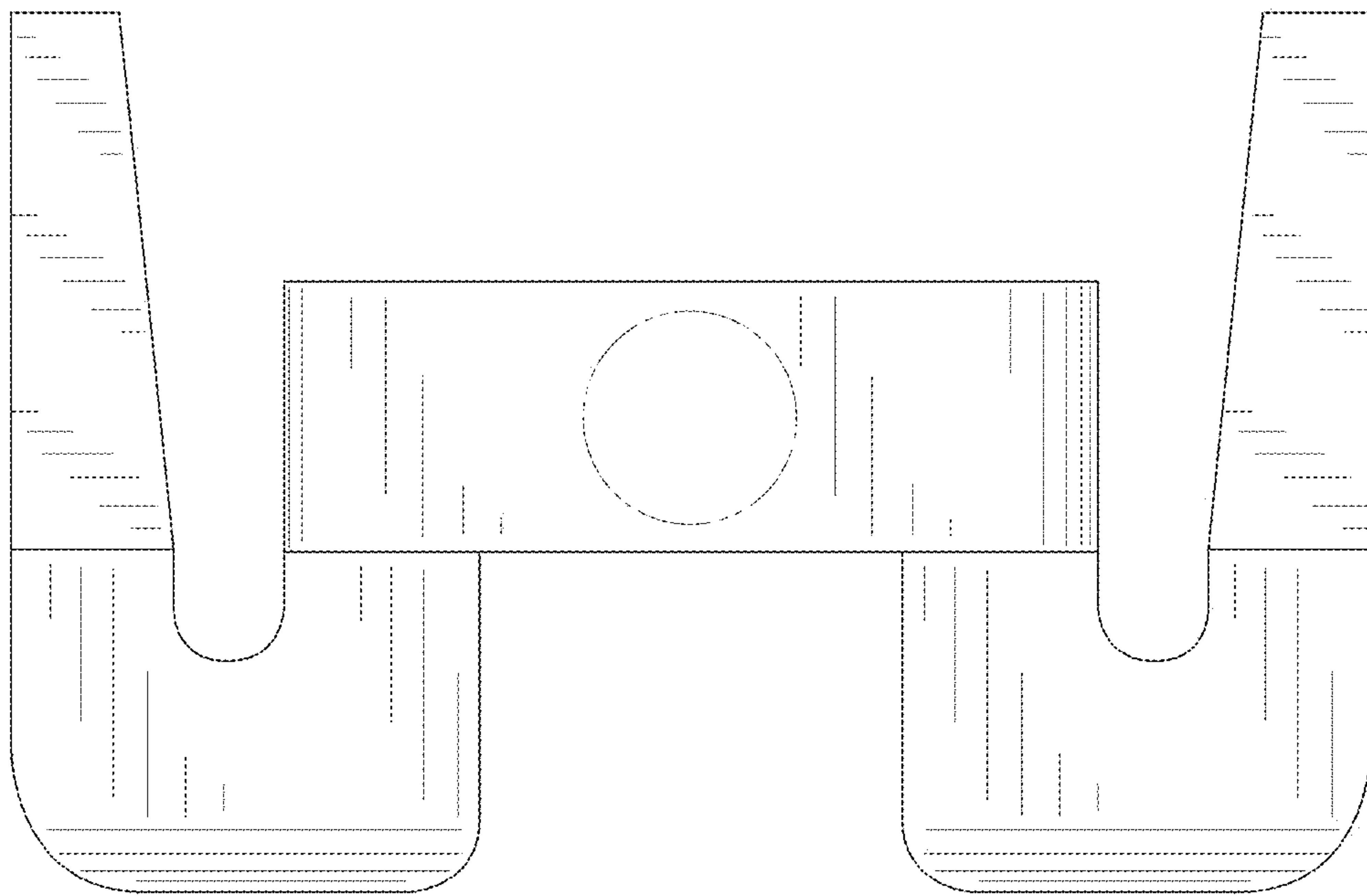


Fig. 5

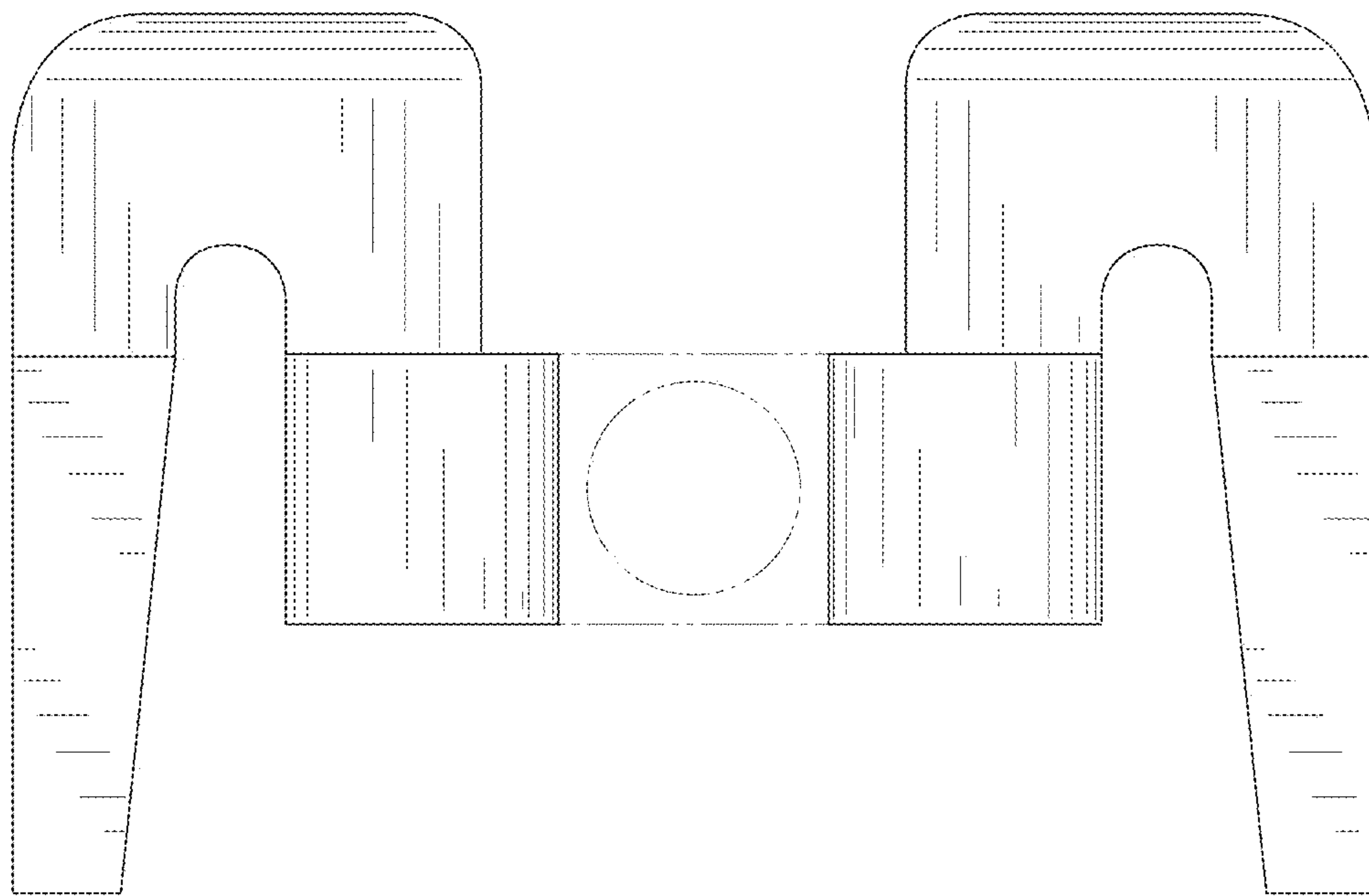


Fig. 6