



US00D945869S

(12) **United States Design Patent**
Painter et al.

(10) **Patent No.:** **US D945,869 S**

(45) **Date of Patent:** **** Mar. 15, 2022**

(54) **TRIANGULAR MOUNTING BRACKET FOR A PORTABLE DEVICE**

(71) Applicant: **T-Mobile USA, Inc.**, Bellevue, WA (US)

(72) Inventors: **Christopher Painter**, Kirkland, WA (US); **Parag Garg**, Woodinville, WA (US); **Joseph Baird**, Kent, WA (US); **Jeffrey Scott Croyle**, San Francisco, CA (US); **Aaron Takeshi Sisneros**, Oakland, CA (US); **Daniel Hundt**, San Francisco, CA (US)

(73) Assignee: **T-Mobile USA, Inc.**, Bellevue, WA (US)

(**) Term: **15 Years**

(21) Appl. No.: **29/735,515**

(22) Filed: **May 21, 2020**

(51) **LOC (13) Cl.** **08-08**

(52) **U.S. Cl.**
USPC **D8/382**; D8/354; D10/103; D10/121

(58) **Field of Classification Search**
USPC D14/251–253, 224, 224.1, 432–434, 447, D14/451, 452; D8/349, 354, 382; D10/70, 103, 104.1, 104.2, 121
(Continued)

(56) **References Cited**

U.S. PATENT DOCUMENTS

4,260,180 A 4/1981 Halushka et al.
D443,726 S 6/2001 Failliant-Dumas
(Continued)

OTHER PUBLICATIONS

Gearlab Harman Kardon Onyx Studio 4 Review, publication date Feb. 18, 2018, (online) URL: <https://www.techgearlab.com/reviews/audio/bluetooth-speaker/harman-kardon-onyx:-studio-4> (Year: 2018).

TmoNews T-Mobile Launches SyncUp Pets Tracker, publication date Feb. 26, 2020, (online) URL: <https://www.tmonews.com/2020/02/t-mobile-syncup-pets-tracker/> (Year: 2020).

(Continued)

Primary Examiner — Rebekah A Caruso

(74) *Attorney, Agent, or Firm* — Han Santos, PLLC

(57) **CLAIM**

The ornamental design for a triangular mounting bracket for a portable device, as shown and described.

DESCRIPTION

FIG. 1 is a perspective view of a triangular mounting bracket for a portable device taken from the top, right, and front, and illustrating a first orientation;

FIG. 2 is another perspective view of the triangular mounting bracket taken from the bottom, back, and left, and illustrating a second orientation;

FIG. 3 is a front elevation view of the triangular mounting bracket of FIG. 1;

FIG. 4 back elevation view of the triangular mounting bracket of FIG. 1;

FIG. 5 is a right elevation view of the triangular mounting bracket of FIG. 1;

FIG. 6 is a right elevation view of the triangular mounting bracket of FIG. 1, and showing a cross-section of the triangular mounting bracket as cut along the broken line 6 shown in FIG. 8;

FIG. 7 is a left elevation view of the triangular mounting bracket of FIG. 1;

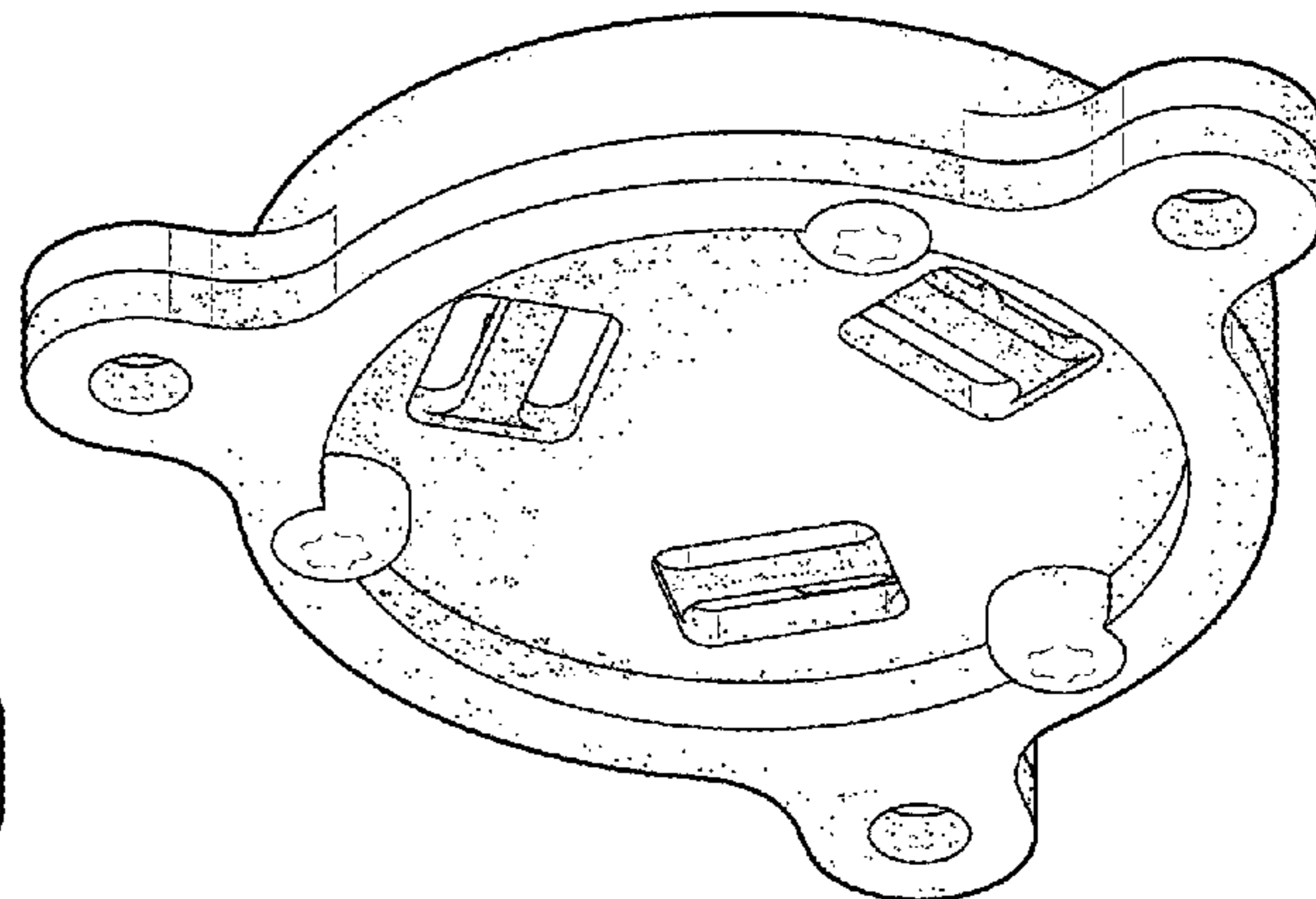
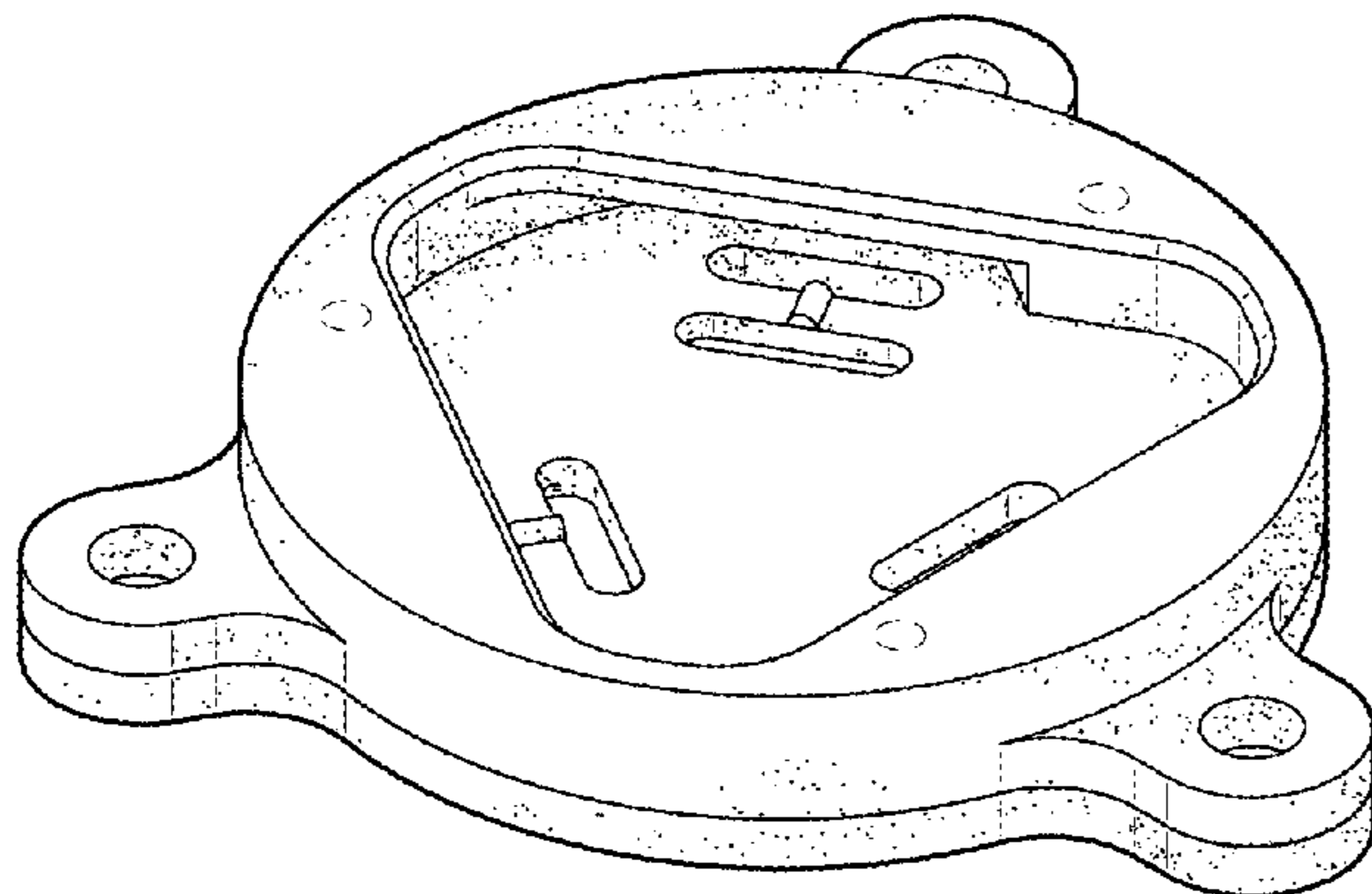
FIG. 8 is a top plan view of the triangular mounting bracket of FIG. 1;

FIG. 9 is a top plan view of the triangular mounting bracket of FIG. 1, and showing a cross-section of the triangular mounting bracket as cut along the broken line 9 shown in FIG. 5; and,

FIG. 10 is a bottom plan view of the triangular mounting bracket of FIG. 1.

The broken lines shown in the drawings illustrate portions of the triangular mounting bracket for the portable device that form no part of the claimed design.

1 Claim, 4 Drawing Sheets



- (58) **Field of Classification Search**
 CPC B60R 11/00; B60R 11/02; B60R 11/0241;
 B60R 11/0252; B60R 2011/0003; B60R
 2011/0005; B60R 2011/0008; H04M
 1/04; H04M 1/11; F16M 11/00; F16M
 11/04; F16M 11/041; F16M 11/06; H05K
 5/0204; F16B 1/00
 See application file for complete search history.

(56) **References Cited**

U.S. PATENT DOCUMENTS

D475,417 S	6/2003	Wintersteiger	
D476,376 S	6/2003	Wintersteiger	
D526,973 S	8/2006	Gates et al.	
7,226,321 B2	6/2007	Uhari	
D558,208 S	12/2007	Ikeda et al.	
D558,209 S	12/2007	Ikeda et al.	
D575,289 S	8/2008	Kuo et al.	
7,431,027 B2	10/2008	Carpenter et al.	
D585,898 S	2/2009	Skurdal	
8,148,701 B2	4/2012	Yoder	
D680,541 S	4/2013	Lee et al.	
8,552,403 B2	10/2013	Yoder et al.	
D693,814 S	11/2013	Park	
D694,228 S *	11/2013	Richter	D14/253
8,708,151 B2 *	4/2014	Whitten	F16B 1/00 206/701
D717,244 S	11/2014	Reishus et al.	
D739,857 S *	9/2015	Lay	D14/447
D749,442 S	2/2016	Jung et al.	
D749,504 S	2/2016	Jeong et al.	
D768,635 S	10/2016	Due	
D784,259 S	4/2017	Huang et al.	
D802,529 S	11/2017	Andersson	
D805,884 S *	12/2017	Evitt	D8/382
D806,711 S	1/2018	Sakaguchi et al.	
9,875,628 B2	1/2018	Pokrajac et al.	
D824,851 S	8/2018	Antonetti et al.	
D838,164 S *	1/2019	Hanchett	A45F 5/02 D8/382

D838,274 S *	1/2019	Mittleman	D14/433
D848,405 S	5/2019	Bould et al.	
D859,363 S	9/2019	Chalabi et al.	
D859,364 S	9/2019	Chalabi et al.	
D864,961 S	10/2019	Sakaguchi et al.	
10,436,914 B2	10/2019	Gindraux et al.	
D878,353 S *	3/2020	Heidrich	D14/253
D878,905 S	3/2020	Illouz	
D879,086 S *	3/2020	Nahum	D14/251
10,623,615 B2 *	4/2020	Vestergren	F16M 11/041
D886,795 S	6/2020	Tak et al.	
D888,017 S	6/2020	Yuan	
D888,687 S	6/2020	Xu et al.	
10,694,012 B2 *	6/2020	Krenn	F16M 11/041
D890,160 S *	7/2020	Heidrich	D14/253
D898,879 S *	10/2020	Kalb	D23/262
D906,280 S	12/2020	Matarese et al.	
D908,149 S *	1/2021	Hansen	D15/138
D911,155 S *	2/2021	Kondo	D8/382
10,962,165 B2 *	3/2021	Weng	H05K 5/0204
D918,696 S *	5/2021	Painter	D8/354
D920,143 S	5/2021	Painter et al.	
D920,493 S	5/2021	Alexander	
D920,949 S	6/2021	Matarese et al.	
D921,474 S *	6/2021	Borst	D8/349
2010/0207769 A1	8/2010	Pokrajac	
2011/0169616 A1	7/2011	Yoder	
2014/0158129 A1	6/2014	Pratt, Jr. et al.	
2020/0378546 A1 *	12/2020	Painter	F16B 1/00

OTHER PUBLICATIONS

Design U.S. Appl. No. 29/735,072, Notice of Allowance dated Sep. 30, 2021, 103 pages.
 Design U.S. Appl. No. 29/693,293, Ex Parte Quayle mailed Jun. 1, 2020, 15 pages.
 Design U.S. Appl. No. 29/693,293, Notice of Allowance dated Aug. 20, 2020, 10 pages.
 Design U.S. Appl. No. 29/693,299, Notice of Allowance dated Sep. 14, 2020, 18 pages.

* cited by examiner

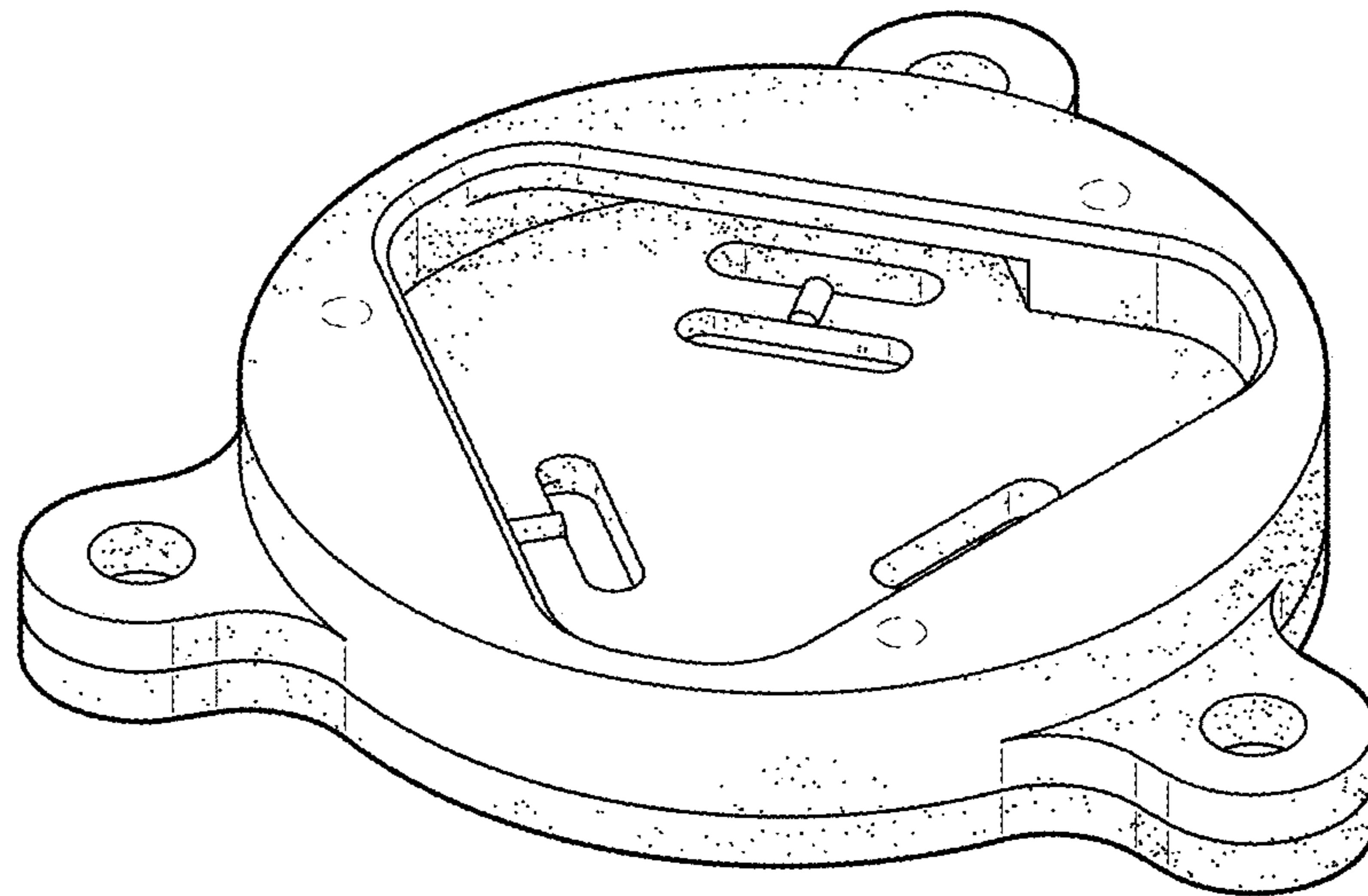


FIG. 1

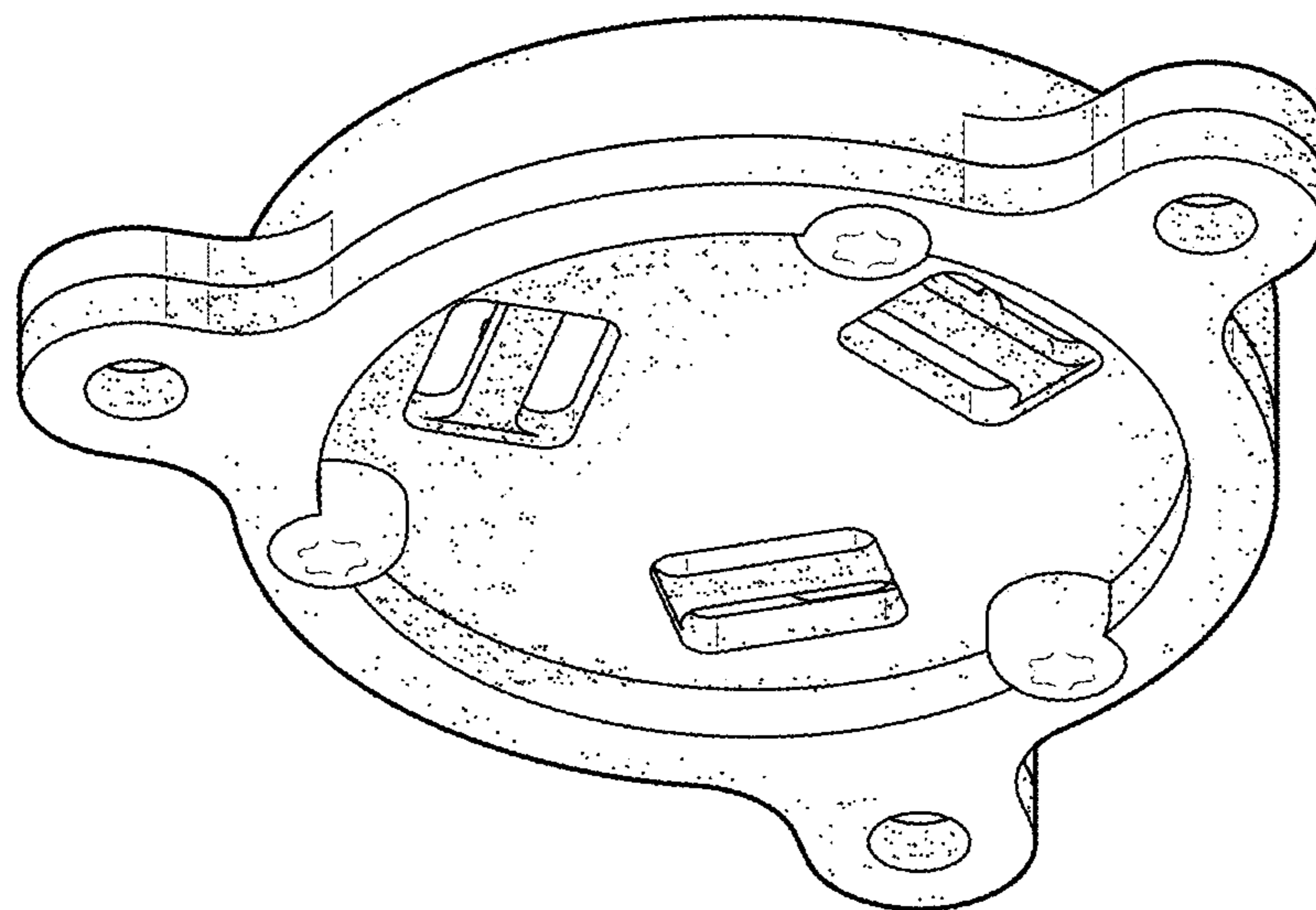


FIG. 2

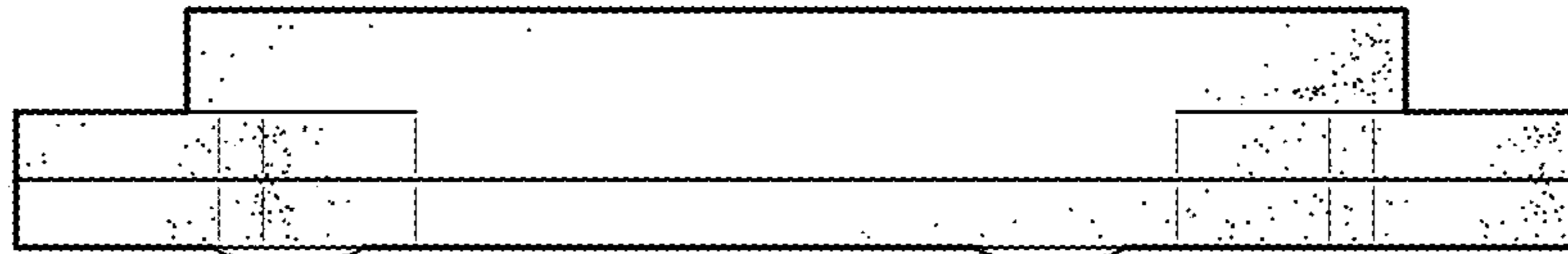


FIG. 3

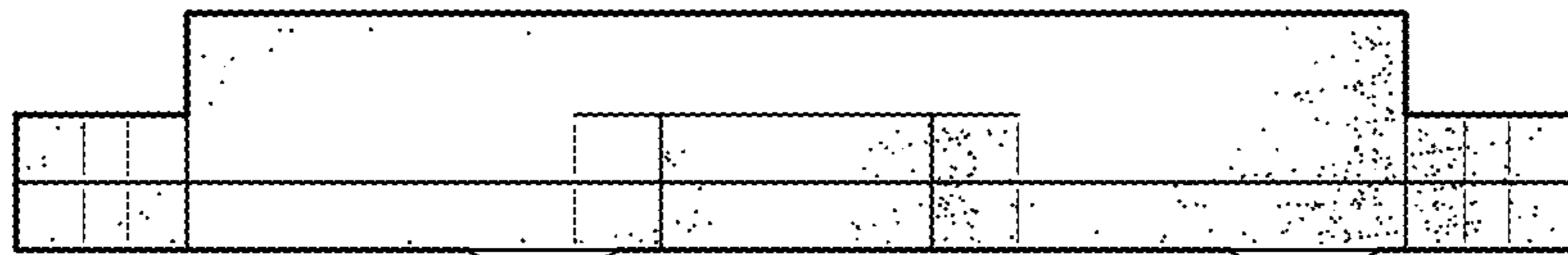


FIG. 4

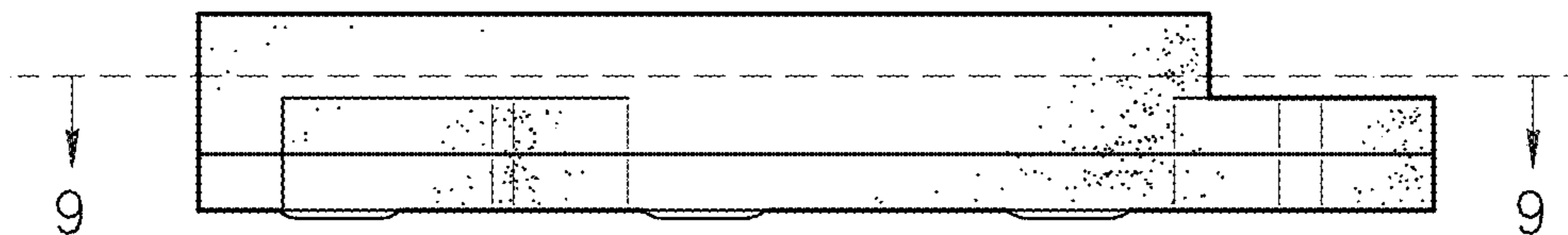


FIG. 5

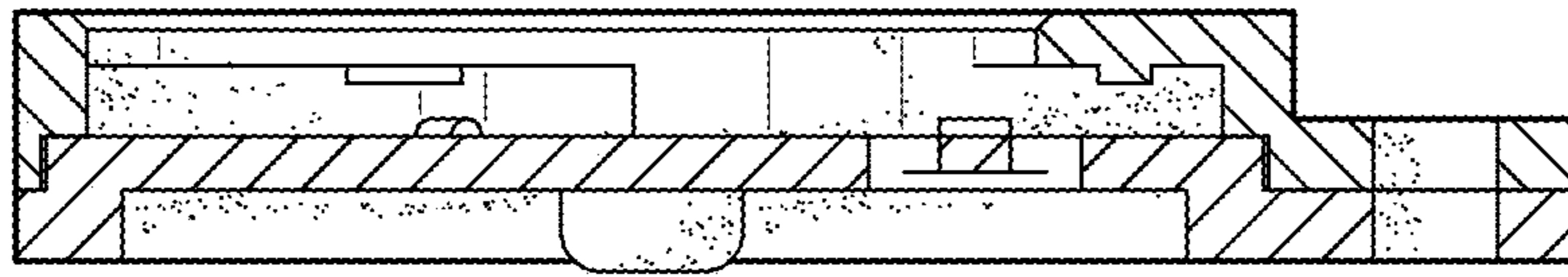


FIG. 6

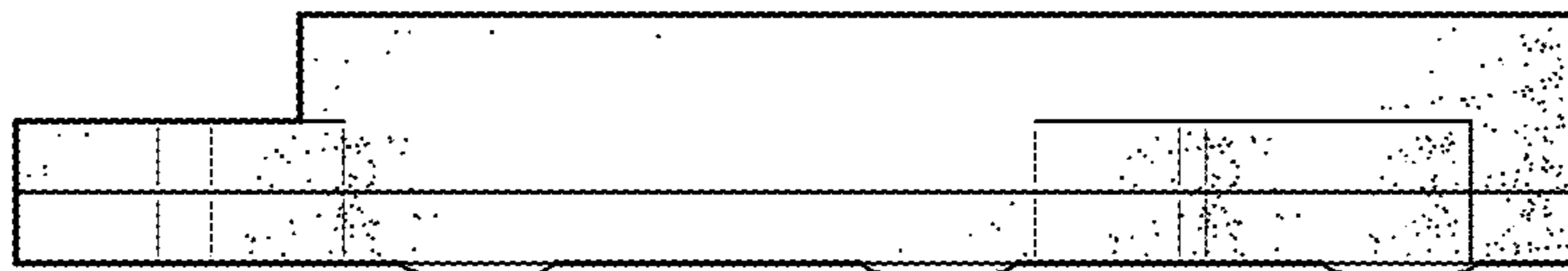


FIG. 7

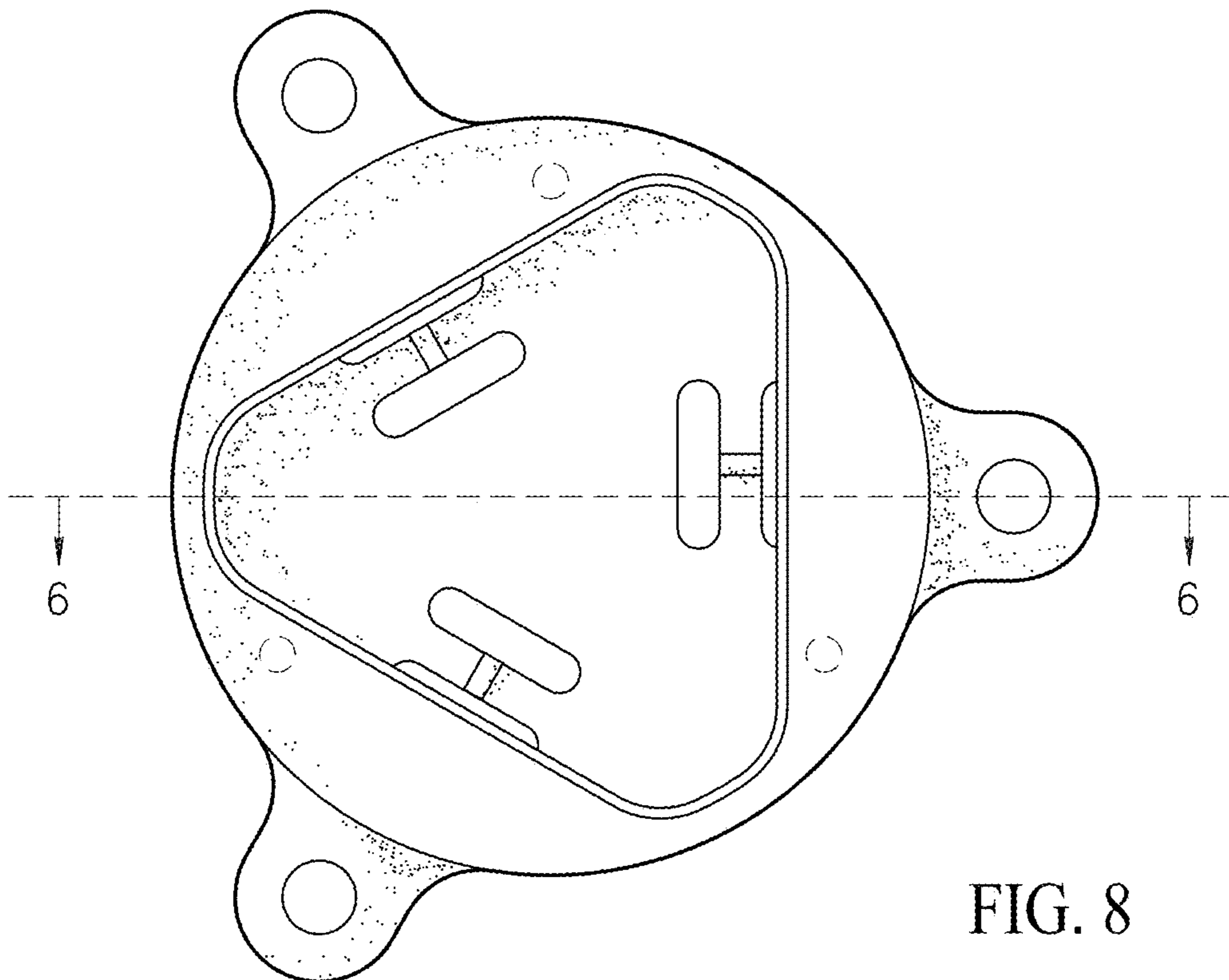


FIG. 8

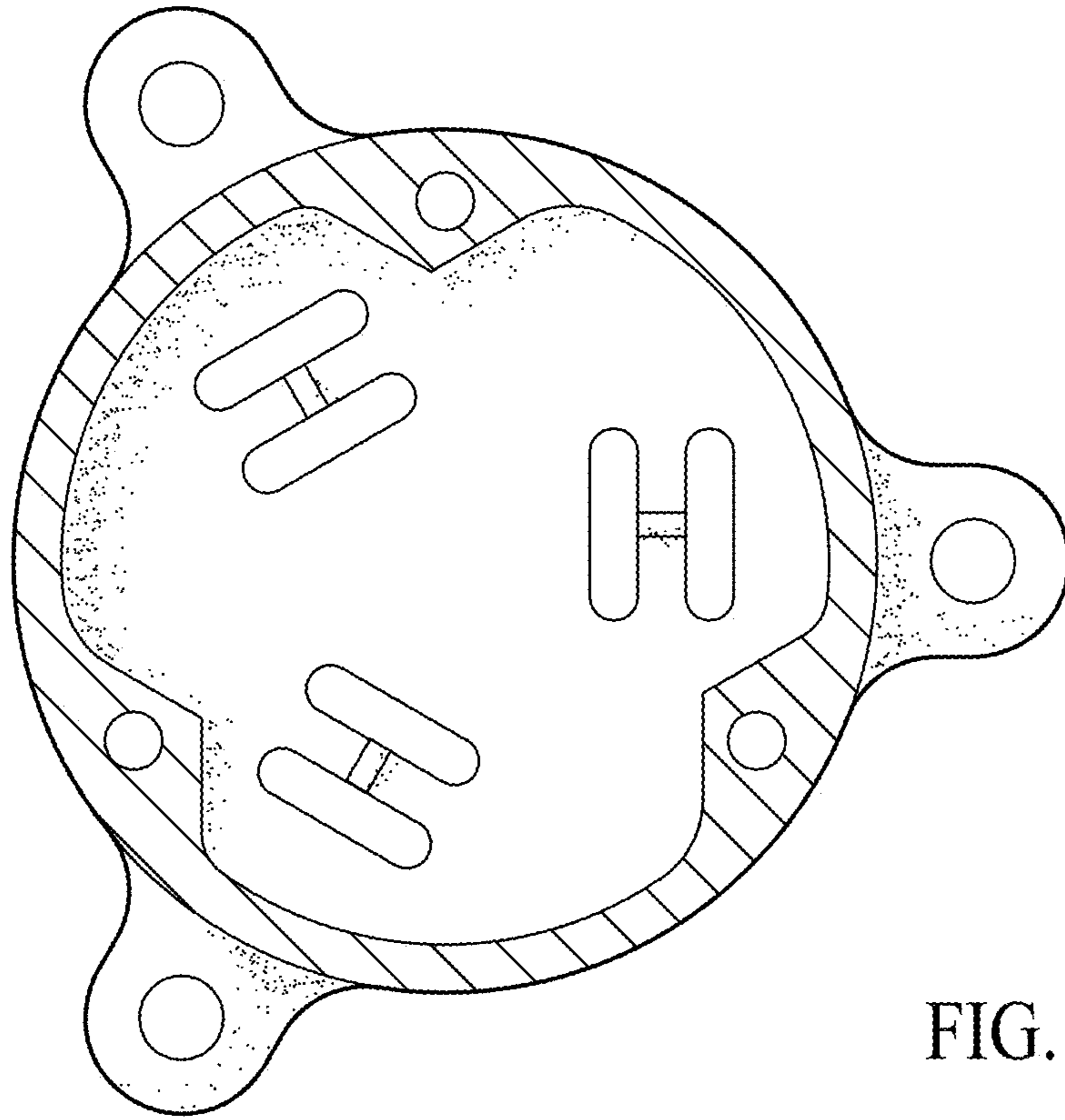


FIG. 9

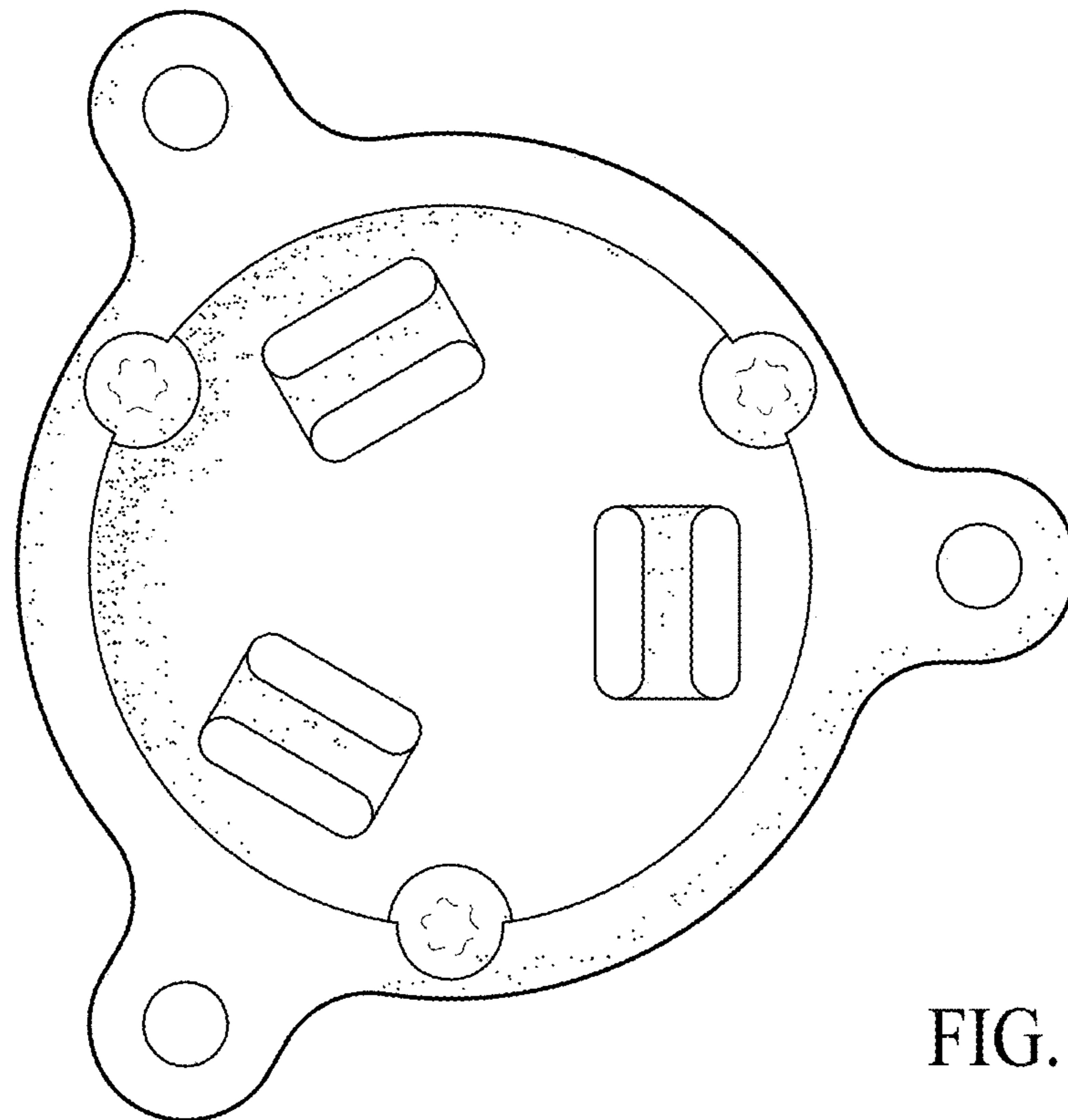


FIG. 10