



US00D945867S

(12) **United States Design Patent**
McBride et al.

(10) **Patent No.:** **US D945,867 S**

(45) **Date of Patent:** **** Mar. 15, 2022**

(54) **RACK**

(71) Applicant: **InterDesign, Inc.**, Solon, OH (US)

(72) Inventors: **Sara Czukal McBride**, Wickliffe, OH (US); **Radu Alexandru Ghiorghie**, Copley, OH (US); **Amanda Varga**, Brook Park, OH (US)

(73) Assignee: **InterDesign, Inc.**, Solon, OH (US)

(**) Term: **15 Years**

(21) Appl. No.: **29/673,806**

(22) Filed: **Dec. 18, 2018**

(51) **LOC (13) Cl.** **08-05**

(52) **U.S. Cl.**
USPC **D8/372**

(58) **Field of Classification Search**
USPC D8/374, 373, 376, 354, 366, 371, 372, D8/367, 349, 370, 353, 394; D6/323
CPC A43D 117/00; A47F 5/101
See application file for complete search history.

(56) **References Cited**

U.S. PATENT DOCUMENTS

D494,048 S *	8/2004	Goodman	D8/372
D547,584 S *	7/2007	Little	D6/569
D751,371 S *	3/2016	Pan	D8/372
D835,422 S *	12/2018	Cohen	D6/323

* cited by examiner

Primary Examiner — Eliza Z Bennett-Hattan

(74) *Attorney, Agent, or Firm* — Calfee, Halter & Griswold LLP

(57) **CLAIM**

We claim the ornamental design for a rack, as shown and described.

DESCRIPTION

FIG. 1 is a front right perspective view of a rack showing our new design; and, FIG. 2. is another right perspective view of the rack in an alternative position of use. The broken lines represent unclaimed portions of the rack and form no part of the claimed design.

1 Claim, 2 Drawing Sheets

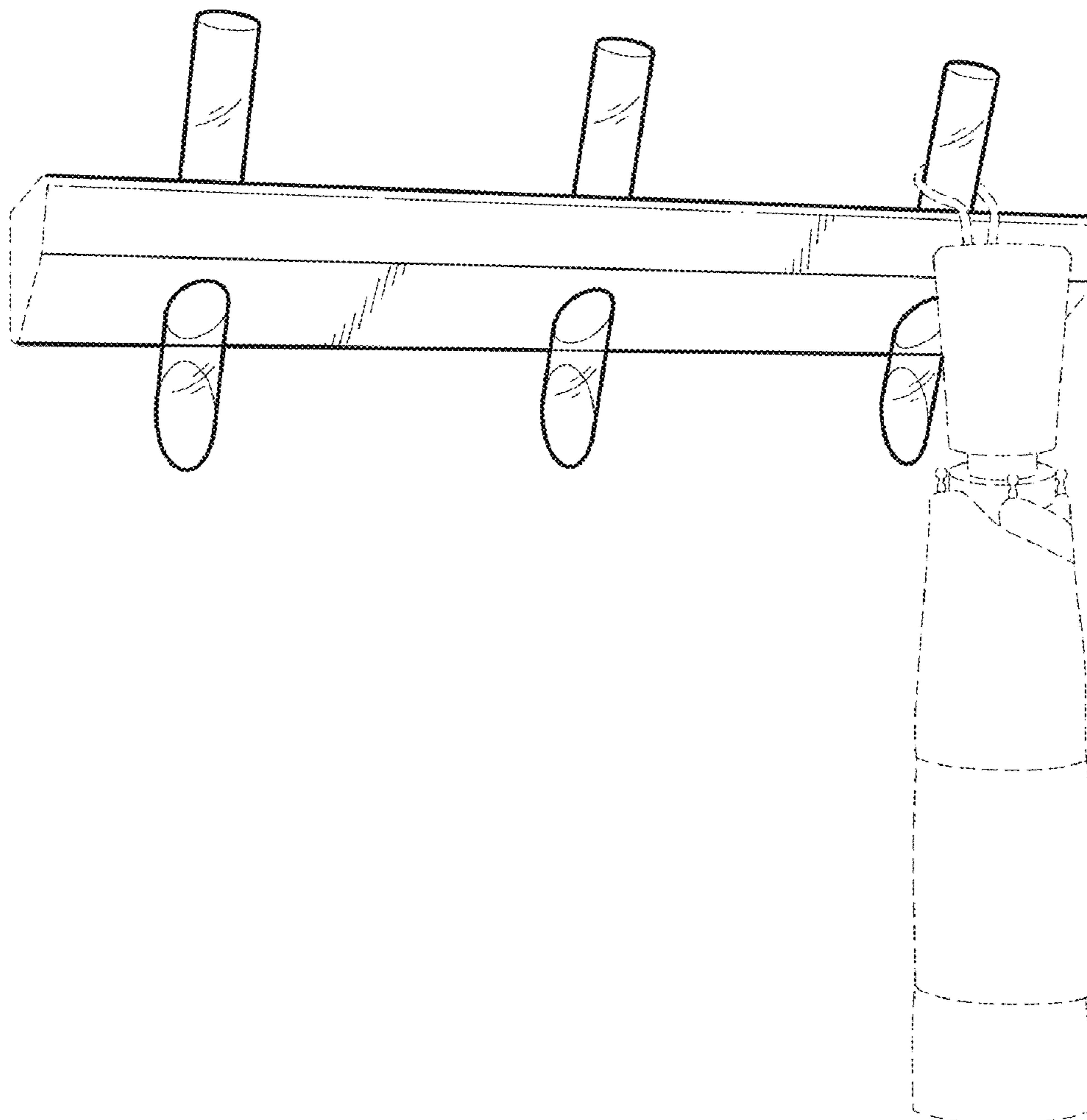


FIG. 1

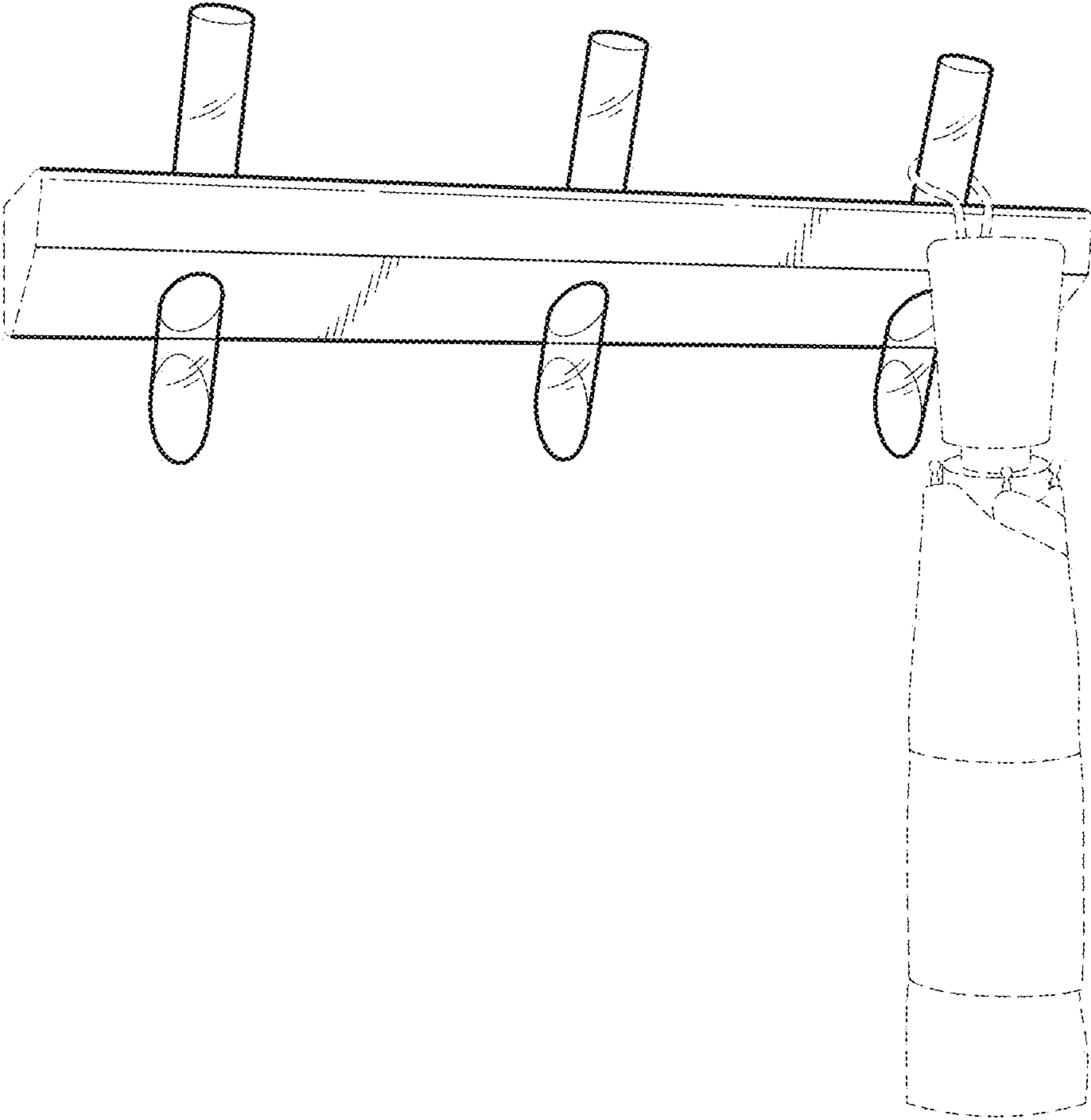


FIG. 2

