



US00D945866S

(12) **United States Design Patent** (10) **Patent No.:** **US D945,866 S**  
**Luo** (45) **Date of Patent:** **\*\* Mar. 15, 2022**

(54) **MAGNETIC HOOK**  
(71) Applicant: **Xiaorong Luo**, Laohekou (CN)  
(72) Inventor: **Xiaorong Luo**, Laohekou (CN)  
(\*\*) Term: **15 Years**  
(21) Appl. No.: **29/772,924**  
(22) Filed: **Mar. 4, 2021**  
(51) **LOC (13) Cl.** ..... **08-05**  
(52) **U.S. Cl.**  
USPC ..... **D8/367**  
(58) **Field of Classification Search**  
USPC ..... D8/367, 354, 349, 373; D6/323;  
248/301-304, 339  
CPC ..... A47G 1/00; A47G 25/00  
See application file for complete search history.

D667,720 S \* 9/2012 Berkowitz ..... D8/367  
8,739,453 B1 \* 6/2014 Conner ..... F41A 23/18  
42/99  
D729,254 S \* 5/2015 Sullivan ..... D14/440  
9,144,349 B2 \* 9/2015 Groll ..... A47J 45/02  
D746,664 S \* 1/2016 Najieb ..... D8/367  
D756,753 S 6/2016 Kawaguchi  
D765,498 S 10/2016 Dankert  
D787,303 S \* 5/2017 Garvin ..... D8/367  
D799,943 S \* 10/2017 Burcar ..... D8/367  
D809,354 S \* 2/2018 Richer ..... D8/14  
D813,656 S 3/2018 Kremer et al.  
D840,792 S \* 2/2019 Sugawara ..... D8/367  
D864,697 S \* 10/2019 Gnocchini ..... D8/367  
D864,699 S \* 10/2019 Blaney ..... D8/367  
D880,990 S \* 4/2020 Liu ..... D8/367  
D917,266 S \* 4/2021 Winnie ..... D8/367  
2014/0339389 A1 \* 11/2014 Futrell ..... A47G 23/0208  
248/303

\* cited by examiner

*Primary Examiner* — Cynthia R Underwood  
(74) *Attorney, Agent, or Firm* — True Shepherd LLC;  
Andrew C. Cheng

(56) **References Cited**

U.S. PATENT DOCUMENTS

2,679,998 A \* 6/1954 Keller ..... F16B 47/003  
248/205.3  
2,788,438 A \* 4/1957 Lieuwen ..... F21V 21/00  
362/344  
2,803,595 A \* 8/1957 Anzaldi ..... C25F 7/00  
205/640  
3,118,207 A \* 1/1964 Breslow ..... A47H 13/00  
24/304  
D241,119 S \* 8/1976 Emminger ..... D8/367  
D259,700 S \* 6/1981 Chasen ..... D8/367  
D354,429 S \* 1/1995 McNaughton ..... D8/367  
D359,441 S \* 6/1995 Miller ..... D8/367  
D446,110 S \* 8/2001 McDuff ..... D8/367  
D449,977 S \* 11/2001 Dembowiak ..... D8/367  
D472,795 S \* 4/2003 Saxby ..... D8/367  
D505,315 S \* 5/2005 Snell ..... D8/367  
D608,186 S \* 1/2010 Nicoll ..... D8/367  
D650,657 S \* 12/2011 Kaye ..... D8/367

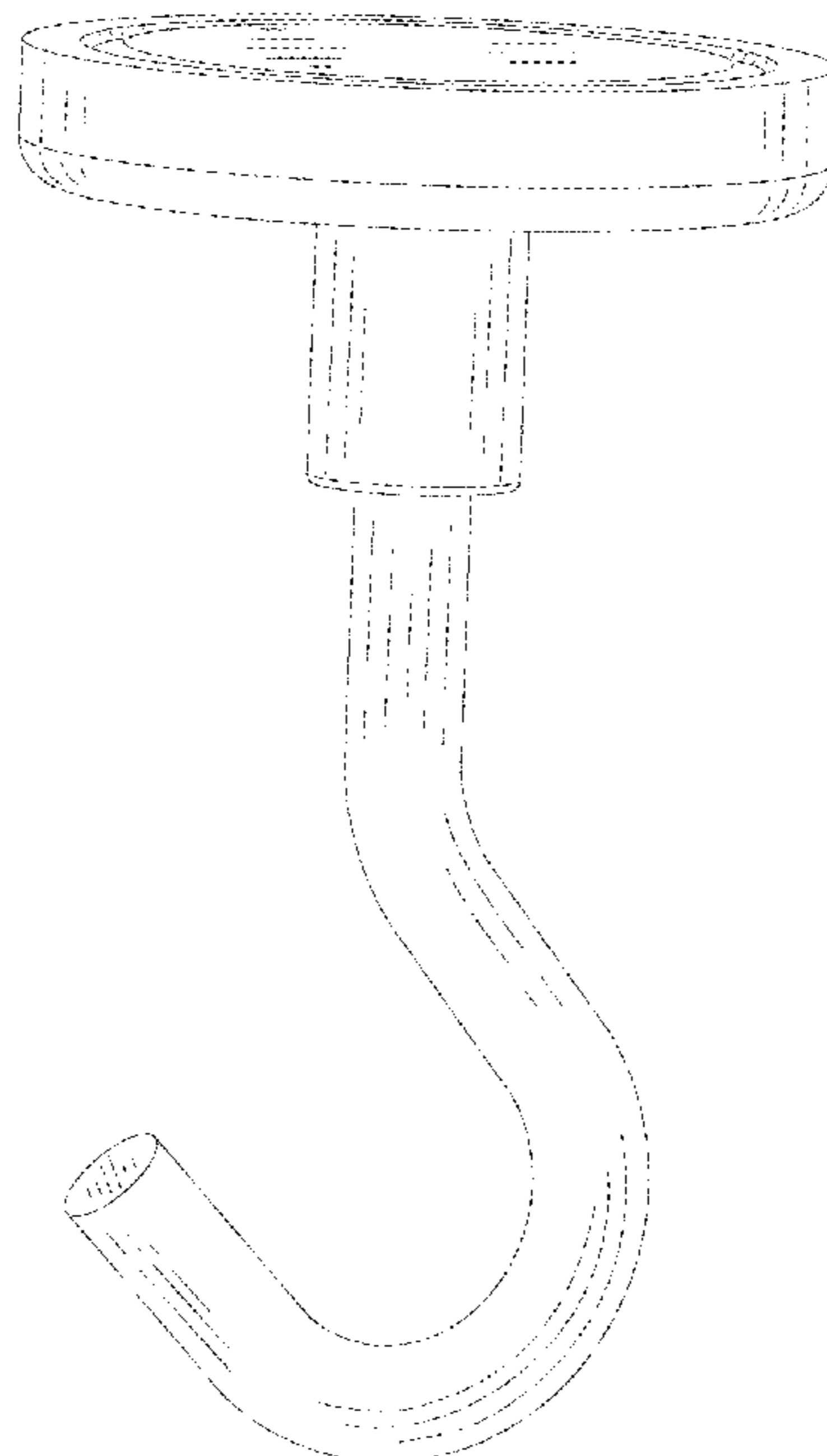
(57) **CLAIM**

The ornamental design for magnetic hook, as shown and described.

**DESCRIPTION**

FIG. 1 is a perspective view of a magnetic hook showing my new design;  
FIG. 2 is a front view thereof;  
FIG. 3 is a rear view thereof;  
FIG. 4 is a left side view thereof;  
FIG. 5 is a right side view thereof;  
FIG. 6 is a top plan view thereof; and,  
FIG. 7 is a bottom plan view thereof.

**1 Claim, 7 Drawing Sheets**



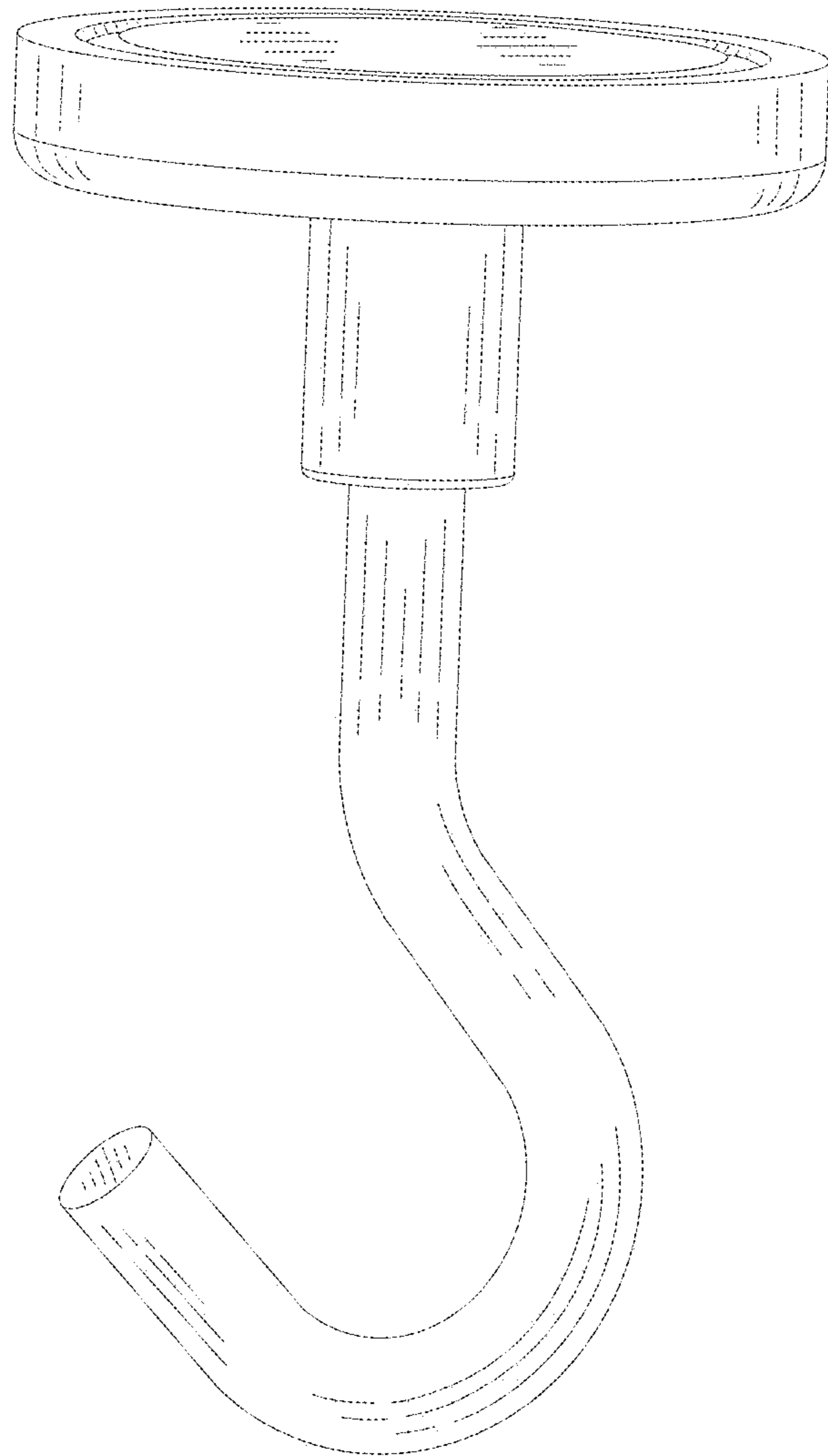


FIG. 1

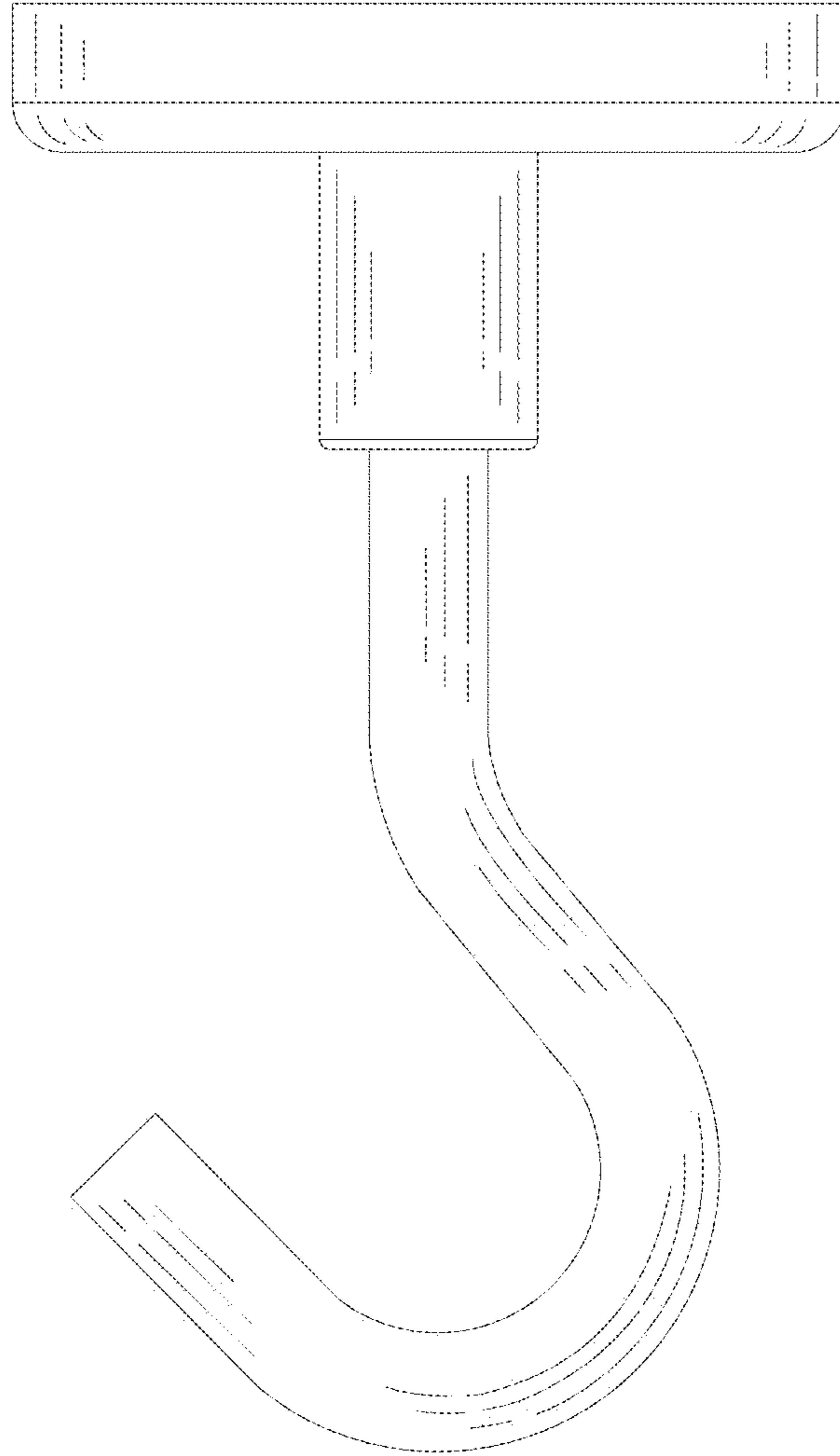


FIG. 2

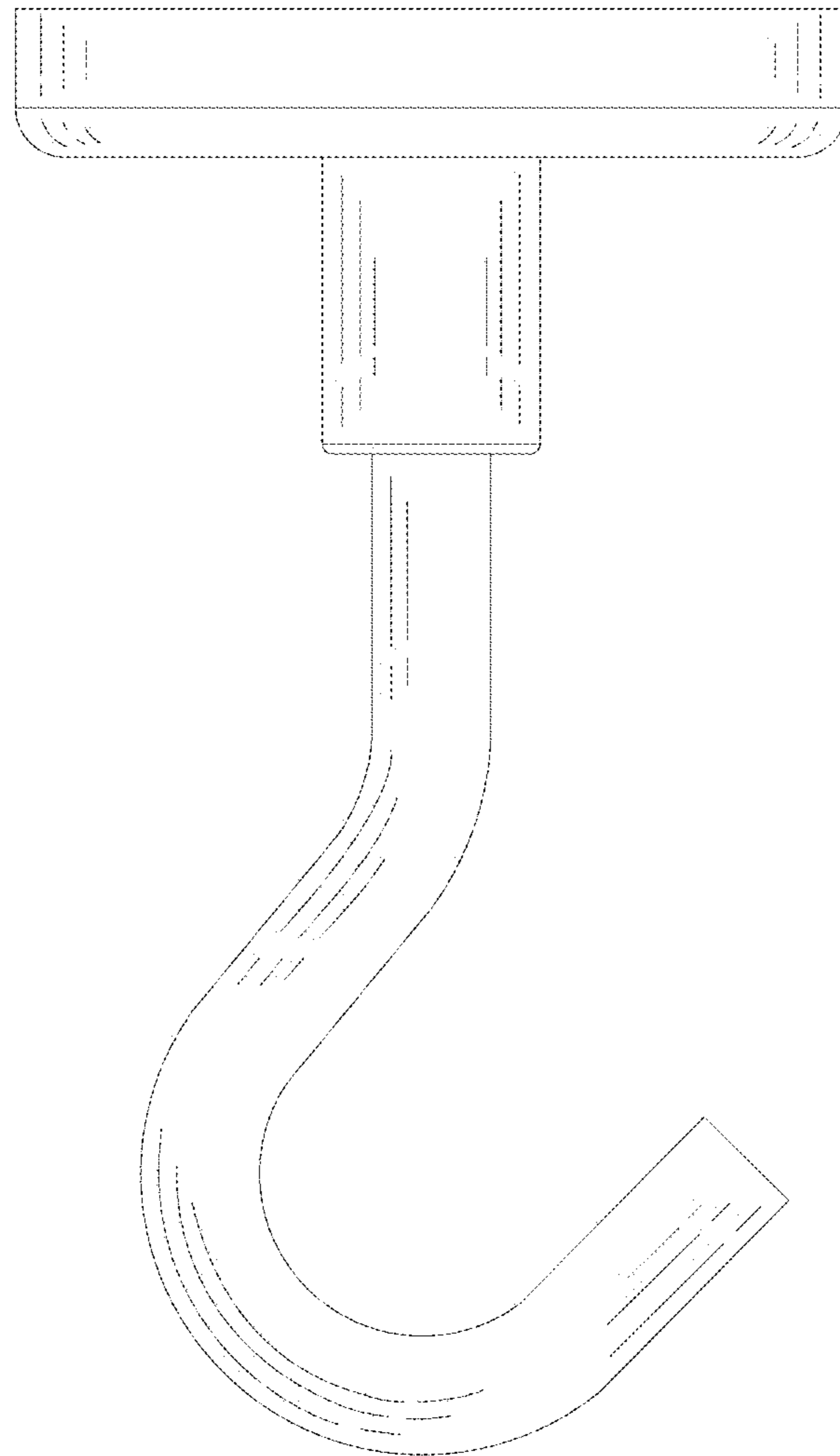


FIG. 3

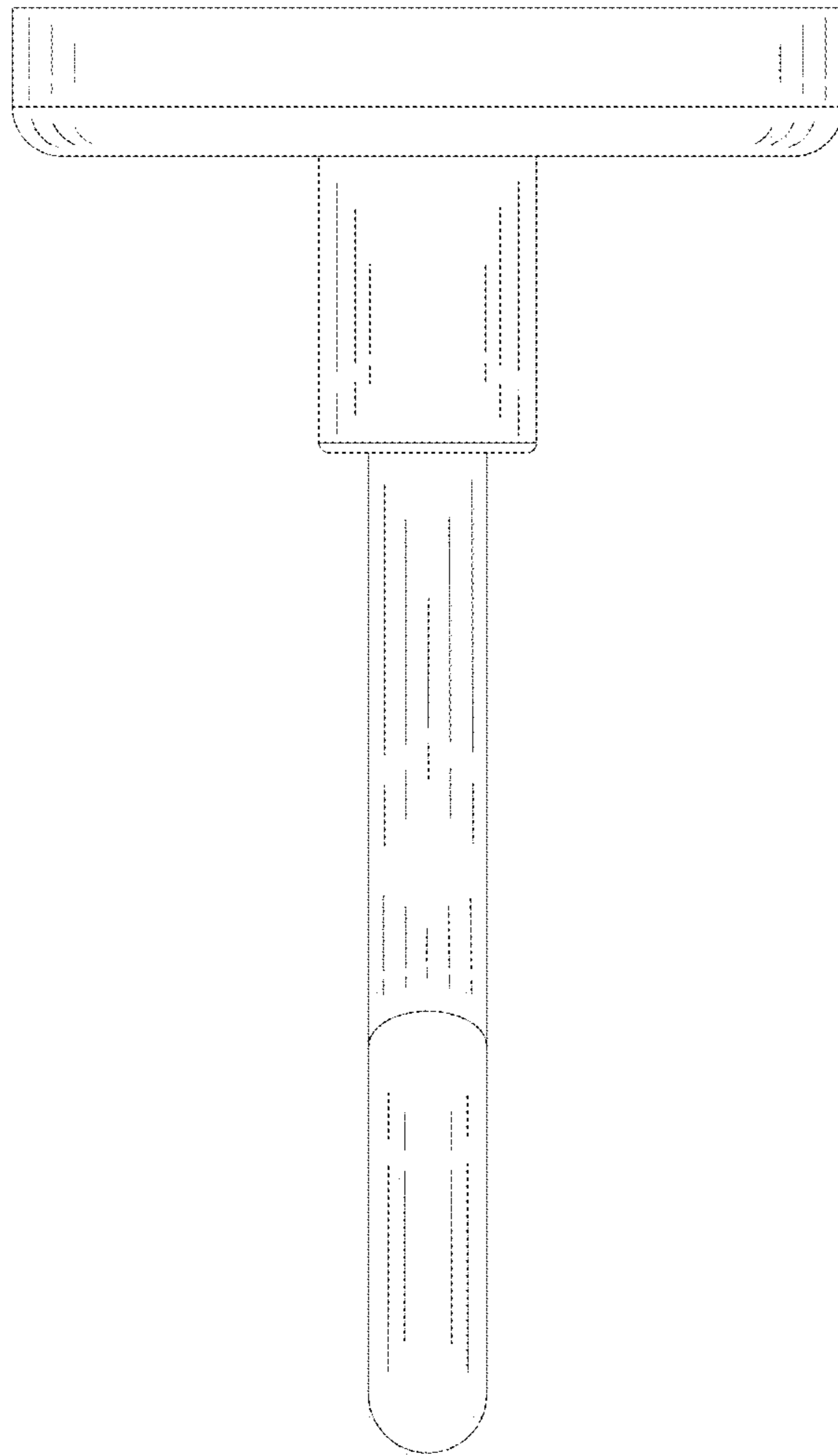


FIG. 4

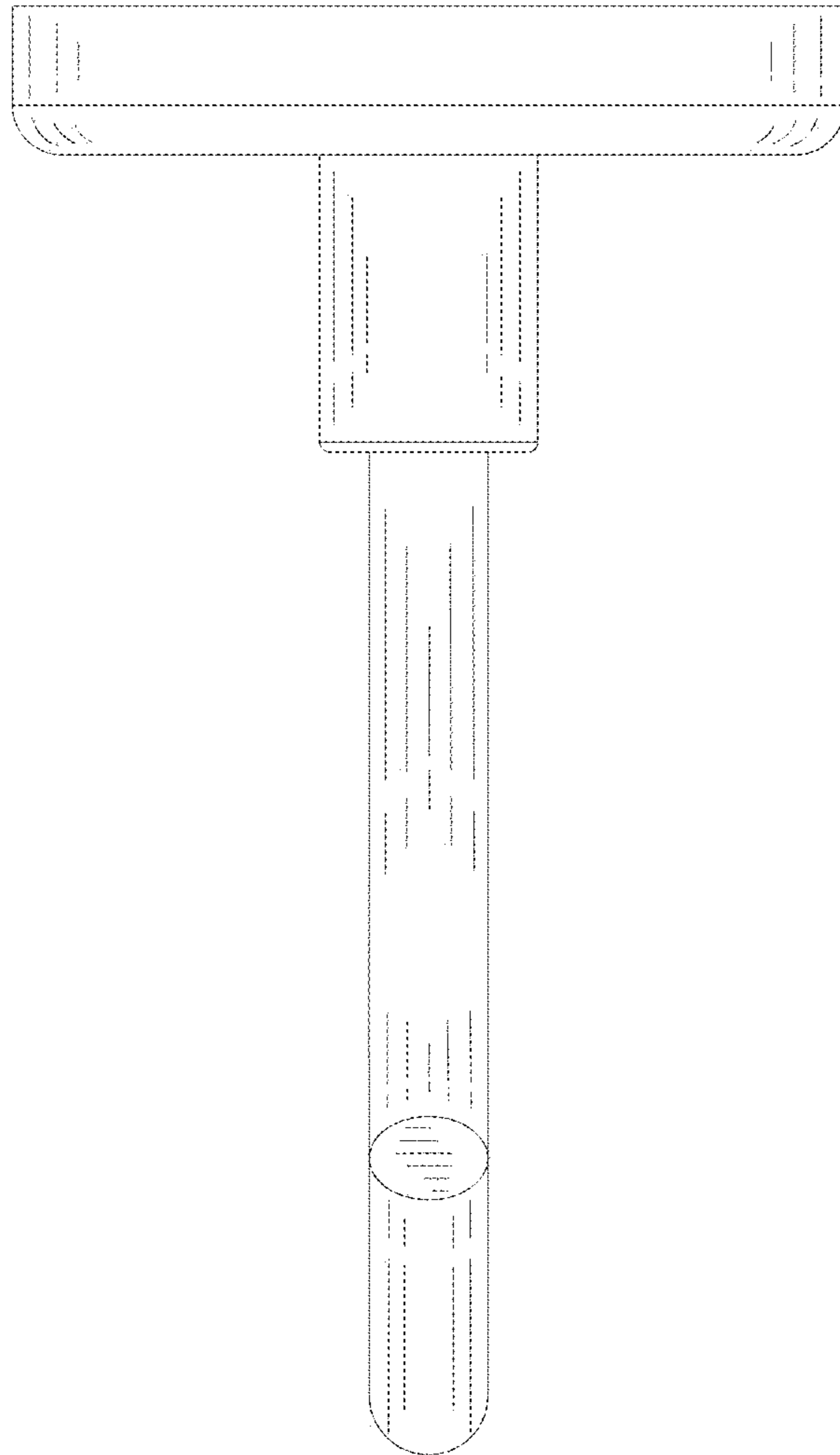


FIG. 5

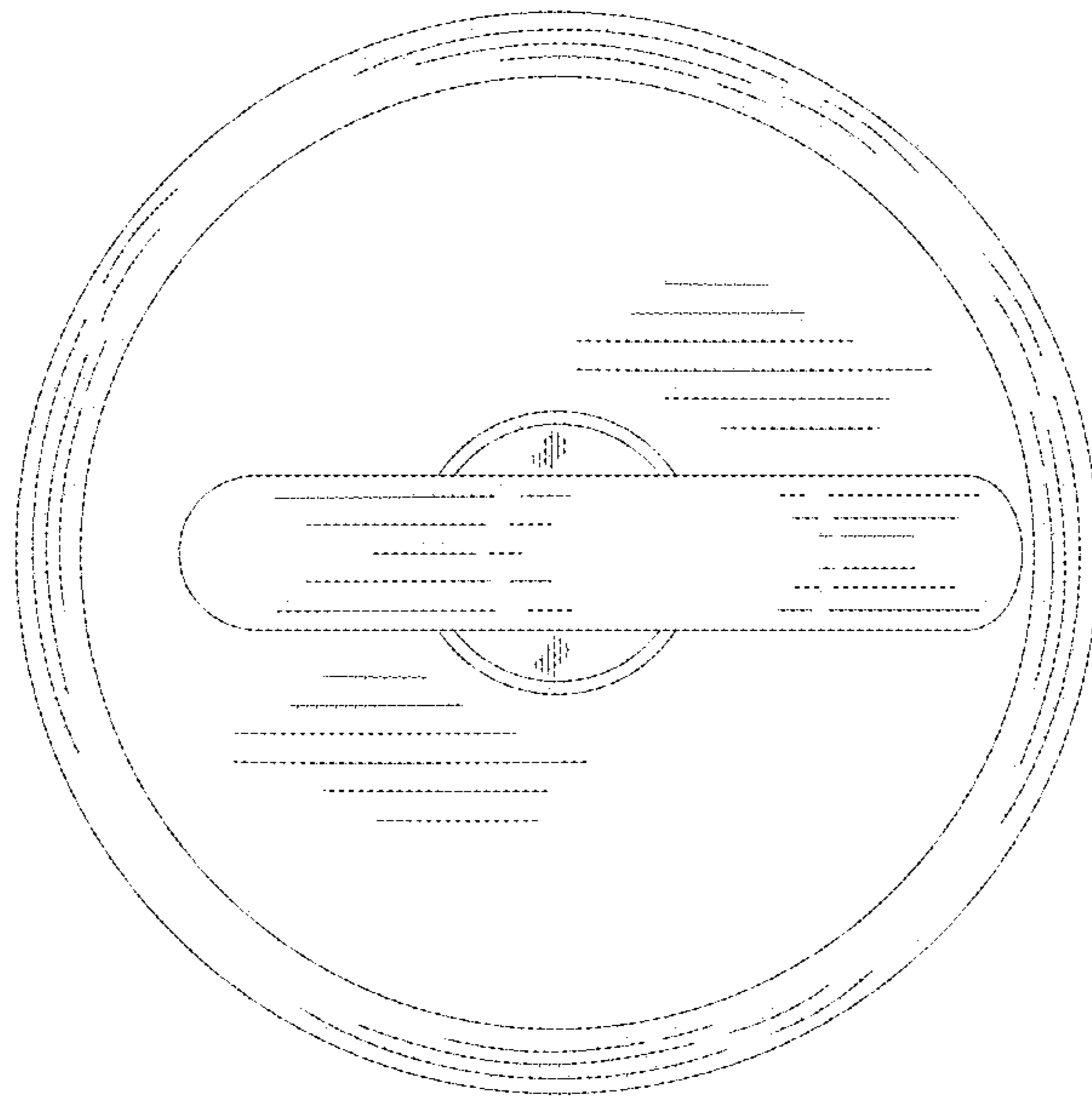


FIG. 6

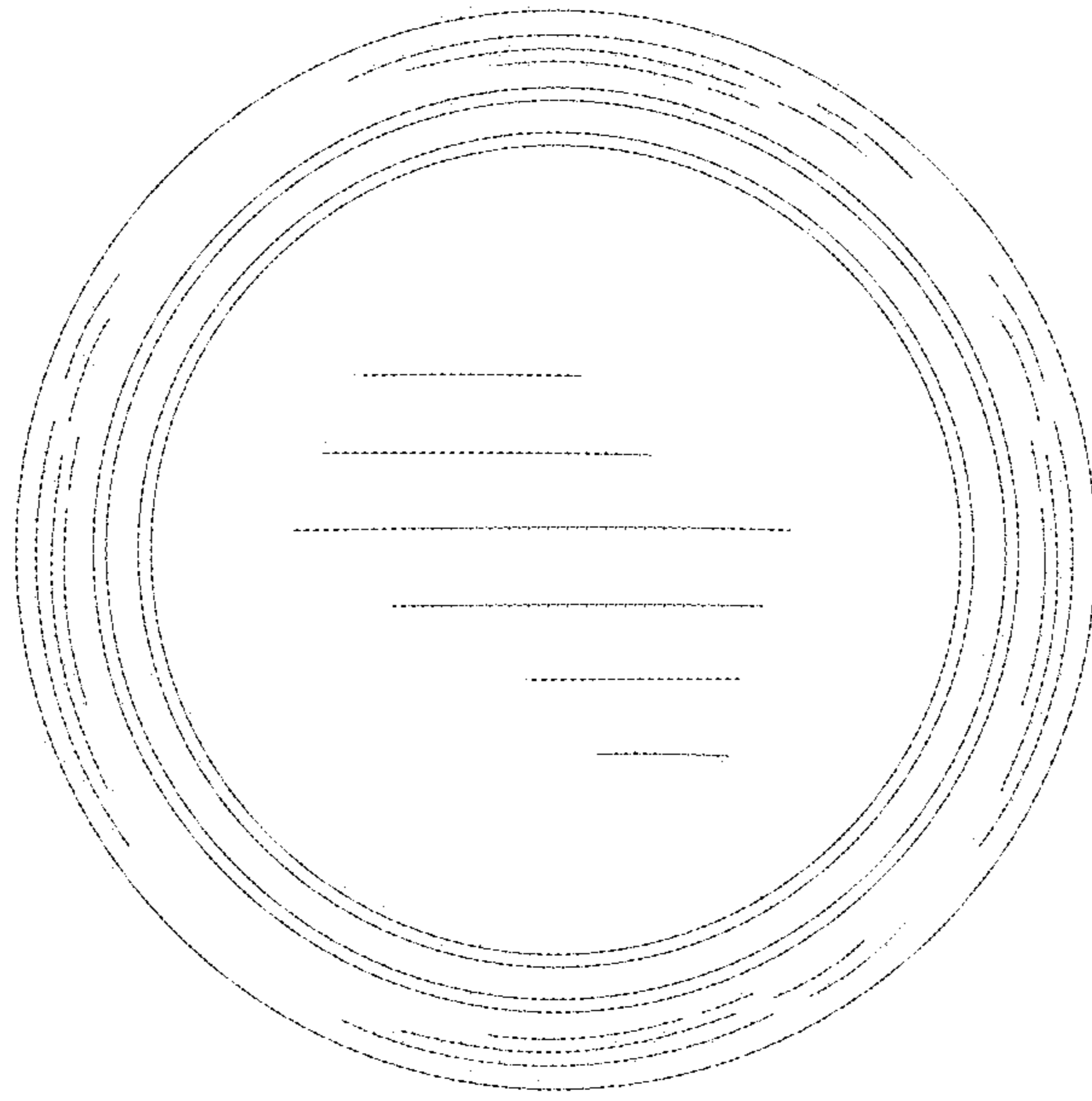


FIG. 7





US00D945866C1

(12) **EX PARTE REEXAMINATION CERTIFICATE** (12529th)  
**United States Patent**  
**Luo**

(10) **Number:** **US D945,866 C1**  
(45) **Certificate Issued:** **Feb. 28, 2024**

(54) **MAGNETIC HOOK**

(71) Applicant: **Xiaorong Luo**, Laohekou (CN)

(72) Inventor: **Xiaorong Luo**, Laohekou (CN)

**Reexamination Request:**

No. 90/015,129, Jan. 6, 2023

**Reexamination Certificate for:**

Patent No.: **Des. 945,866**  
Issued: **Mar. 15, 2022**  
Appl. No.: **29/772,924**  
Filed: **Mar. 4, 2021**

(52) **U.S. Cl.**

USPC ..... **D8/367**

(58) **Field of Classification Search**

USPC ..... **D8/367**

See application file for complete search history.

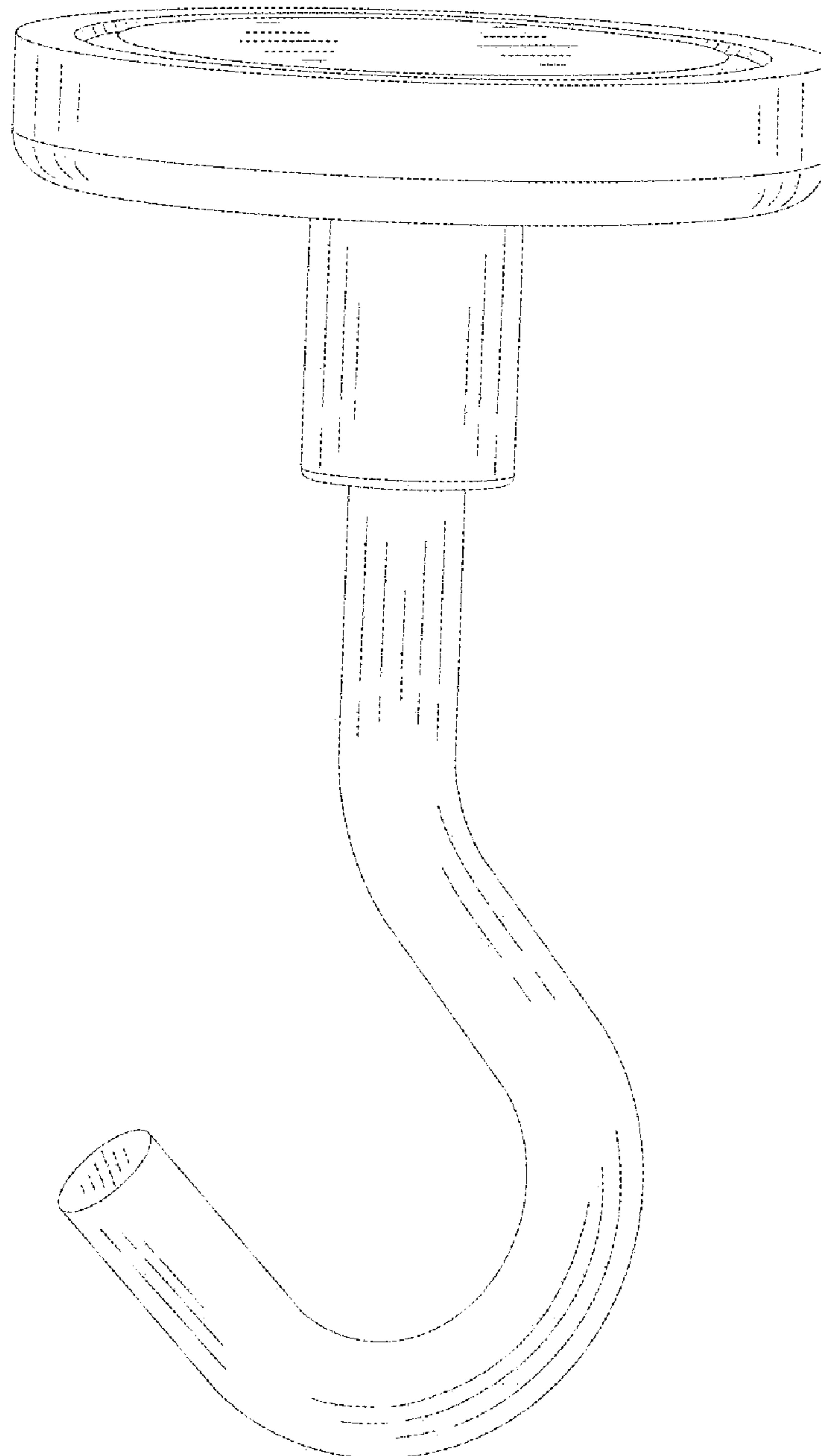
(56)

**References Cited**

To view the complete listing of prior art documents cited during the proceeding for Reexamination Control Number 90/015,129, please refer to the USPTO's Patent Electronic System.

(51) **LOC (14) Cl.** ..... **08-05**

*Primary Examiner* — Brett Miller



**1**  
**EX PARTE**  
**REEXAMINATION CERTIFICATE**

THE PATENT IS HEREBY AMENDED AS 5  
INDICATED BELOW.

AS A RESULT OF REEXAMINATION, IT HAS BEEN  
DETERMINED THAT:

The claim 1 is cancelled. 10

\* \* \* \* \*