

US00D945863S

(12) **United States Design Patent**
Velenchenko et al.

(10) **Patent No.:** **US D945,863 S**
(45) **Date of Patent:** **** Mar. 15, 2022**

- (54) **LOW PROFILE RETRACTABLE LANYARD**
- (71) Applicant: **Tenacious Holdings, Inc.**, St. Paul, MN (US)
- (72) Inventors: **Brent Velenchenko**, Minneapolis, MN (US); **Nathan Bohmbach**, Lakeville, MN (US); **Dominique Aris**, Rolling Hills Estates, CA (US)
- (73) Assignee: **Tenacious Holdings, Inc.**, St. Paul, MN (US)
- (**) Term: **15 Years**
- (21) Appl. No.: **29/709,276**
- (22) Filed: **Oct. 12, 2019**
- (51) **LOC (13) Cl.** **09-06**
- (52) **U.S. Cl.**
USPC **D8/356**
- (58) **Field of Classification Search**
USPC D8/356, 394, 395, 396, 354, 349
CPC F16G 11/14; G10D 3/14; B65D 63/16;
A63B 21/0557; A61F 2/2445
See application file for complete search history.

- D521,231 S * 5/2006 Ng D3/208
- D576,248 S * 9/2008 Jianwei D22/137
- D584,937 S * 1/2009 Kovacik D8/358
- D597,822 S * 8/2009 Olsen D8/356
- D670,601 S * 11/2012 Paik D11/218
- D675,009 S * 1/2013 Votel D3/215
- D675,010 S * 1/2013 Votel D3/215
- D675,012 S * 1/2013 Votel D3/215
- D675,013 S * 1/2013 Votel D3/215
- 8,793,842 B2 * 8/2014 Donovan F16G 11/14
24/115 R
- 8,875,353 B2 * 11/2014 Miron F16G 11/14
24/3.13
- 9,145,948 B2 * 9/2015 Corio F16G 11/04
- D742,722 S * 11/2015 Paik D8/356
- D744,320 S * 12/2015 Parrish F16B 2/08
D8/356
- D745,380 S * 12/2015 Williams D8/394
- 9,334,925 B2 * 5/2016 Corman F16G 11/06
- D763,671 S * 8/2016 Sizelove D8/394

(Continued)

Primary Examiner — Cynthia R Underwood
(74) *Attorney, Agent, or Firm* — Skaar Ulbrich Macari, P.A.

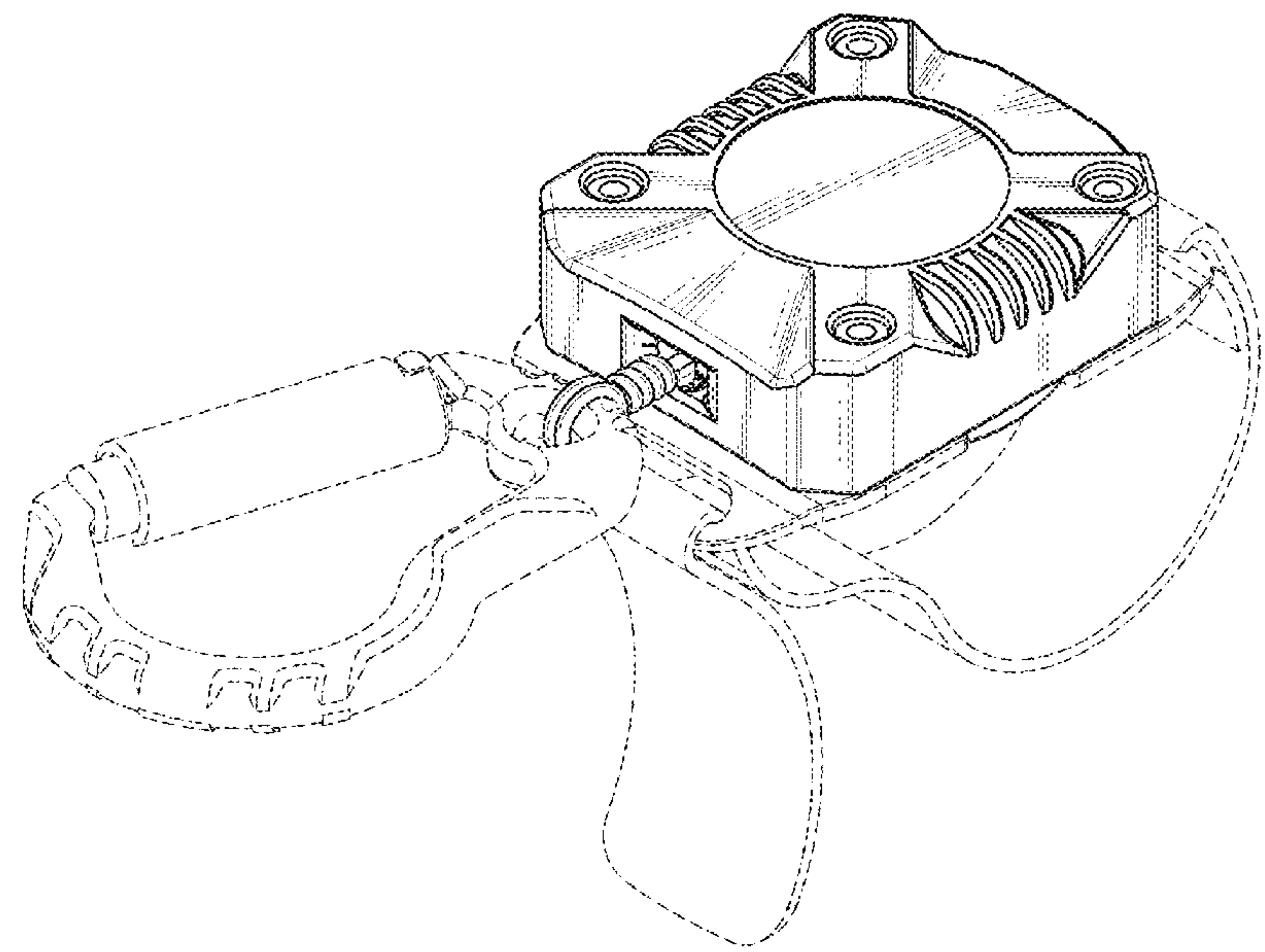
(57) **CLAIM**
The ornamental design for a low profile retractable lanyard, as shown and described.

DESCRIPTION

FIG. 1 is a perspective view of a low profile retractable lanyard showing our new design; FIG. 2 is a front elevation view thereof; FIG. 3 is a rear elevation view thereof; FIG. 4 is a bottom plan view thereof; FIG. 5 is a top plan view thereof; FIG. 6 is a left elevation view thereof; and, FIG. 7 is a right elevation view thereof. The broken lines depict an environment of use and form no part of the claim.

1 Claim, 7 Drawing Sheets

- (56) **References Cited**
U.S. PATENT DOCUMENTS
- D124,073 S * 12/1940 Gottlieb D30/153
- 3,054,573 A * 9/1962 Spencer G01B 3/1005
242/375.1
- 4,192,078 A * 3/1980 Lore B44D 3/38
33/414
- D298,214 S * 10/1988 Adachi D8/359
- 5,697,128 A * 12/1997 Peregrine F16G 11/14
24/115 G
- D400,349 S * 11/1998 Young D3/208
- D504,606 S * 5/2005 Kovacik D8/358
- D511,294 S * 11/2005 Kovacik D8/358



(56)

References Cited

U.S. PATENT DOCUMENTS

D770,563 S *	11/2016	Milone	G10D 3/14	10,302,118 B2 *	5/2019	Bensoussan	F16B 21/165
				D17/20	10,362,767 B2 *	7/2019	Blaylock	B65H 75/446
D770,583 S *	11/2016	Andrews	D21/753	10,405,519 B2 *	9/2019	Rogers	A01K 15/02
D771,324 S *	11/2016	Churchill	D30/153	D862,208 S *	10/2019	Mezzalana	D8/356
D777,567 S *	1/2017	Diener	D8/394	10,455,841 B2 *	10/2019	Heurman	A22B 5/0005
D785,443 S *	5/2017	Paik	D8/356	D868,566 S *	12/2019	Ellard	D8/356
D804,270 S *	12/2017	Huang	D8/71	D890,020 S *	7/2020	Burke	D11/215
9,913,999 B2 *	3/2018	Balquist	A62B 35/0093	D890,021 S *	7/2020	Burke	D11/215
D819,957 S *	6/2018	Fina	D3/207	10,881,390 B2 *	1/2021	Modesitt	A61F 2/2445
D822,916 S *	7/2018	Cox	D30/153	10,920,853 B2 *	2/2021	Bisang	A63B 21/0555
D823,559 S *	7/2018	Cox	D30/153	D911,822 S *	3/2021	Bailey	D8/356
D831,453 S *	10/2018	Yevchak	D8/40	10,941,835 B2 *	3/2021	Marchant	F16G 11/14
D839,662 S *	2/2019	Jacobsen	D7/391	2003/0005557 A1 *	1/2003	Renn	B65D 63/16
D841,796 S *	2/2019	Freeland	D23/382					24/115 G
10,231,439 B2 *	3/2019	Woods	A01K 27/004	2003/0038209 A1 *	2/2003	Remeczky	H02G 11/02
D845,558 S *	4/2019	Harris, II	A01K 27/004					242/610.6
				D30/153	2014/0283339 A1 *	9/2014	Gallagher	A63B 21/0557
									24/115 K
					2018/0242557 A1 *	8/2018	Woods	A01K 27/004
					2019/0150403 A1 *	5/2019	Zhu	B65H 75/4471

* cited by examiner

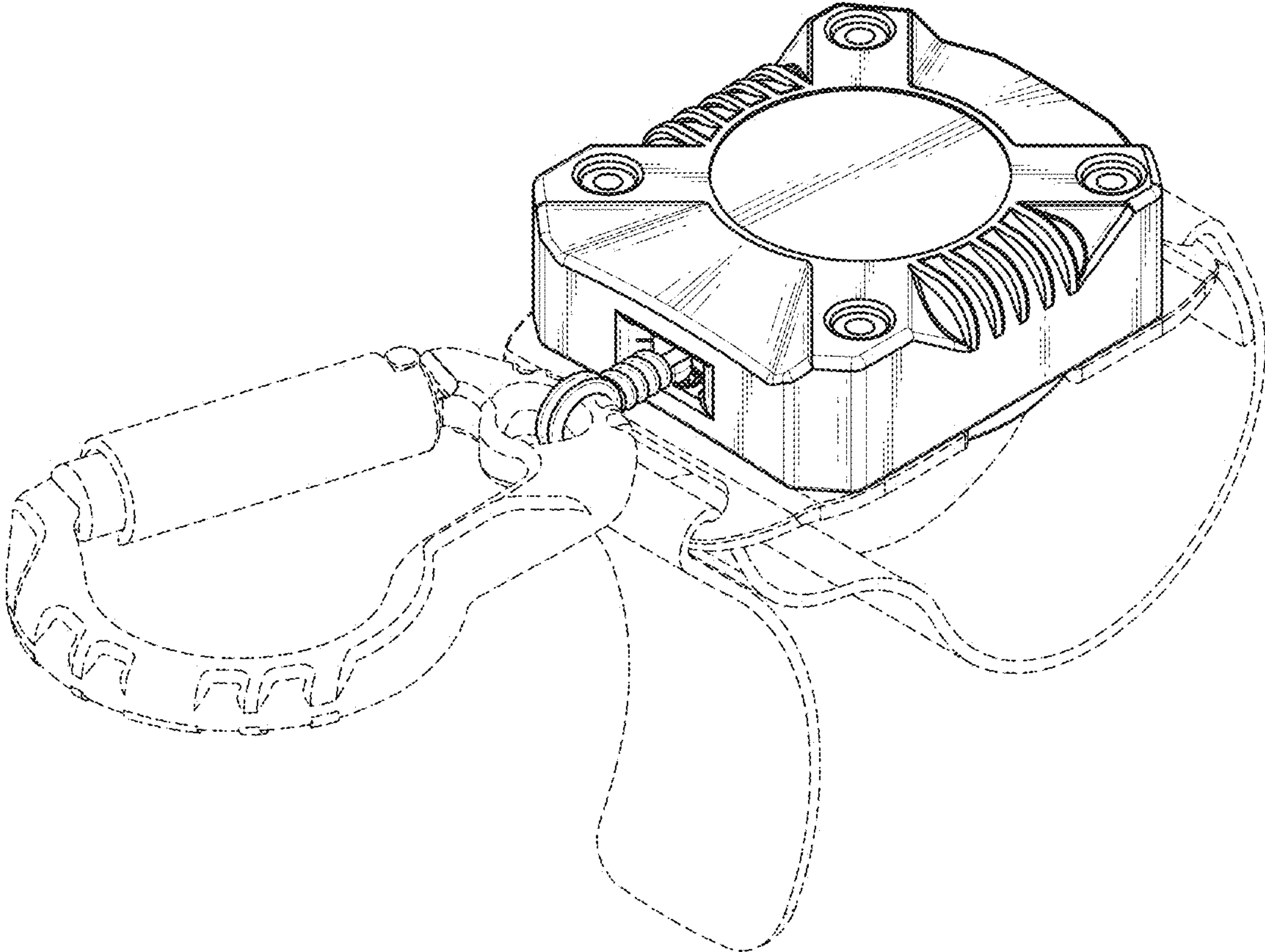


FIG. 1

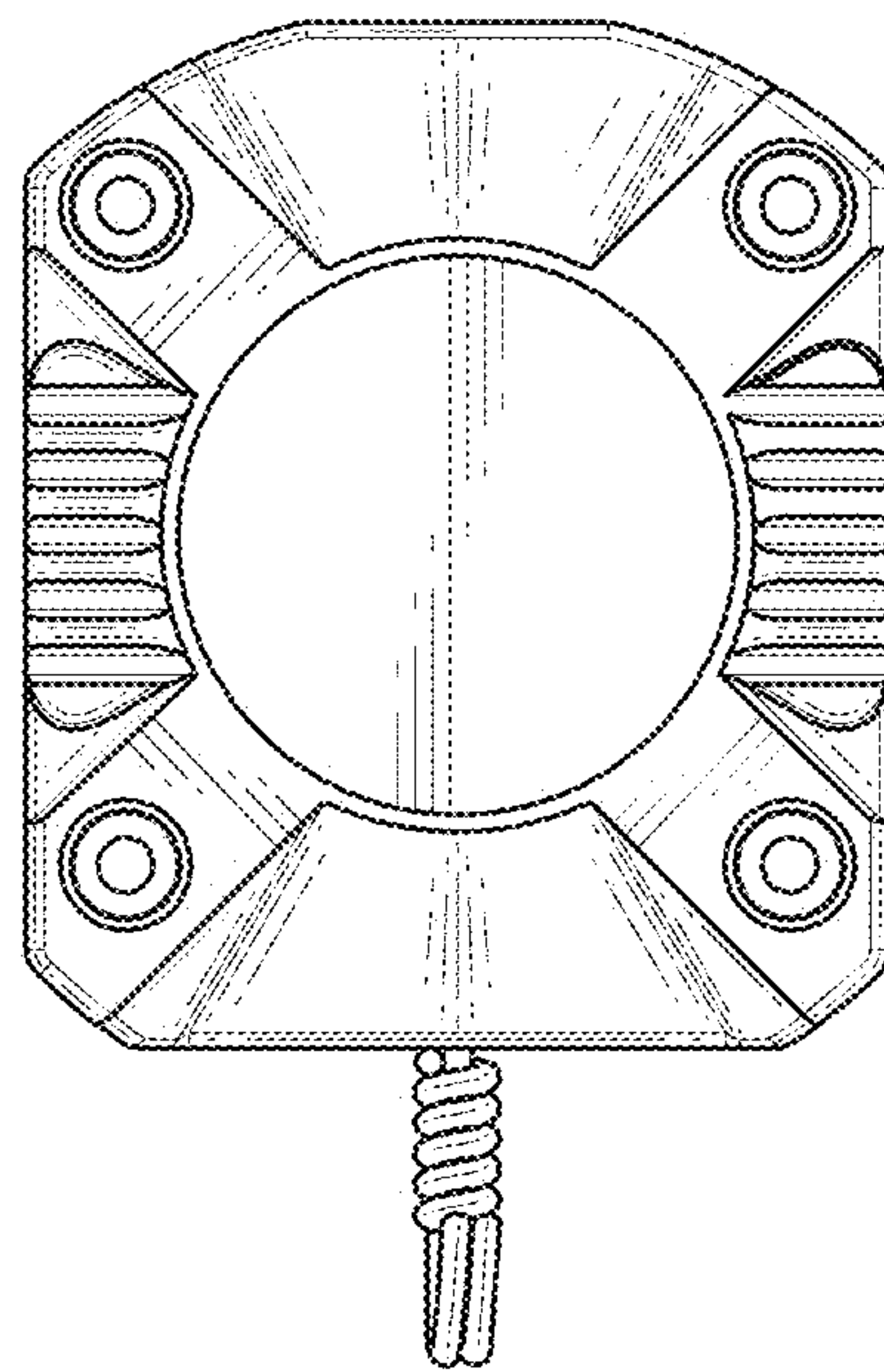


FIG. 2

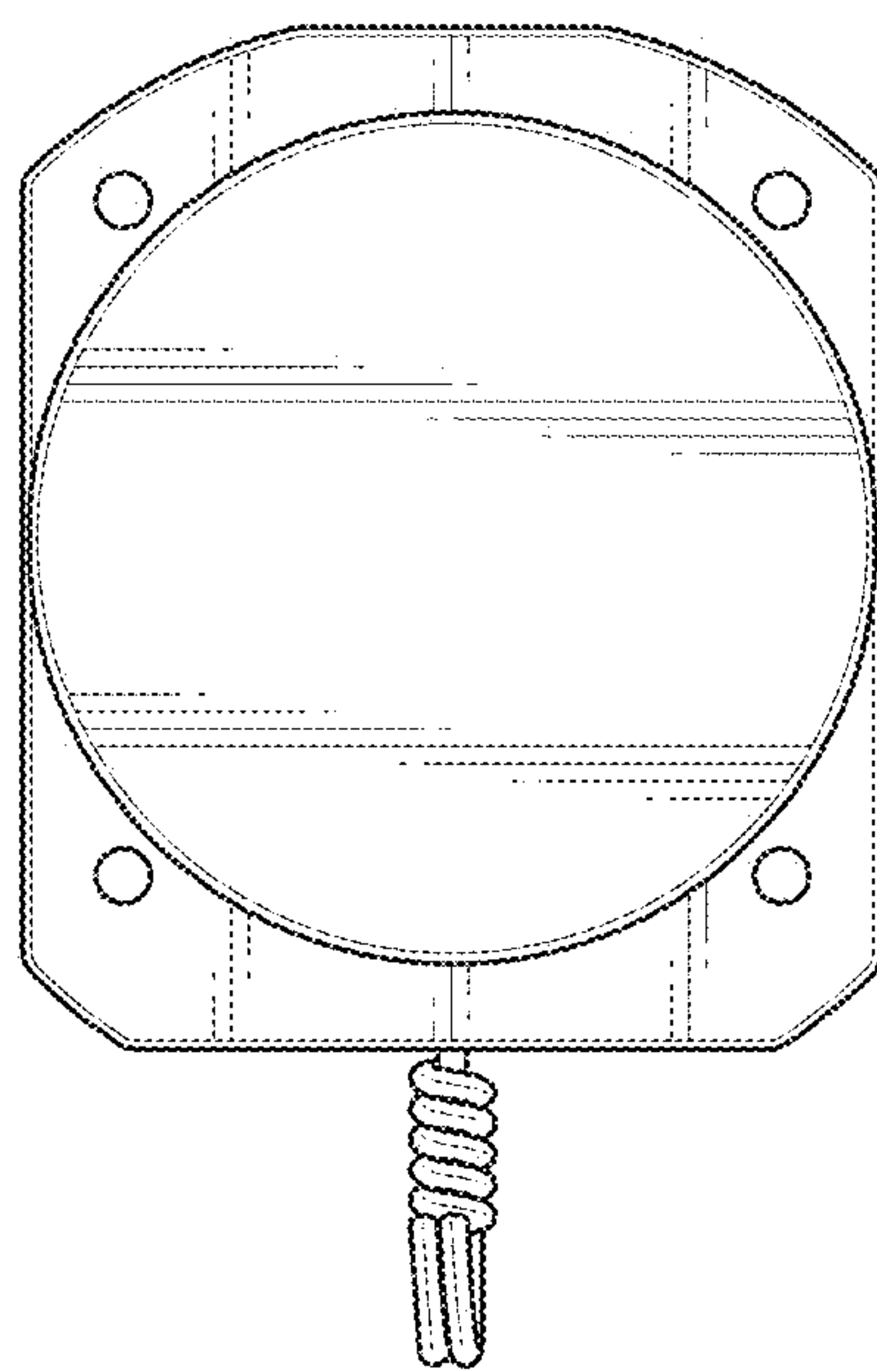


FIG. 3

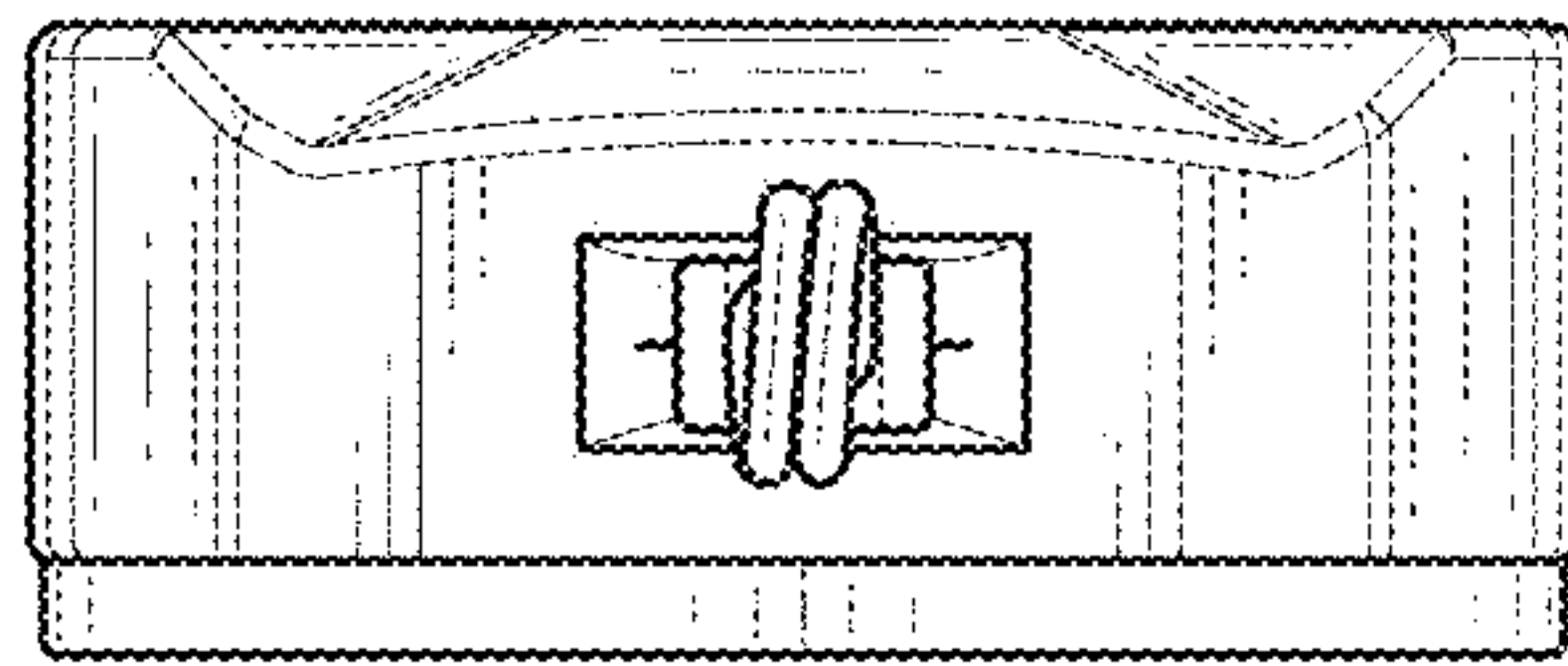


FIG. 4

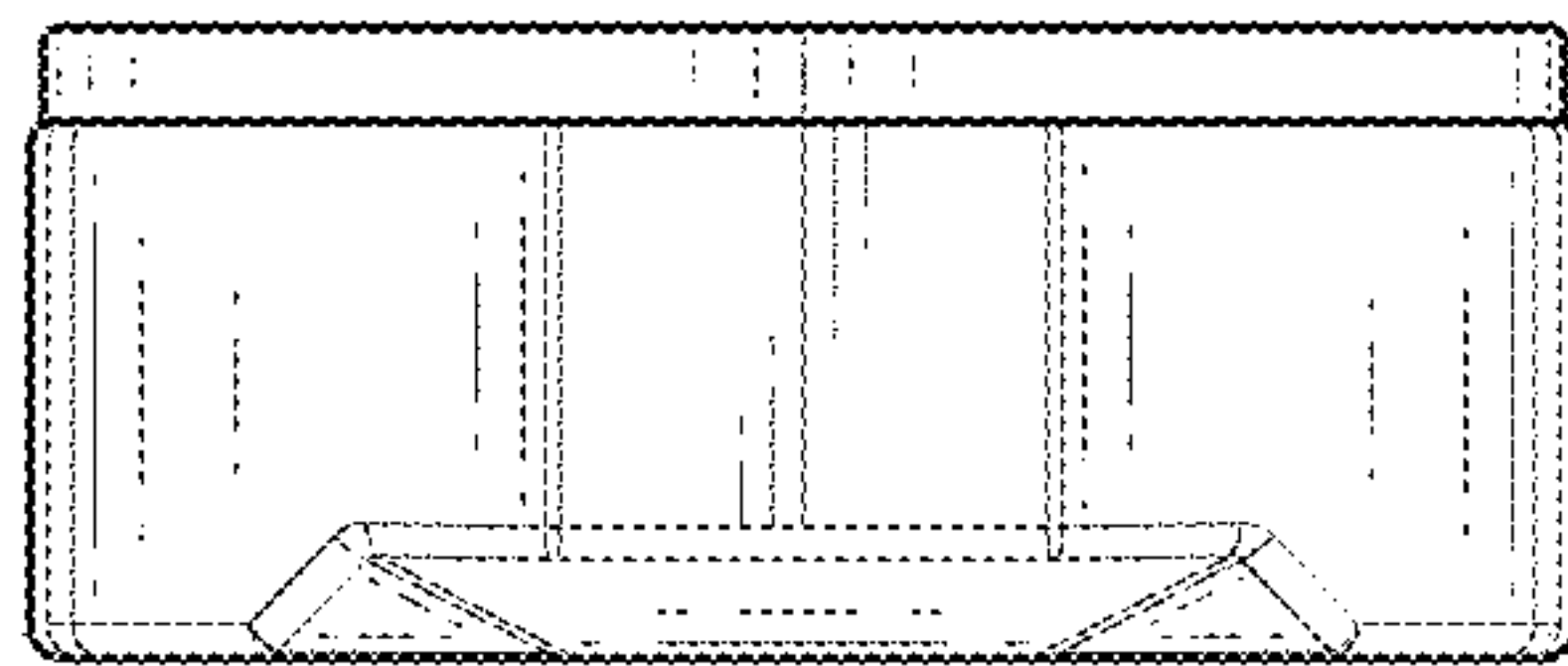


FIG. 5

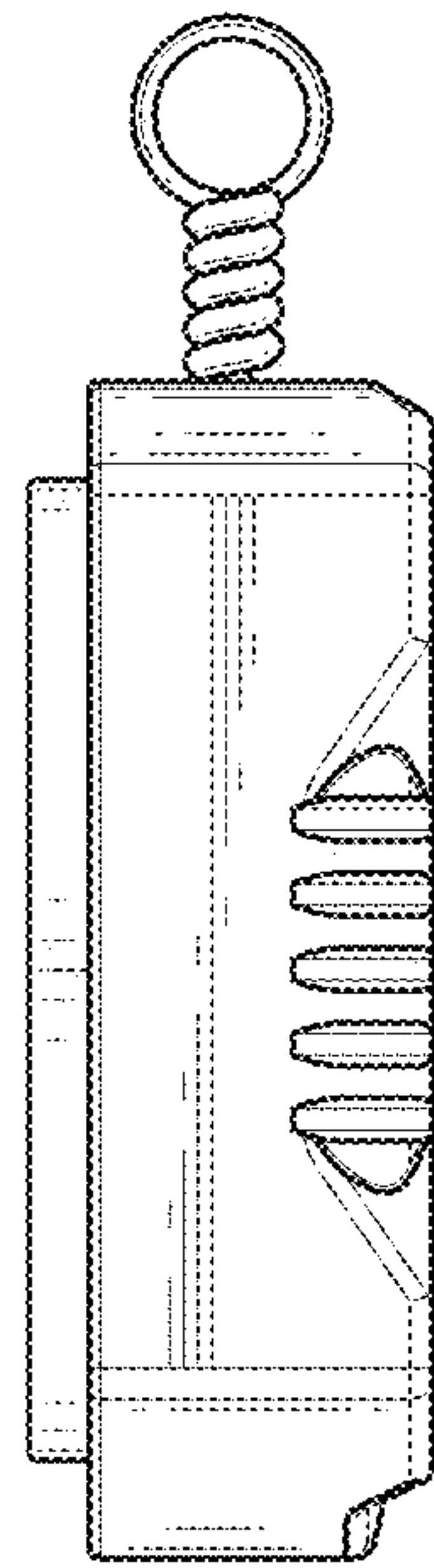


FIG. 6

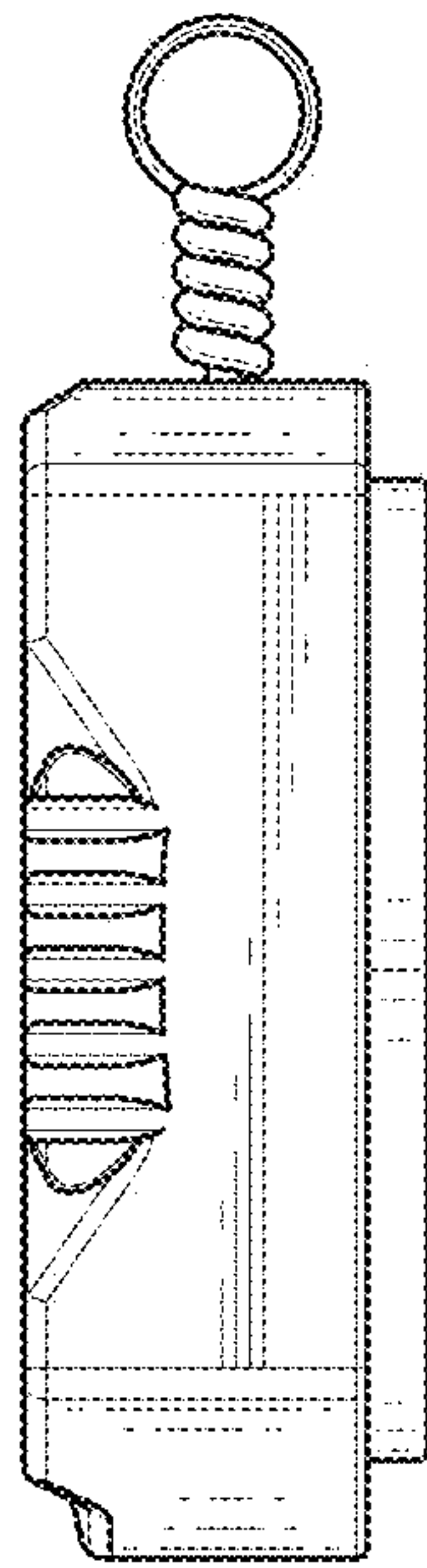


FIG. 7