



US00D945861S

(12) **United States Design Patent** (10) **Patent No.:** **US D945,861 S**
Lagun et al. (45) **Date of Patent:** **** Mar. 15, 2022**

(54) **FURNITURE CUPS** 8,321,994 B2 * 12/2012 Edwards B62B 15/00
16/42 R
(71) Applicants: **Andriy Lagun**, Kiev (UA); **Andrii Gurinenko**, Sofiivskaya Borschagivka (UA) D760,069 S * 6/2016 Pierce D8/374
D829,091 S * 9/2018 Hancock D8/402

(72) Inventors: **Andriy Lagun**, Kiev (UA); **Andrii Gurinenko**, Sofiivskaya Borschagivka (UA)

(**) Term: **15 Years**

(21) Appl. No.: **29/739,467**

(22) Filed: **Jun. 25, 2020**

(51) **LOC (13) Cl.** **08-05**

(52) **U.S. Cl.**
USPC **D8/354; D8/374**

(58) **Field of Classification Search**
USPC D8/354, 400, 402, 499, 374, 375;
D6/382, 406.3, 406.6
CPC A47B 91/06; A47B 2091/063
See application file for complete search history.

(56) **References Cited**

U.S. PATENT DOCUMENTS

D120,409 S * 5/1940 Myers D27/133
2,787,085 A * 4/1957 Auer A47B 91/12
248/346.11
D242,554 S * 11/1976 Flanagan D99/25
D295,962 S * 5/1988 Conlon D24/227
5,220,705 A * 6/1993 Bushey A47B 91/06
16/42 R
D379,922 S * 6/1997 Adams D8/402
D460,681 S * 7/2002 Edwards D8/354
D481,624 S * 11/2003 Miskill D8/400
D526,189 S * 8/2006 Haymond D8/402
D586,612 S * 2/2009 Rae D7/354
D594,270 S * 6/2009 Rae D7/354
D661,575 S * 6/2012 Ruiz D8/374

OTHER PUBLICATIONS

www.amazon.com, Furniture Cups X-PROTECTOR—2" Caster
Cups 4 PCS—Premium Furniture Coasters—Ideal Bed Stoppers—
Non Skid Furniture Pads with a Perfect Design—Rubber Furniture
Pads—Protect Any Flooring!, Nov. 18, 2019 (Year: 2019).*

* cited by examiner

Primary Examiner — Keli L Hill

Assistant Examiner — Harold E Blackwell, II

(74) *Attorney, Agent, or Firm* — The Roy Gross Law
Firm, LLC; Roy Gross

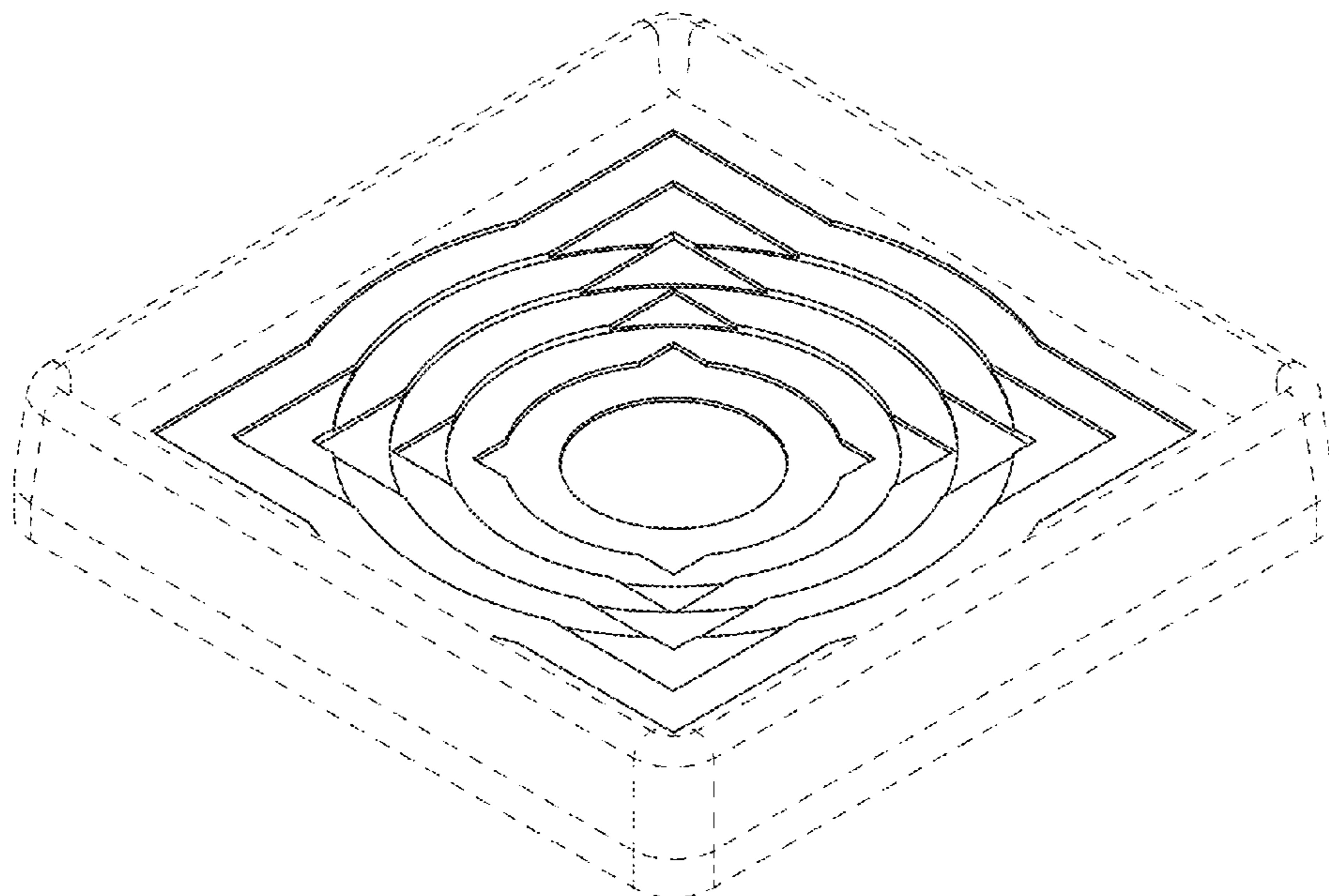
(57) **CLAIM**

The ornamental design for furniture cups, as shown and
described.

DESCRIPTION

FIG. 1 is a top perspective view of a furniture cups in
accordance with the new design;
FIG. 2 is a side view thereof;
FIG. 3 is a bottom view thereof;
FIG. 4 is a top view thereof with measurements;
FIG. 5 is an side interior sectional view thereof along line
5-5' in FIG. 4; and,
FIG. 6 is a side interior sectional view thereof along line 6-6'
in FIG. 4.
The broken line portions shown in FIGS. 1-6 illustrate
environmental subject matter only and form no part of the
claimed design.

1 Claim, 3 Drawing Sheets



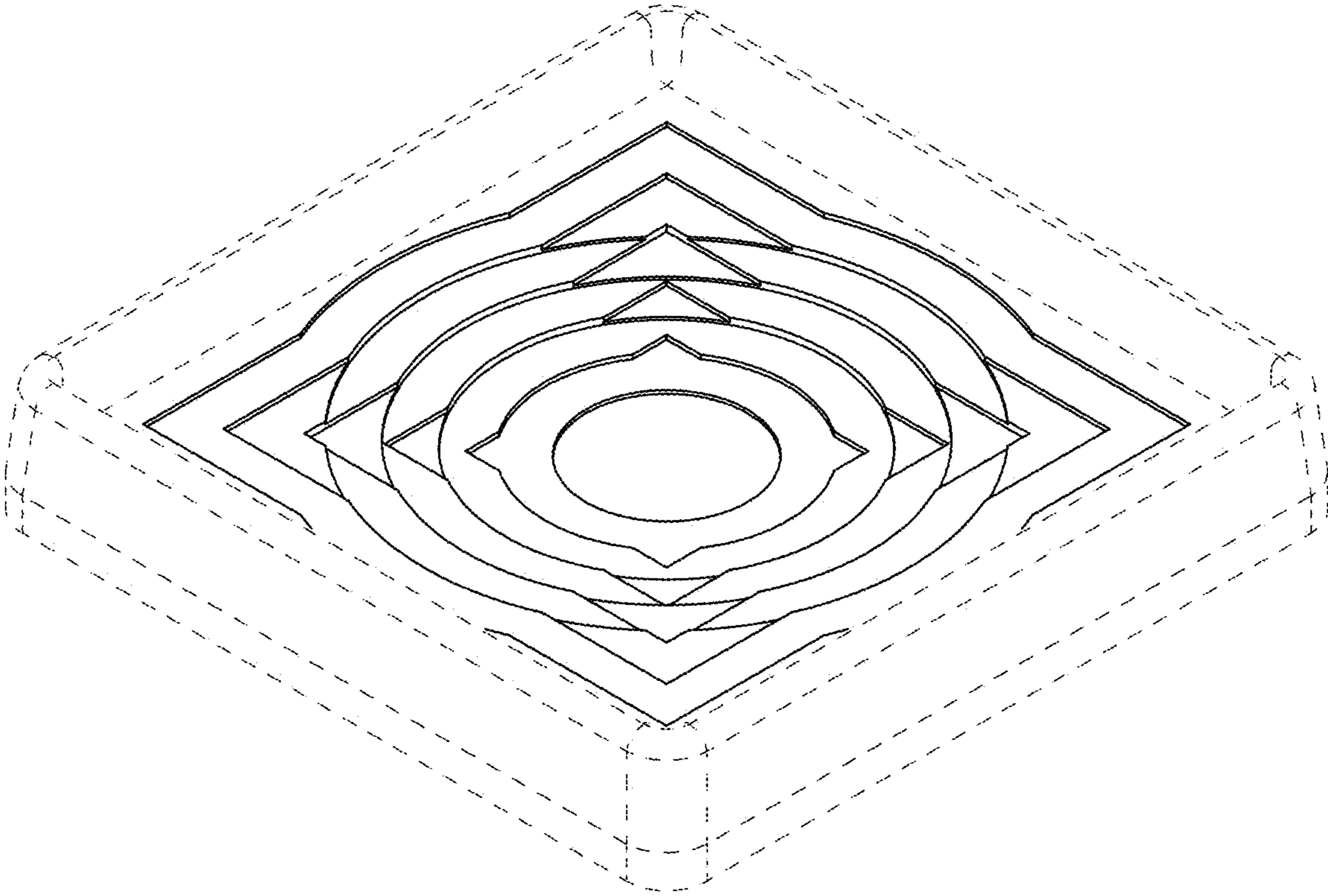


FIG. 1

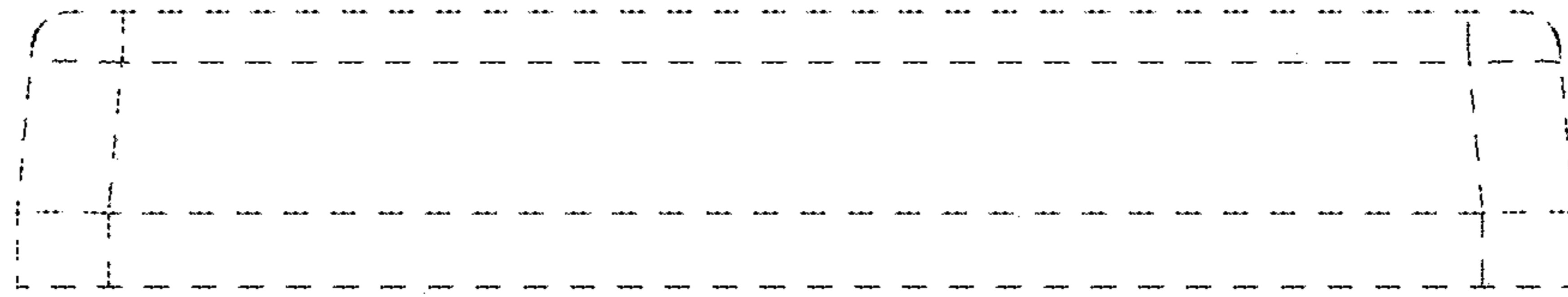


FIG. 2

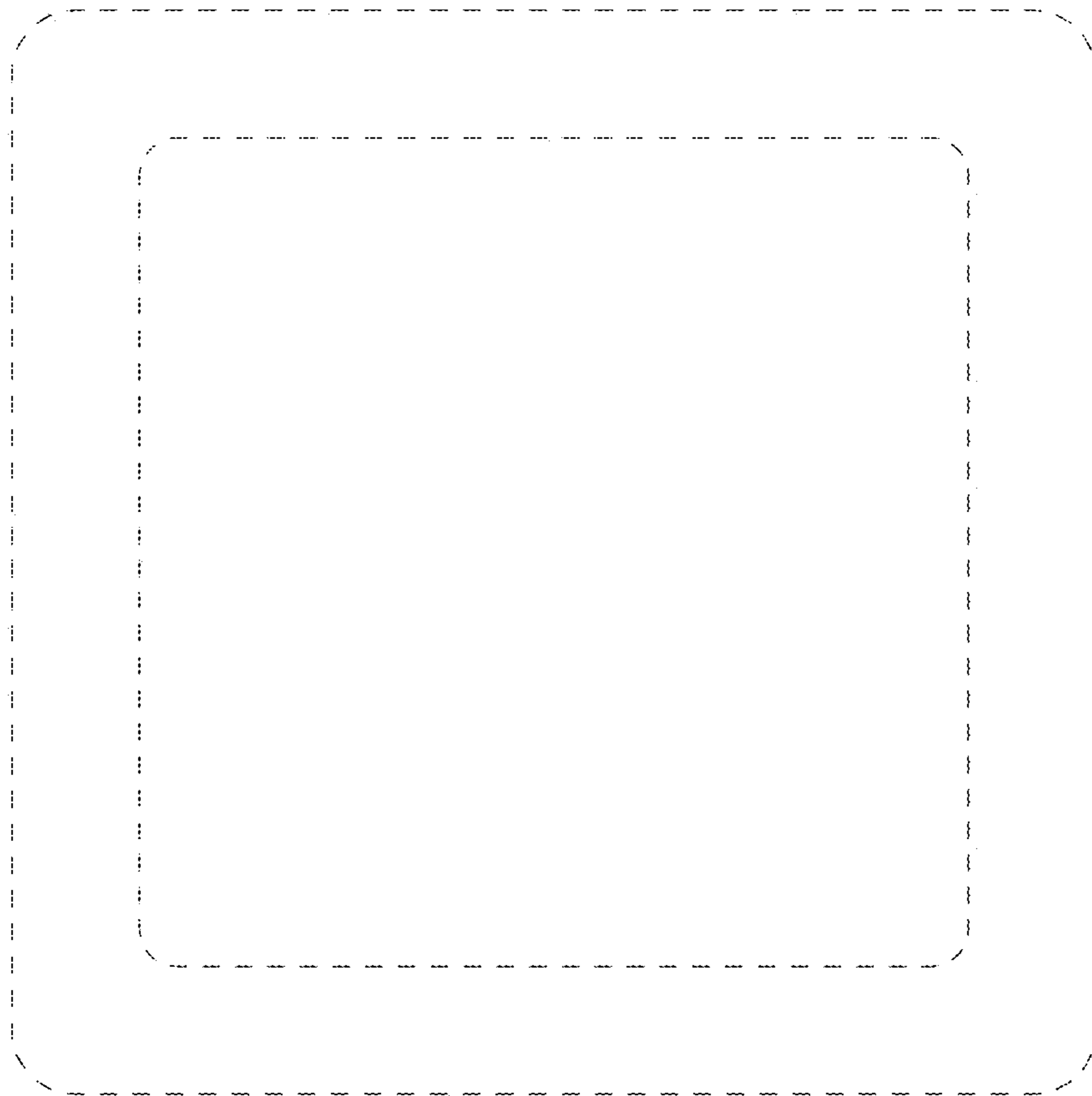


FIG. 3

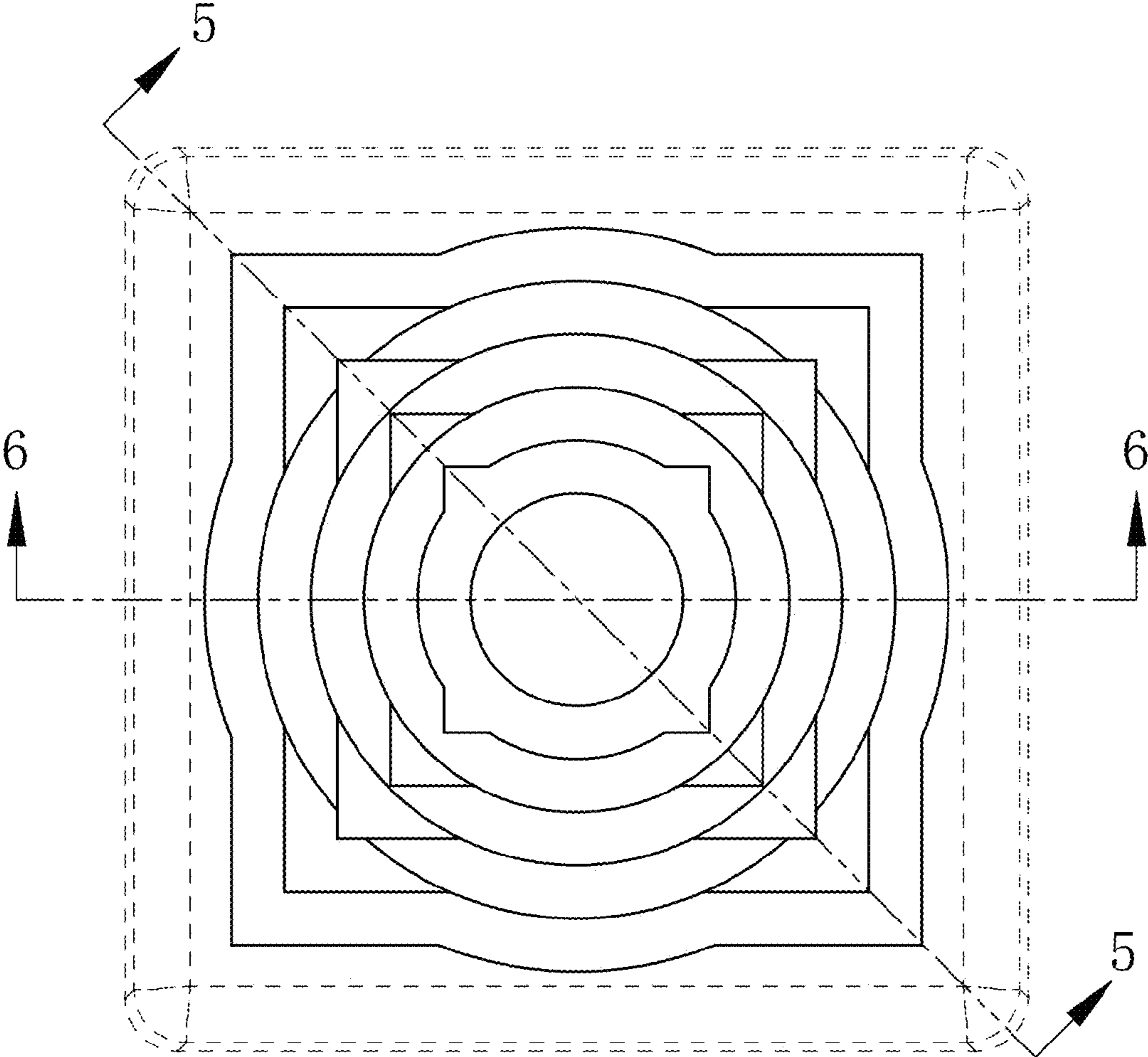


FIG. 4

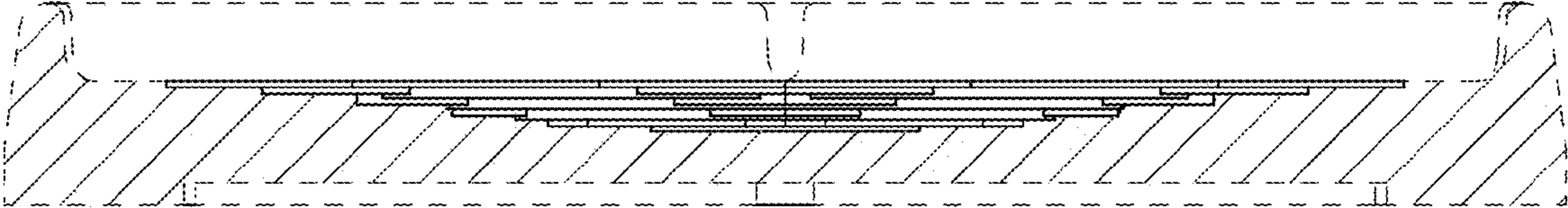


FIG. 5

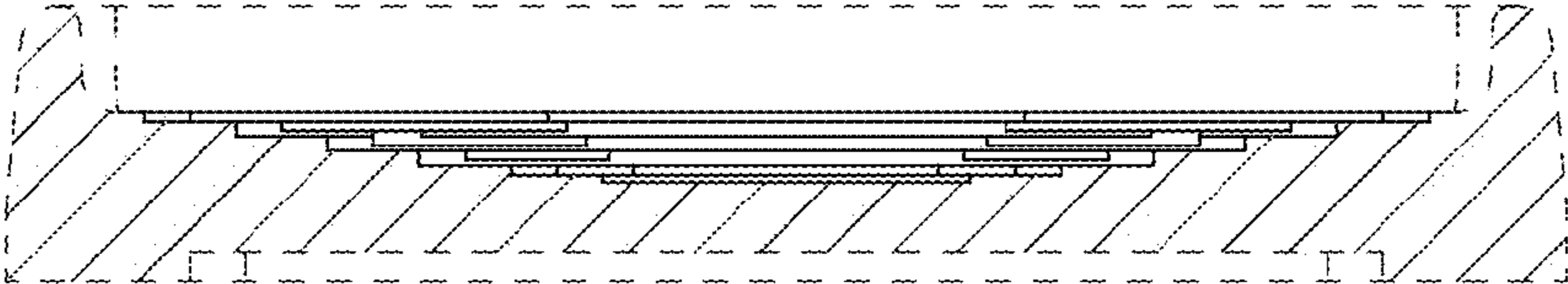


FIG. 6