



US00D945860S

(12) **United States Design Patent**
McGrath

(10) **Patent No.:** **US D945,860 S**

(45) **Date of Patent:** **** Mar. 15, 2022**

(54) **SUPPORT CLIP**

(71) Applicant: **Andrew Hascall McGrath**, Lafayette,
CA (US)

(72) Inventor: **Andrew Hascall McGrath**, Lafayette,
CA (US)

(73) Assignee: **Advanced Design Mfg LLC**, Antioch,
CA (US)

(**) Term: **15 Years**

(21) Appl. No.: **29/717,959**

(22) Filed: **Dec. 20, 2019**

(51) **LOC (13) Cl.** **08-05**

(52) **U.S. Cl.**
USPC **D8/354**

(58) **Field of Classification Search**
USPC D8/354-355, 357, 363-364, 367,
D8/374-375, 349, 394, 396-397;
D25/199, 68; D11/200, 208, 1, 79,
D11/85-88
CPC B41J 2/1752; B41J 2/17523; B65D
2563/107; B65D 63/1018; B65D 63/109;
E04B 5/12; E04C 3/02; E04G 23/0218;
E04G 23/0244; F16G 11/143; F16M
7/00; H01Q 1/1221; H01Q 1/1242
See application file for complete search history.

(56) **References Cited**

U.S. PATENT DOCUMENTS

D588,902 S *	3/2009	Carnevali	D8/354
D589,327 S *	3/2009	Carnevali	D8/354
D761,084 S *	7/2016	Cox	D8/354
D761,085 S *	7/2016	Cox	D8/354
D780,558 S *	3/2017	Mouthaan	D8/354
D789,177 S *	6/2017	Carnevali	D8/354

D789,178 S *	6/2017	Carnevali	D8/354
D820,992 S *	6/2018	King	D24/200
D835,493 S *	12/2018	Chun	D8/354
D845,110 S *	4/2019	Cox	D8/354
D876,204 S *	2/2020	Stener	D8/354
D891,227 S *	7/2020	Lovgren	D8/349
D903,471 S *	12/2020	Deckelman	D8/354
D904,169 S *	12/2020	Nighswander	D8/354
D904,846 S *	12/2020	Fleming	H01R 43/26 D8/71
D907,464 S *	1/2021	Prommel	D8/354
D907,884 S *	1/2021	Montes	D34/35
D922,931 S *	6/2021	Badillo	D12/412
D924,669 S *	7/2021	Stener	D8/354
D931,710 S *	9/2021	Stener	D8/354
D932,875 S *	10/2021	Parrott	D8/354
D934,515 S *	10/2021	Wendling	D30/199

* cited by examiner

Primary Examiner — Susan Bennett Hattan

Assistant Examiner — Elizabeth S Ko

(74) *Attorney, Agent, or Firm* — Next IP Law Group LLC

(57) **CLAIM**

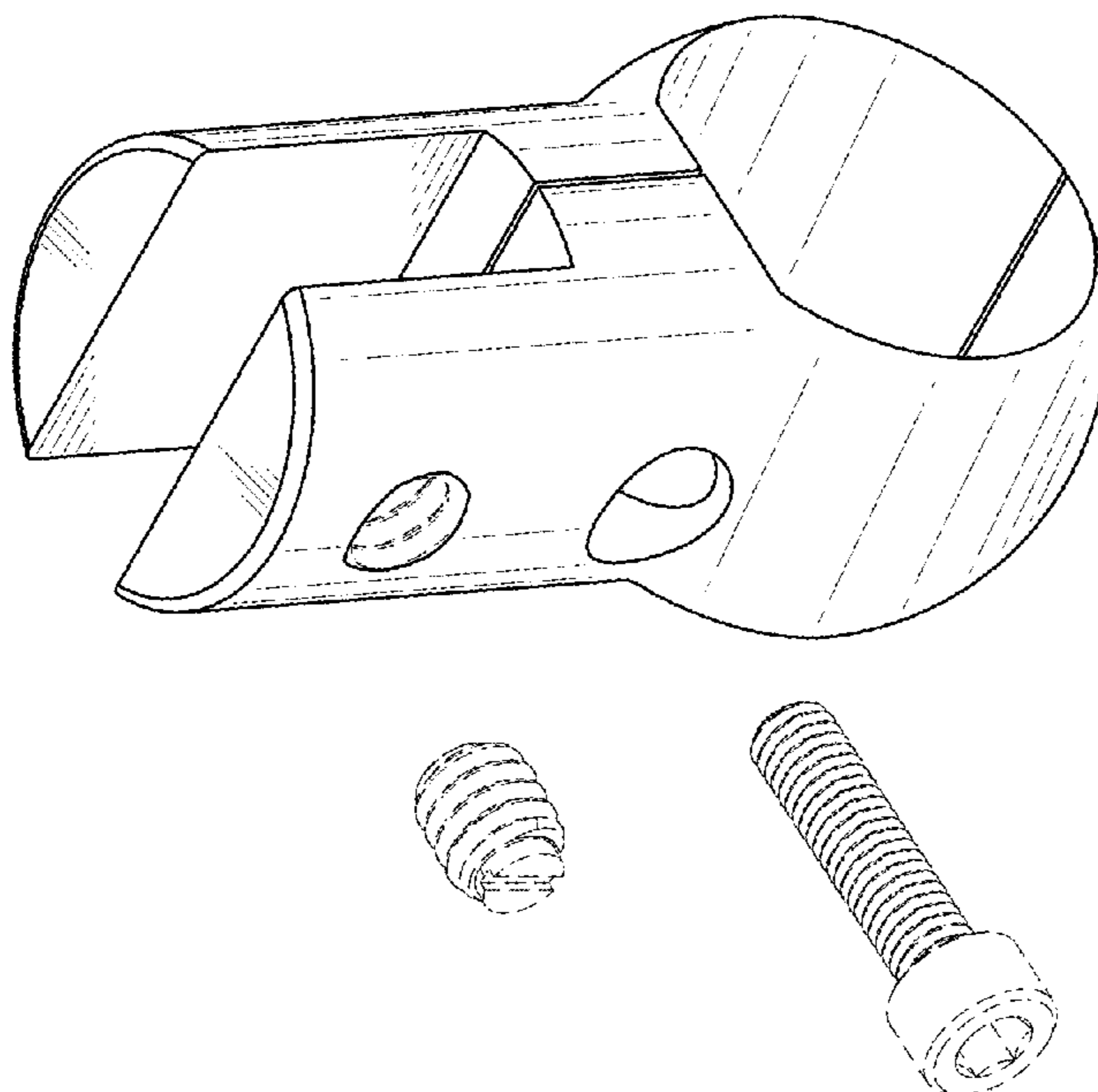
The ornamental design for a support clip, as shown and described.

DESCRIPTION

FIG. 1 is a perspective view of a support clip;
FIG. 2 is a front view thereof;
FIG. 3 is a rear view thereof;
FIG. 4 is a left side view thereof;
FIG. 5 is a right side view thereof;
FIG. 6 is a top view thereof; and,
FIG. 7 is a bottom view thereof.

The broken lines in FIGS. 1-7 are for the purpose of showing portions of the support clip that form no part of the claimed design.

1 Claim, 4 Drawing Sheets



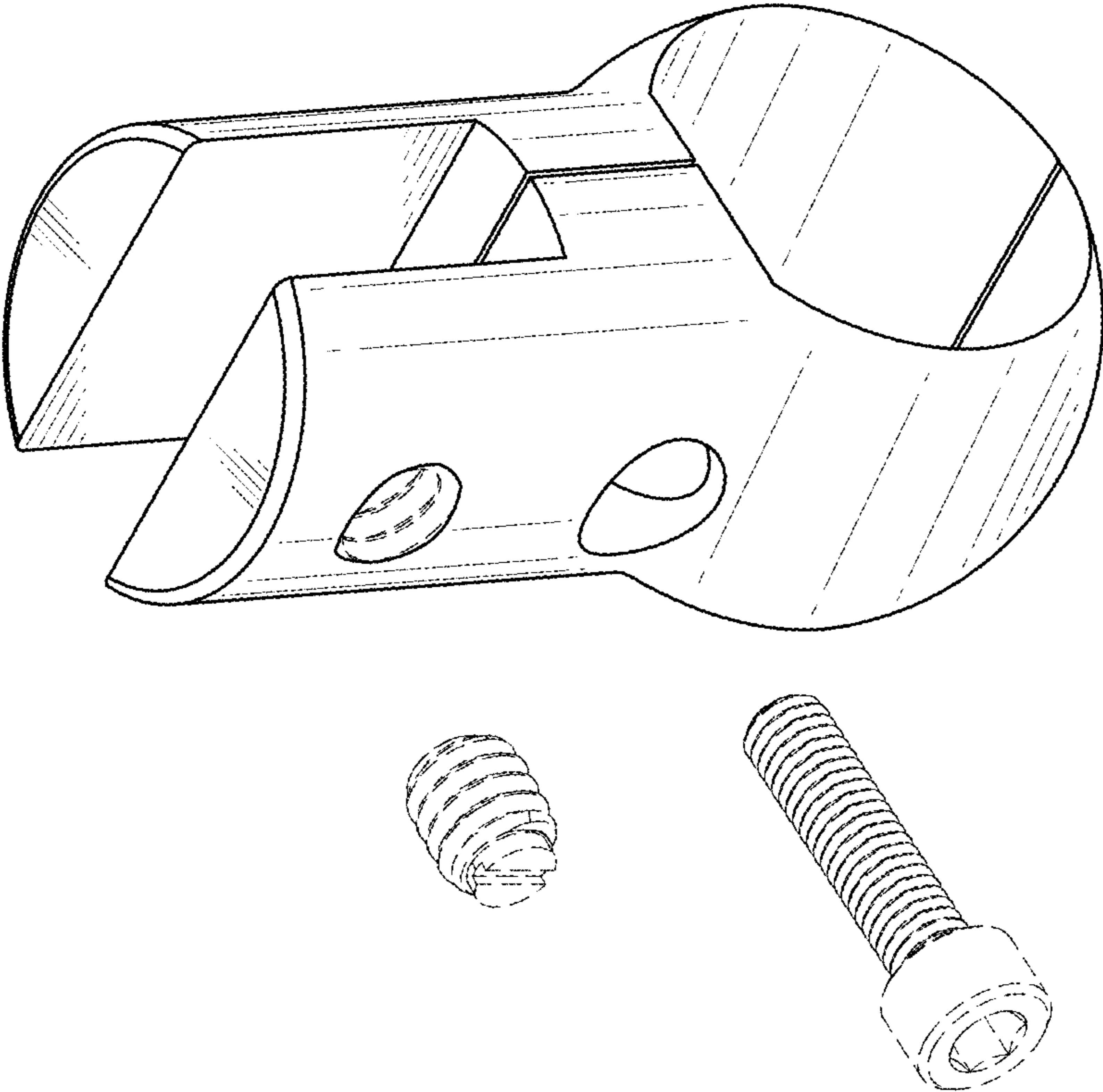


FIG. 1

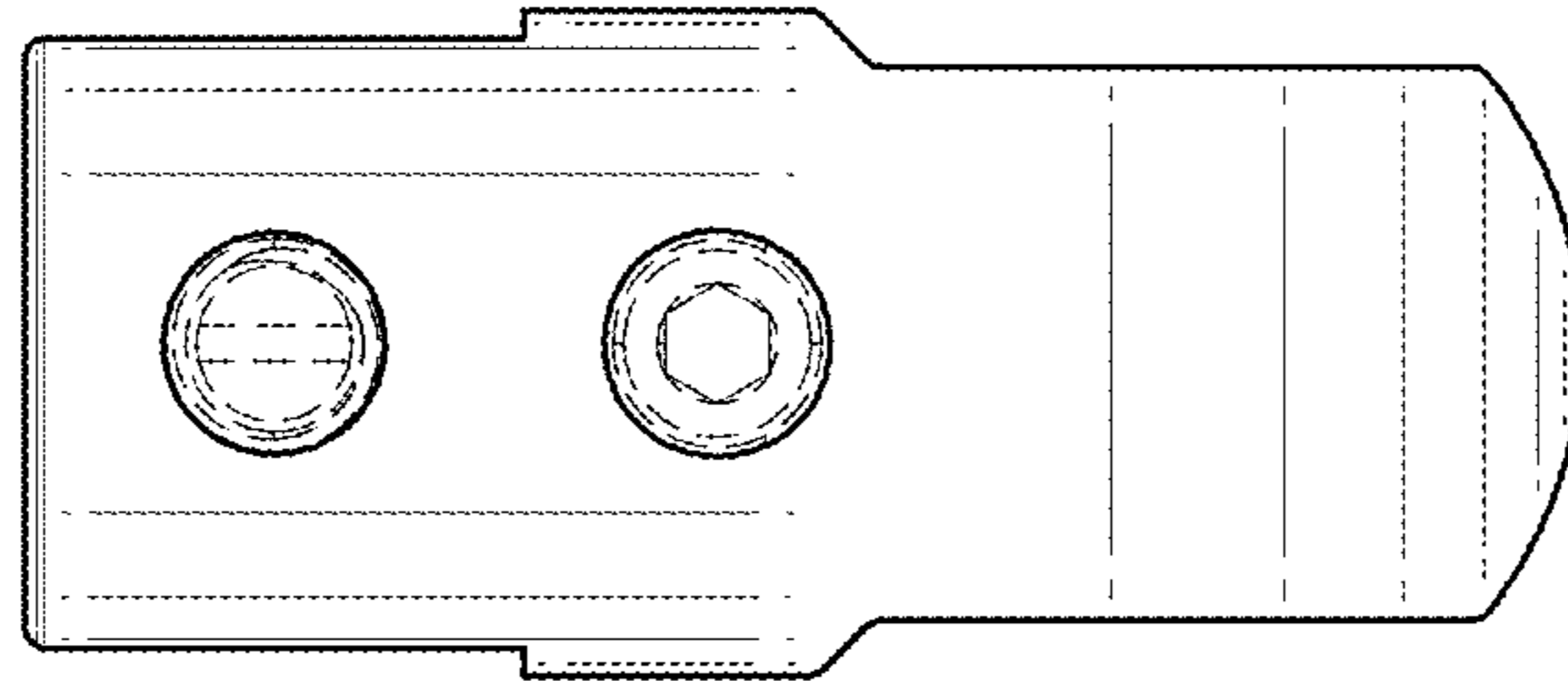


FIG. 2

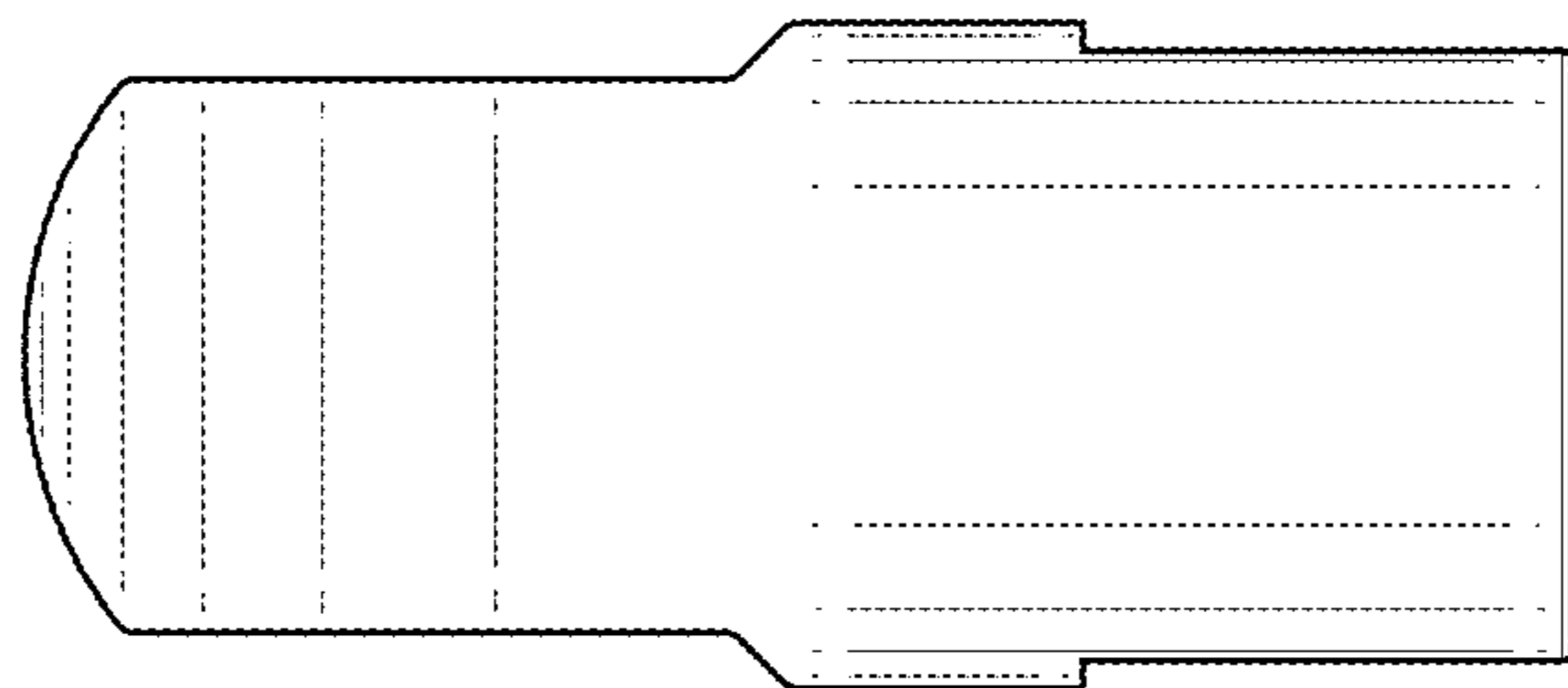


FIG. 3

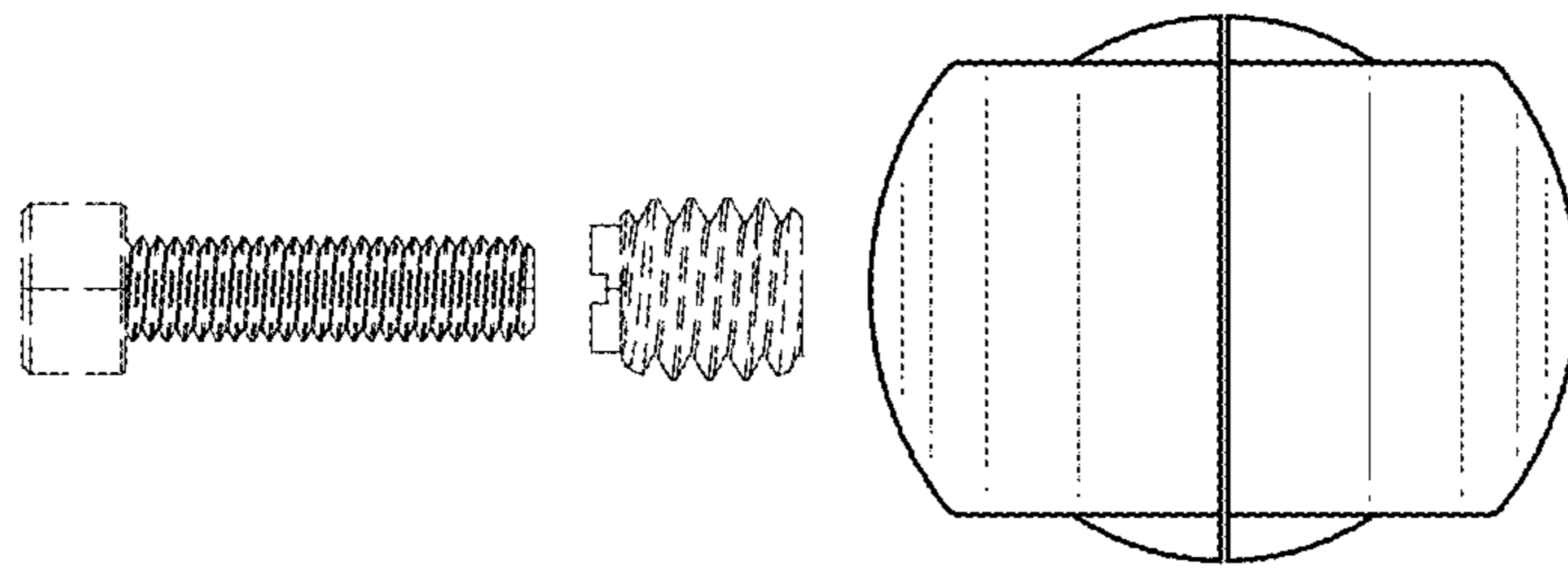


FIG. 4

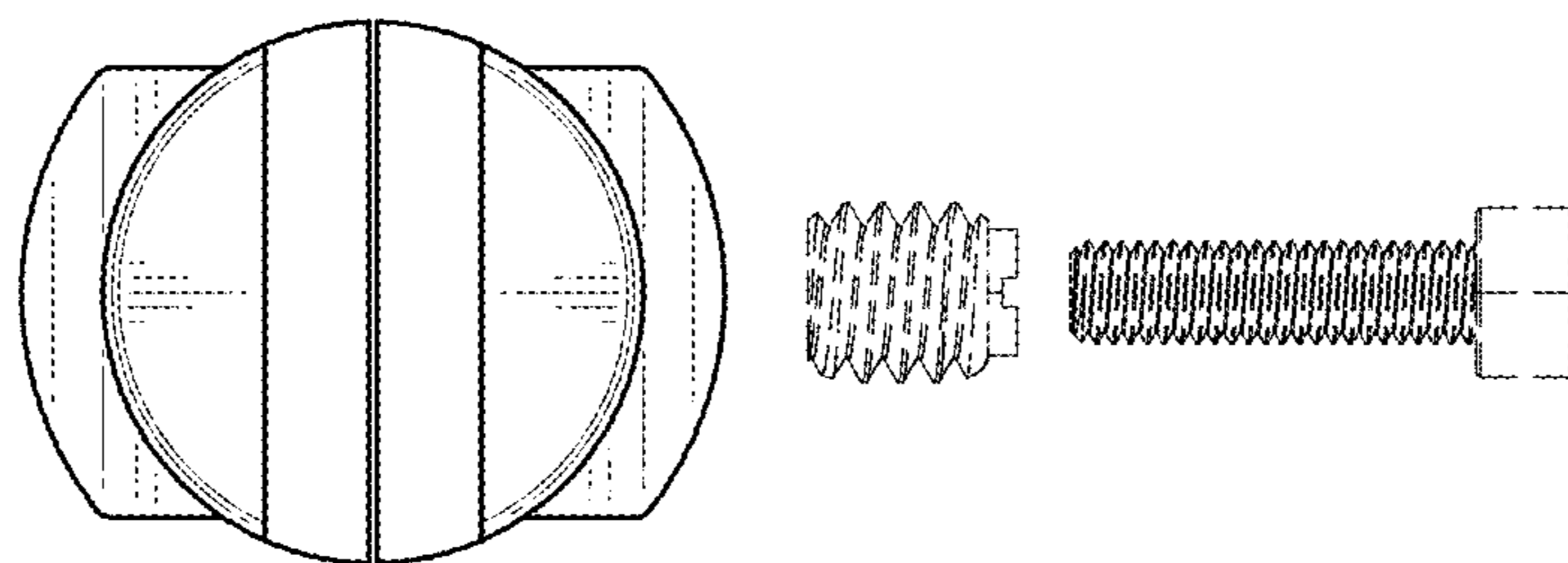


FIG. 5

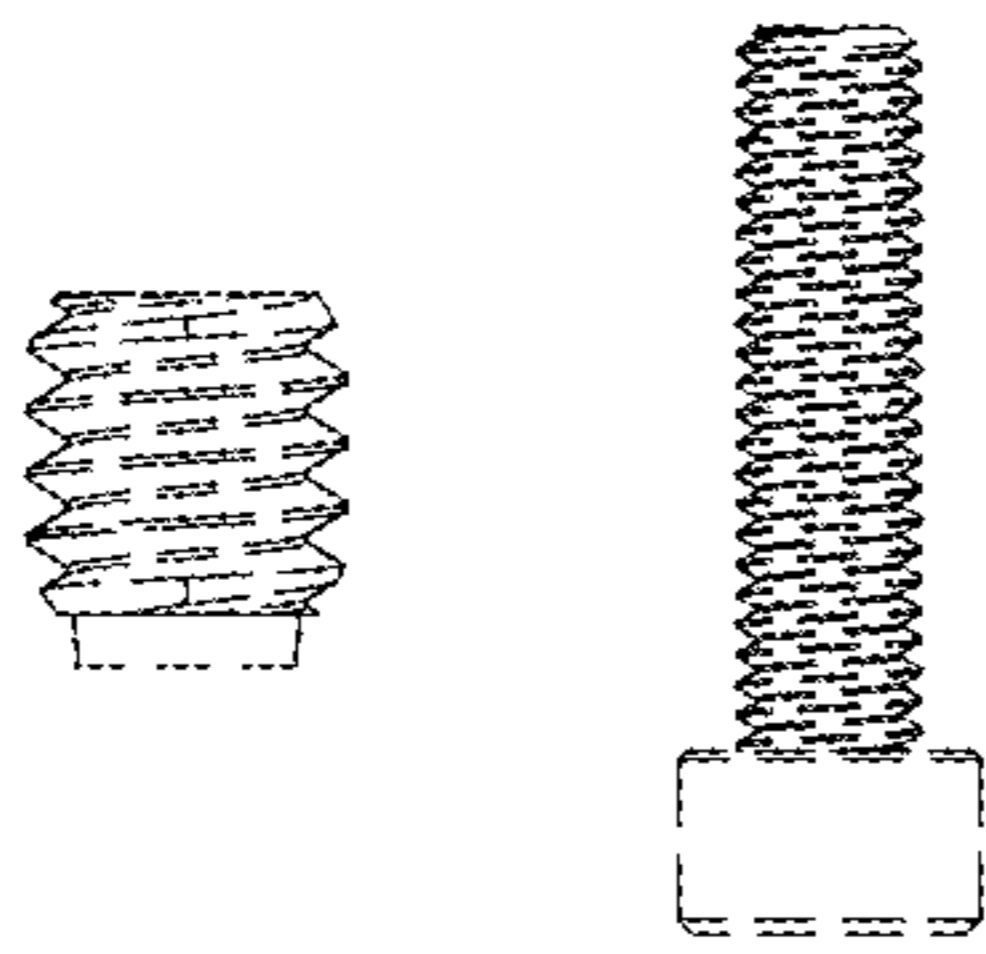
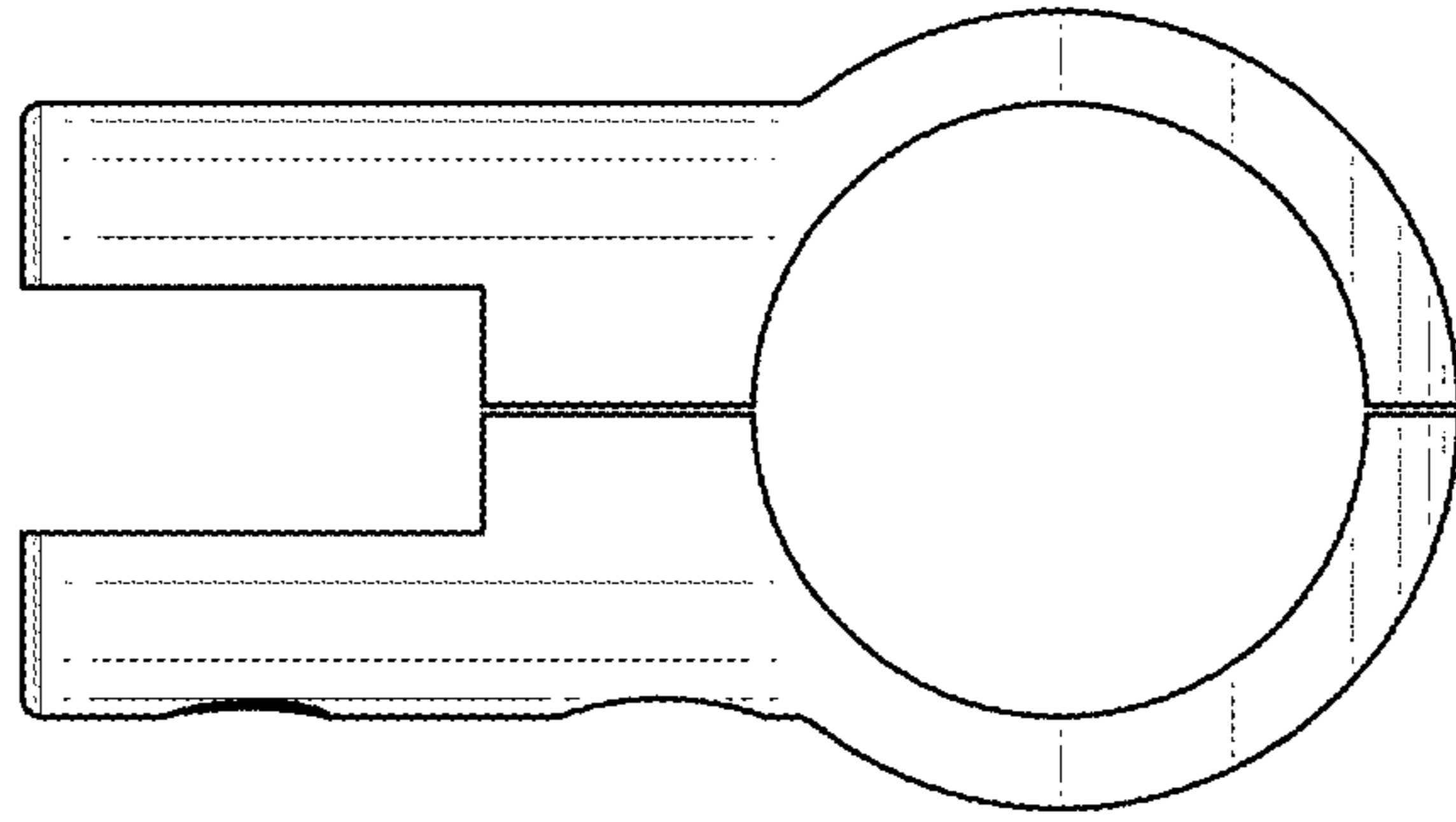


FIG. 6

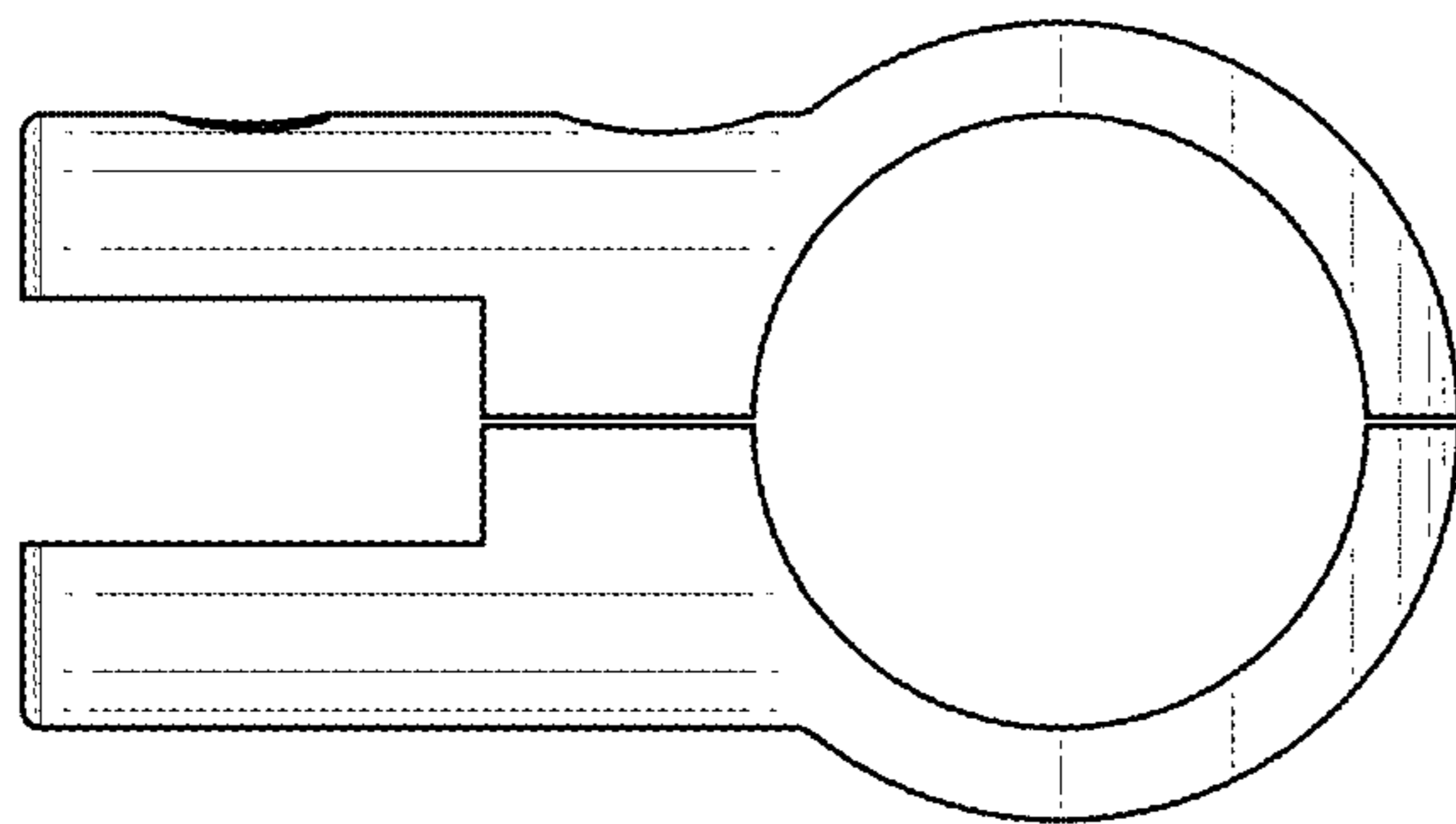
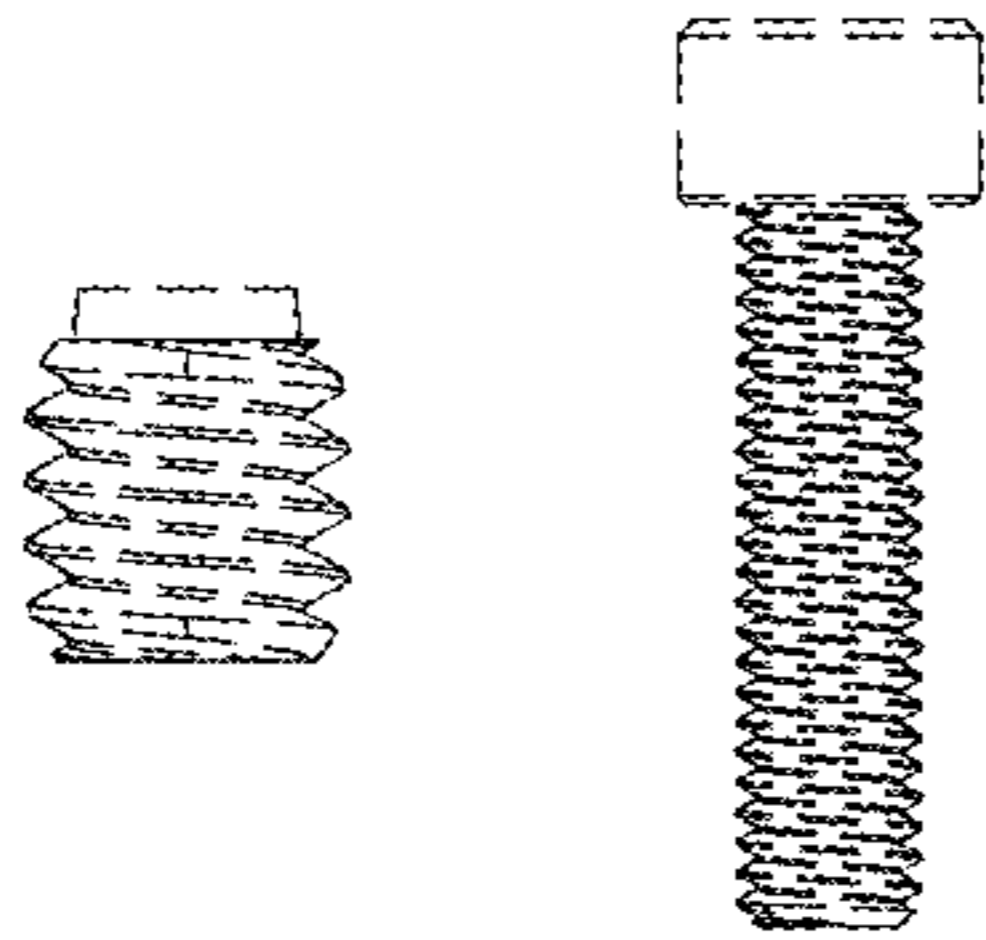


FIG. 7