



US00D945857S

(12) **United States Design Patent**
Smith

(10) **Patent No.:** **US D945,857 S**

(45) **Date of Patent:** **** Mar. 15, 2022**

(54) **MOUNTING BRACKET**

OTHER PUBLICATIONS

(71) Applicant: **Firestone Industrial Products Company, LLC**, Nashville, TN (US)

Firestone 2525 Ride-Rite Air Spring for Ford F-150: Announced [Jan. 18, 2011, online]. Site Visited [Apr. 16, 2021, online]. Available from Internet URL: <https://www.amazon.com/Firestone-2525-Ride-Rite-Spring-F-150/dp/B008NMWQ61> (Year: 2011).*

(72) Inventor: **Scott A. Smith**, Brownsburg, IN (US)

(Continued)

(73) Assignee: **Firestone Industrial Products Company, LLC**, Nashville, TN (US)

Primary Examiner — Janice Patyk

(**) Term: **15 Years**

(74) *Attorney, Agent, or Firm* — Thomas R. Kingsbury; Arthur M. Reginelli

(21) Appl. No.: **29/707,812**

(57) **CLAIM**

(22) Filed: **Oct. 1, 2019**

The ornamental design for a mounting bracket, as shown and described.

(51) **LOC (13) Cl.** **08-05**

(52) **U.S. Cl.**
USPC **D8/354**

DESCRIPTION

(58) **Field of Classification Search**
USPC D8/330, 371, 373, 353, 354, 364, 367, D8/349, 381; D14/140, 432; D6/300, D6/301, 302
CPC H01R 13/6675; H01R 13/73; H01R 24/62; H01R 12/716; F16B 45/00; F16M 13/02; H02J 7/0045
See application file for complete search history.

FIG. 1 is a top perspective view of a mounting bracket illustrating a first embodiment of my new design;
FIG. 2 is a bottom perspective view thereof;
FIG. 3 is a top plan view thereof;
FIG. 4 is a bottom plan view thereof;
FIG. 5 is a front elevation view thereof;
FIG. 6 is a rear elevation view thereof;
FIG. 7 is a left side elevation view thereof;
FIG. 8 is a right side elevation view thereof;
FIG. 9 is a top perspective view of a mounting bracket illustrating a second embodiment of my new design;
FIG. 10 is a bottom perspective view thereof;
FIG. 11 is a top plan view thereof;
FIG. 12 is a bottom plan view thereof;
FIG. 13 is a front elevation view thereof;
FIG. 14 is a rear elevation view thereof;
FIG. 15 is a left side elevation view thereof; and,
FIG. 16 is a right side elevation view thereof.
Dashed lines in FIGS. 1-4, 7-12, 15 and 16 illustrate unclaimed apertures of the mounting bracket and form no part of the claimed design.

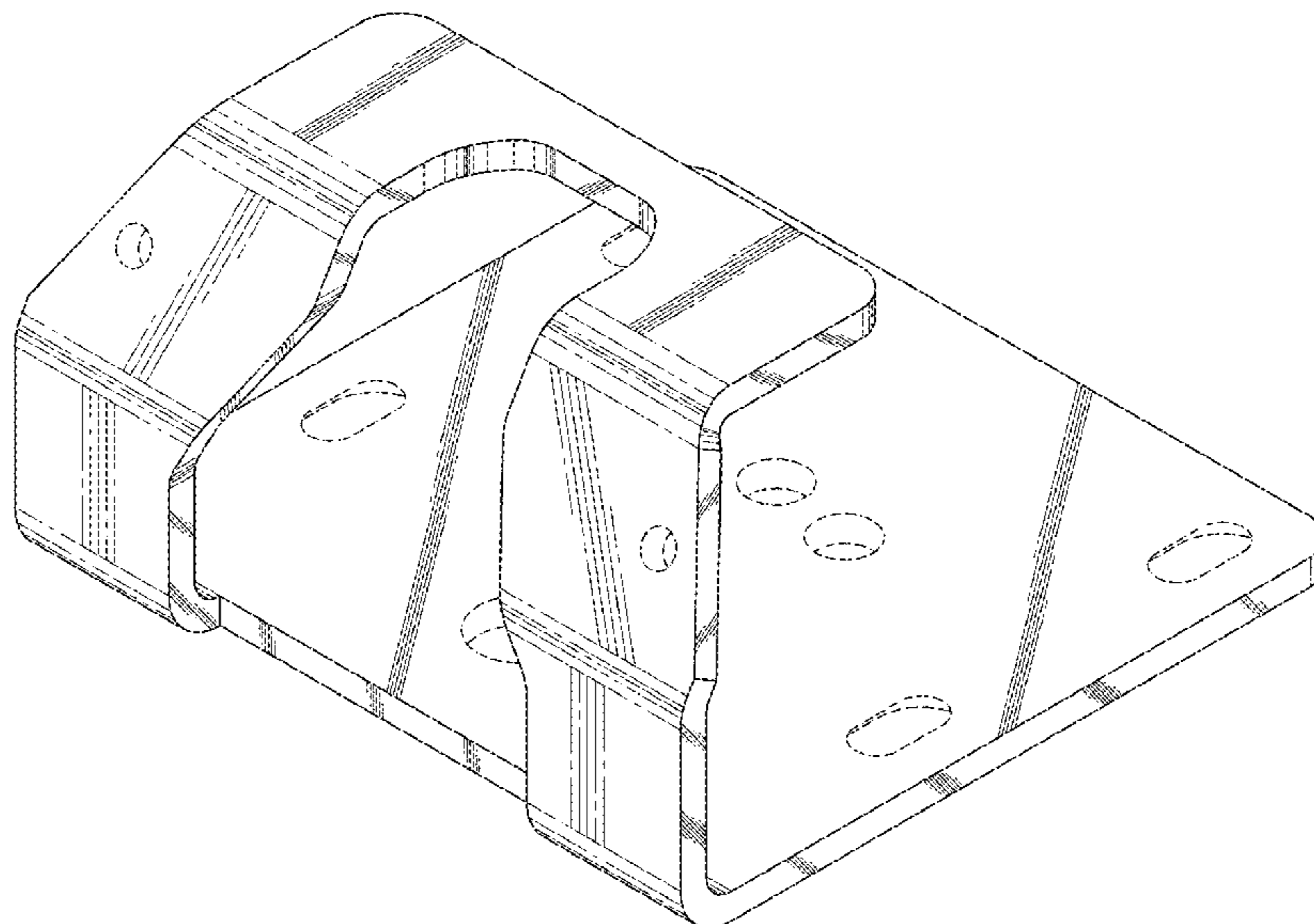
(56) **References Cited**

U.S. PATENT DOCUMENTS

D384,877 S	*	10/1997	Perrin	D8/354
D546,610 S	*	7/2007	Blanchard	D6/567
D556,027 S	*	11/2007	Cuzzocrea	D8/373
D586,523 S	*	2/2009	Burns	D34/27
D667,249 S	*	9/2012	London	D6/553
D684,033 S	*	6/2013	Preda	D8/354
D699,097 S	*	2/2014	Chung	D8/354
D707,100 S	*	6/2014	Kinsky	D8/331
D730,719 S	*	6/2015	Sundberg	D8/354
D735,170 S	*	7/2015	Colvin	D14/224
D742,728 S	*	11/2015	Ostler	D8/373
D753,987 S	*	4/2016	Bernstein	D8/367

(Continued)

1 Claim, 16 Drawing Sheets



(56)

References Cited

U.S. PATENT DOCUMENTS

D760,578 S * 7/2016 Sigona D8/349
 D769,024 S * 10/2016 Montoya D6/567
 D778,739 S * 2/2017 Hughes D10/42
 D791,309 S * 7/2017 Hayamizu D24/128
 D811,195 S * 2/2018 Wang D8/323
 D817,749 S * 5/2018 Ryu D8/367
 D819,427 S * 6/2018 Mercaldi D8/354
 D821,184 S * 6/2018 Berger D8/367
 D833,262 S * 11/2018 Royak D8/373
 D844,336 S * 4/2019 Tran D6/320
 D858,897 S * 9/2019 Cress D29/130
 D866,920 S * 11/2019 Perry D2/640
 D883,073 S * 5/2020 Jaramillo D8/354
 D885,481 S * 5/2020 Tung D19/75
 10,724,229 B2 * 7/2020 Daudet E04B 1/2608
 D893,287 S * 8/2020 Wendling D8/371
 D902,701 S * 11/2020 Smith D8/366
 D902,702 S * 11/2020 Smith D8/366
 D904,468 S * 12/2020 Ju D15/28

D906,095 S * 12/2020 DeDios-Shirley D8/354
 D908,709 S * 1/2021 Fine D14/447
 D909,422 S * 2/2021 Carter D15/17
 D913,779 S * 3/2021 Murphy D8/381
 10,961,727 B2 * 3/2021 Rosales E04G 17/14
 2016/0018052 A1 * 1/2016 Herman F16M 13/02
 2019/0374057 A1 * 12/2019 MacLaren-Taylor ... F16B 2/065
 2020/0003274 A1 * 1/2020 Malin F16G 11/14

OTHER PUBLICATIONS

Firestone W217602250 Ride-Rite Kit for GM: Announced [Nov. 23, 2005, online]. Site Visited [Apr. 16, 2021, online]. Available from Internet URL: <https://www.amazon.com/Firestone-W217602250-Ride-Rite-C2500HD-C3500/dp/B000CMD2A6> (Year: 2005).
 Firestone Industrial Products Company, Ride-Rite Installation Instructions No. 2596, pp. 3 and 4, May 2017, US.
 Air Lift Company, LoadLifter 5000 Installation Guide No. MN-1051, p. 4, Aug. 2017, US.

* cited by examiner

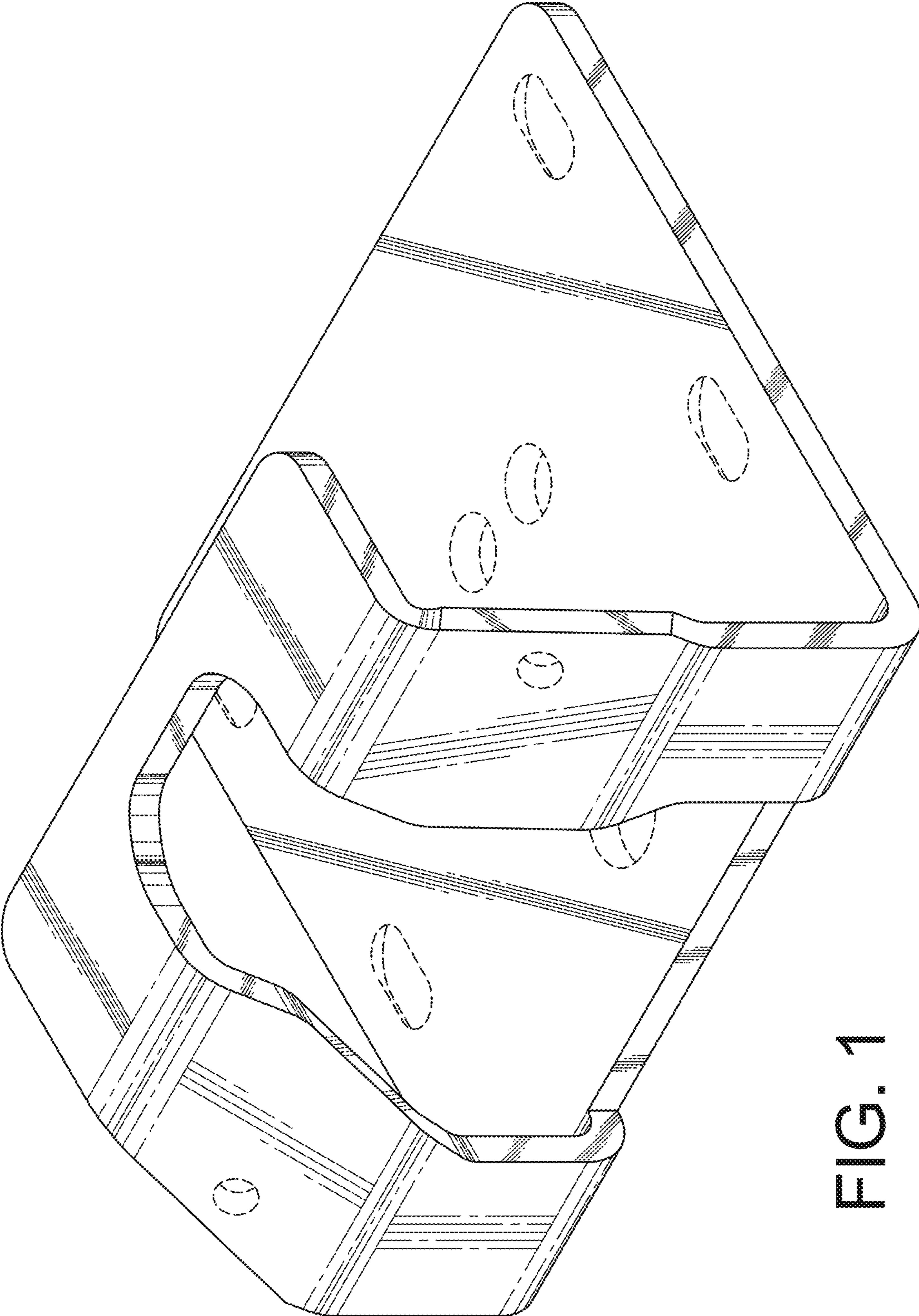


FIG. 1

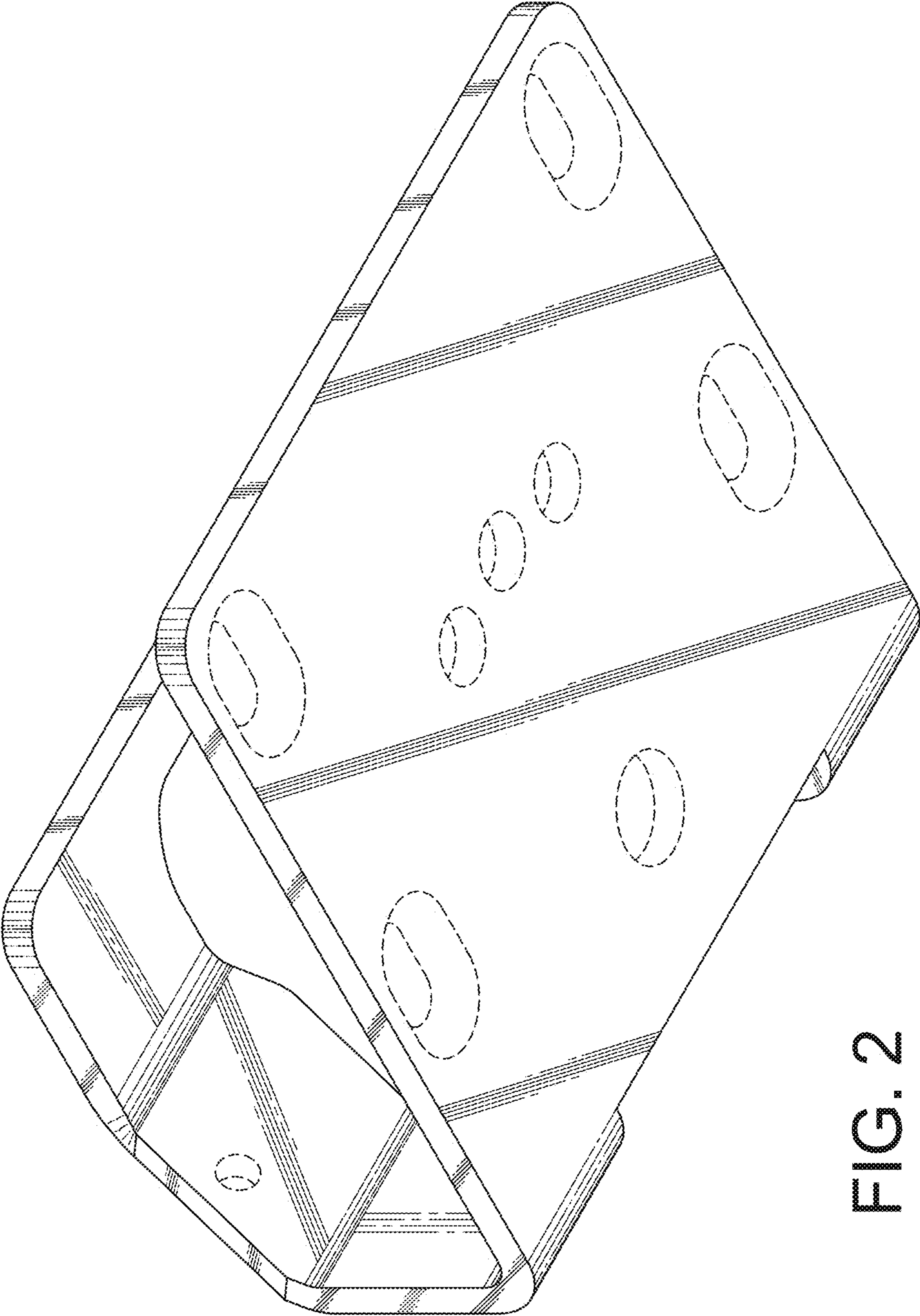


FIG. 2

FIG. 3

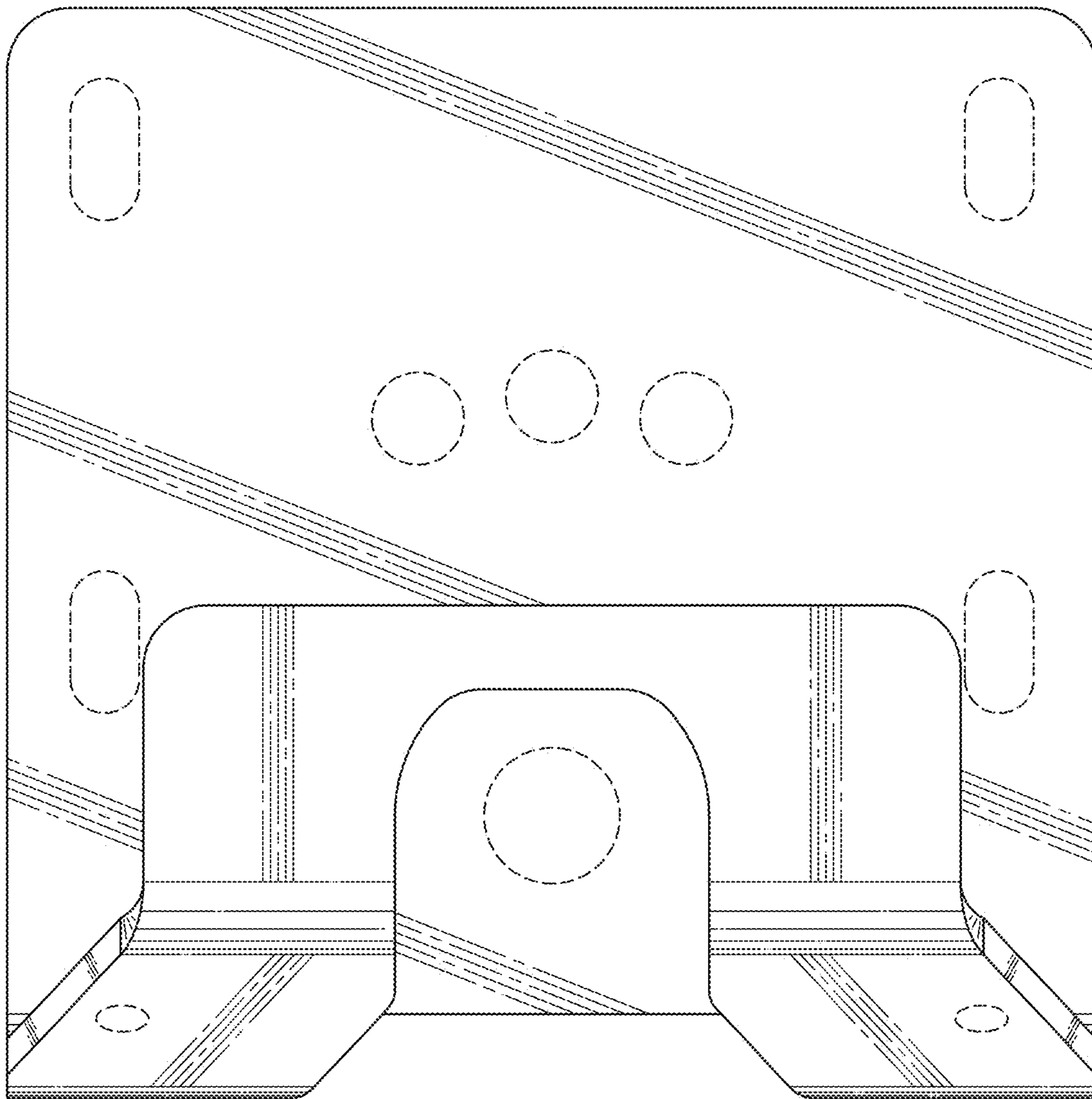
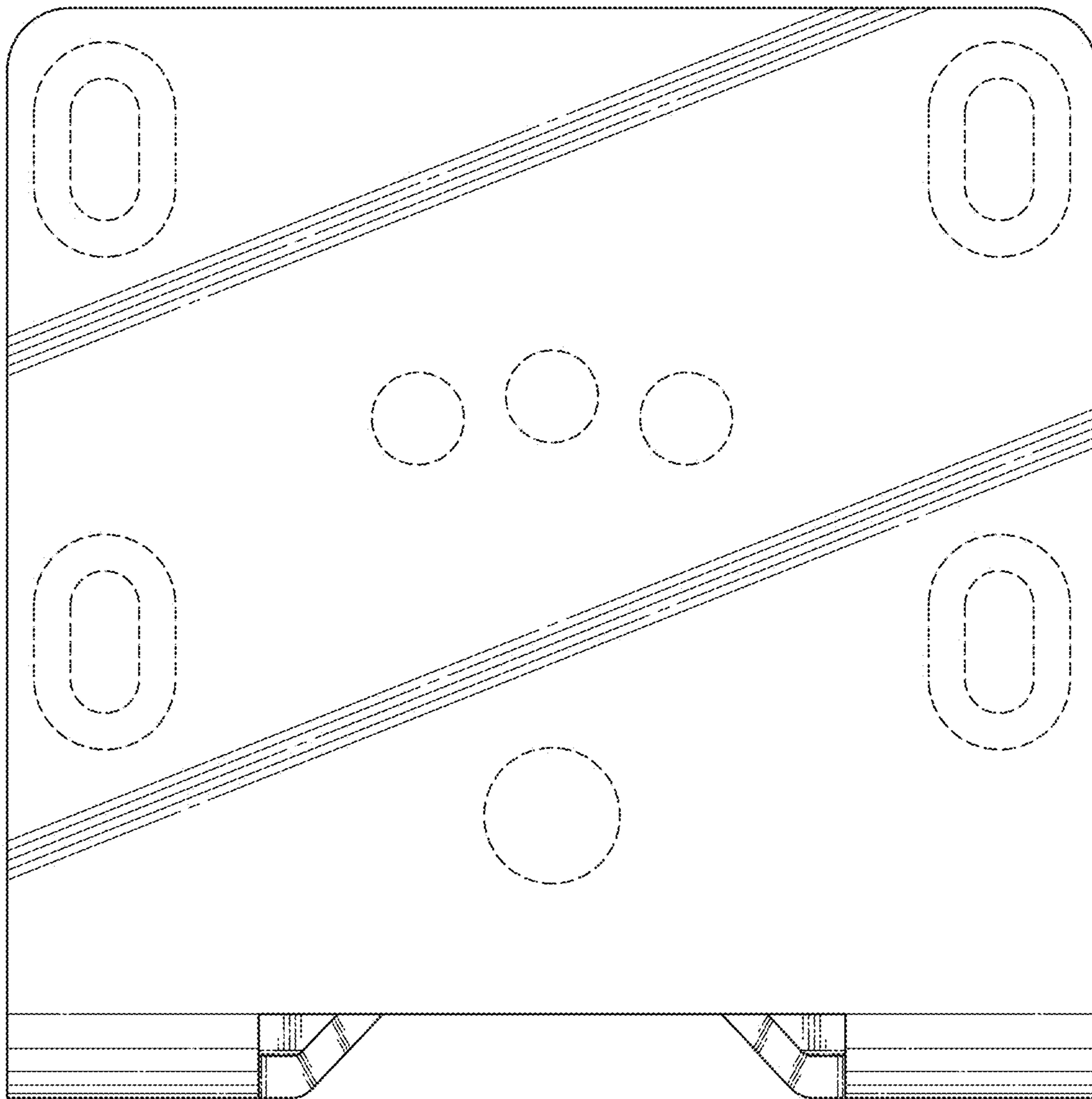


FIG. 4



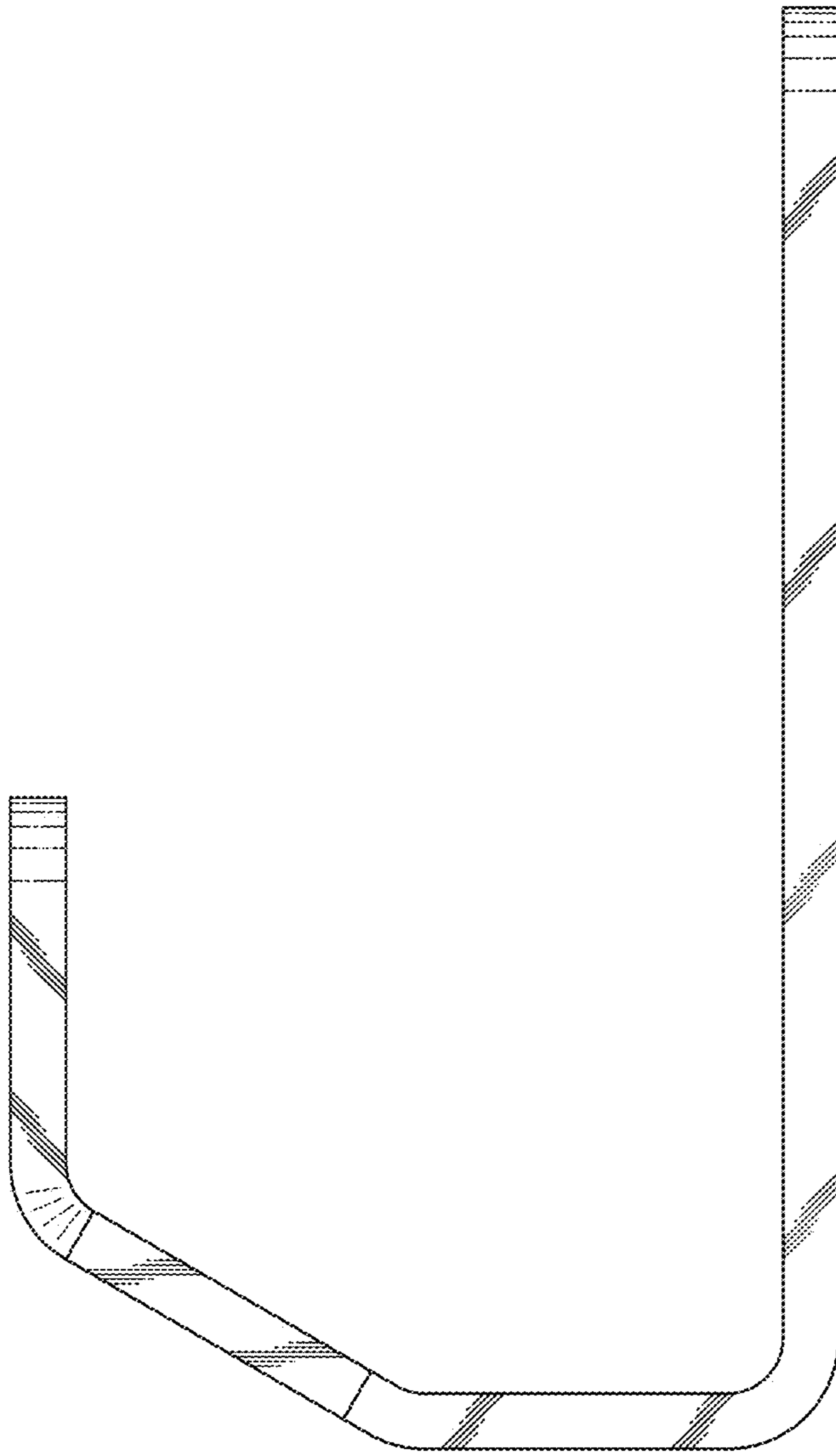


FIG. 5

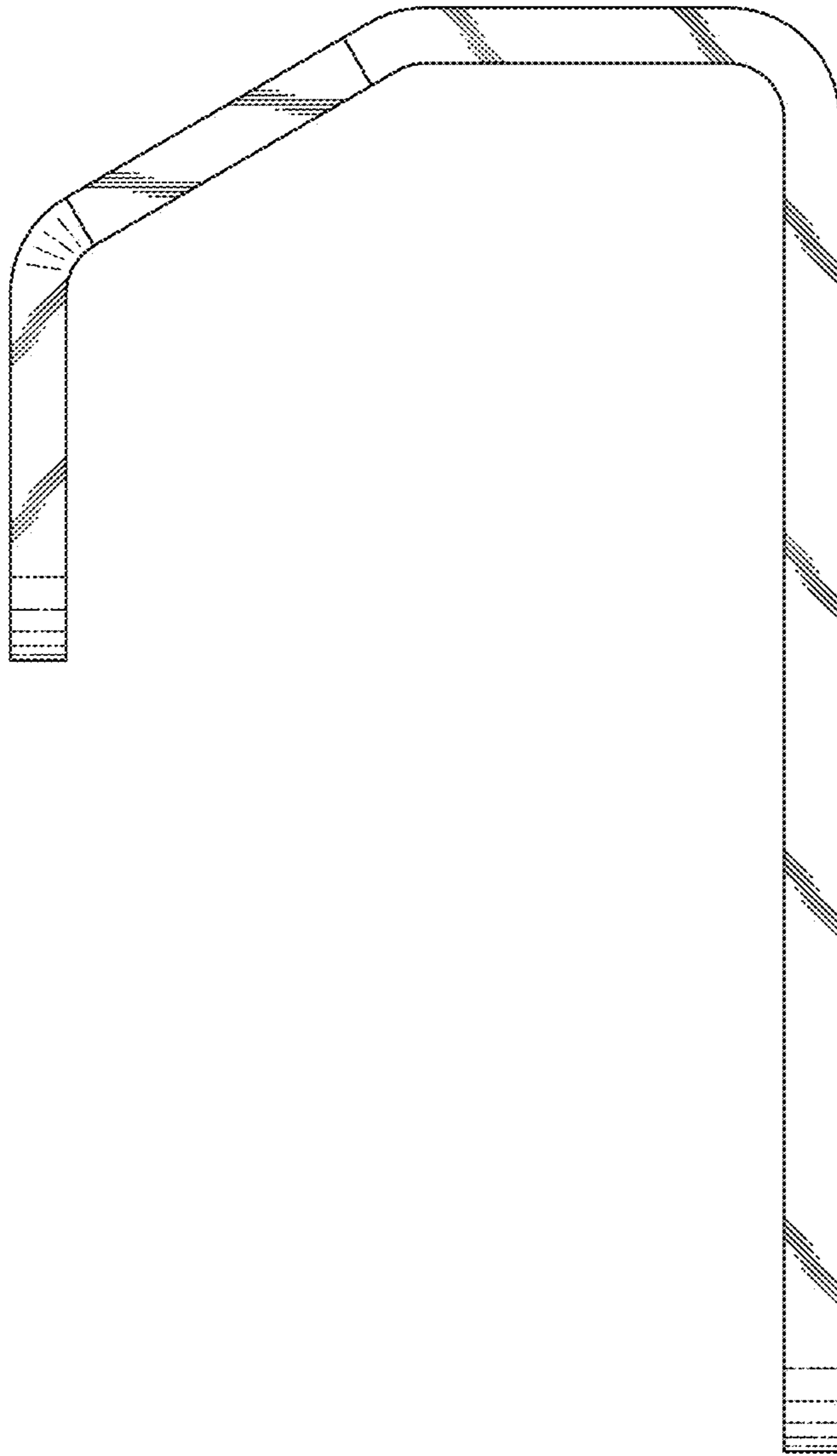


FIG. 6

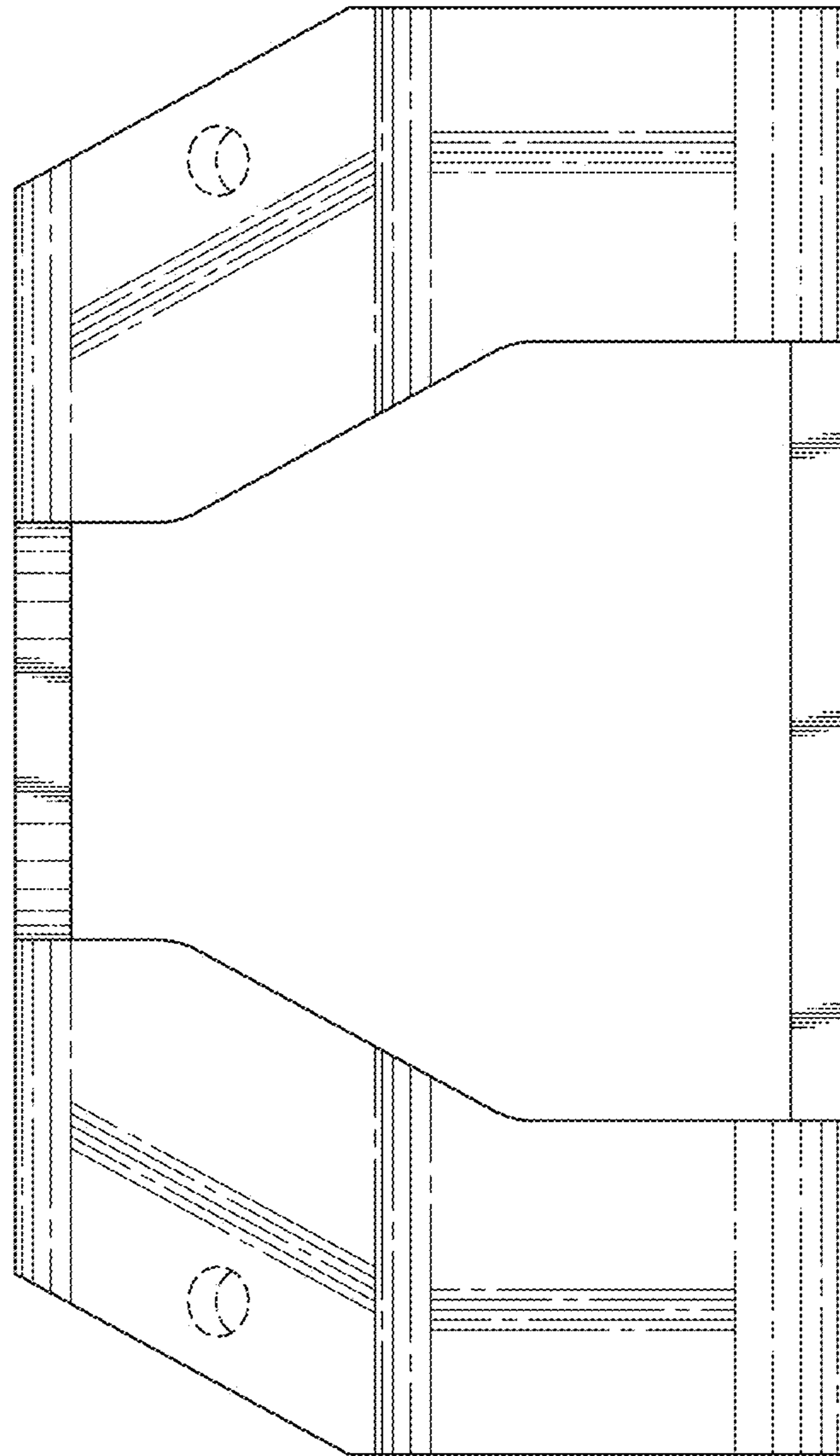


FIG. 7

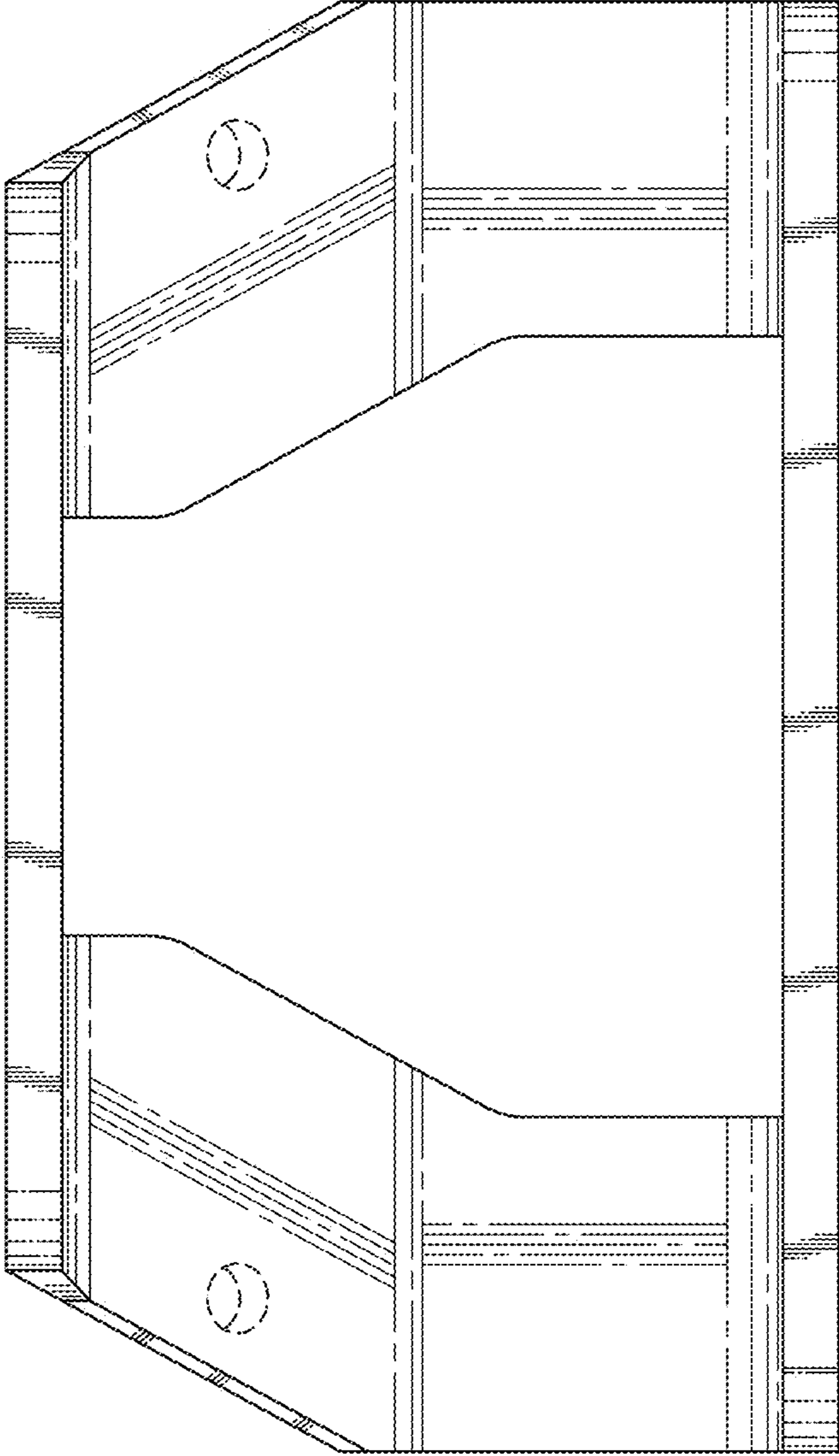


FIG. 8

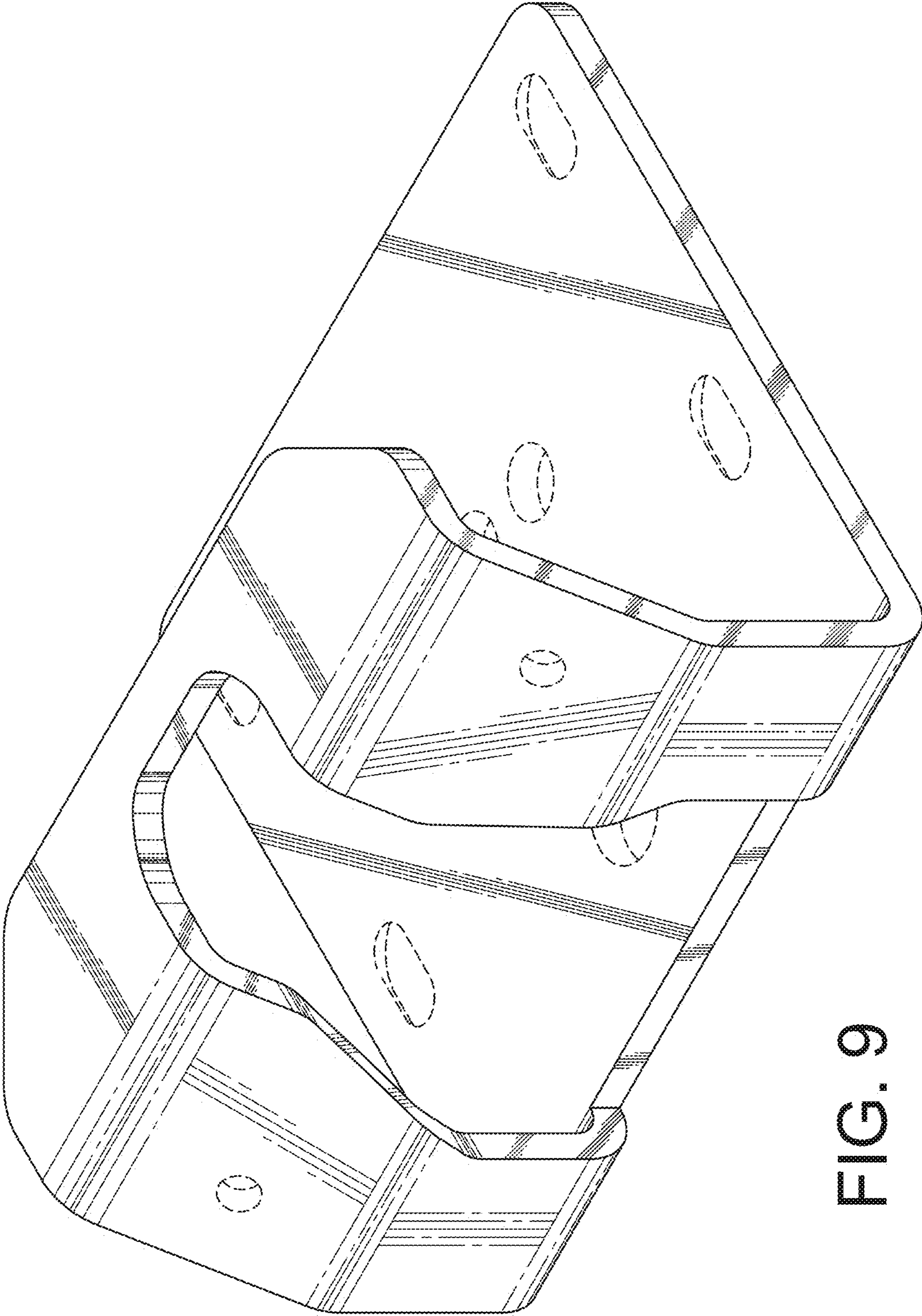


FIG. 9

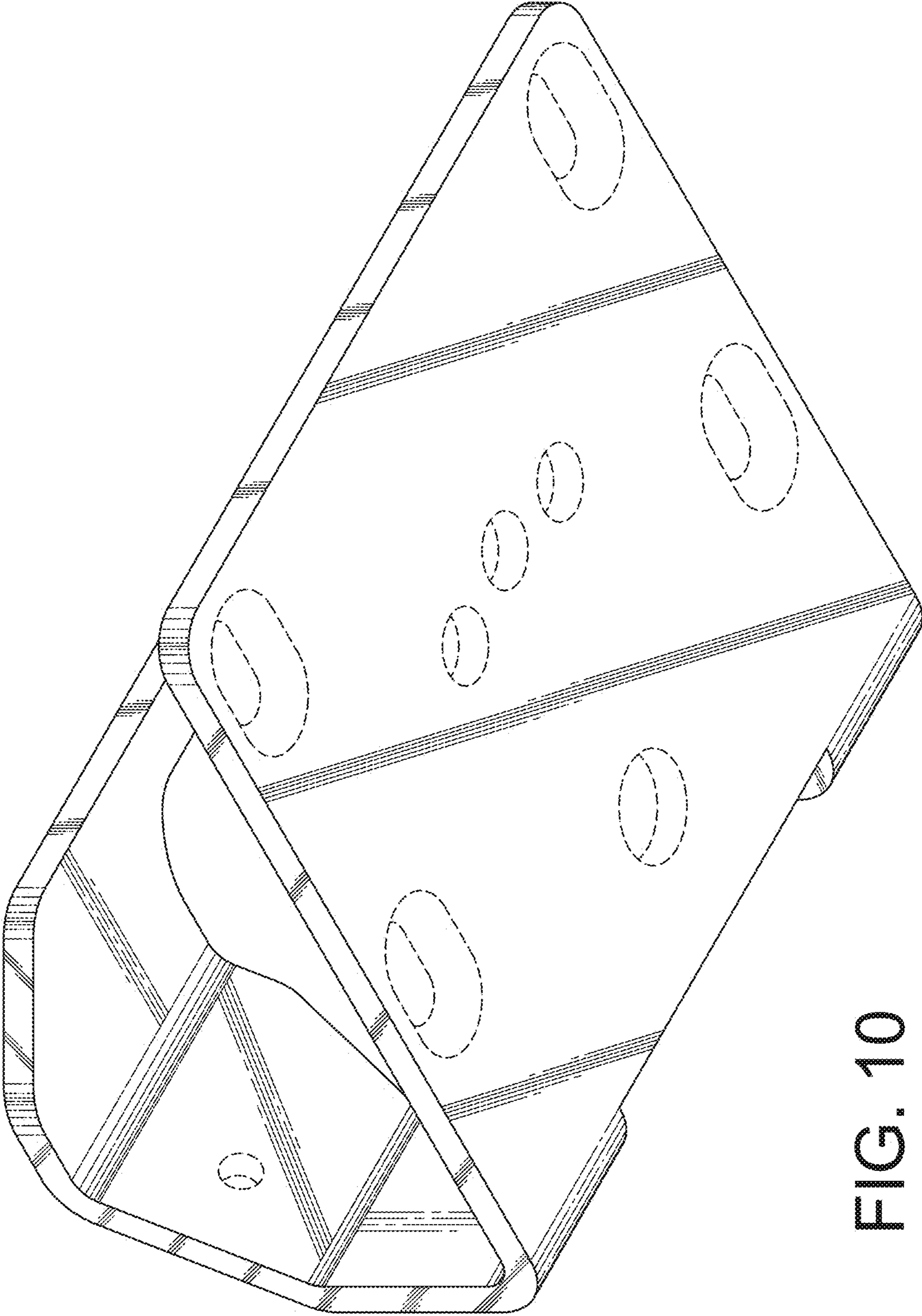
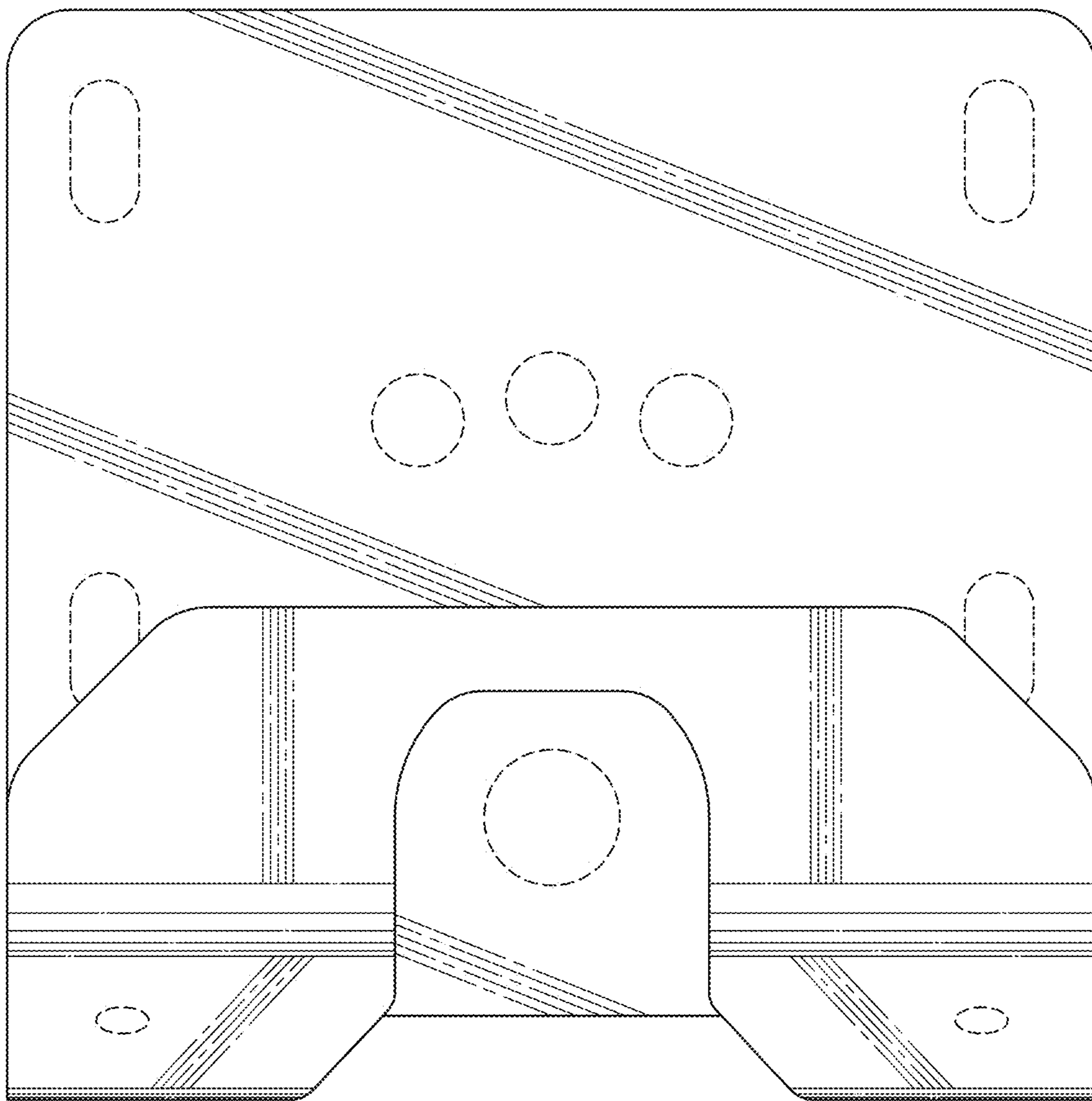


FIG. 10

FIG. 11



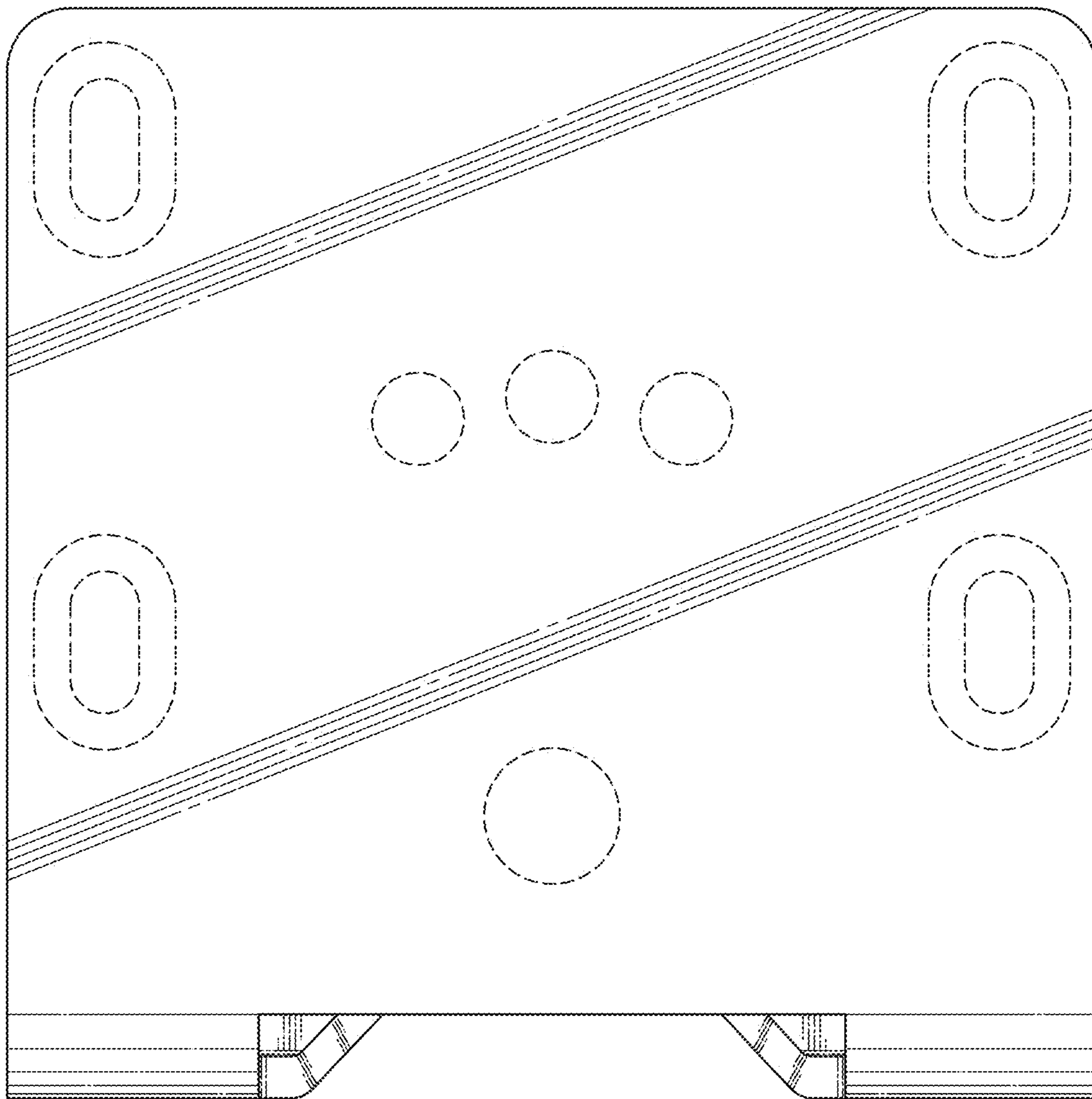


FIG. 12

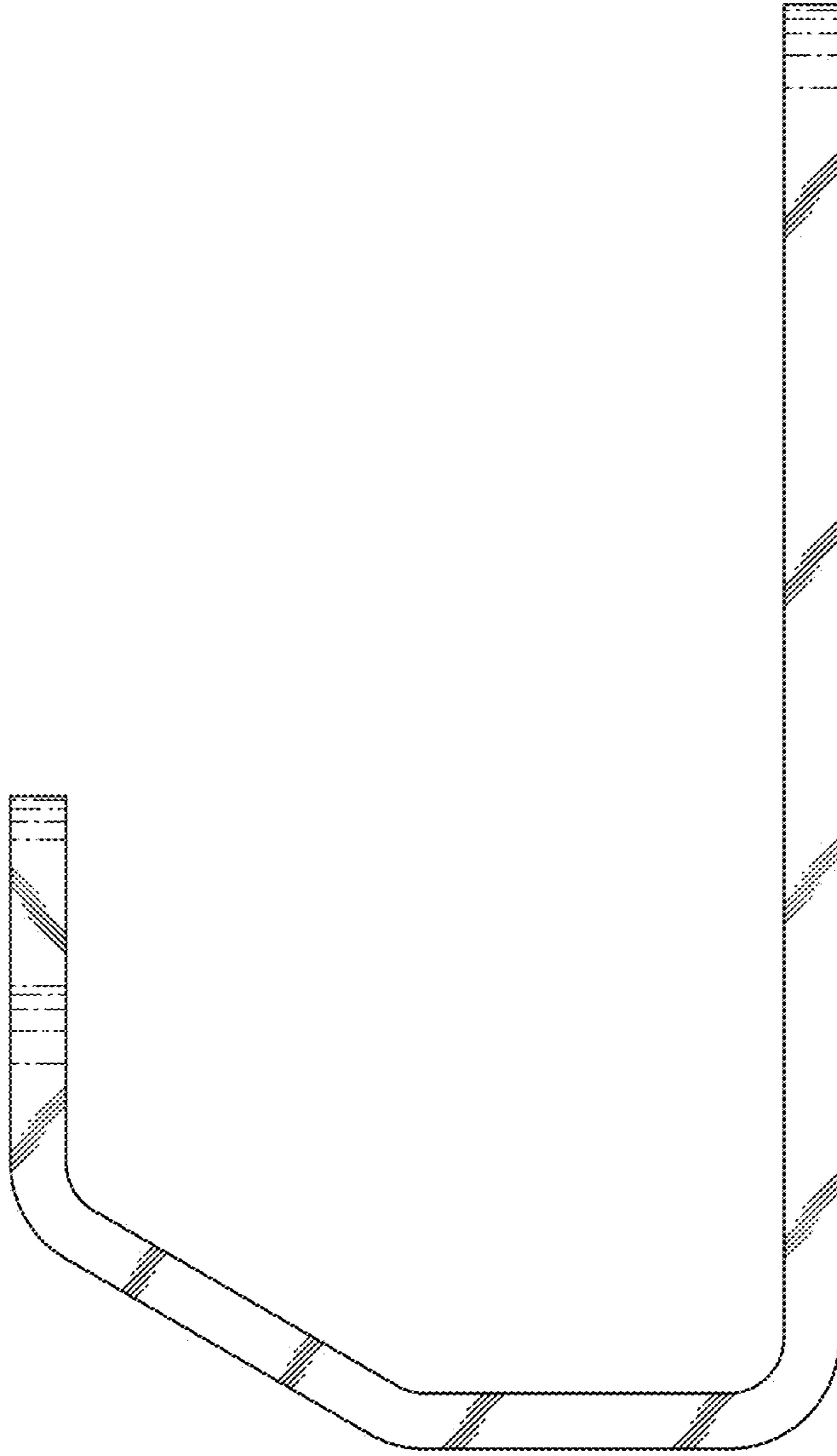


FIG. 13

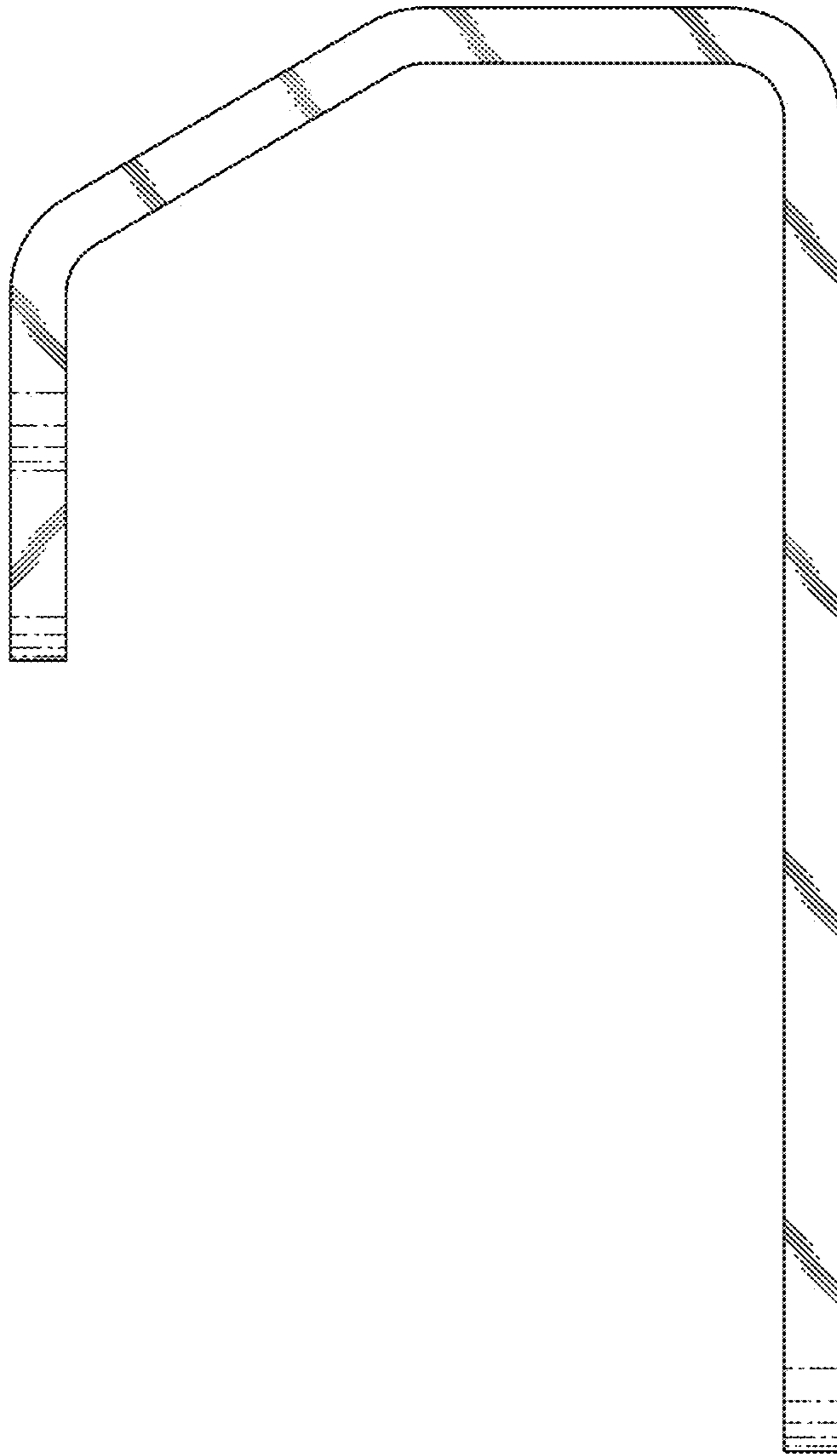


FIG. 14

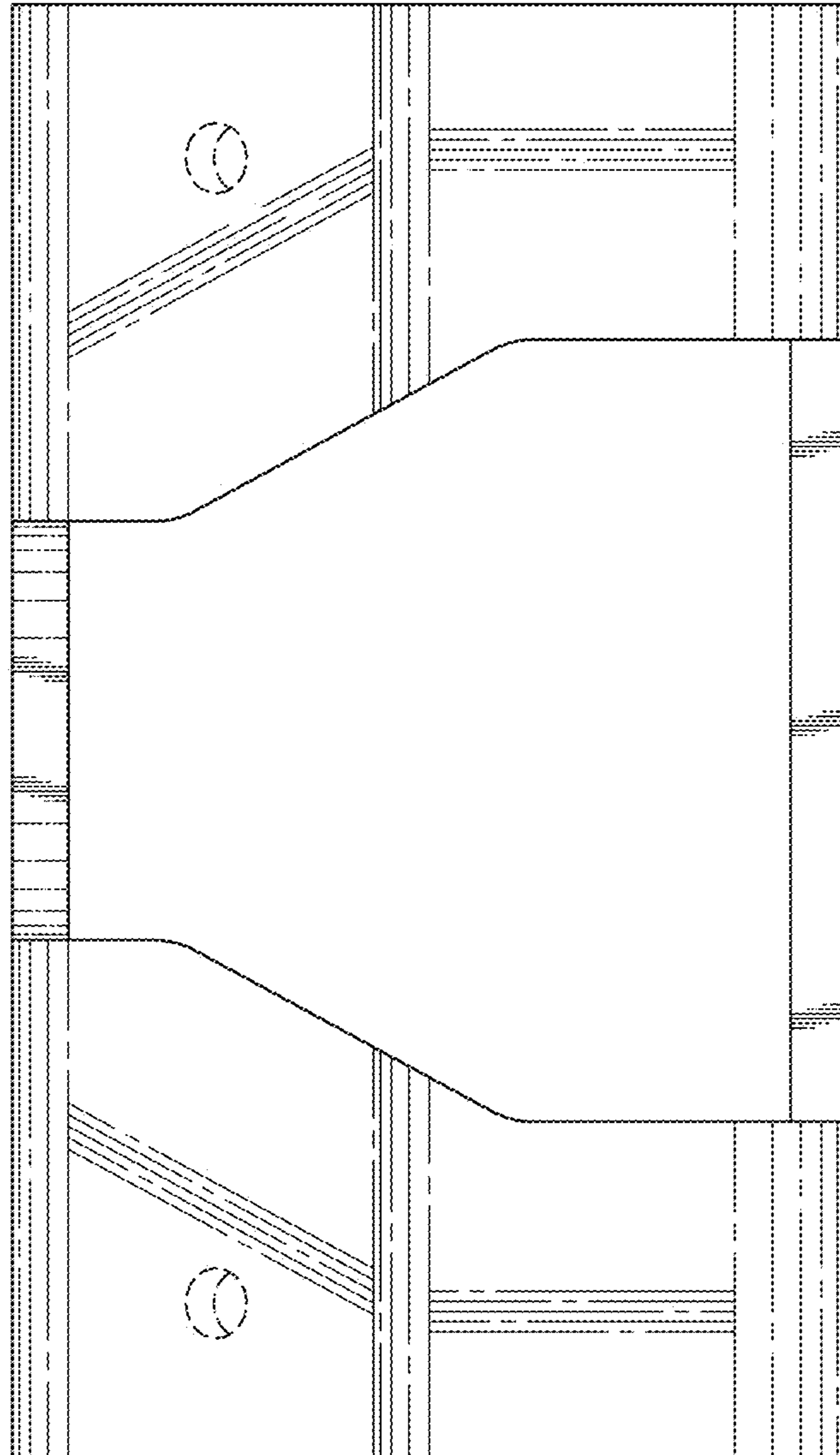


FIG. 15

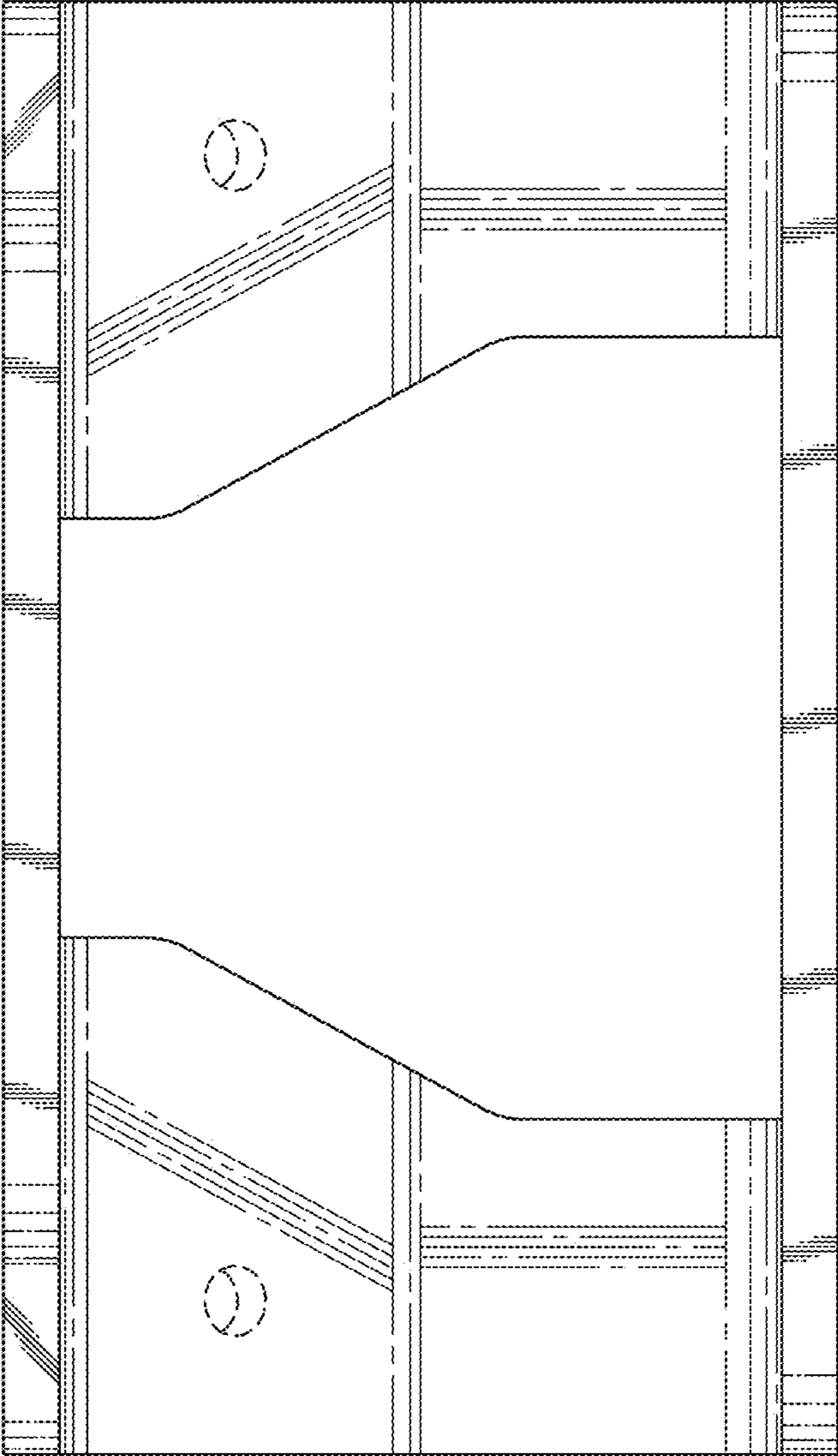


FIG. 16