



US00D945855S

(12) **United States Design Patent**  
**Jolley et al.**

(10) **Patent No.:** **US D945,855 S**  
(45) **Date of Patent:** **\*\* Mar. 15, 2022**

(54) **PUSH BUTTON LATCH ASSEMBLY**

FOREIGN PATENT DOCUMENTS

(71) Applicant: **B/E Aerospace, Inc.**, Winston-Salem, NC (US)

CN 304253593 \* 1/2017  
CN 306431376 \* 11/2020

(Continued)

(72) Inventors: **Richard H. Jolley**, Addington (GB);  
**Hsin-I Tsai**, Newport Pagnell (GB)

OTHER PUBLICATIONS

(73) Assignee: **B/E Aerospace, Inc.**, Winston-Salem, NC (US)

EGRET,Carts by Egret,Date first available from wayback date Feb. 10, 2017, [online]retrieved Jul. 7, 2021, available from wayback <https://web.archive.org/web/20170210021117/http://www.egret.aero/en/catalog/carts> (Year: 2017).\*

(\*\*) Term: **15 Years**

(Continued)

(21) Appl. No.: **29/693,962**

(22) Filed: **Jun. 6, 2019**

*Primary Examiner* — Keli L Hill

(51) **LOC (13) Cl.** ..... **08-05**

*Assistant Examiner* — Sara S Sahneh

(52) **U.S. Cl.**

(74) *Attorney, Agent, or Firm* — Suiter Swantz pc llo

USPC ..... **D8/331**

(58) **Field of Classification Search**

USPC ..... D8/330–333, 336, 338, 343–346,  
D8/300–302, 306–329; D14/392, 396,  
D14/399, 455, 456; D6/702, 706, 641,  
D6/329, 653

CPC ..... E06B 9/68; E06B 2009/6818; E06B 9/60;  
E06B 9/56; E06B 9/82; E06B 9/80; E06B  
9/174; E06B 3/5009; E06B 3/921; E05F  
15/43; E05F 15/77; E05F 5/02; E05F  
17/00; E05Y 2201/244; E05Y 2400/612;  
E05Y 2900/00; E05Y 2800/22; E05Y  
2800/176; E05Y 2800/205; E05Y  
2800/72; E05Y 2201/686; E05Y 2201/21;  
E05Y 2600/46; E05Y 2800/122; E05D  
13/1261; E05D 15/264; B25B 13/5016;  
H02K 7/116; H02K 5/26; Y10T  
74/19684; Y10T 74/19633; E05B 65/44;  
E05B 65/46; E05B 65/462;

(Continued)

(57) **CLAIM**

The ornamental design for a push button latch assembly, as shown and described.

**DESCRIPTION**

FIG. 1 is a perspective view of a push button latch assembly; FIG. 2 is a top plan view of the push button latch assembly of FIG. 1; FIG. 3 is a front elevation view of the push button latch assembly of FIG. 1; FIG. 4 is a rear elevation view of the push button latch assembly of FIG. 1; FIG. 5 is a left side elevation view of the push button latch assembly of FIG. 1; and, FIG. 6 is a bottom plan view of the push button latch assembly of FIG. 1. Portions of FIGS. 1 through 7 are shown in broken lines illustrating portions of the article of manufacture that form no part of the claimed design.

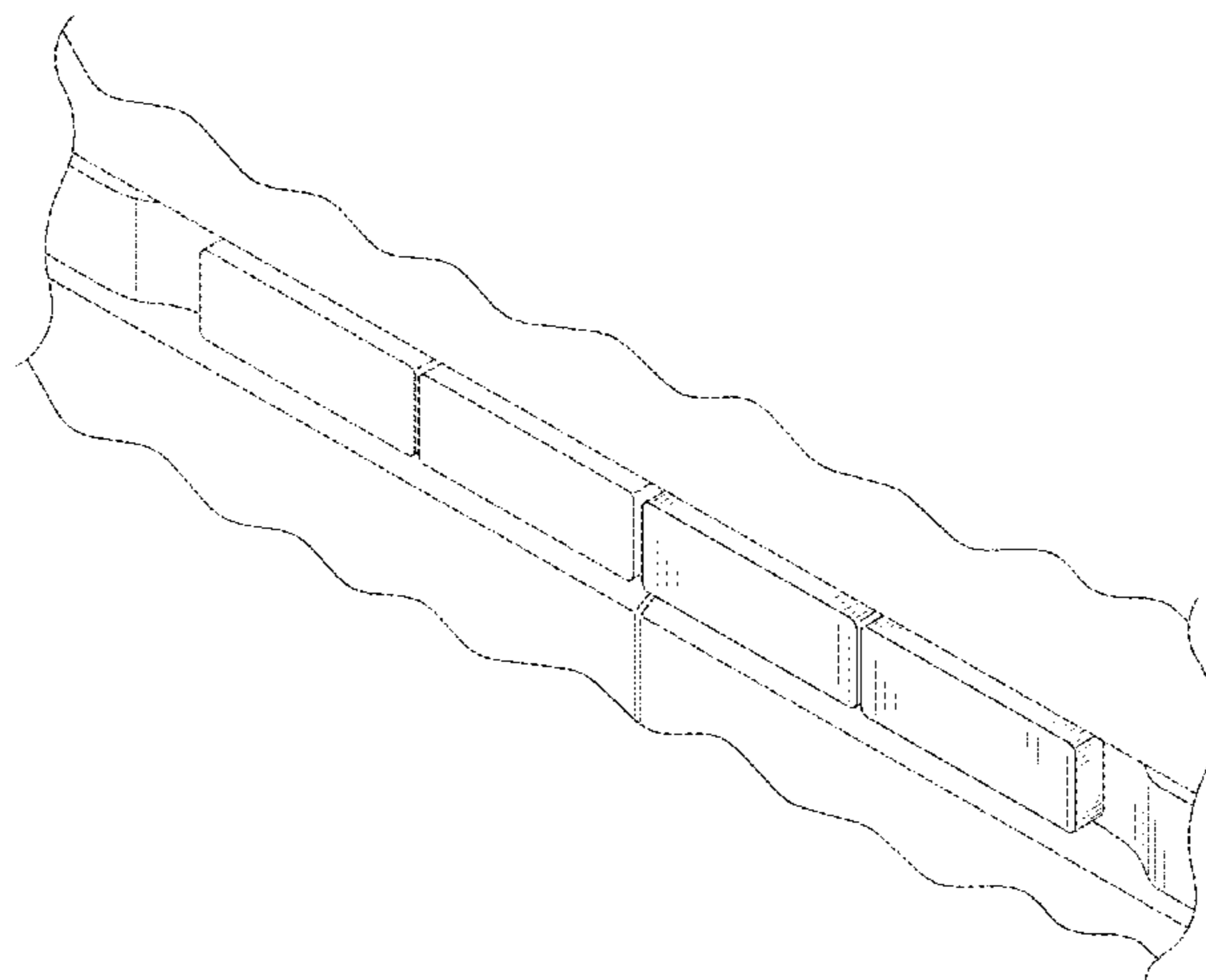
(56) **References Cited**

U.S. PATENT DOCUMENTS

D551,238 S \* 9/2007 O'Neil ..... D14/455  
D629,406 S \* 12/2010 Raken ..... D14/456

(Continued)

**1 Claim, 7 Drawing Sheets**



(58) **Field of Classification Search**

CPC .... E05B 65/463; E05B 65/461; E05B 65/464;  
 E05B 51/00; E05B 35/00; E05B 39/00;  
 E05B 47/0001; E05B 2047/0069; B64D  
 11/04; B64D 11/00; B64D 11/02; B64F  
 5/00; B60N 3/10; A47B 77/14

See application file for complete search history.

2018/0281966	A1*	10/2018	Chuang .....	A47B 46/00
2019/0002105	A1*	1/2019	Moran .....	B64D 11/0007
2019/0210730	A1*	7/2019	Riedel .....	B64D 11/04
2019/0292765	A1*	9/2019	Goeschel .....	E03F 1/006
2019/0308728	A1*	10/2019	McKee .....	B64D 11/00
2020/0314620	A1*	10/2020	Reed .....	H04W 76/14
2021/0061470	A1*	3/2021	Burd .....	B64D 11/0007

(56)

**References Cited**

U.S. PATENT DOCUMENTS

D694,048	S	*	11/2013	Eckert .....	D6/706
D695,293	S	*	12/2013	Dumont .....	D14/392
D751,567	S	*	3/2016	Seoc .....	D14/456
D758,377	S	*	6/2016	Warren .....	D14/457
D766,250	S	*	9/2016	Lukic .....	D14/455
D774,033	S	*	12/2016	Lewis .....	D14/399
D842,924	S	*	3/2019	Rosenberg .....	D17/22
D850,460	S	*	6/2019	Luo .....	D14/455
D882,581	S	*	4/2020	Chan .....	D14/455
D913,198	S	*	3/2021	Sethapun .....	D12/415
D916,711	S	*	4/2021	Akana .....	D14/455
2010/0307350	A1*		12/2010	Cunningham .....	B30B 9/3075 100/35
2018/0016008	A1*		1/2018	Payne .....	B64D 13/06

FOREIGN PATENT DOCUMENTS

EM	001389977-0002	*	11/2013
EM	001389977-0003	*	11/2013
EM	001406938-0002	*	3/2014
EM	007341342-0001	*	12/2019
JP	D1464046	*	10/2012
JP	D1616218	*	9/2018

OTHER PUBLICATIONS

Core77 Design,Airbus SPICE GalleyInnovation,Date first available from wayback date Apr. 22, 2018,[online]retrieved Jul. 7, 2021, available from wayback <https://www.core77.com/firms/FormationDesignGroup/Airbus-SPICE-Galley-Innovation> (Year: 2018).\*

\* cited by examiner

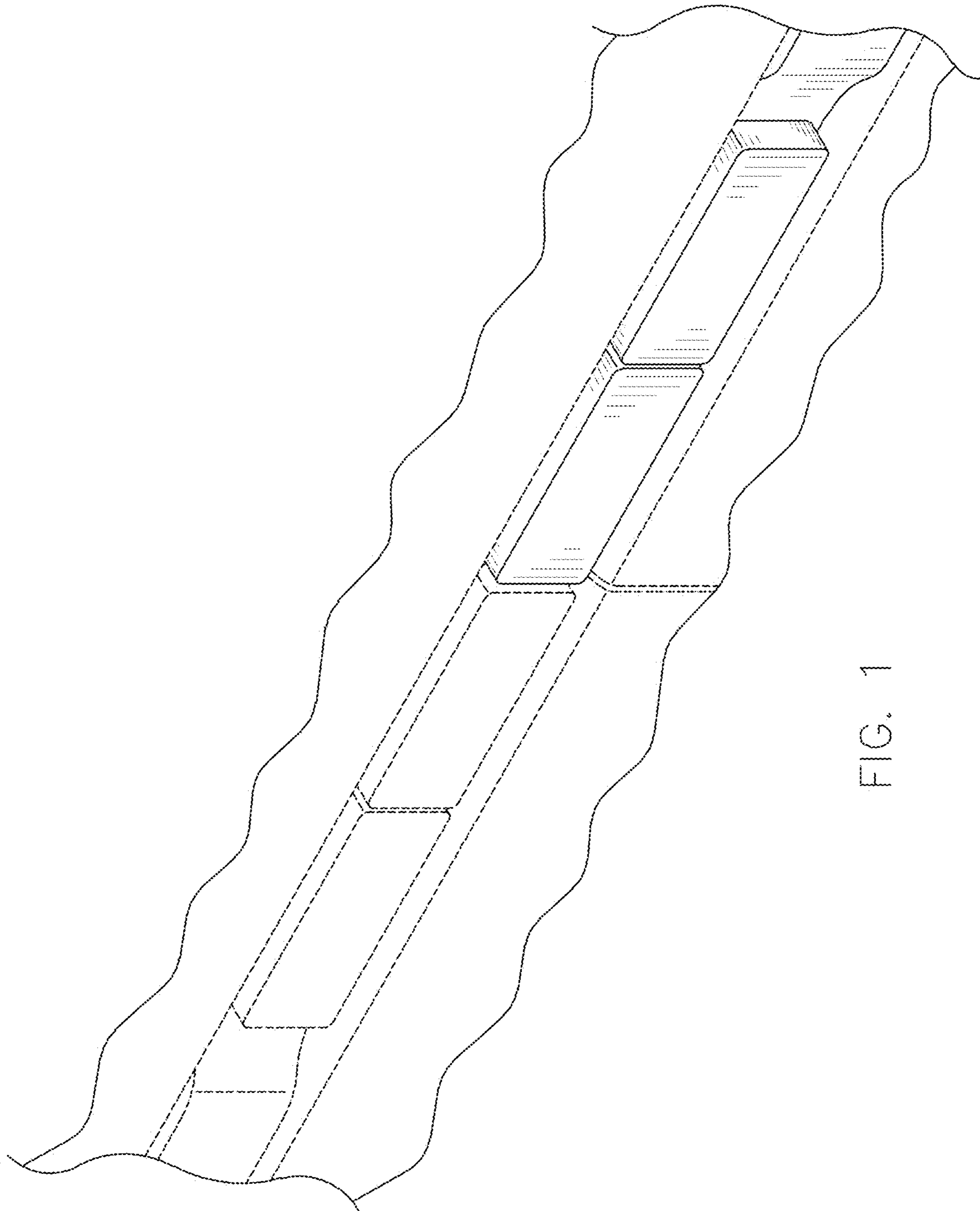


FIG. 1

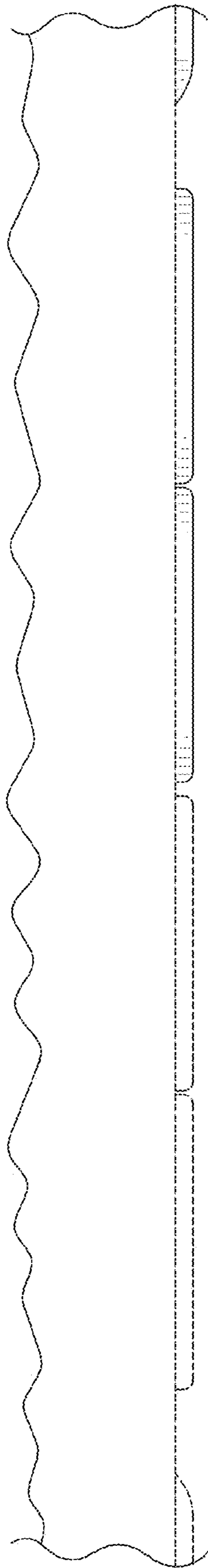


FIG. 2

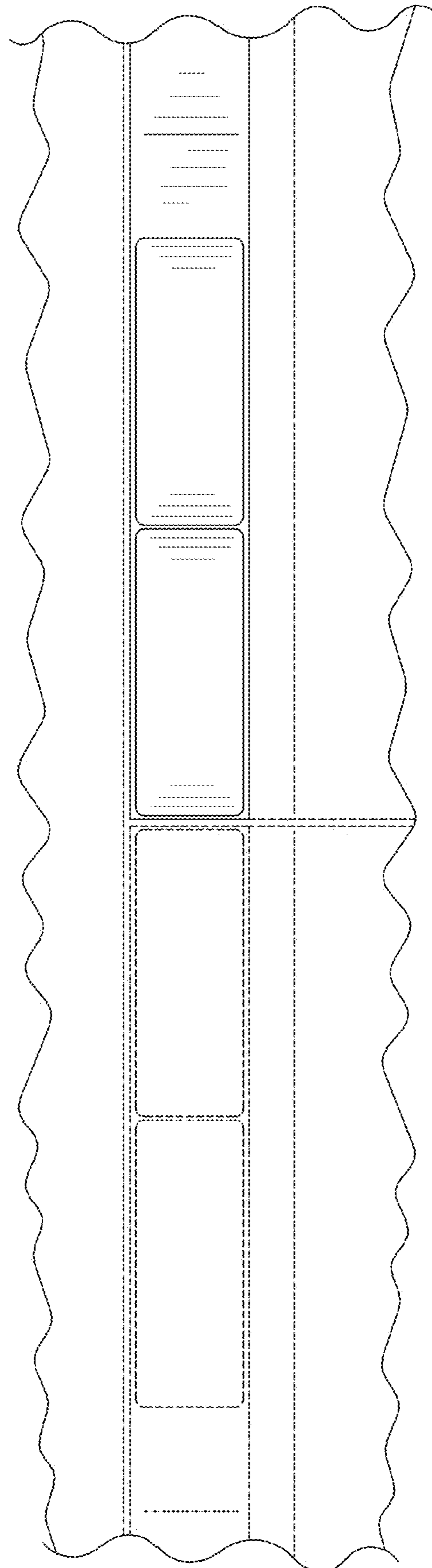


FIG. 3



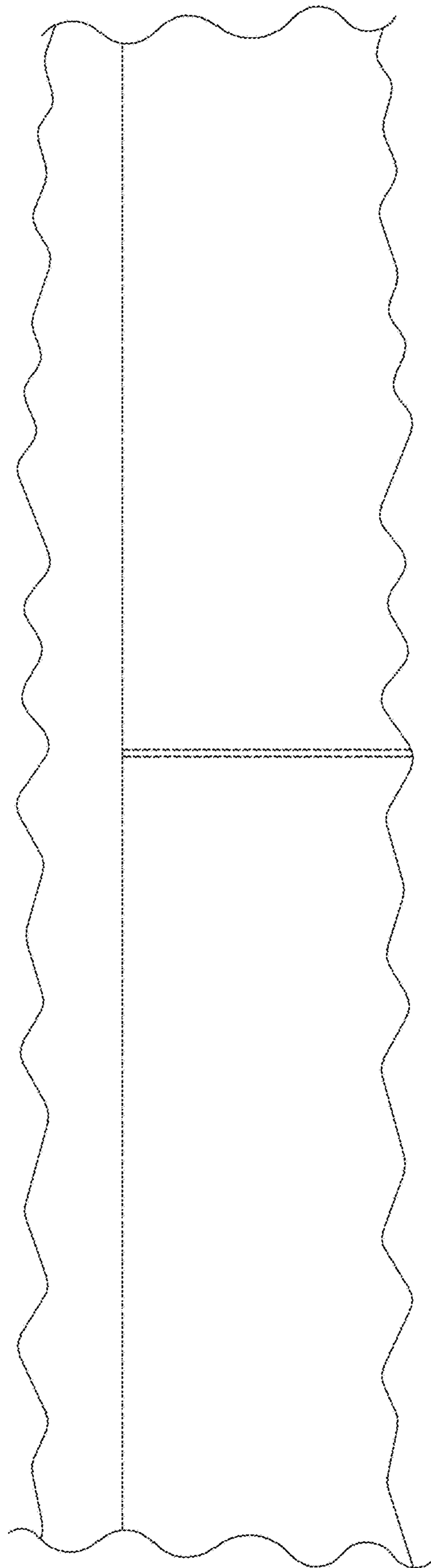


FIG. 4

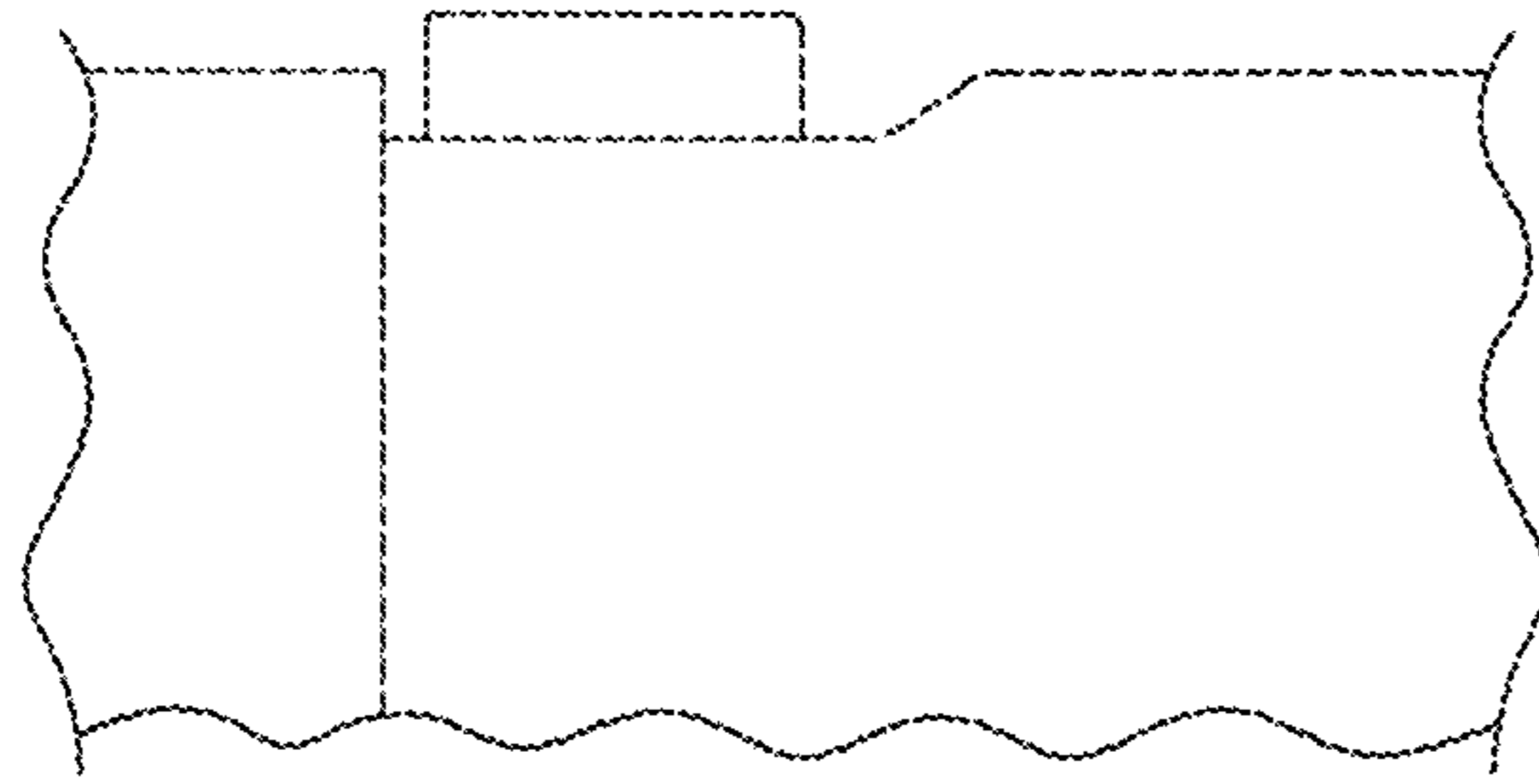


FIG. 5

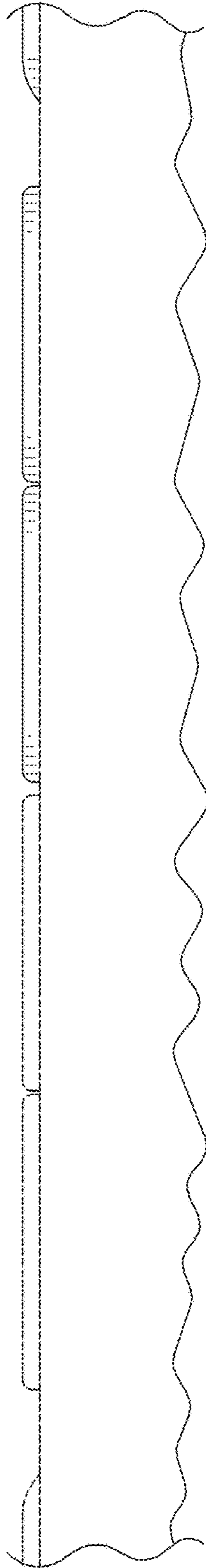


FIG. 6



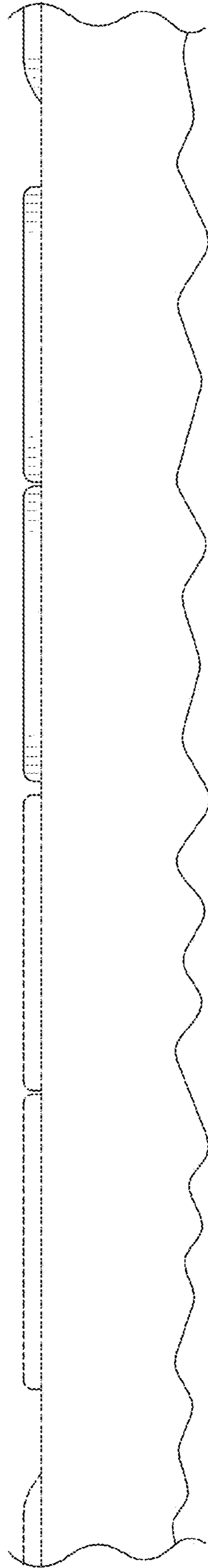


FIG. 7