



US00D945850S

(12) **United States Design Patent** (10) **Patent No.:** **US D945,850 S**
Li (45) **Date of Patent:** **** Mar. 15, 2022**

(54) **SCREWDRIVER SET WITH KEY RING** 7,249,543 B1 * 7/2007 Pomerantz B25B 15/00
7/165
(71) Applicant: **Defan Li**, Wugang (CN) D785,434 S 5/2017 Lee
D804,165 S * 12/2017 Parker D3/210
(72) Inventor: **Defan Li**, Wugang (CN) 2016/0279768 A1 * 9/2016 Chen B25B 13/56
2017/0066117 A1 * 3/2017 Hawker A45D 29/04
2018/0215027 A1 * 8/2018 Holm, Jr. B25B 13/481
(*) Notice: Patent file contains an affidavit/declaration
under 37 CFR 1.130(b).

(**) Term: **15 Years**

(21) Appl. No.: **29/767,980**

(22) Filed: **Jan. 27, 2021**

(51) **LOC (13) Cl.** **08-04**

(52) **U.S. Cl.**
USPC **D8/82**

(58) **Field of Classification Search**
USPC D8/14, 17, 19, 82, 83, 84, 85, 105
CPC B25B 15/00; B25B 15/001; B25B 15/002;
B25B 15/005; B25B 15/007
See application file for complete search history.

(56) **References Cited**

U.S. PATENT DOCUMENTS

D167,058 S *	6/1952	Rhodes	D8/85
D206,852 S *	1/1967	Hedu	D8/85
D229,390 S *	11/1973	Hart	D8/85
D339,047 S *	9/1993	Henderson	D8/19
D344,664 S *	3/1994	Malkinson	D8/85
D395,587 S *	6/1998	Magers	D8/82
D440,478 S	4/2001	Jan		
D528,880 S *	9/2006	Belflower	D8/16

OTHER PUBLICATIONS

Luca Elf Aid Portable screwdriver set, published on AMAZON.com
Jul. 15, 2020.*
Poswlto Portable screwdriver set, published on AMAZON.com
Dec. 4, 2018.*

* cited by examiner

Primary Examiner — Philip S Hyder

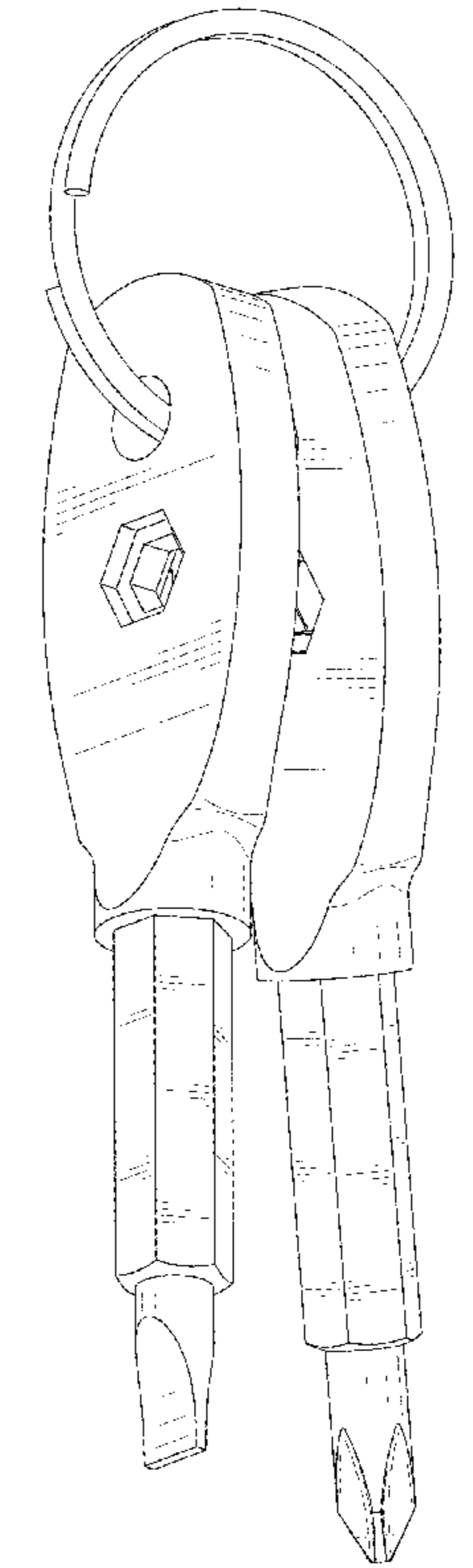
(57) **CLAIM**

The ornamental design for a screwdriver set with key ring,
as shown and described.

DESCRIPTION

FIG. 1 is a perspective view of a screwdriver set with key
ring showing my new design;
FIG. 2 is another perspective view thereof;
FIG. 3 is a front elevational view thereof;
FIG. 4 is a rear elevational view thereof;
FIG. 5 is a left side elevational view thereof;
FIG. 6 is a right side elevational view thereof;
FIG. 7 is a top plan view thereof; and,
FIG. 8 is a bottom plan view thereof.

1 Claim, 8 Drawing Sheets



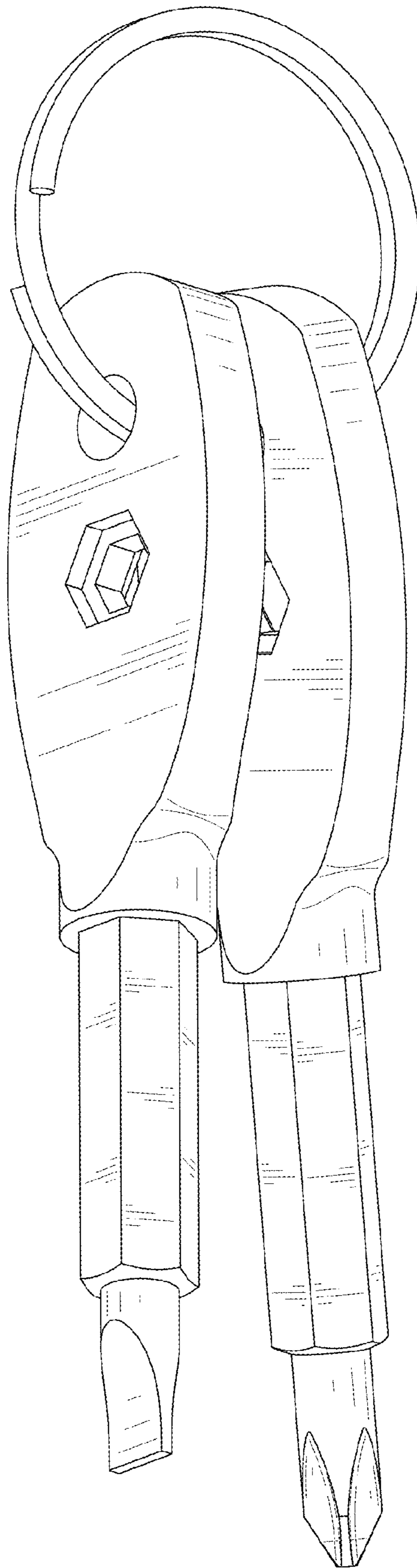


FIG. 1

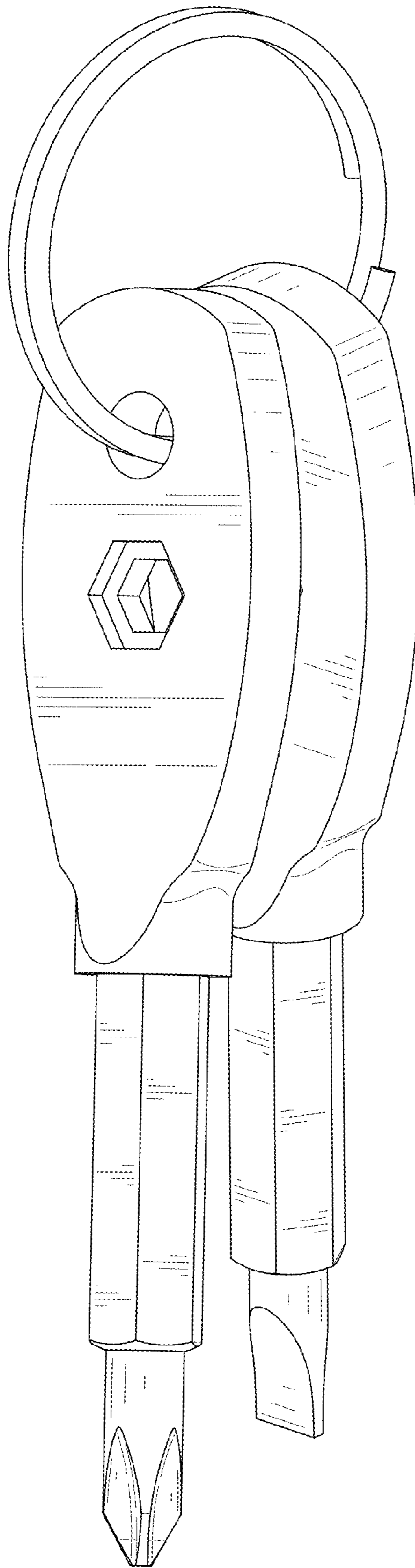


FIG. 2

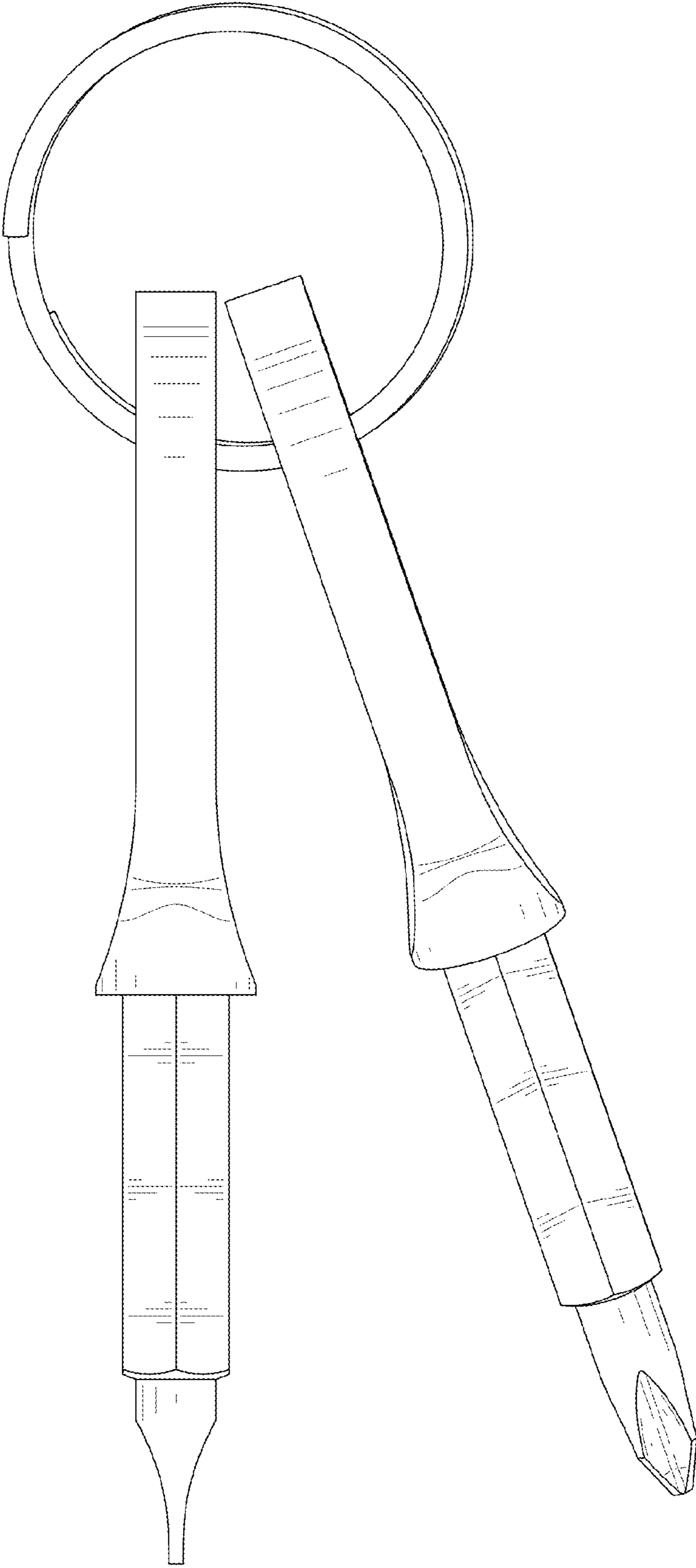


FIG. 3

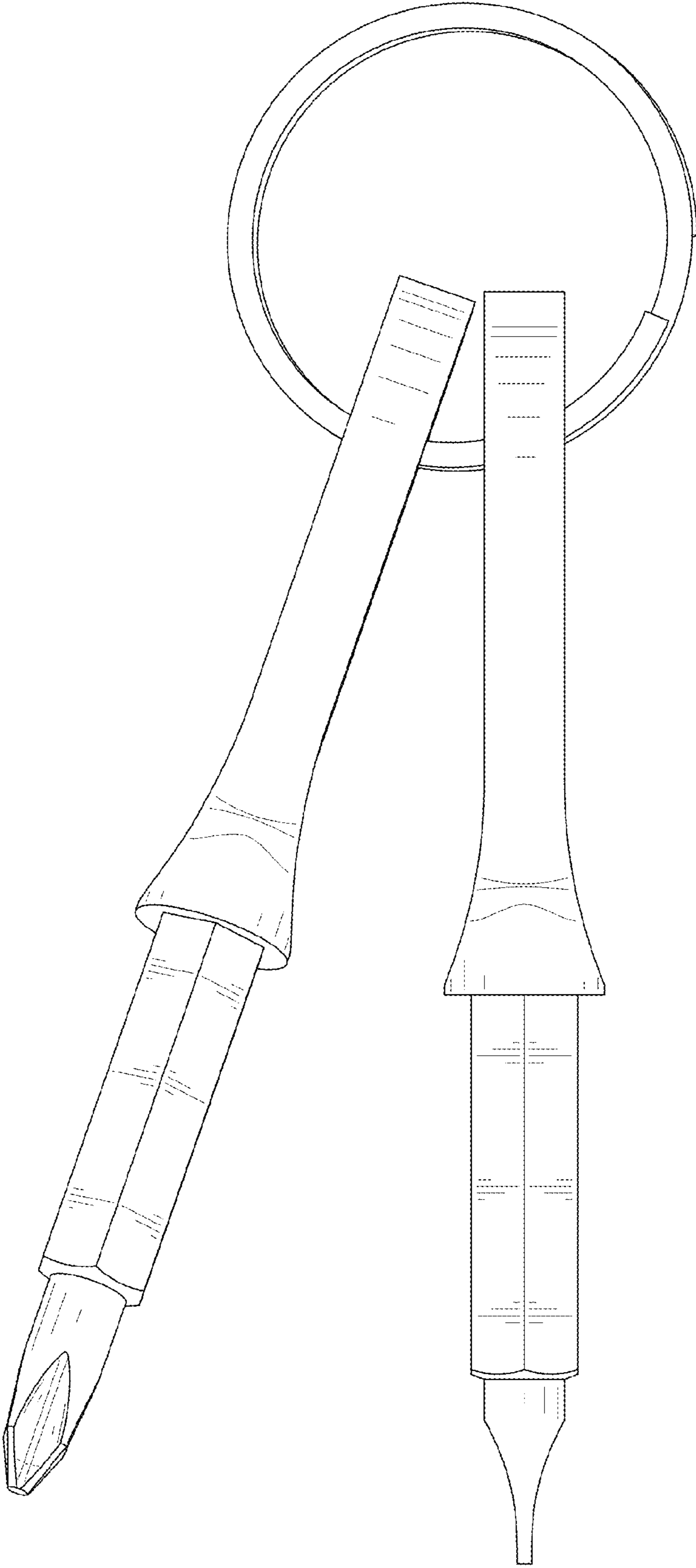


FIG. 4

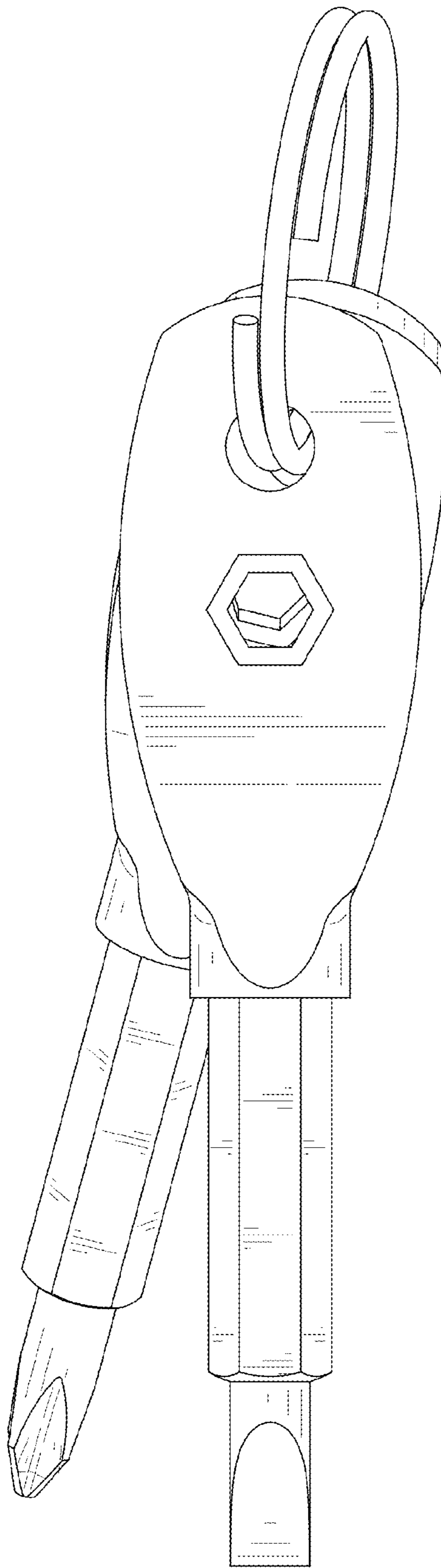


FIG. 5

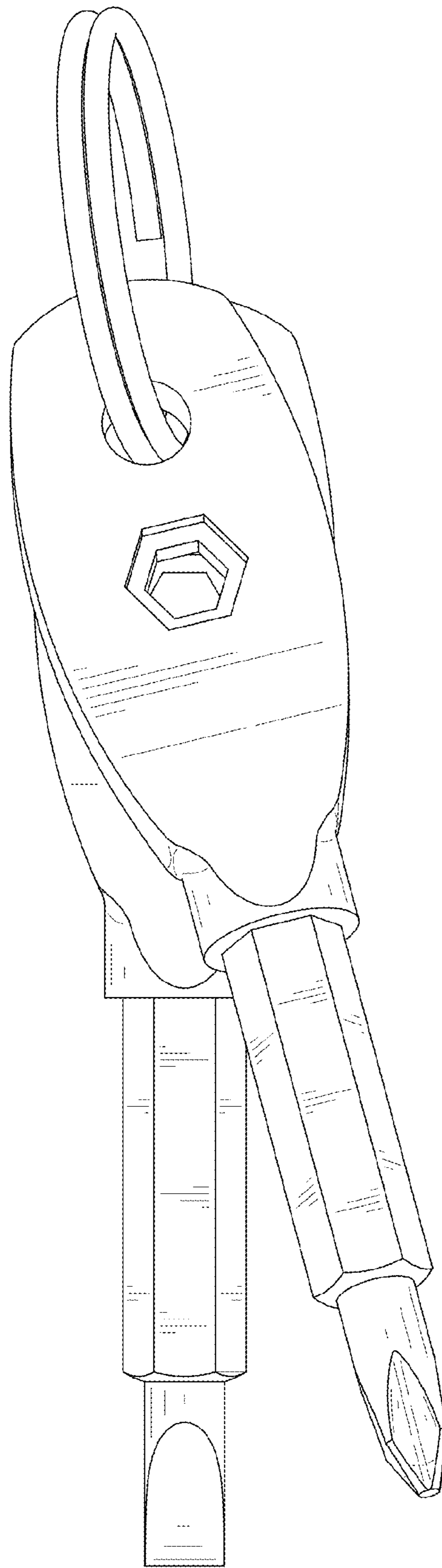


FIG. 6

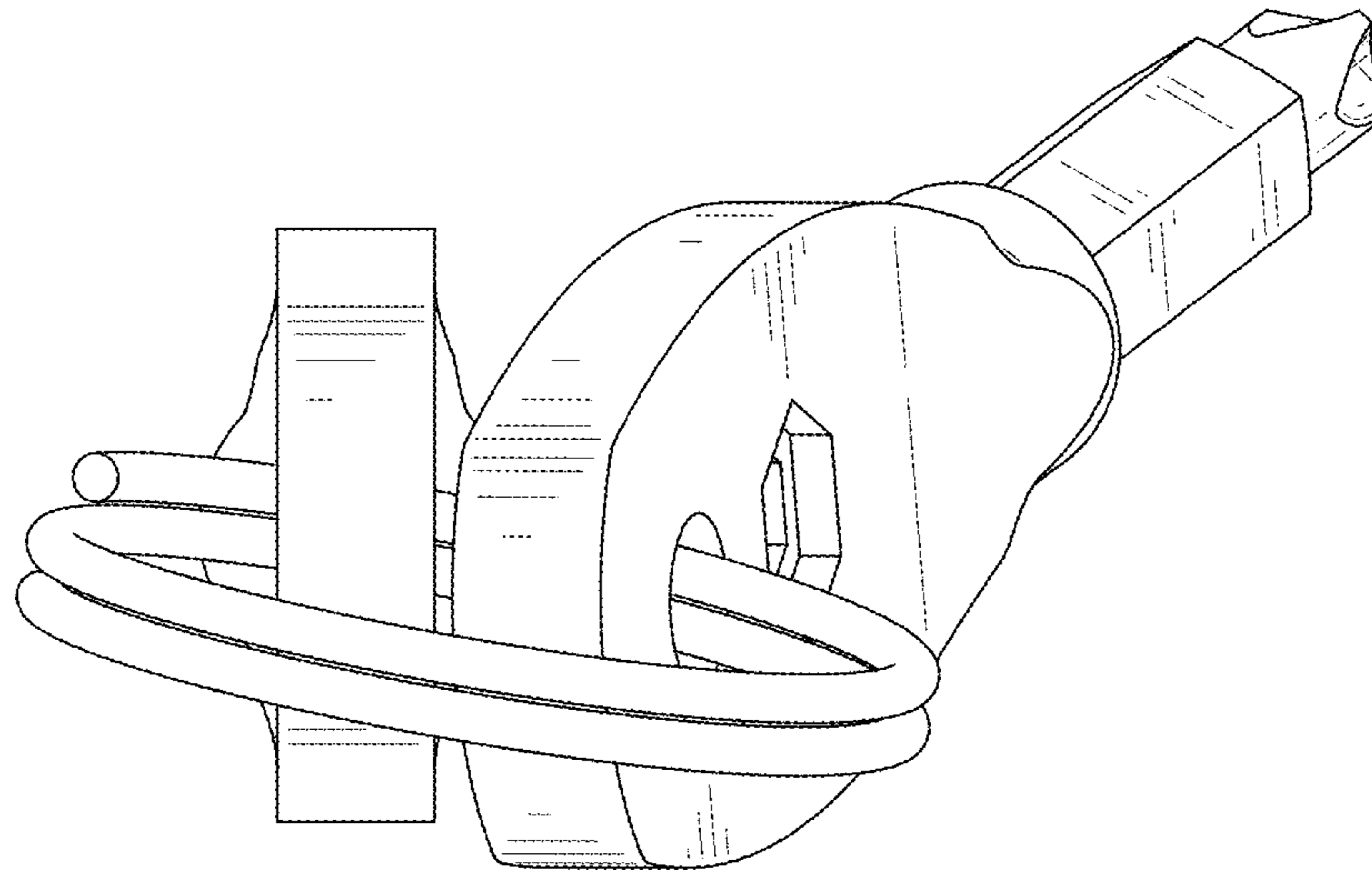


FIG. 7

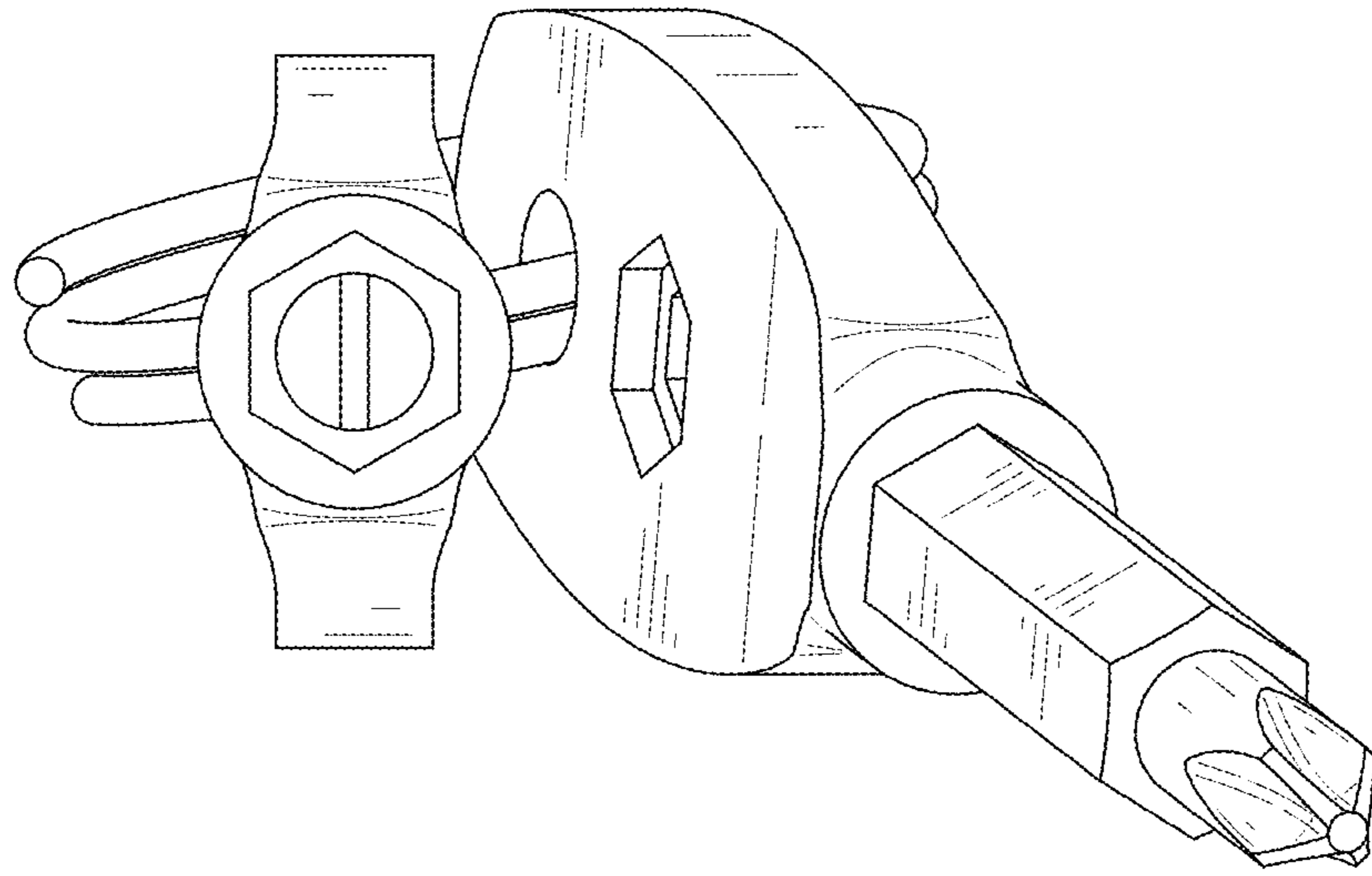


FIG. 8