



US00D945849S

(12) **United States Design Patent**
Chen

(10) **Patent No.:** **US D945,849 S**
(45) **Date of Patent:** **** Mar. 15, 2022**

(54) **CLAMP**
(71) Applicant: **Chien-San Chen**, Taichung (TW)
(72) Inventor: **Chien-San Chen**, Taichung (TW)
(**) Term: **15 Years**
(21) Appl. No.: **29/753,794**
(22) Filed: **Oct. 1, 2020**
(51) **LOC (13) Cl.** **08-05**
(52) **U.S. Cl.**
USPC **D8/72**
(58) **Field of Classification Search**
USPC D8/71-74, 394-399, 59; 248/63, 72,
248/74.1, 689, 124.2; 81/487, 385, 386,
81/388-390; 269/3, 4, 6, 143, 165, 240,
269/243, 246-249, 254 R, 147-149;
29/256, 257, 276; 408/103, 104-109
CPC B25B 1/00; B25B 5/00
See application file for complete search history.

7,090,209 B1 * 8/2006 Rowlay B25B 5/068
269/249
7,172,183 B1 * 2/2007 Yang B25B 5/068
269/3
7,513,492 B1 * 4/2009 Kuo B25B 5/068
269/3
D668,127 S * 10/2012 Yang D8/72
8,430,383 B2 * 4/2013 Strauss B25B 5/068
269/5
8,827,251 B2 * 9/2014 Kuo B25B 5/163
269/6
8,850,672 B2 * 10/2014 Yang F16B 2/12
24/524
8,882,093 B2 * 11/2014 Kuo B25B 5/068
269/6
D740,639 S * 10/2015 Wang D8/72

* cited by examiner

Primary Examiner — David G Muller

(57) **CLAIM**

The ornamental design for a clamp, as shown and described.

DESCRIPTION

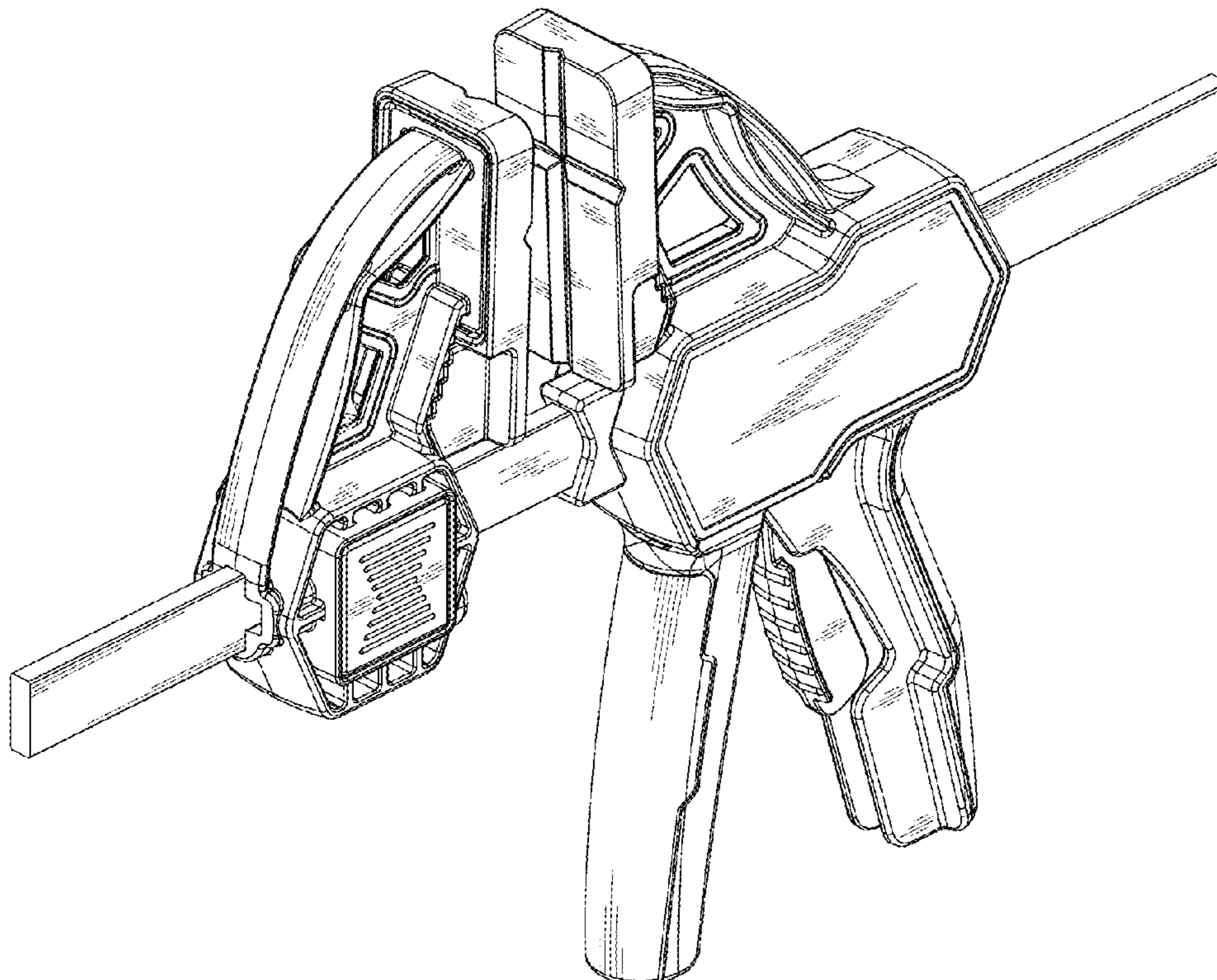
FIG. 1 is a perspective view of a clamp showing my new design;
FIG. 2 is a front side view thereof;
FIG. 3 is a back side view thereof;
FIG. 4 is a left side view thereof;
FIG. 5 is a right side view thereof;
FIG. 6 is a top plan view thereof; and,
FIG. 7 is a bottom plan view thereof.

1 Claim, 5 Drawing Sheets

(56) **References Cited**

U.S. PATENT DOCUMENTS

5,988,616 A * 11/1999 Fuller B25B 5/163
269/147
6,585,243 B1 * 7/2003 Li B25B 5/068
269/171.5
6,648,315 B1 * 11/2003 Lee B25B 5/068
269/166
7,017,894 B1 * 3/2006 Lin B25B 5/068
269/171.5



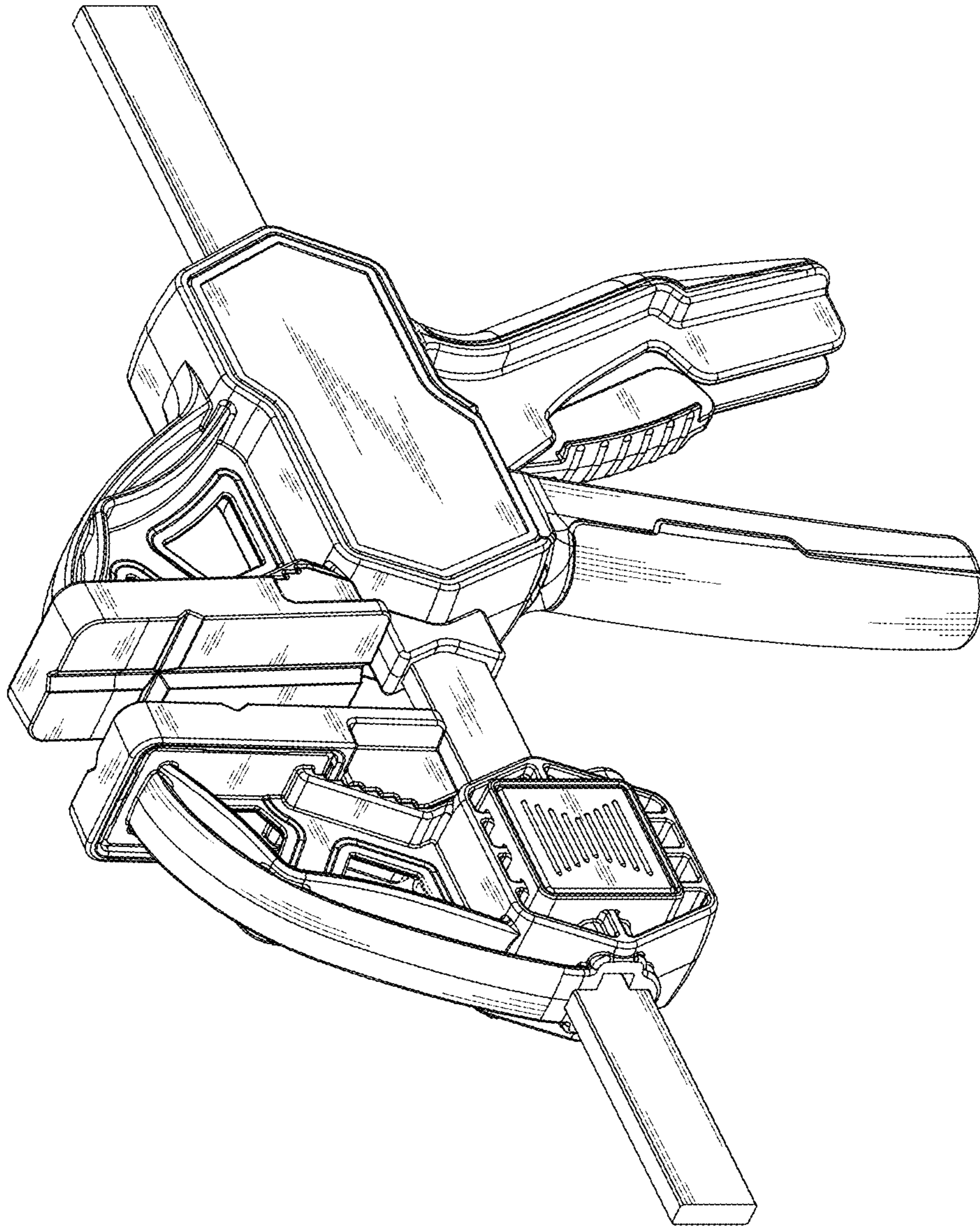


FIG. 1

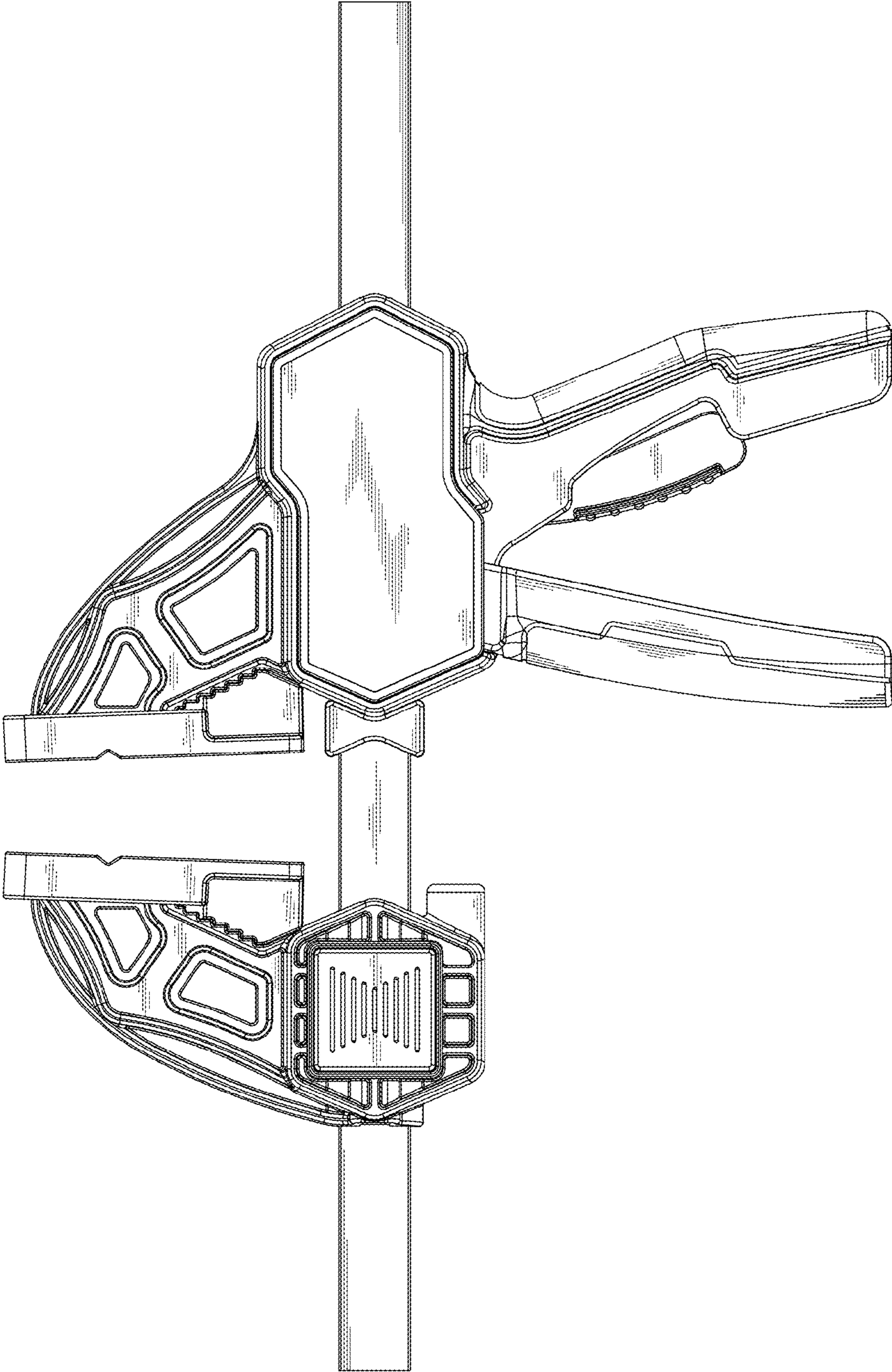


FIG. 2

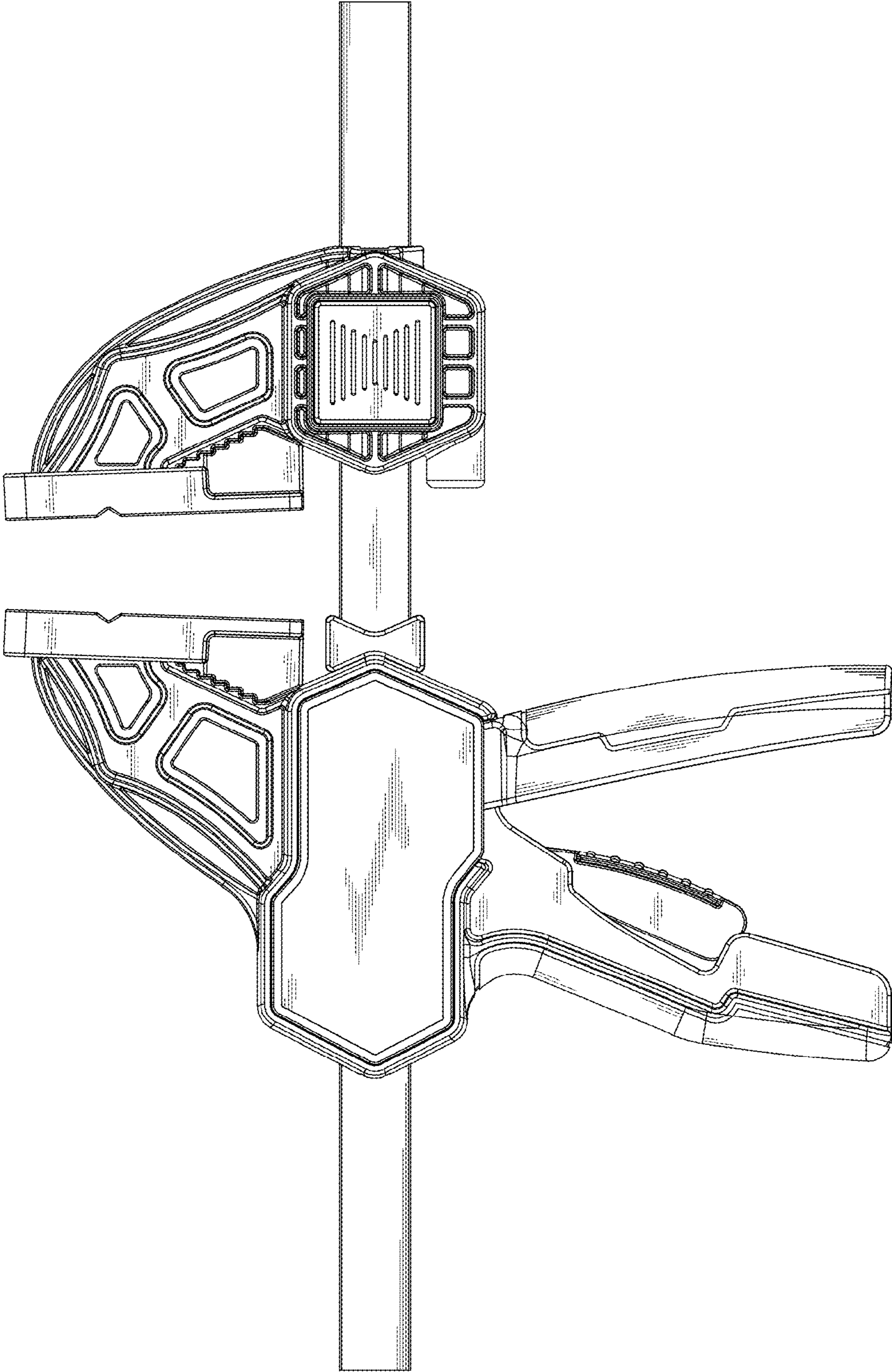


FIG. 3

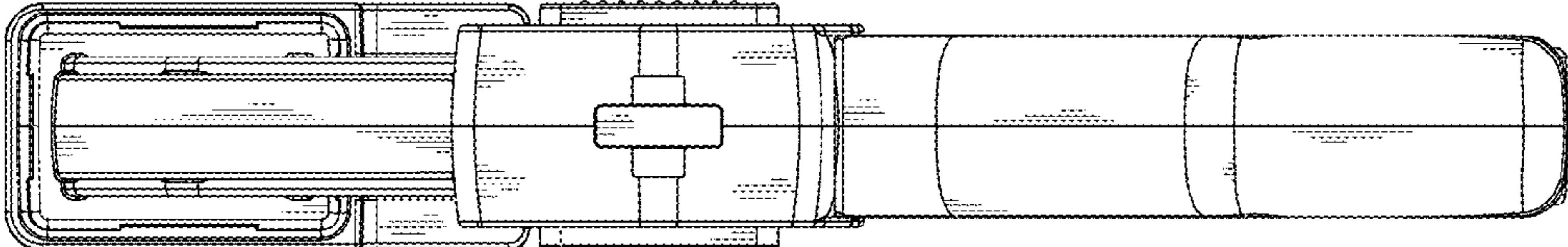


FIG. 5

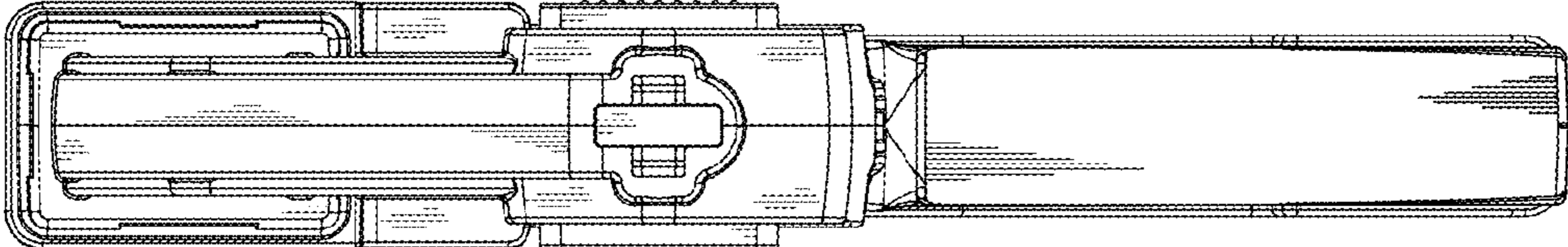


FIG. 4

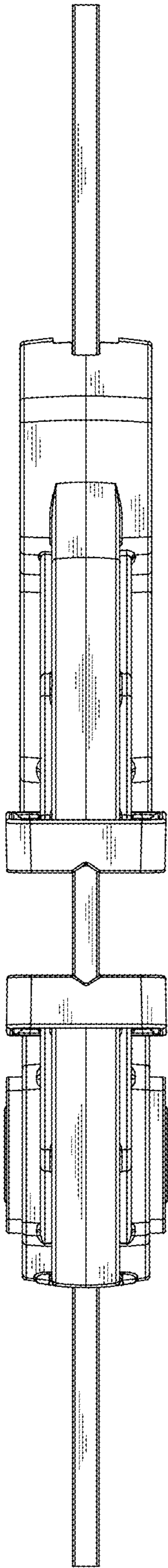


FIG. 6

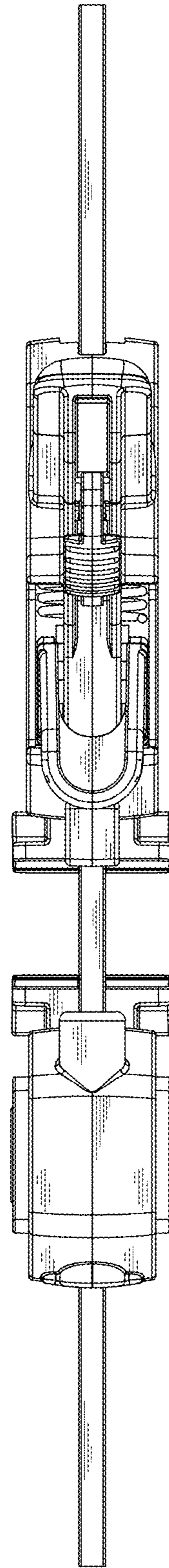


FIG. 7