



US00D945848S

(12) **United States Design Patent**  
**Maring**

(10) **Patent No.:** **US D945,848 S**

(45) **Date of Patent:** **\*\* Mar. 15, 2022**

(54) **PAD FOR THE JAWS OF A CLAMP**

(71) Applicant: **Matt Maring**, North Bergen, NJ (US)

(72) Inventor: **Matt Maring**, North Bergen, NJ (US)

(\*\*) Term: **15 Years**

(21) Appl. No.: **29/731,908**

(22) Filed: **Apr. 20, 2020**

(51) **LOC (13) Cl.** ..... **08-05**

(52) **U.S. Cl.**  
USPC ..... **D8/72; D8/499**

(58) **Field of Classification Search**  
USPC ..... D8/70-72, 371-377, 380-381, 394-398,  
D8/499; D15/140

CPC ..... B25B 1/00; B25B 1/2452; B25B 5/163;  
B25B 5/163; B25B 13/58

See application file for complete search history.

(56) **References Cited**

**U.S. PATENT DOCUMENTS**

- 2,519,107 A \* 8/1950 Brown ..... B63H 20/02  
269/275
- 2,766,649 A \* 10/1956 Labry, Jr. .... B25B 13/58  
81/185.1
- 2,778,257 A \* 1/1957 Linskey ..... B25B 1/2452  
269/274
- 2,796,787 A \* 6/1957 Aske ..... B25B 1/2452  
269/274
- 4,252,305 A \* 2/1981 Pasch ..... B25B 1/2452  
269/274
- D274,034 S \* 5/1984 Lacina ..... D8/72
- 4,569,511 A \* 2/1986 Bell, Jr. .... B25B 1/2452  
269/276
- 5,078,372 A \* 1/1992 Fitzpatrick ..... B25B 1/2452  
269/282
- 5,143,359 A \* 9/1992 Bush ..... B25B 5/163  
269/261
- D331,180 S \* 11/1992 Sorensen ..... D8/72
- D340,851 S \* 11/1993 Sorensen ..... D8/499

- D341,069 S \* 11/1993 Sorensen ..... D8/499
- D357,165 S \* 4/1995 Sorensen ..... D8/72
- D380,219 S \* 6/1997 Kinnard ..... D15/140
- 5,988,616 A \* 11/1999 Fuller ..... B25B 5/163  
269/147
- 6,029,964 A \* 2/2000 Bohl ..... B25B 5/163  
269/166

(Continued)

**OTHER PUBLICATIONS**

“Pony Jorgenson Clamp Pads”, Apr. 1, 2004, Amazon.com, site visited Oct. 6, 2021: <https://www.amazon.com/Jorgensen-7437-Work-Protecting-Clamp/dp/B0000DD1R1> (Year: 2004).\*

(Continued)

*Primary Examiner* — Jack Reickel

*Assistant Examiner* — Michael A Kervin

(74) *Attorney, Agent, or Firm* — Lombard & Geliebter  
LLP; Eric J. Huang

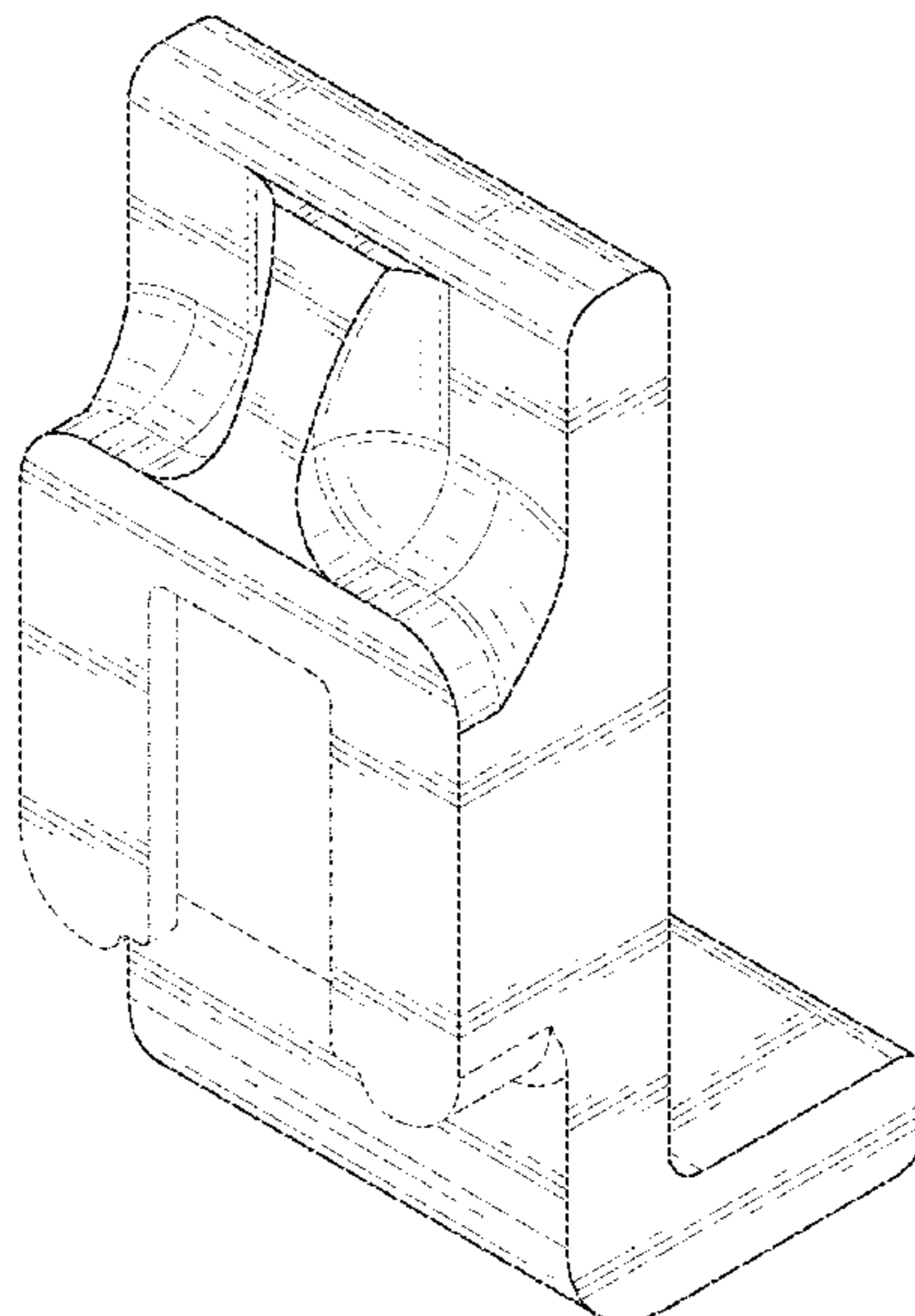
(57) **CLAIM**

The ornamental design for a pad for the jaws of a clamp, as shown and described.

**DESCRIPTION**

FIG. 1 is a front, top side perspective view of a pad for the jaws of a clamp showing my new design;  
FIG. 2 is a front, bottom side perspective view thereof;  
FIG. 3 is a rear, top side perspective view thereof;  
FIG. 4 is a rear elevation view thereof;  
FIG. 5 is a front elevation view thereof;  
FIG. 6 is a right side elevation view thereof, with the left side elevation view being a mirror image;  
FIG. 7 is a top plan view thereof; and,  
FIG. 8 is a bottom plan view thereof.  
Broken lines are included in the figure drawings to show portions of the article not claimed and form no part of the claimed design.

**1 Claim, 8 Drawing Sheets**



(56)

**References Cited**

U.S. PATENT DOCUMENTS

6,347,791 B1 \* 2/2002 Chervenak ..... B25B 5/068  
269/166  
8,047,517 B2 \* 11/2011 Iacobelli ..... B25B 1/2452  
269/277  
D730,142 S \* 5/2015 Shapiro ..... D8/72  
9,302,374 B1 \* 4/2016 Cusenza ..... B25B 13/58

OTHER PUBLICATIONS

“Bessey Pipe Clamp with Pads”, Jul. 30, 2015, Amazon.com, site visited Oct. 6, 2021: <https://www.amazon.com/Bessey-PC34-2-Clamp-Throat-Depth/dp/B013UNVAG6> (Year: 2015).\*

“Pipe-Clamp Pads Do Double-Duty”, Sep. 30, 2015, FineWoodworking.com, site visited Oct. 6, 2021: <https://www.finewoodworking.com/2015/09/30/pipe-clamp-pads-do-double-duty> (Year: 2015).\*

\* cited by examiner

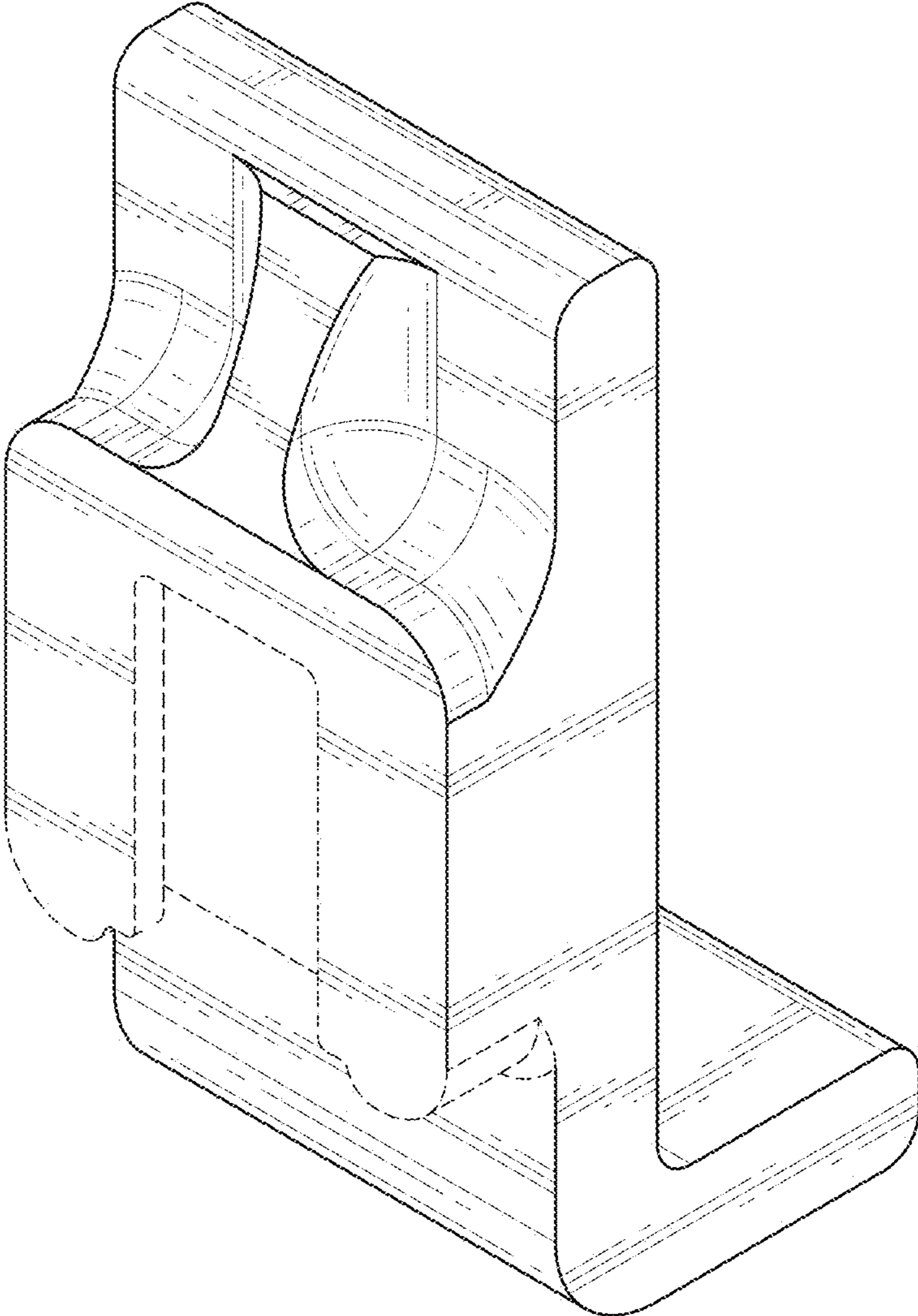


FIG. 1

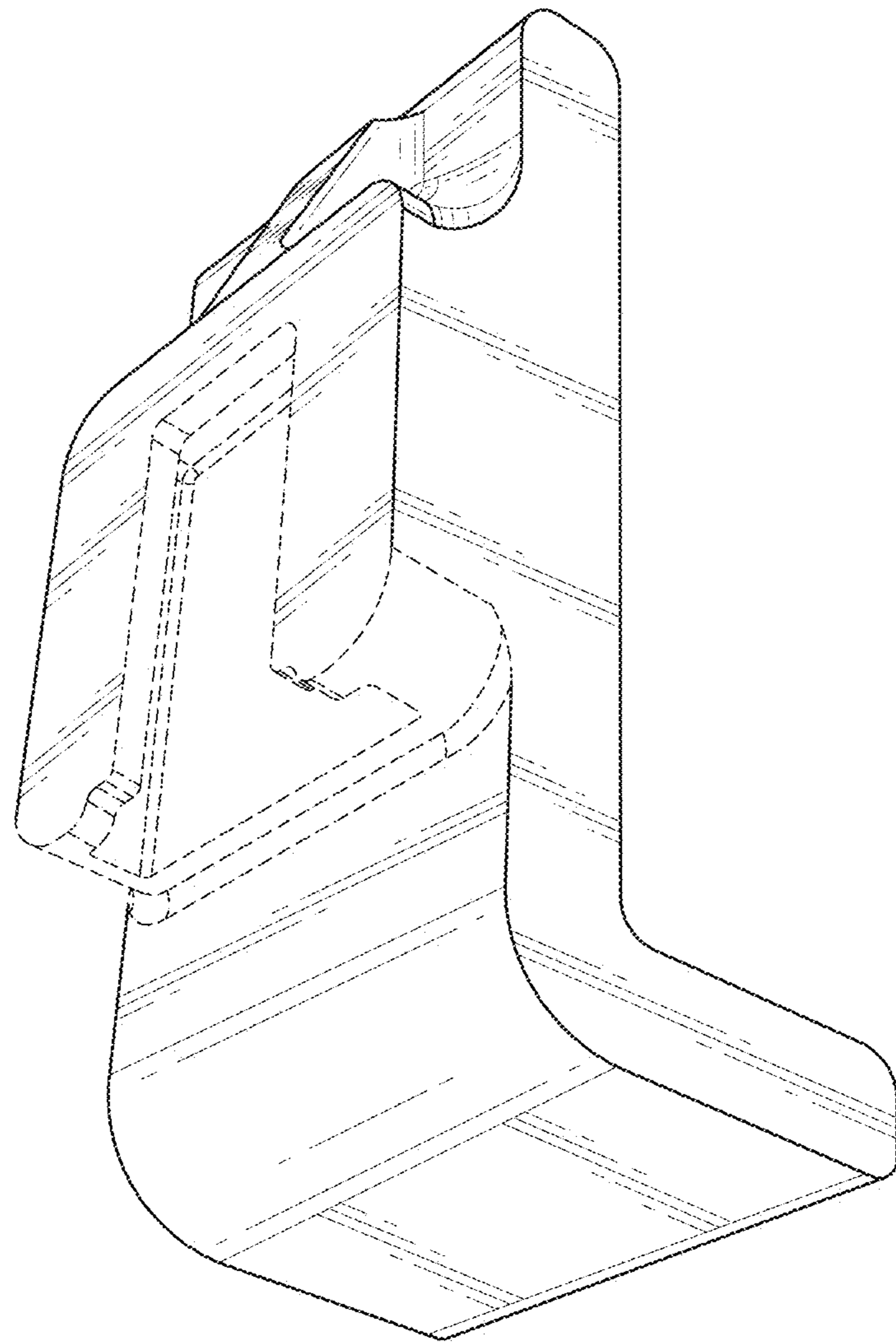


FIG. 2

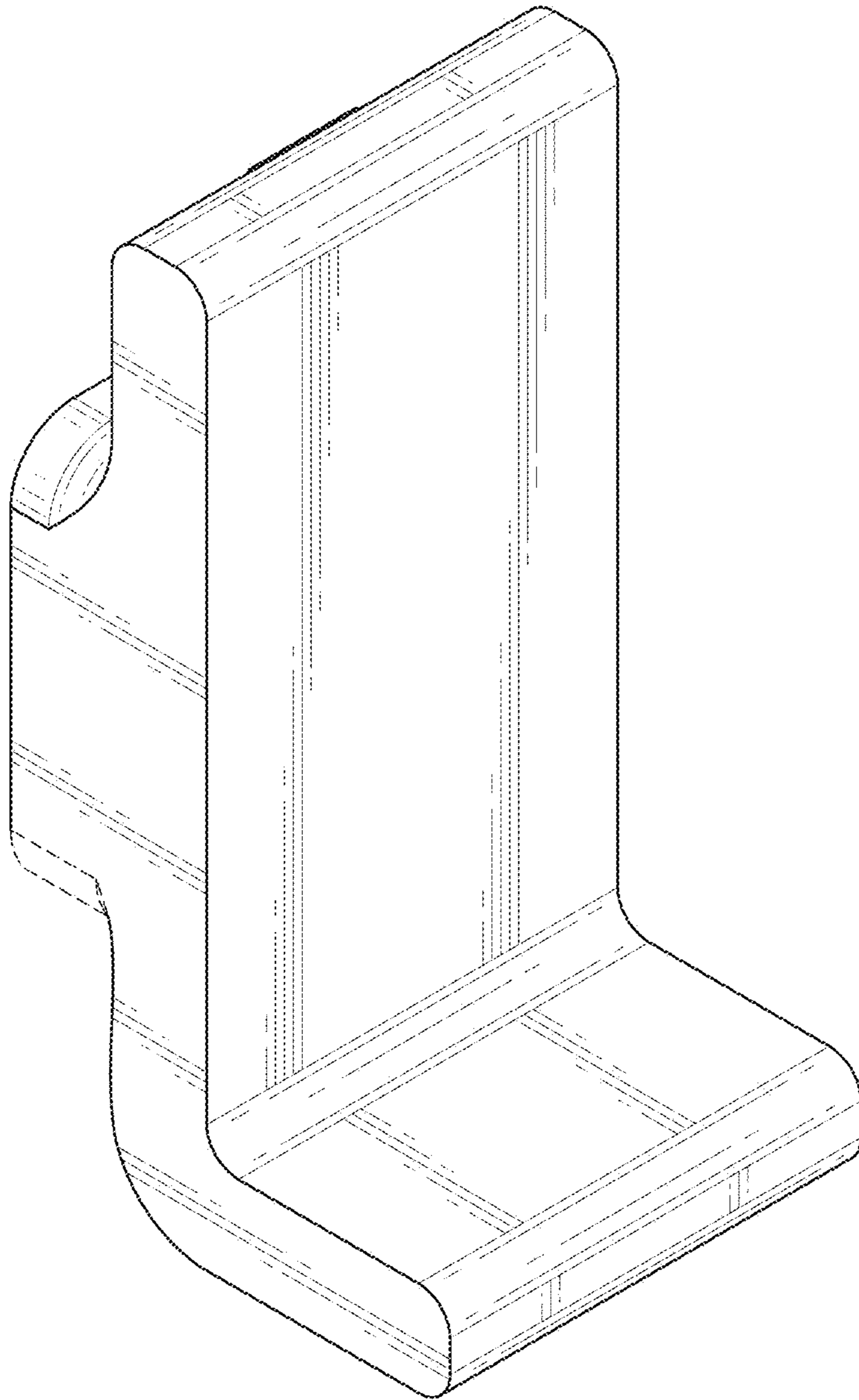


FIG. 3

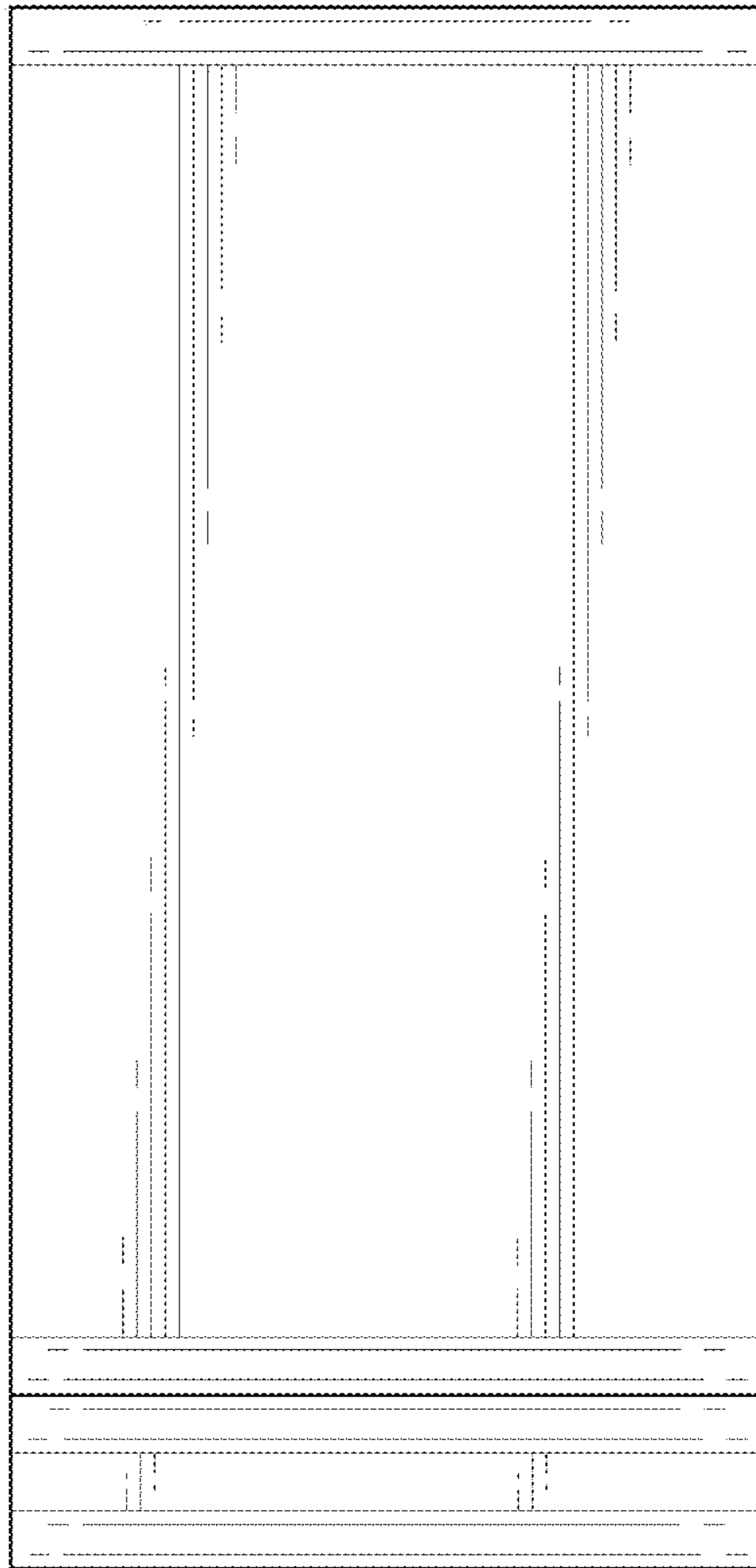


FIG. 4

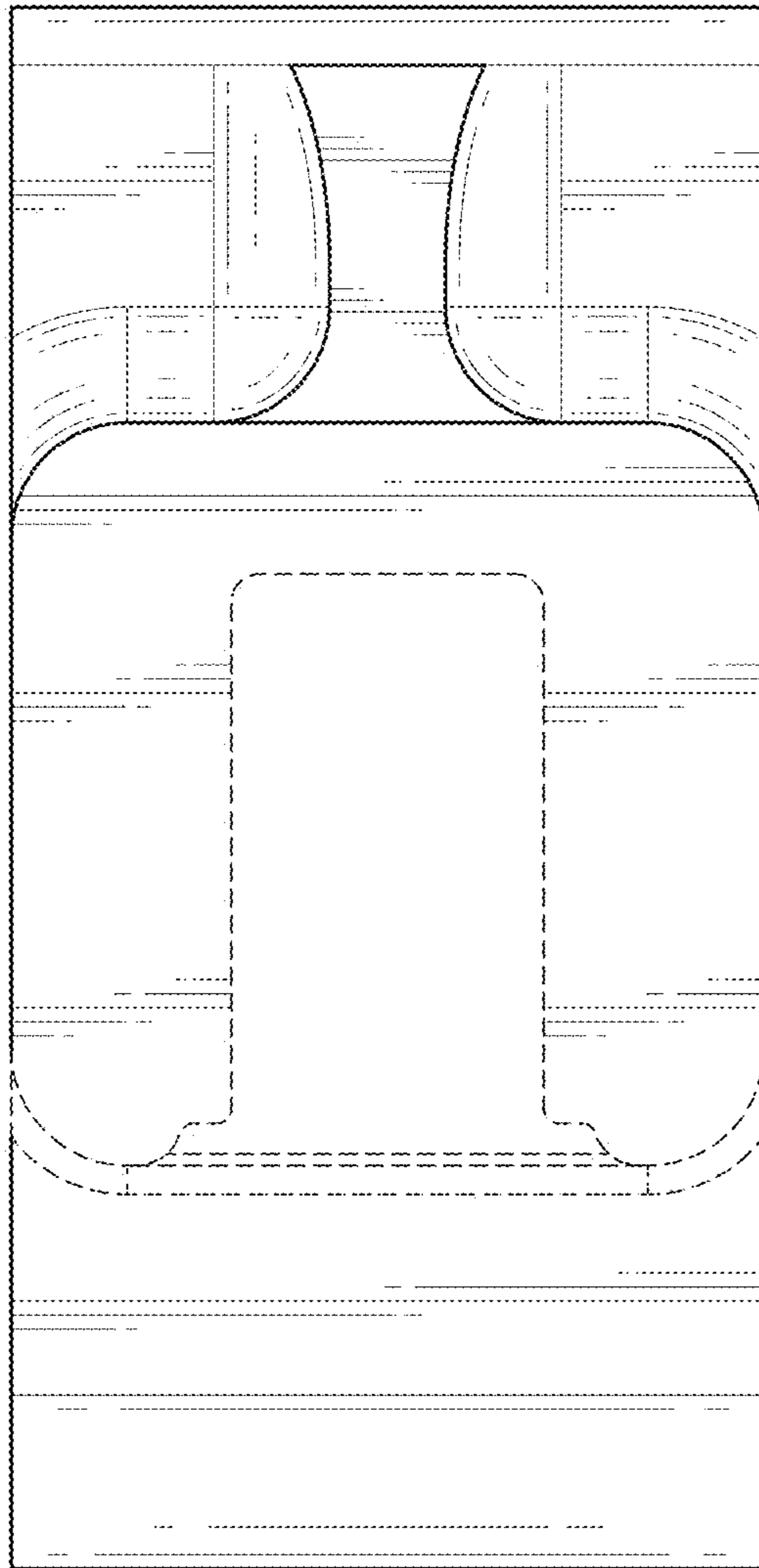


FIG. 5

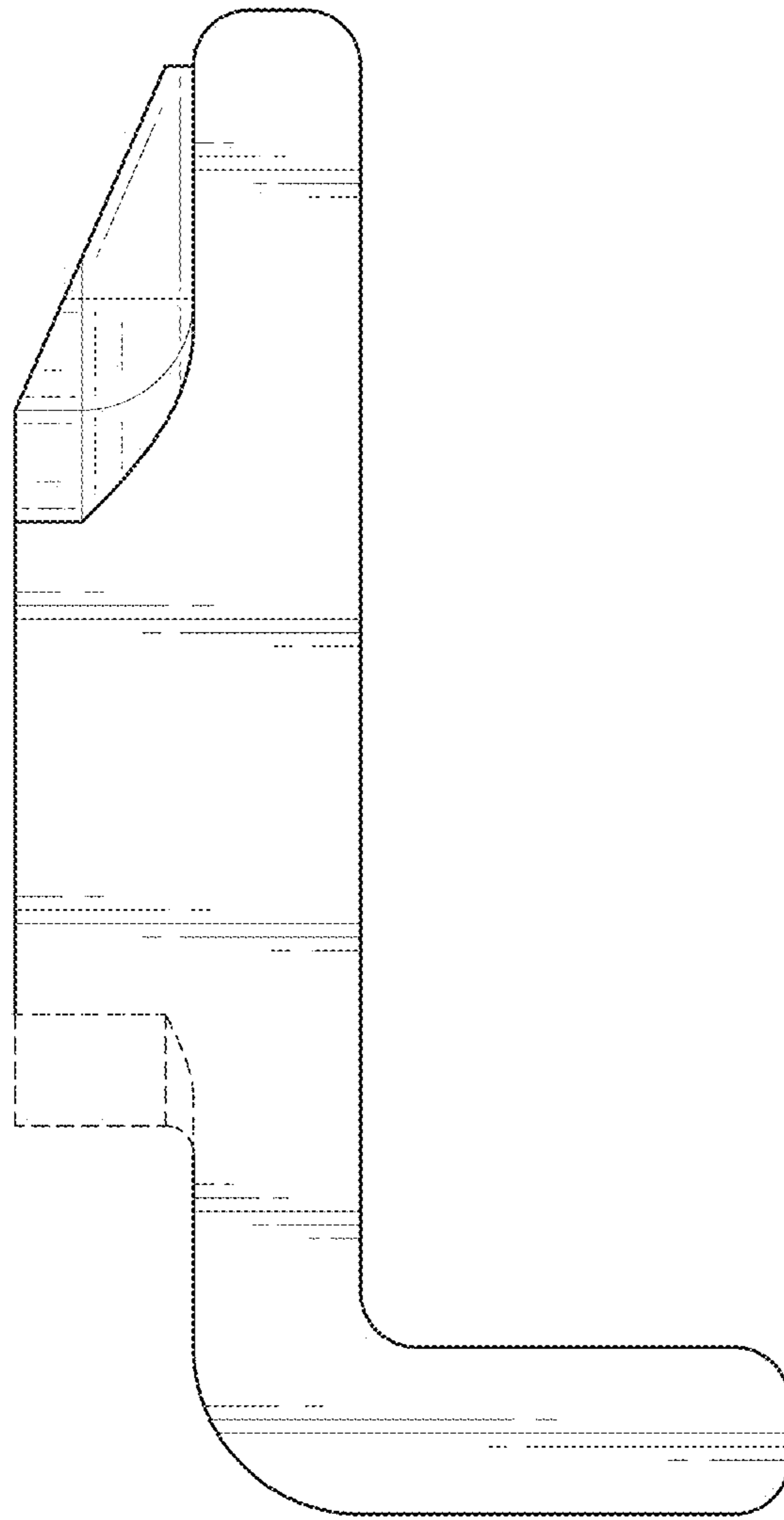


FIG. 6



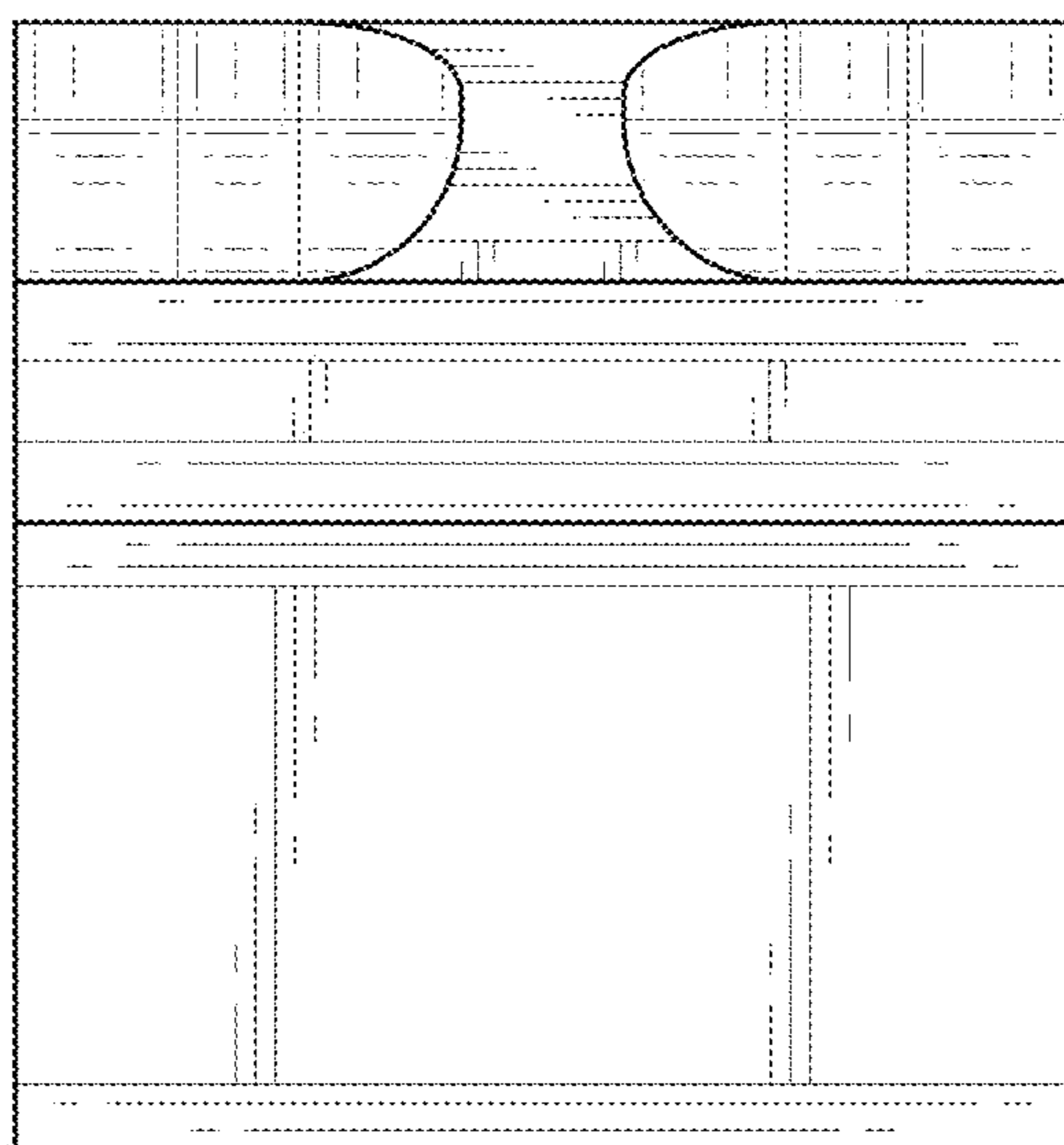


FIG. 7

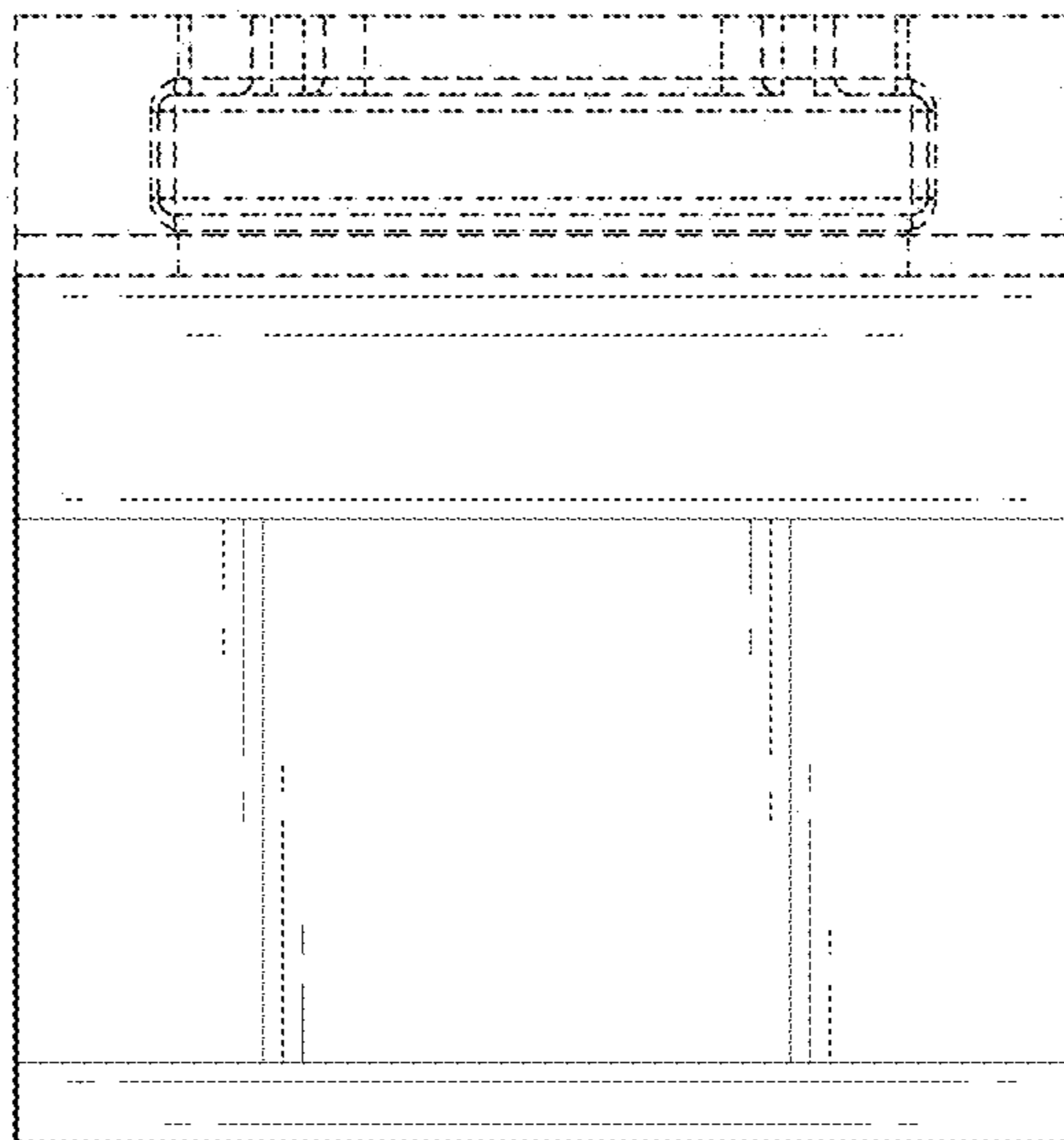


FIG. 8